



Coding Your Ideas and Innovations

CP9000 SERIES

Small Character Inkjet Printer



CP9000 SERIES

Small Character Inkjet Printer

The CP9000 series of CIJ printers offer manufacturers with the simplest, most reliable and most efficient coding solution, with a rich production line speed, minimal maintenance and increased efficiency.

SOFTWARE

- Prompt response, Skeuomorphic design, better affordance, minimized learning curve of human printer interaction.
- Simply, friendly operating, reduced learning curve, get more feedback.
- Enhanced remote control by RS485 & RJ45 on printer.

PRINTING

- 430m/min ultra-high-speed printing.
- 20 languages available, enhanced print quality in high speed printing.

PRINTHEAD

- Printhead interior circuits are fully sealed by outstanding dielectric strength and corrosion resistant epoxy to ensure robust printhead performance throughout entire printer life.

EXTERIOR

- Compact printer design, easy to integrate in manufacturing lines or equipments.
- Stainless steel cabinet, robust, hygienic, corrosion resistant.
- Improved user experience by new 10.1-inch touchscreen and UI design.

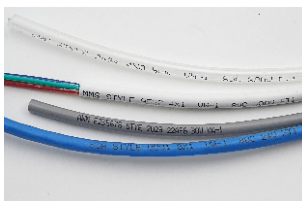
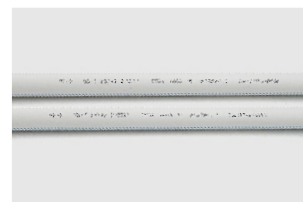
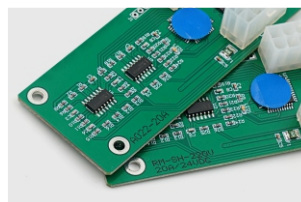
INTERIOR

- Designed for simplicity.
- Integrated ink module design, surface mount main filter to simplify maintenance of printers.

CIRCUIT

- Main circuit board in printer came from original design and rigorous testing, late semiconductors were chosen to enhance reliability and versatility to printers.

SAMPLE DISPLAY

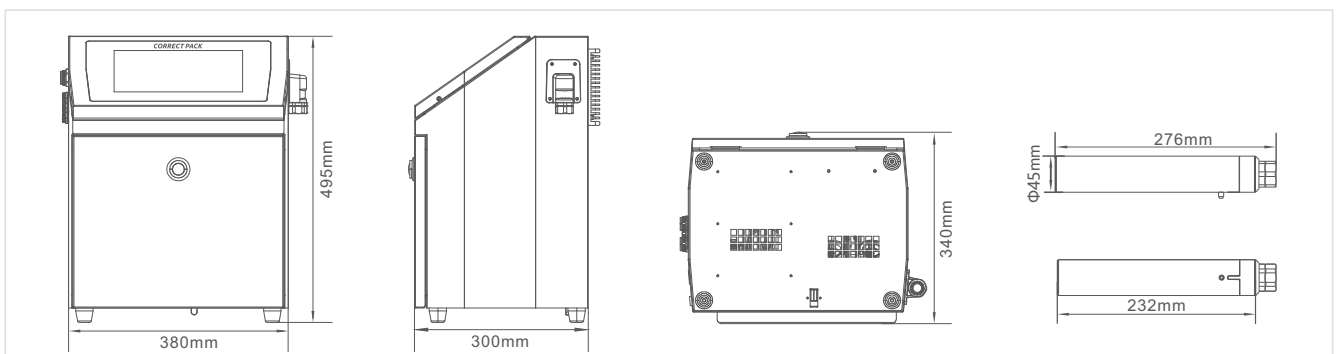


SPECIFICATIONS

Model	CP9000S	CP9000H	CP9000M	CP9000P
Machine Material	Stainless Steel			
Max Lines of Print	1-4 Lines (7X5 matrix) 1-5 Lines (5X5 matrix)	1-4 Lines (7X5 matrix) 1-5 Lines (5X5 matrix)	1-4 Lines (7X5 matrix) 1-5 Lines (5X5 matrix)	1-4 Lines (7X5 matrix) 1-5 Lines (5X5 matrix)
Max Speed @5X5	344m/min	430m/min	430m/min	287m/min
Font Matrix	Single-Line: 5X5, 7X5, 9x6, 12X8, 16X11, 19X14, 24X17, 32X22 Twin-Line: 5X5, 7X5, 9x6, 12X8, 16X11		3 Lines: 5X5, 7X5, 9x6 4 Lines: 5X5, 7X5	5 Lines: 5X5
Character Height Range	Font Height: 1-15mm Printing Distance: 2mm-30mm Best: 10mm			
System	10.1-Inch-Touch Screen, Linux System			
Print Content	English, Chinese, Arabic Numbers, Serial Number, Barcode, Shift, DM/QR Code, UPC A&E, EAN 8 & 13, GS1, Logo, UCC/EAN 128, Code 128 A, B&C, Code 39, Code 125, Automatic Date, Time, Expiry Date, Special Characters etc			
Extra Memory	USB, Rs485, Ethernet			
System Language	Chinese, English, Korean, Russian, Polish, Persian, Arabic, Spanish, German, Indonesian, Vietnamese, Croatian, Thai, Slovenian, Slovak, Bosnian, Portuguese, Italian etc. Available for Language Customization.			
Memory Storage	1000+Messages			
Industrial Protection	IP55	IP55	IP55	IP55
Printhead	3m Conduit Nozzle Size: 60um	3m Conduit Nozzle Size: 50um	3m Conduit Nozzle Size: 40um	3m Conduit Nozzle Size: 65um
Printing Direction	360° All-round Printing			
Cartridge Volume	Ink (500ml) Make-up (750ml)			
Temperature/Humidity Range	0-50°C 0-95% Relative Humidity, Non-condensing			
Power	100-120/200-240V~, 50/60Hz, 0.9/0.45A, 100W			

CP9000S is standard model, CP9000H high-speed model, CP9000M is micro model, CP9000P is pigment model.

DIMENSIONS





CORRECT PACK TECHNOLOGY CO.,LTD.

Add: Floor 3, Building 1, No. 728, Jinhua Road, Sanzao Town, Jinwan District, Zhuhai City, Guangdong, China

Tel: +86 0756 7255229 Fax: +86 0756 7255635

E-mail: info@correct-pack.com

Website: www.correct-pack.com