



Coding Your Ideas and Innovations

CP9000P

Pigment CIJ Coding Solution

Designed for high-contrast coding on dark and challenging surfaces



The CP9000P is a next-generation white ink printer designed for dark substrates. It delivers clear, durable, and high-adhesion marking while ensuring stable performance.

Featuring an automatic self-cleaning system, the intelligently engineered ink module minimizes pigment settling to maintain consistent performance and extended uptime. Its user-friendly maintenance and robust design offer strong resistance to environmental interference, making it perfectly suited for demanding industrial conditions.

CP9000P

Pigment Continue Inkjet Printer(White/Yellow/Red/Blue)

Intelligent Software System

- The all-new UI interface with a 10.1-inch touchscreen is intuitive and user-friendly, designed to match user operating habits.
- The WYSIWYG system shortens training time and reduces operating errors.
- Automatic cleaning and viscosity control functions minimize maintenance requirements and improve ease of use.

Durable Printhead

- Upgraded printhead with automatic cleaning reduces nozzle clogging and ensures long-term stability.
- Less downtime, more productivity.

Advanced Ink Management System

- Equipped with a special pigment pump that is wear-resistant and corrosion-resistant, along with a stainless steel ink tank to ensure long-term ink stability.
- Modular ink stirring system prevents pigment sedimentation, effectively reducing printhead clogging and extending the printer's lifespan.

Outstanding Printing Performance

- Supports high-speed printing of up to 287m/min, ensuring clear and high-contrast marking.
- Multi-language support enhances global market compatibility.
- Maintains consistently superior print quality, even in varying production environments.

Compact & Durable Structure

- Stainless steel cabinet with IP55 protection ensures durability, while an ultra-quiet design enhances operator comfort.

Smart Industry 4.0 Connectivity

- Supports RS-485, USB, and Ethernet connections for remote monitoring and data management.
- Enables wireless communication and remote technical support.
- Compatible with DataMatrix, QR codes and Barcode printing, seamlessly integrating with smart manufacturing systems to enhance production efficiency.

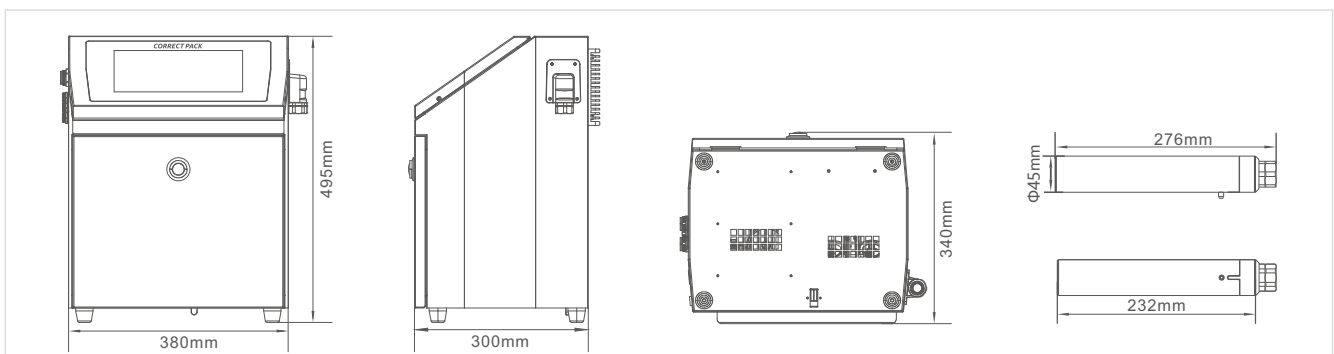
SAMPLE DISPLAY



SPECIFICATIONS

Model	CP9000P		
Material	Stainless Steel		
Max Lines of Print	1-4 Lines (7x5 Matrix) 1-5 Lines (5x5 Matrix)		
Max Speed @5x5	287m/min @5x5		
Font Matrix	5X5, 7X5, 9x6, 12X8, 16X11, 19X14, 24X17, 32X22 Twin-Line: 5X5, 7X5, 9x6,12X8, 16X11	3 Lines: 5X5, 7X5 ,9x6 4 Lines: 5X5, 7X5	5 Lines: 5X5
Character Height Range	Font Height: 1-15mm Printing Distance: 2mm To 30mm Best: 10mm		
System	10.1 Inch-touch Screen, Linux System		
Print Content	English, Chinese, Arabic Numbers, Serial Number, Barcode, Shift, Dm/QR Code, GS1, Logo, UPC A&E, EAN 8 & 13, UCC/EAN 128, Code 128 A, B&C, Code 39, Code 125, Automatic Date, Time, Expiry Date, Special Characters etc.		
Extra Memory	USB, RS485, Ethernet		
System Language	Chinese, English, Korean, Russian, Polish, Persian, Arabic, Spanish, German, Indonesian, Thai, Vietnamese, Croatian, Slovenian, Slovak, Bosnian, Portuguese, Italian, Turkish etc. Customizable Language.		
Memory Storage	1000+Messages		
Industrial Protection	IP55		
Printhead	3m Conduit Nozzle Size: 65um		
Printing Direction	360°All-Round Printing		
Consumable	Ink(bottle: 500ml) Make-Up(Cartridge: 750ml)		
Temperature/Humidity Range	0-45°C 0-95% Relative Humidity, Non-condensing		
Power	100-120/200-240V~, 50/60Hz, 0.9/0.45 A, 100W		

DIMENSIONS





CORRECT PACK TECHNOLOGY CO., LTD.

Add: Floor 3, Building 1, No. 728, Jinhua Road, Sanzao Town, Jinwan District, Zhuhai City, Guangdong, China

Tel: +86 0756 7255229 Fax: +86 0756 7255635

E-mail: info@correct-pack.com

Website: www.correct-pack.com