

Overview

The GD series intelligent active battery balancer automatically detects the battery voltage during the charging and discharging process, adopts a bidirectional energy transfer balance, and transfers the energy of the high voltage battery to the low voltage battery through energy transfer, thereby achieving equal voltage between the two batteries. High conversion efficiency and fast speed to achieve balance. The working mode and balance parameters can be set through the menu, which is suitable for various application scenarios of customers.

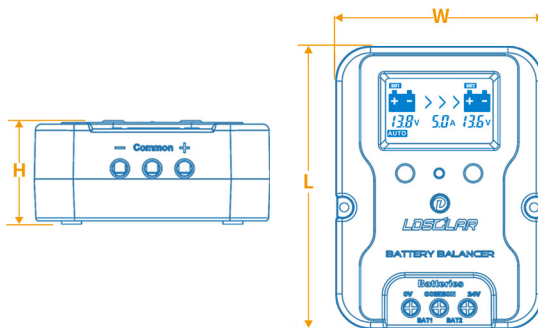
Features

- Active balancing of batteries using voltage rise and fall switches
- The maximum conversion efficiency is up to 92%, the maximum balancing current is 5A, and the balancing accuracy is 40mV.
- Both balanced current and balanced voltage can be set.
- Different balancing modes can be selected according to different application scenarios.
- Complete protection functions: battery reverse protection, battery overvoltage protection, battery low voltage protection, over temperature protection, and over current protection.



Mechanical size

Mode	GD2405	GD4805
Voltage	24V	48V
Size(L×W×H)mm	99×75×32	99×150×32
Weight	120 g	310 g
Maximum balancing current	5A	
Self-consumption	≤6mA	



● Please refer to the indicator diagram on the right

● Dimension reference drawing

Safety Protection



Battery overvoltage protection



Battery low voltage protection



Over current protection



Battery reverse protection

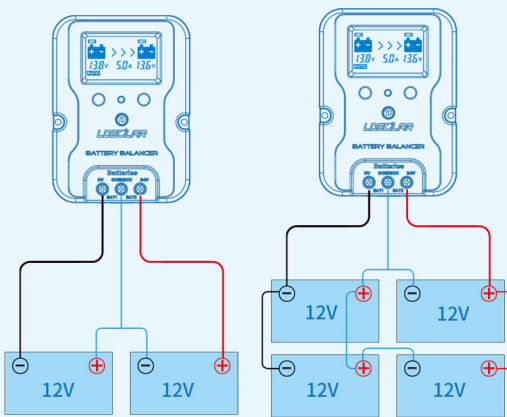


Over temperature protection

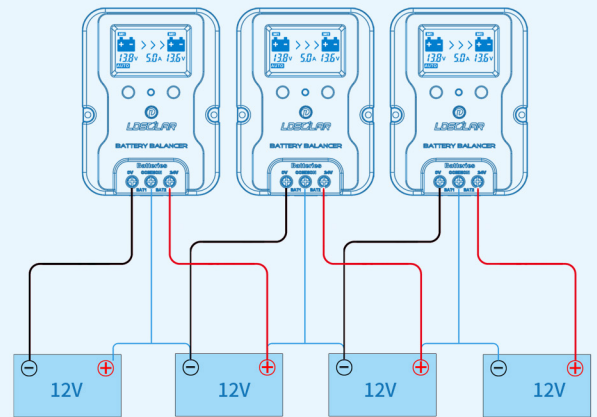
Technical specifications

Mode	GD2405	GD4805
Input Voltage range	8-36V	8-72V
Starting Balancing Voltage	27.0V or 23.0V(STP 01)	
Stop Balancing Voltage	20.0V	
Starting Balancing voltage drop	100mV	
Balance accuracy	40mV	
Maximum balancing current	5A	
Self-consumption	≤6mA	
Working temperature range	-20°C~+50°C	
Protection grade	IP32	
Size	99mm×75mm×32mm	99mm×150mm×32mm
Net weight	120g	310g

Connection

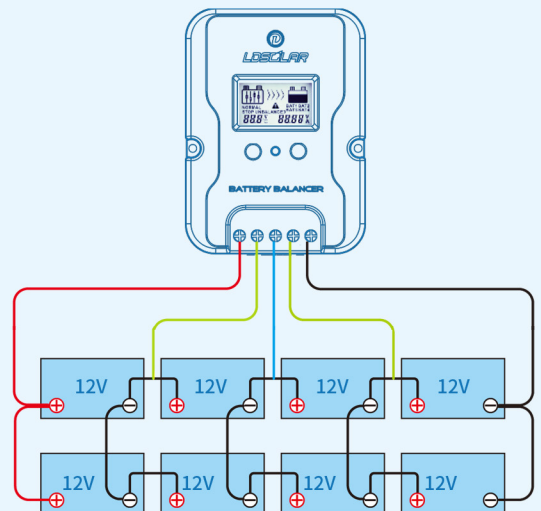
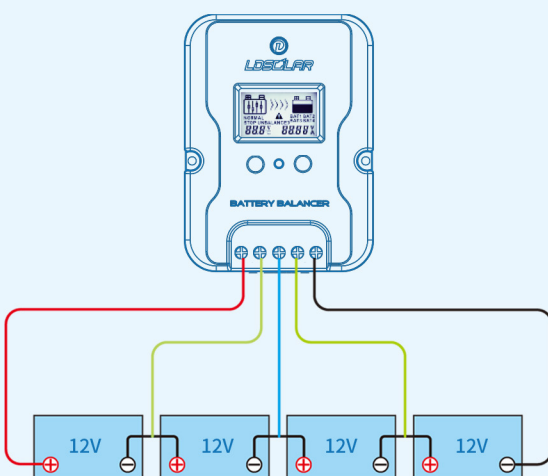


24V Battery pack connection



48V Battery pack connection

● GD2405 Connection Diagram



● GD4805 Connection Diagram