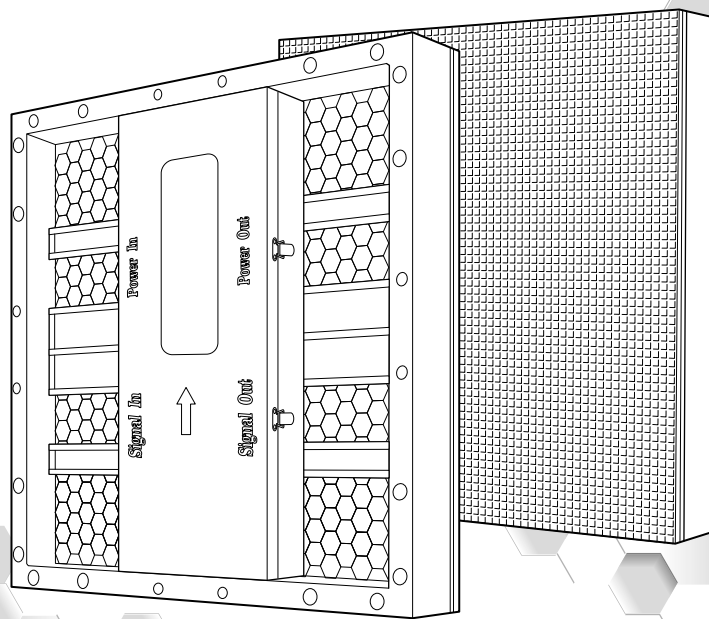


LED D-series

User Manual

Ver. 1.0.0



LIONLED

Safety and caution

1. Important Notes	1
2. Precautions for Use	1

Product features

1. Product Overview	2
2. List of Components Used	2
3. Dimension	4



Operation Guide

1. Stand	6
2. Cabinet	6
3. Power harness	7
4. HUB75E Cable	7
5. Power cable	7
6. Signal cable	8
7. Module	9


Safety and Precautions


1. Safety Precautions

Please read this instruction manual carefully before use and operate the product correctly.
Please note that the contents and specifications described in this manual are subject to change without prior notice.

 Warning	Indicates situations where incorrect handling may result in death or serious injury.
 Caution	Indicates situations where incorrect handling may result in personal injury or property damage.

2. Precautions for Use

 Warning	<ul style="list-style-type: none"> • Before use, be sure to check that there are no missing parts or abnormalities. • Do not attempt to repair, disassemble, or modify the product yourself. Doing so may result in electric shock, fire, or damage. • After installation, regularly check that all mounting parts are securely fastened. Loose installation may cause the product to fall. • Insert plug fully to prevent electric shock or failure. • Do not pull, bend, or twist cables excessively. Risk of fire or electric shock. <p>• Cover unused ports with waterproof caps. Avoid prolonged use in dusty or humid environments and remove dust regularly. Risk of electric shock or fire.</p> <ul style="list-style-type: none"> • Do not use in areas where flammable or combustible materials are present. • Do not use or store this product in locations subject to vibration, shock, dust, corrosive gases, or flammable gases. Doing so may cause overheating or a fire. • Do not use this product in environments with extreme temperature fluctuations or extremely high humidity. Doing so may result in electrical leakage or malfunction. • Do not intentionally pour water directly onto the bottom of the unit. Doing so may result in fire, electric shock, or malfunction. • Do not plug or unplug the power cord with wet hands. Risk of electric shock or fire. • If smoke or any other abnormality occurs, immediately turn off the power supply and contact the manufacturer. • Always connect the power cord to an outlet of the specified voltage. Failure to do so may result in fire or equipment malfunction.
---	---

 Caution	<ul style="list-style-type: none"> • Avoid using unstable power supplies with electrical noise. This can cause damage to electronic components or lead to lighting failure. • Do not stare at the light-emitting surface for a long time. • Do not scrub the surface of the display panel with hard objects such as wire brushes. Doing so may cause deformation, discoloration, or malfunction. • This product is a precision instrument; please handle it with care and avoid applying excessive force, dropping it, or subjecting it to impact. • Avoid using or storing the product in places with high temperature and humidity, or in direct sunlight for extended periods. • Do not insert hands or objects into the fan cover.
---	--

Product overview

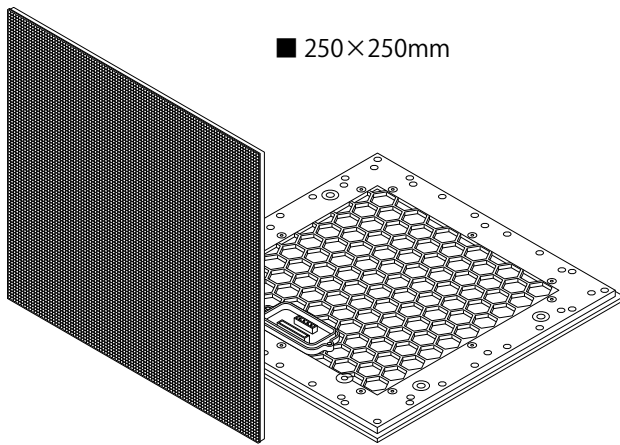
1. Product overview

D-series modules can be used simply by attaching them to the cabinet with magnets.

2. List of materials used

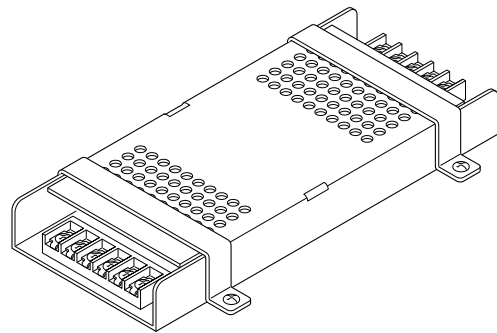
[standard product]

- Module (LED display)

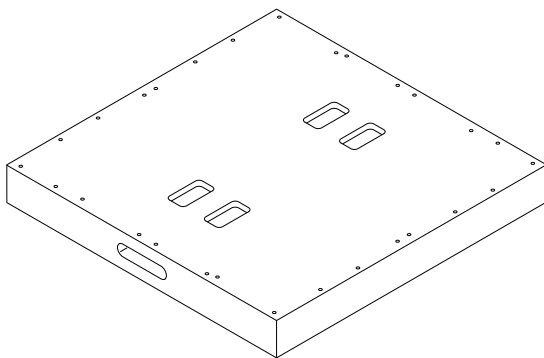


■ 250×250mm

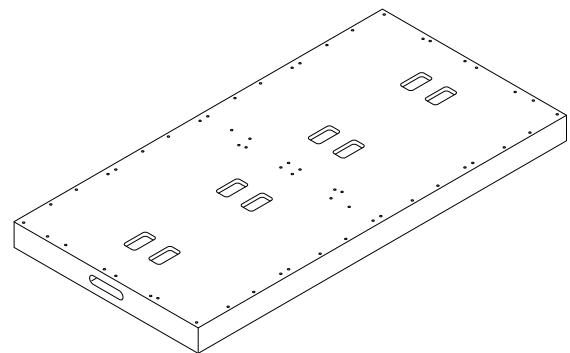
- switched-mode power supply



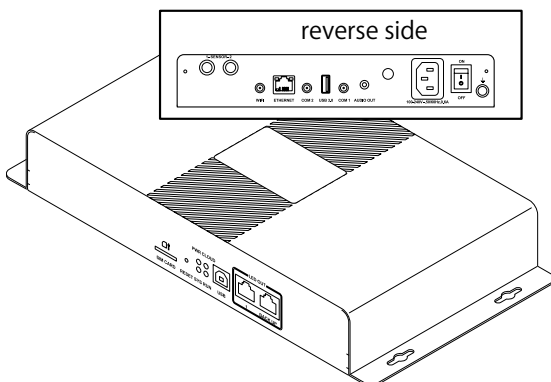
- D Series Cabinet (500 x 500)



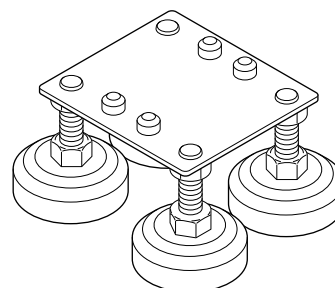
- D Series Cabinet (500 x 1000)



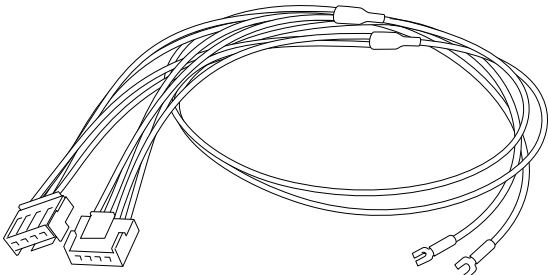
- controller



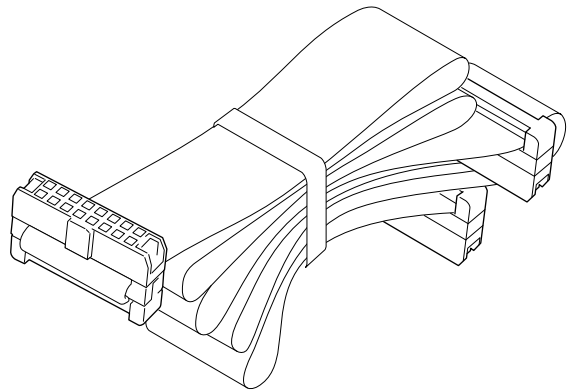
- stand



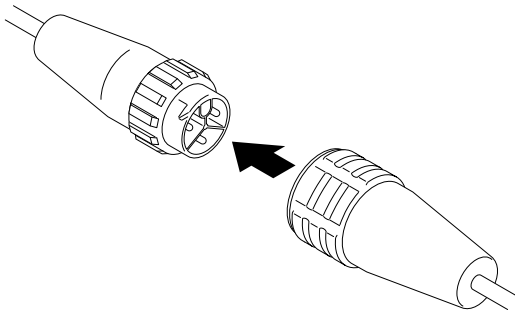
● power harness



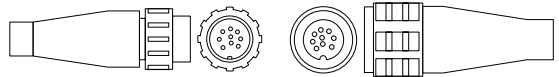
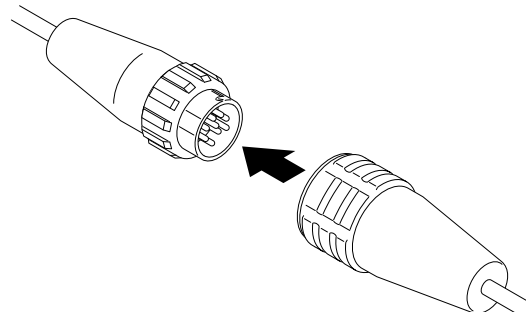
● HUB75E cable



● mains lead



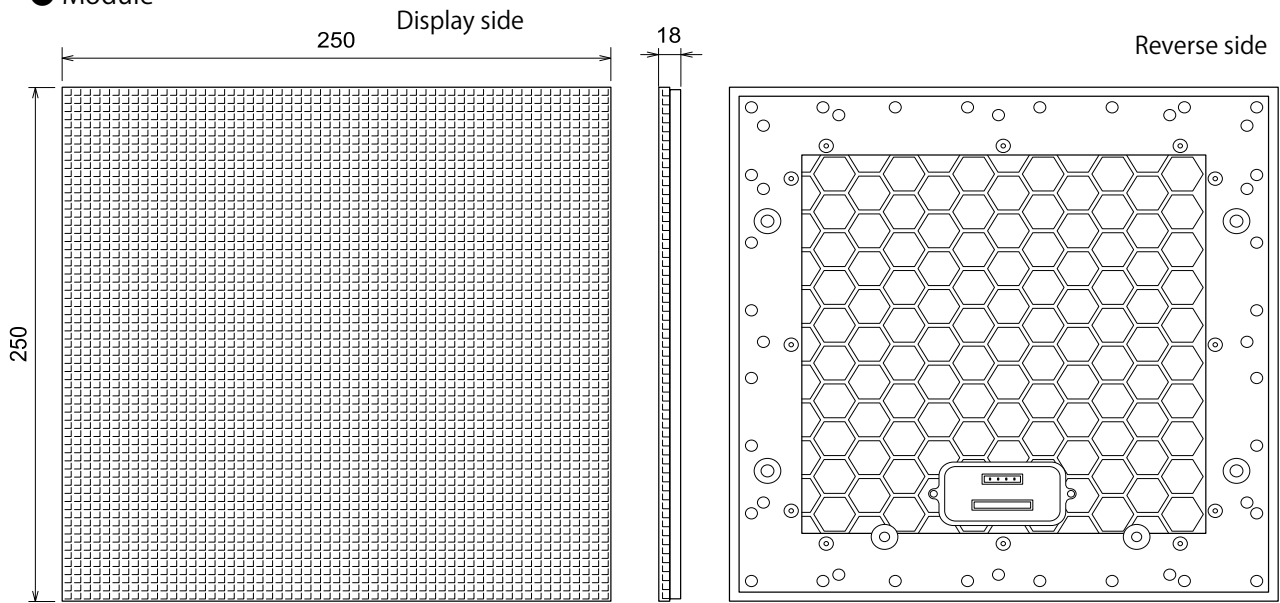
● signal cable



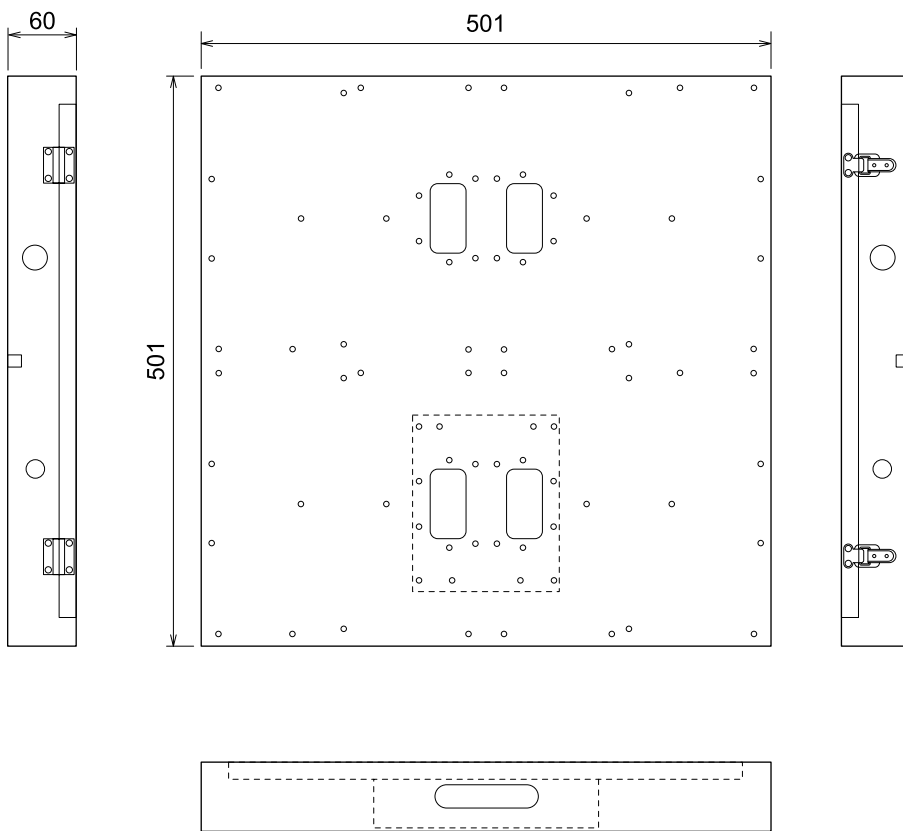
3. Dimensions

● Module

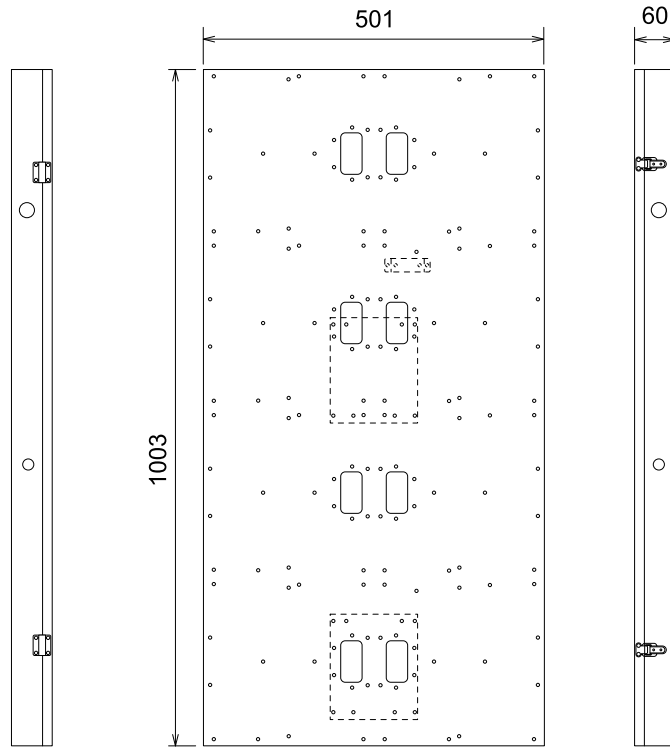
(Unit : mm)



● D Series Cabinet (500 x 500)



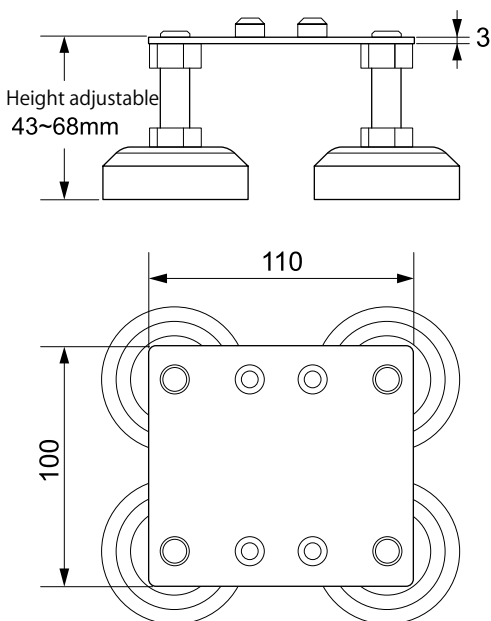
● D Series Cabinet (500 x 1000)



【Dimensions】

Name	Dimension (mm)	Weight (g)
Modules 250	H250 x W250 x D18	289
Cabinet	H500 x W500x D60	8200
	H500 x W1000x D60	16400

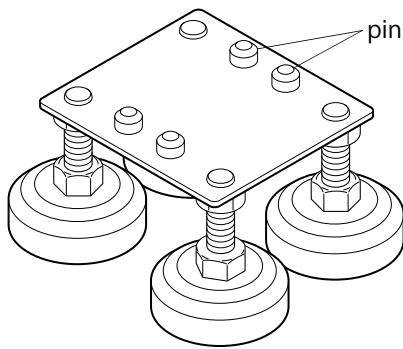
● Stand



Instructions for use

The D-Series involves placing cabinets on the floor and attaching modules to them with magnets, turning the floor itself into a large-scale LED display.

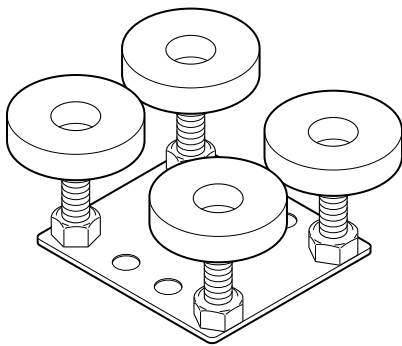
1. Stand



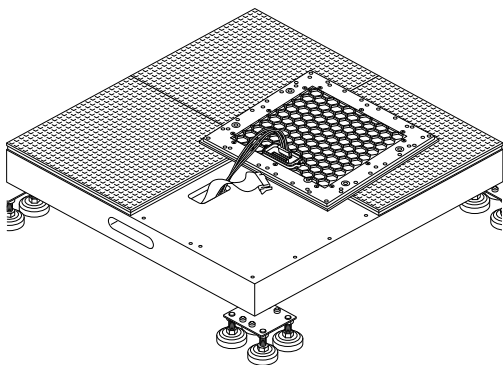
Place the stands on the floor beforehand and position the cabinet.

The stand pins fit into the cabinet and lock into place, making it easy to install the cabinet.

- While adjusting the height as a cabinet stand, you can set the module level to flat.
- Adjust the height between 43–68mm to level the cabinets and modules according to the floor conditions.
- Ensure the cabinet does not wobble.



2. Cabinet

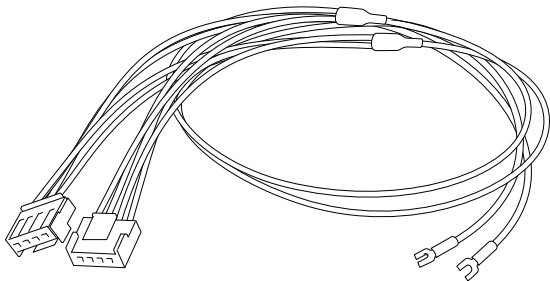


The cabinet contains a switching power supply and a receiving card.

The cabinets come in two sizes: 500x500 and 500x1000.

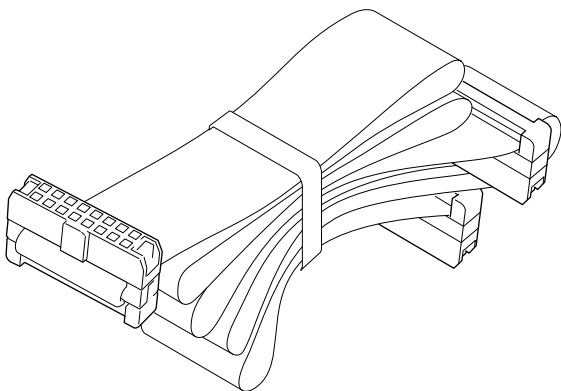
- 1 Insert the stand pins into the holes on the bottom of the cabinets to secure them together.
- 2 Connect the cabinets in a daisy chain using power and signal cables.
- 3 Place the stands on the floor, adjust their height so that the cabinet sits flat, and level them.
- 4 Connect the cabinet's power harness and the HUB75 cable to the module.

3. Power harness



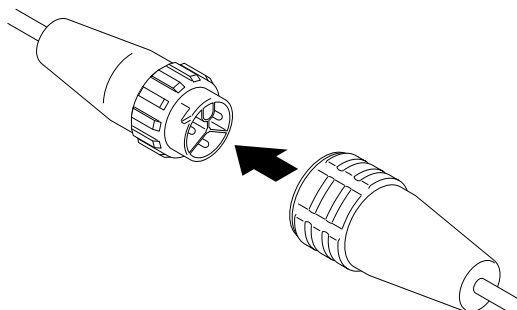
A switching power supply is built into the cabinet to provide power to the modules.
 The 500x500 cabinet type supplies power to four modules, while the 500x1000 cabinet type supplies power to eight modules.

4. HUB75E Cable



A receiving card is installed inside the cabinet.
 The receiving card transmits signals to the modules in the cabinet.

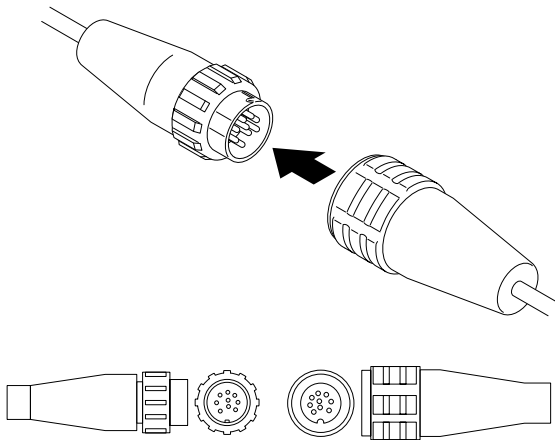
5. Power cable



Connect the cabins in series using power cables.
 • Once the connectors are connected, turn the grip to lock it in place and prevent it from coming loose.

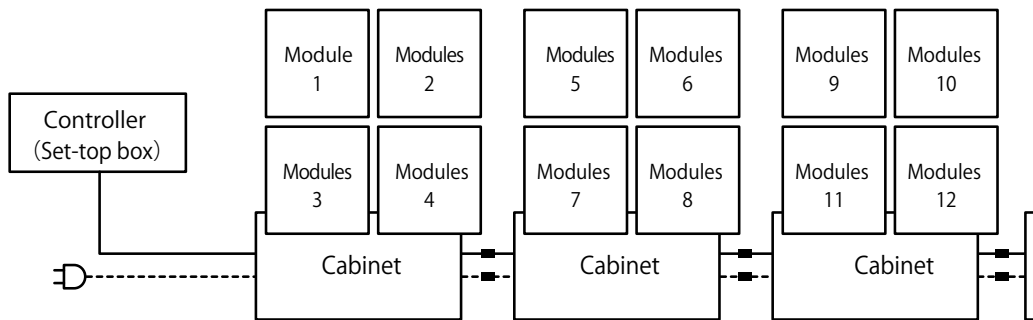


6. Signal cable



Connect the cabins in a daisy chain using signal cables.

- Once the connectors are connected, turn the grip to lock it in place and prevent it from coming loose.



7. Modules

The standard module size is 250 × 250 mm.

The magnets on the back of the module allow for easy attachment.

Align the magnets with the arrows on the cabinet and modules.

Secure the cabinets together with bolts, and connect them using power and signal cables.

It is important to use the stand to adjust the level so that the module lies flat.

