

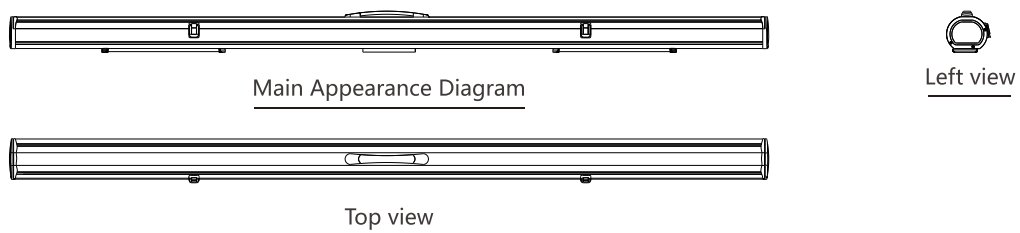
Manual Floor Rising Screen DL45 User Manual

Respected user: thank you for purchasing XYscreens manual floor rising screen DL45, please read the instructions carefully before installation and use, and keep it properly after reading for future reference.

Overview

- The lifting device of manual floor rising screen is composed of bottom cover, upper cover, connecting rod, fixed support, air pressure rod and other mechanisms. The product is equipped with anti-falling feet to increase the stability and reliability. When the screen opens, the air pressure rod will help it open smoothly, and the screen is also equipped with the stop positioning function and the automatic rotation&reset function of the torsion spring.
- The upper rod adopts the double-tube combination structure to make the screen more flat. Pneumatic rod helps lifting and arbitrary positioning. The feet make the screen more stable.

Product Appearance Diagram



How to use

Step 1

After unboxing, open the feet as shown in figure 1-3.

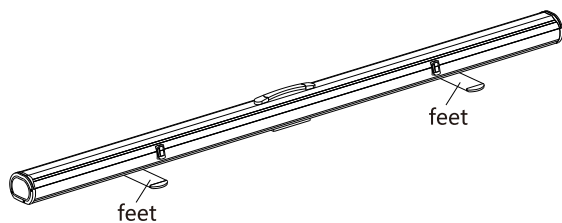


figure 1-3

Step 2

Loose the locks, grip the handle to open the cover (see figure 1-4).

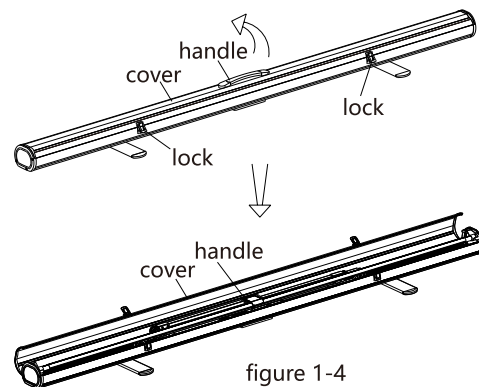
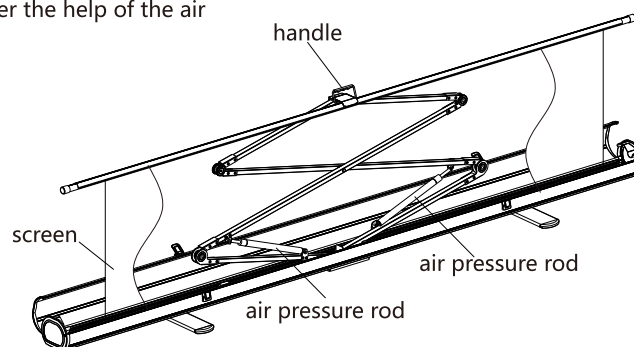


figure 1-4

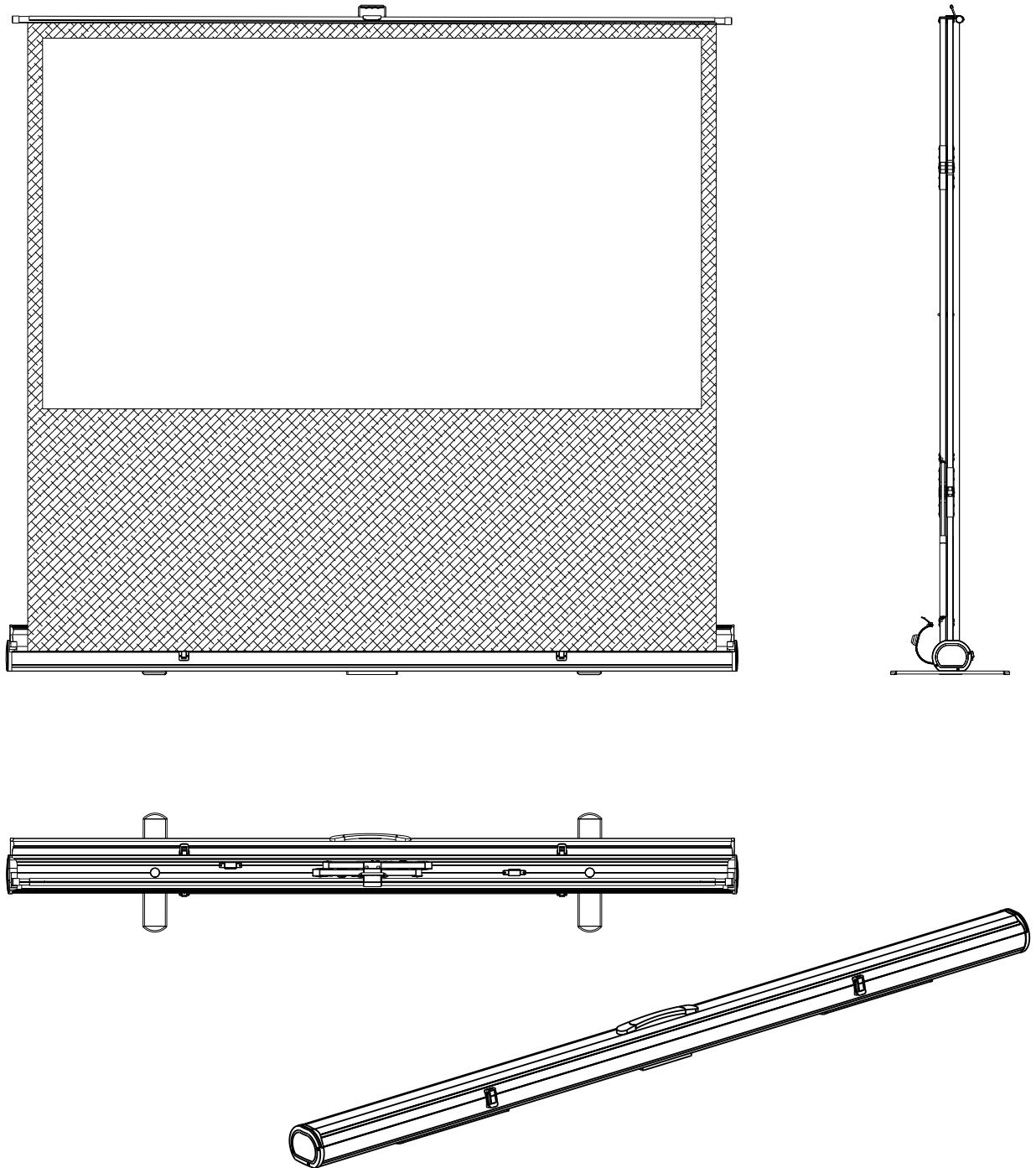
Step 3

Lift slowly and open completely under the help of the air pressure rod (see figure 1-5).



Manual Floor Rising Screen DL45 User Manual

Product Appearance Diagram



Maintenance

Warm tips: how to maintain the screen

In order to ensure the best screen quality for your long-term viewing, please note the following:

1. Do not touch directly the screen with your hands or other objects to avoid dirtying or damage to the screen surface.
2. Do not wipe with water or other detergent to avoid damage to the coating on the screen surface.
3. Do not paint on the screen to avoid leaving marks.
4. Use some very soft things gently or cold wind of electric hair drier to clean the dust on the screen surface.