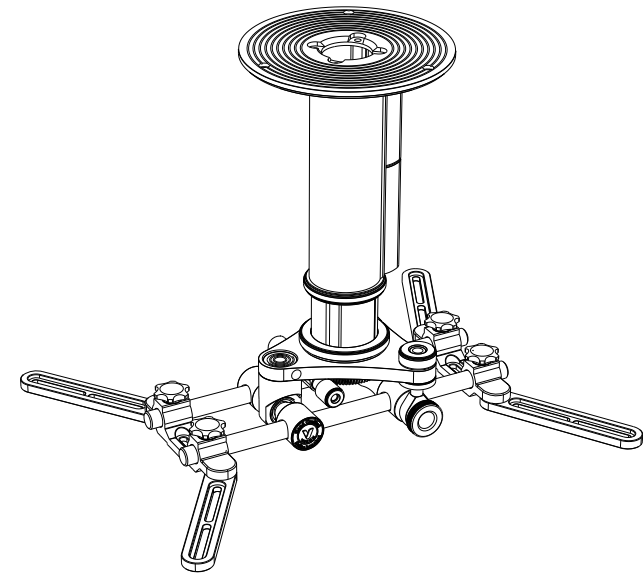




Installment Instruction

Projector Mount



Guangzhou Xiong Yun Audio-Visual Equipment Co.,Ltd

Phone Number: 86-20-39133522
Add: NO 178, Lanling Road, Lanhe Town,
Nansha District, Guangzhou

Thanks so much for your purchase, please read this instruction before installment.

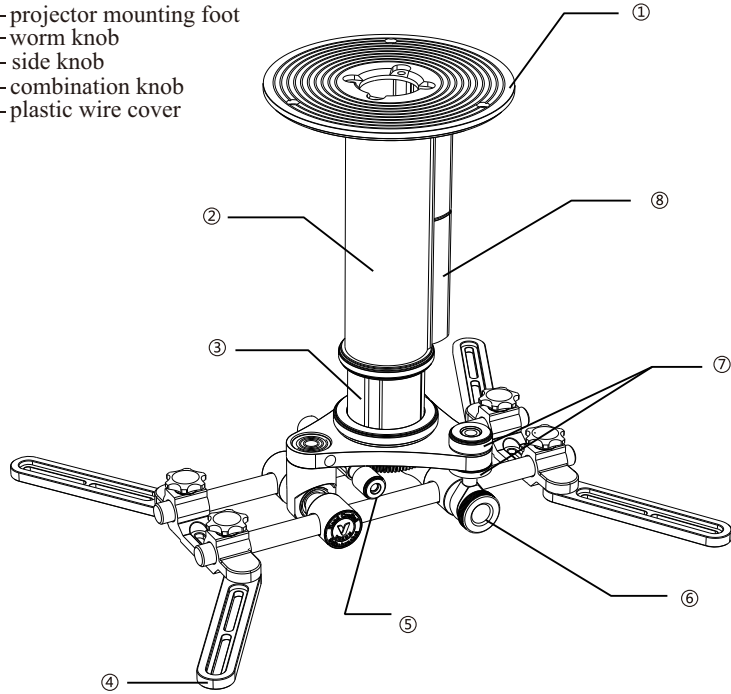
Factory Website: www.gzxyst.com Brand Website: www.av-vesun.com

Ceiling Mount

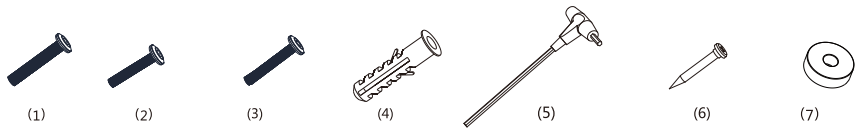
composition

standard 4-foot image

- ①— ceiling mounting plate
- ②— outer tube
- ③— inner tube
- ④— projector mounting foot
- ⑤— worm knob
- ⑥— side knob
- ⑦— combination knob
- ⑧— plastic wire cover



Accessories



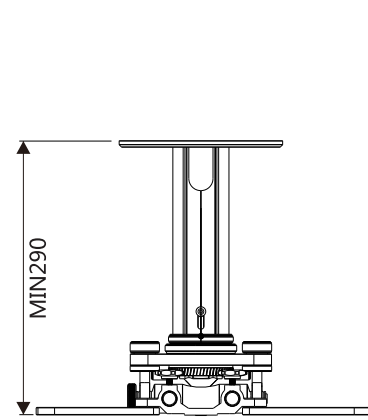
- (1) M6×25 inner hexagon screws 4pcs
- (2) M5×20 inner hexagon screws 4pcs
- (3) M4×20 inner hexagon screws 4pcs
- (4) expansion plastic screw socket 4pcs
- (5) inner hexagon screws wrench 4pcs
- (6) φ6 self-tapping screws 4pcs
- (7) plastic gaskets 4pcs

installation instruction 1pc
glove 1 pair

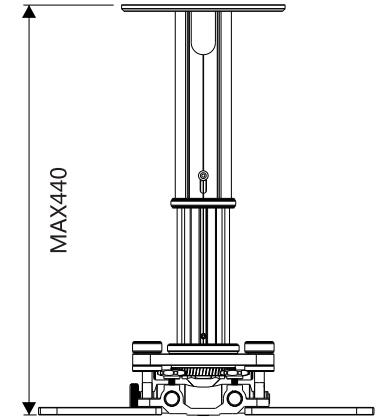
customer owned tool  φ 10 percussion drill 1pc

Ceiling Mount Procedure

long pole height image

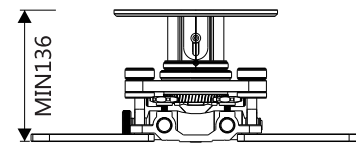


Min Height: 290mm

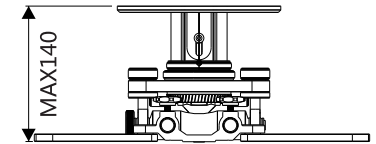


Max Height: 440mm

short pole height image



Min Height: 136mm



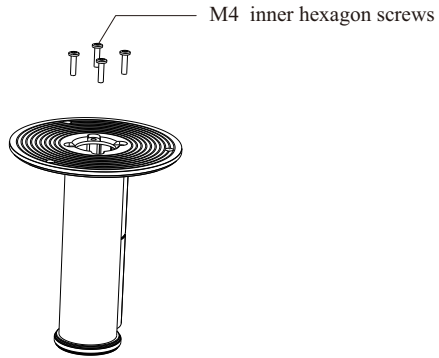
Max Height: 140mm

1. Max load: 50KG

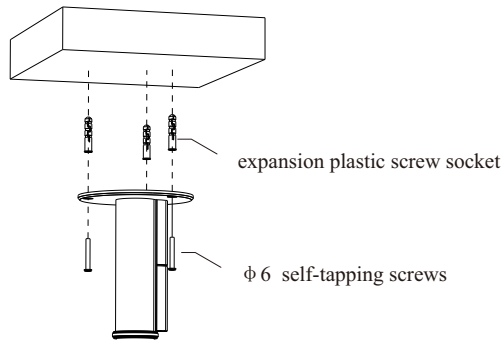
2. Install it on the suitable position according to the height of projector mount

3. Install it into the concrete on the ceiling, make sure bear the weight of projector and projector mount

Ceiling Mounting Procedure



Pic1

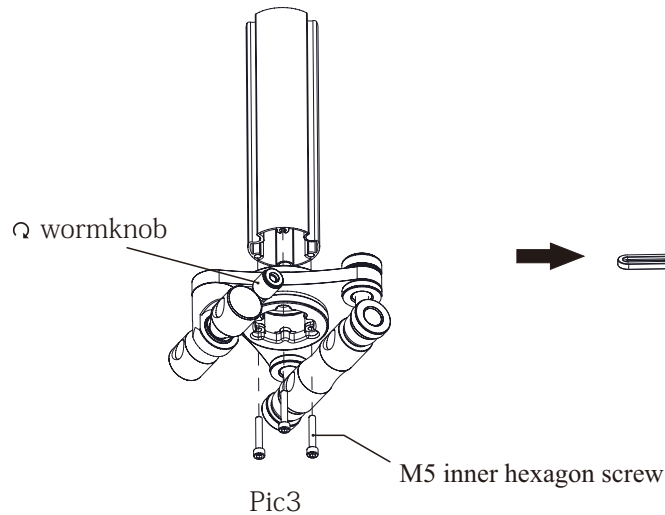


Pic2

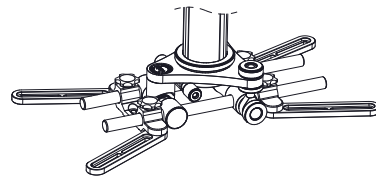
1. After projector mounting plate aligns at the screws holes, use M4 inner hexagon screws to fix it.

2. Mark the screws holes position after putting the projector mounting plate at the suitable position, punch with percussion drill, fix with screws finally.

Notice: In order to avoid falling and hurting somebody, must make sure the position is so strong that can bear the weight of projector and projector mount.



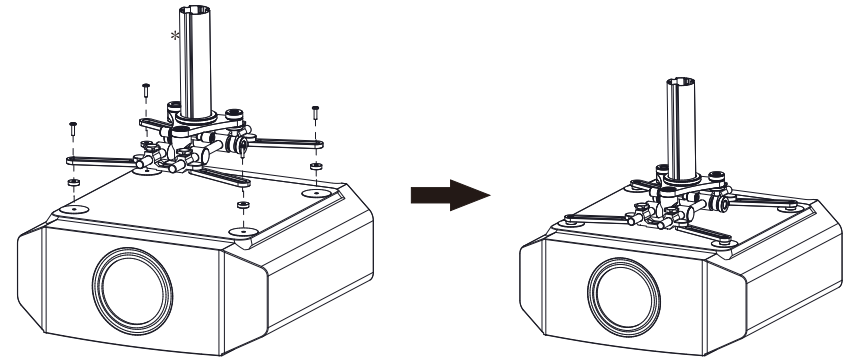
Pic3



Pic4

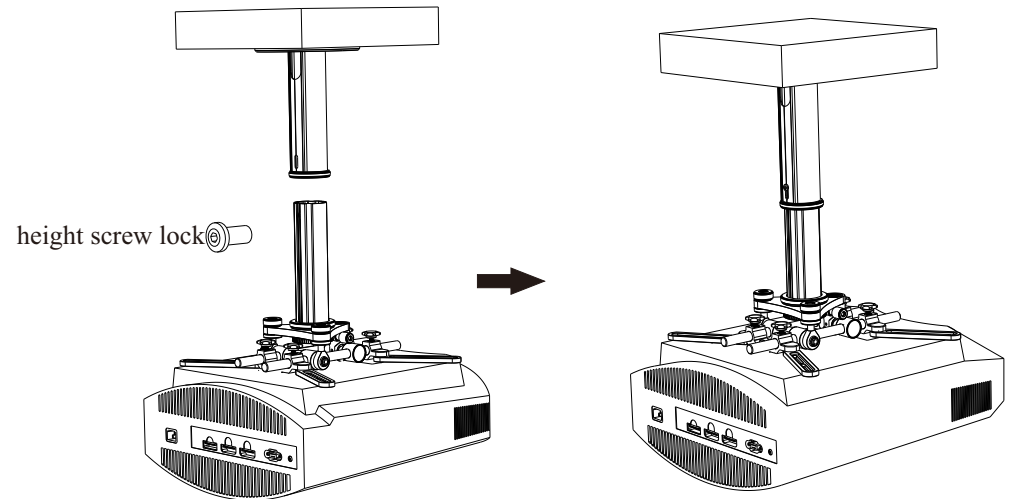
3. Align the auxiliary rod with the holes of the adapter, and screw in the M5 inner hexagon screws from the bottom to the up. If the screw holes are blocked and the screws cannot be screwed in, the projector mount can be rotated horizontally to stagger the screw holes by rotating the worm knob to achieve screws-in.

Notice: The adapter and the foot have been installed for the customer before delivery, in order to make the installation steps clearer, just omit the foot in Pic 3, please do not remove the foot when installation.



Pic5

4. Fix the projector mounting foot to the projector according to the distance of the holes of the projector, see Pic 5. The Pic takes the standard four feet projector mount as an example. If the projector just has 3 holes, can remove one of the feet, then install it.



Pic6

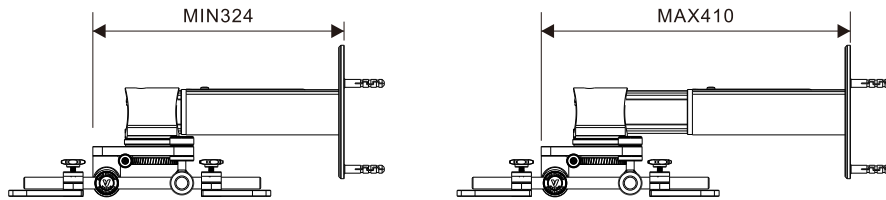
6. After finishing projector' s installment, insert the whole unit into the main pole through the auxiliary pole, see Pic 6, insert into the main pole with a height screw lock, tighten it, and the installation is complete.

Notice: Please be careful when installment, or install it by a professional, to avoid injury.

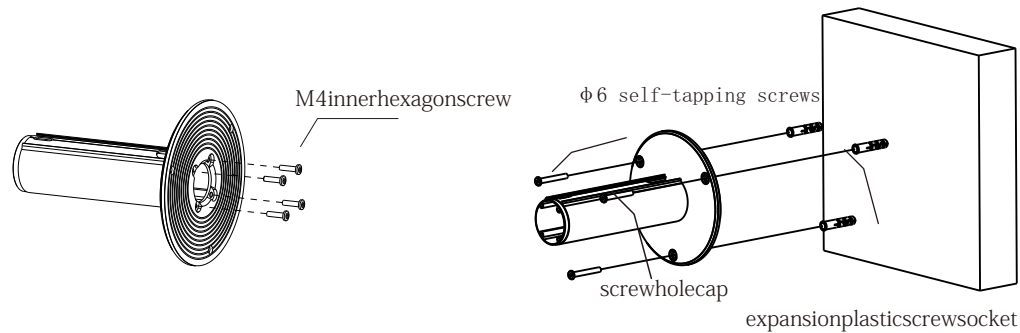
Ceiling Mount Procedure

side mount standard pole length

Max Length: 410mm
 Min Length: 324mm
 Max Load: 35KG



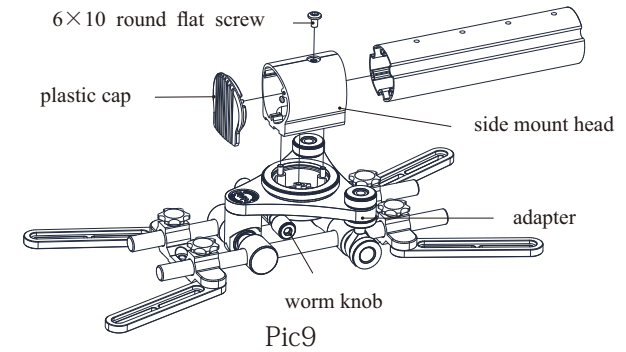
* Notice: In order to avoid falling and hurting somebody, must make sure the position is so strong that can bear the weight of projector and projector mount.



1. After projector mounting plate aligns at the screws holes, use M4 inner hexagon screws to fix it.

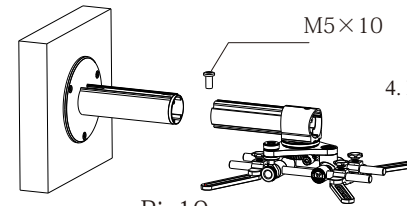
2. Mark the screws holes position after putting the projector mounting plate at the suitable position, punch with percussion drill, fix with screws finally.

Notice: In order to avoid falling and hurting somebody, must make sure the position is so strong that can bear the weight of projector and projector mount.



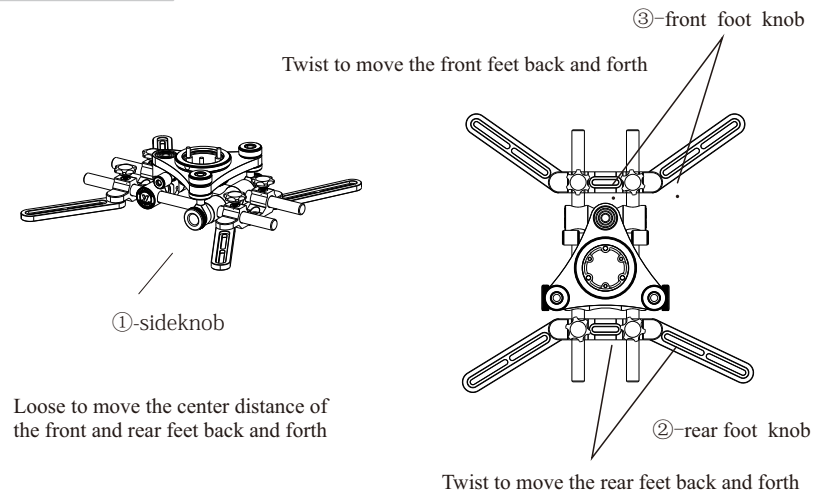
Pic9

3. Insert the auxiliary pole into the side mount head, tighten them with 6x10 round flat screws then insert the plastic cap into the side mount head, see Pic 9. After completion, put the adapter into the side mount head, and tighten. If the screw holes are blocked and the screws cannot be screwed in, the projector mount can be rotated horizontally to stagger the screw holes by rotating the worm knob to achieve screws-in.



Pic10

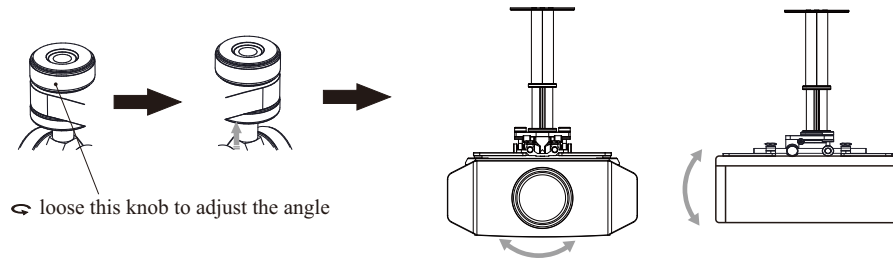
Angle Adjustment



Pic11-1

Pic11-2

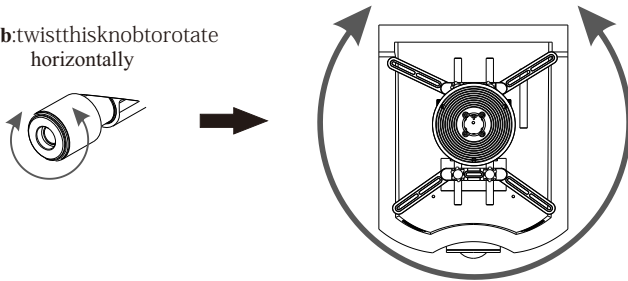
Combination Knob: loose the 2 bottom knobs to unlock, then twist the 2 top knobs to adjust the inclination angle of projector mount



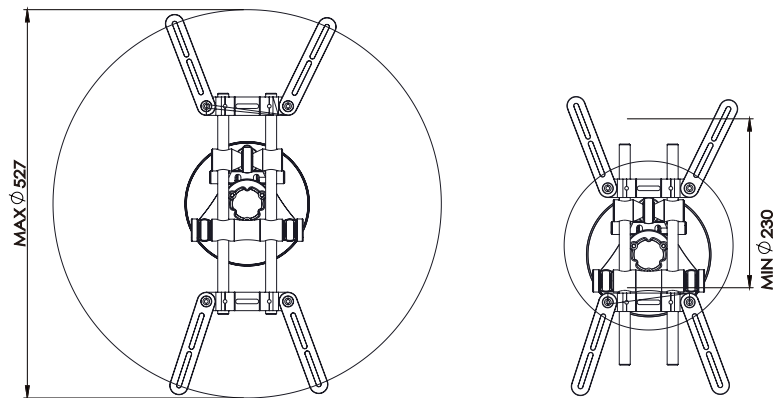
↻ loose this knob to adjust the angle

Notice: The knobs on both sides need to be twisted at the same time to adjust the height of the projector mount uniformly, if just twist one side, the height will be inconsistent.

Worm Knob: twist this knob to rotate horizontally



Feet Size



Max: $\phi 527$

Min: $\phi 230$

Installment and Use Safety Precautions



Notice

Please don't incline the projector extremely



NO

Please don't remove the parts of projector mount



Warn

For safety, the ceiling must bear 4 times of weight of projector and projector mount at least

This installation instruction is written for dealers and installers, please do not install by yourself, and be sure to hire qualified professional installer to install and strictly follow the contents of this installation instruction.