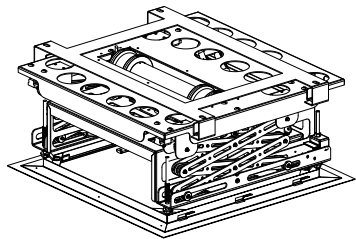


Motorized Projector Lift User Manual LXEDJ6

Open the package, check if everything is complete



projector lift main body



remote controller



power cord



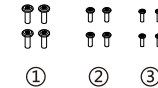
80×80 expansion bolt
4pcs



internal hexagonal
screwdriver



cross screwdriver

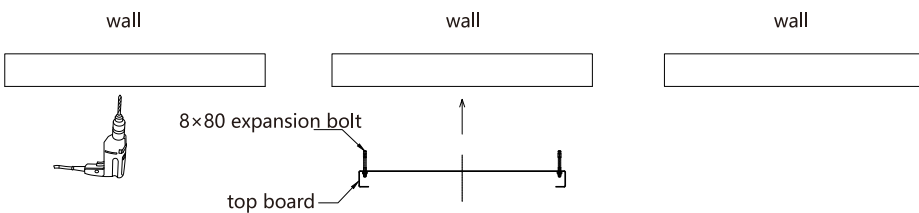


- ① 6×25 internal hexagonal flat round head screw (4pcs)
- ② 5×20 internal hexagonal flat round head screw (4pcs)
- ③ 4×20 internal hexagonal flat round head screw (4pcs)

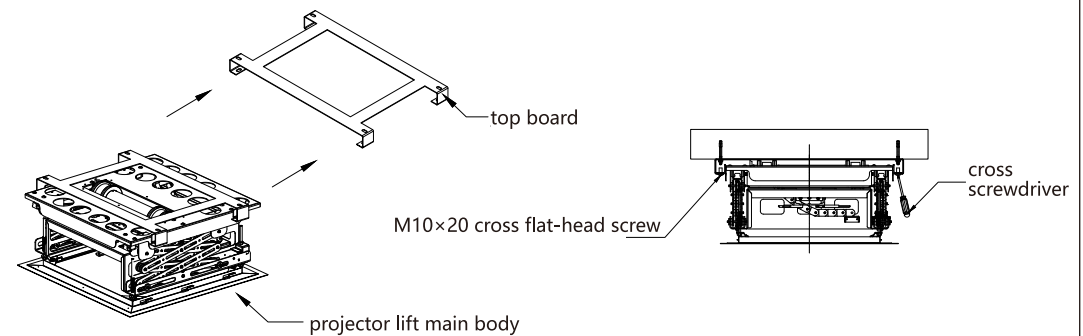


PA gasket
4pcs

1. Drill holes at preset places, install top board.

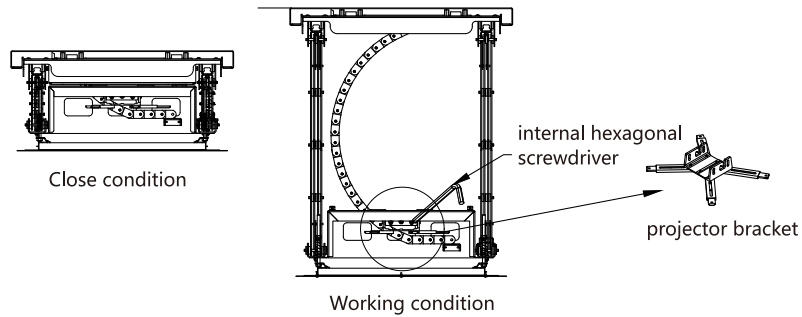


2. Install the projector lift main body on the top board, use M10x20 cross flat-head screws to fix.

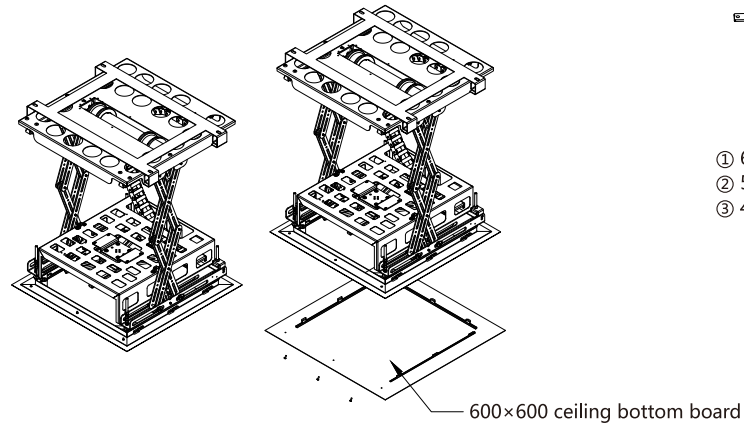


Motorized Projector Lift User Manual LXEDJ6

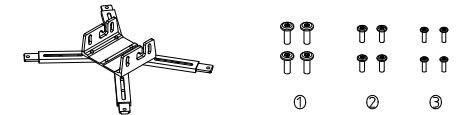
3. Connect with power, adjust electric projector lift working condition.
use internal hexagonal screwdriver to loose screws,
remove projector bracket.



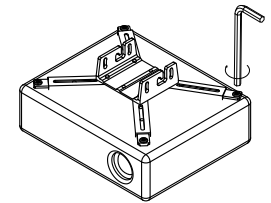
4. Use internal hexagonal screwdriver to remove 600x600 ceiling bottom board.



5. Install projector bracket



- ① 6x25 internal hexagonal flat round head screw (4pcs)
- ② 5x20 internal hexagonal flat round head screw (4pcs)
- ③ 4x20 internal hexagonal flat round head screw (4pcs)

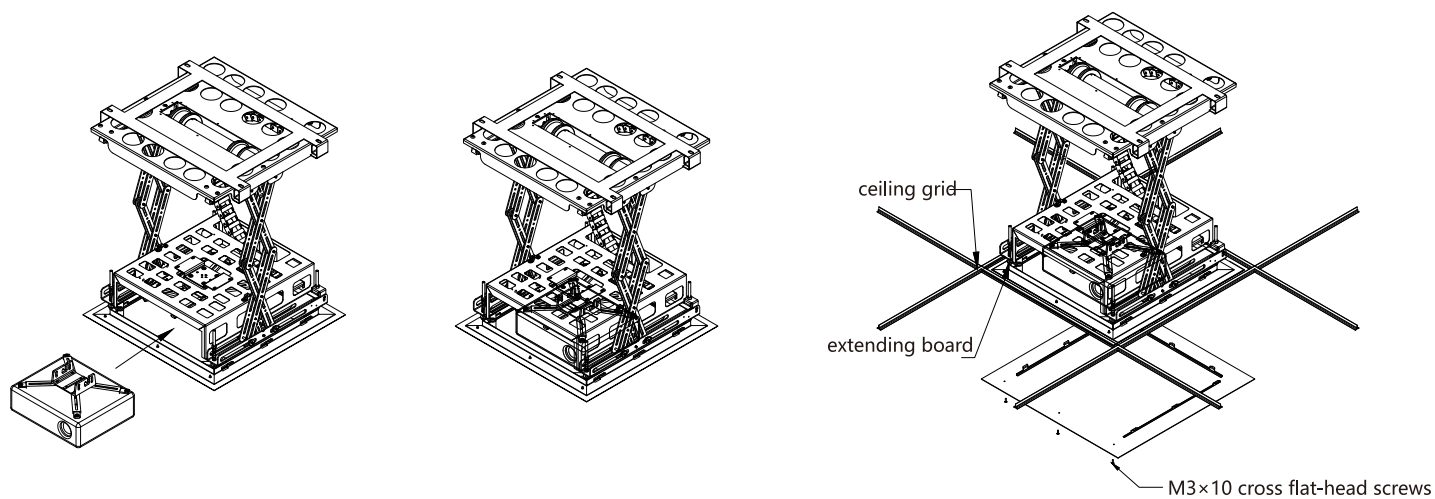


6.

I. Install projector inside projector lift, then fasten it with internal hexagonal screws

II. According to real situation, rotate extending board, make 600x600 ceiling bottom board match with ceiling grid perfectly

III. Use internal hexagonal screwdriver to fasten M3x10 cross flat-head screws



Motorized Projector Lift User Manual LXEDJ6

Remote Control Usage

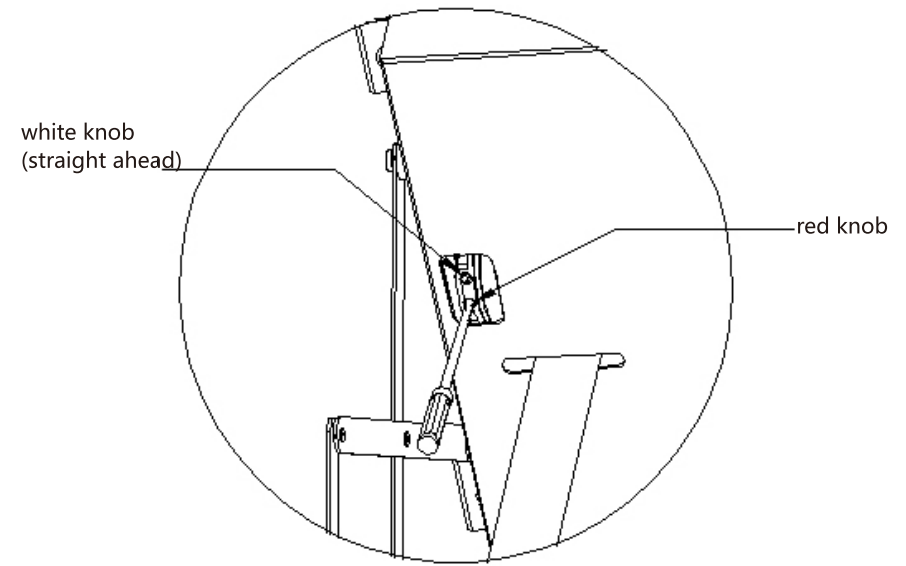
I. **Coding:** Power on, the buzzer will ring 10 times slowly (about 10 seconds), press the receiver code key within 10 seconds, press the transmitter "UP" button within 10 seconds, the receiver built-in blue light flash three times or buzzer ring three times fastly, coding is done.

II. **Motor reverse:** press the "STOP" button on the transmitter for 5 seconds to wake up the receiver, and the built-in red light of the receiver will blink slowly for 10 seconds, press the "DOWN" button of the transmitter at 10 seconds, and the built-in blue light of the receiver will blink quickly for 3 times, reverse setting is fine.

III. **Delete single code:** press the "STOP" button on the coded transmitter for 5 seconds to wake up the receiver, the built-in red light in the receiver blinks slowly for 10 seconds. After pressing the "BACK" button of the transmitter for 10 seconds, the built-in blue light in the receiver blinks quickly for 3 times, deleting single code is done.

IV. **Delete full code:** Press the "CODE" button on the receiver for 3 seconds, and the built-in red light in the receiver will blink for 10 seconds, and press the "CODE" button again within 10 seconds, the built-in red light in the receiver will go out, the full code will be deleted successfully.

Adjust stroke



partial drawing

The red knob is the adjustment hole of **the upper limit:** turn counterclockwise to reduce the upper limit stroke, rotate clockwise to increase the upper limit stroke

The white knob is the adjustment hole for **the lower limit:** turn counterclockwise to increase the lower limit stroke, turn clockwise to reduce the lower limit stroke