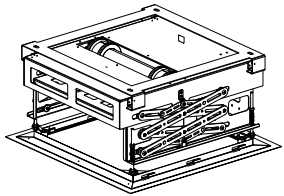


EDJ6 Electric projector lift user manual

Open the package, check if everything is complete.



projector lift main body



remote controller



power cord



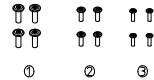
4-80×80 expansion bolt



internal hexagonal screwdriver



cross screwdriver

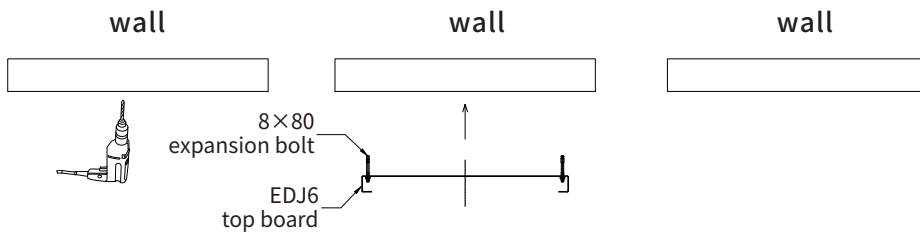


- ① 4-6×25 internal hexagonal flat round head screw
- ② 4-5×20 internal hexagonal flat round head screw
- ③ 4-4×20 internal hexagonal flat round head screw

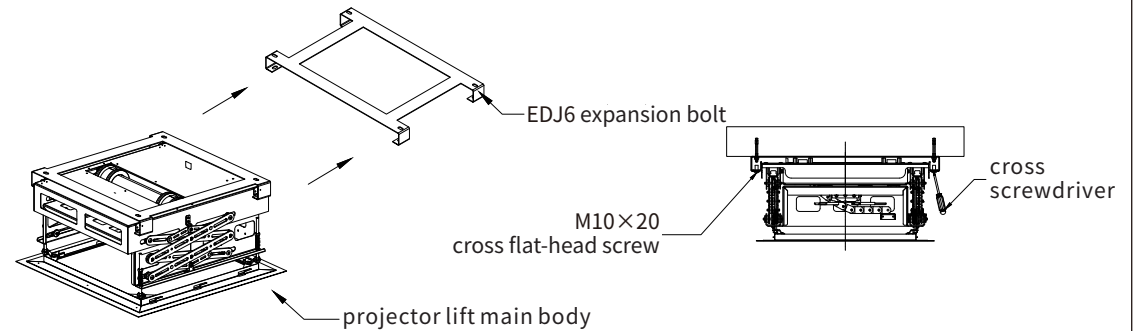


4-gasket

1. Drill holes at preset places, install top board on the wall.

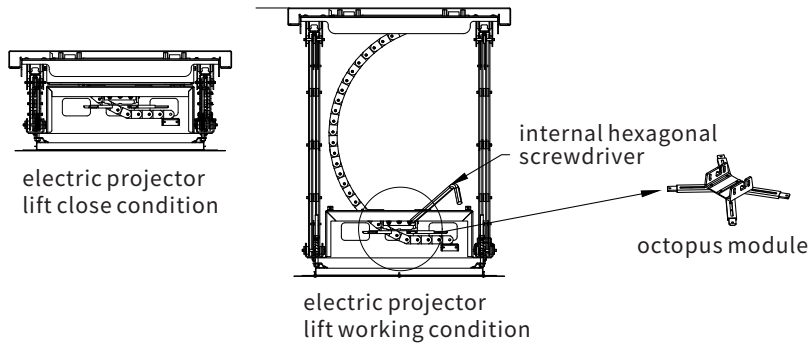


2. Install the projector lift main body on the top board, use M10×20 cross flat-head screws to fix.

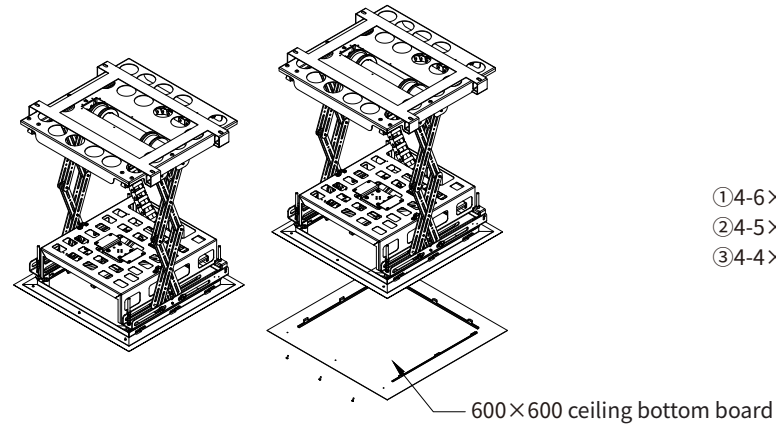


EDJ6 Electric projector lift user manual

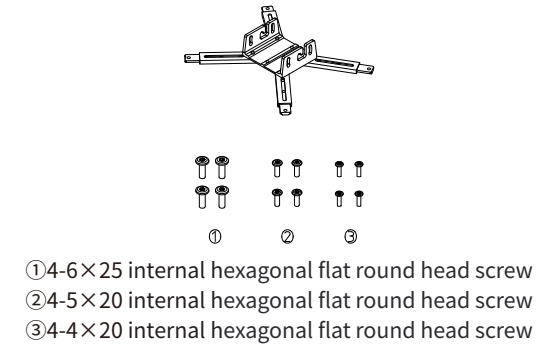
3. Connect with power, adjust electric projector lift working condition, use internal hexagonal screwdriver to loose screws, remove octopus module.



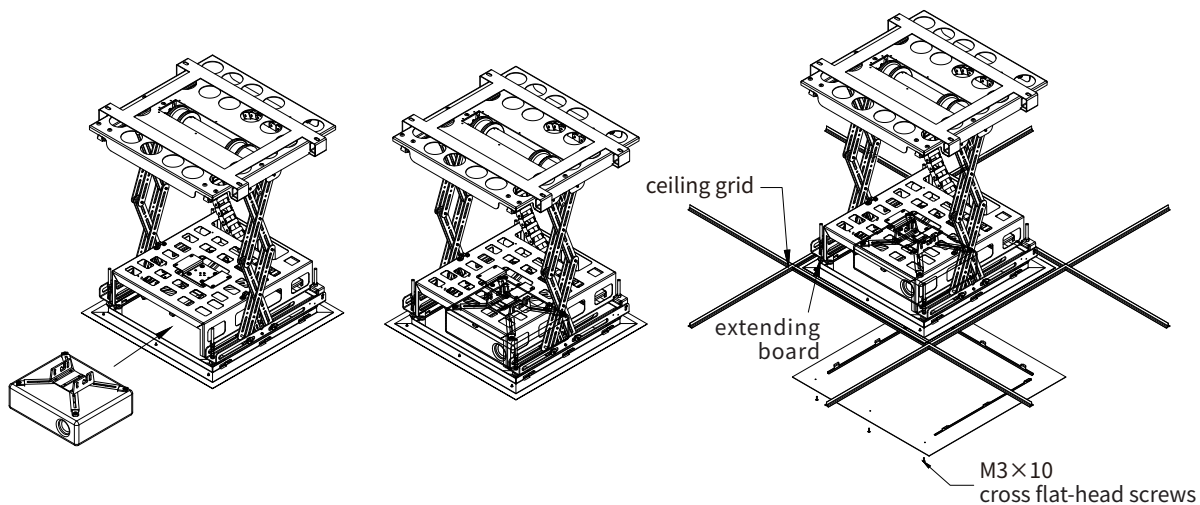
4. Use internal hexagonal screwdriver to remove 600×600 ceiling bottom board.



5. Install octopus module.



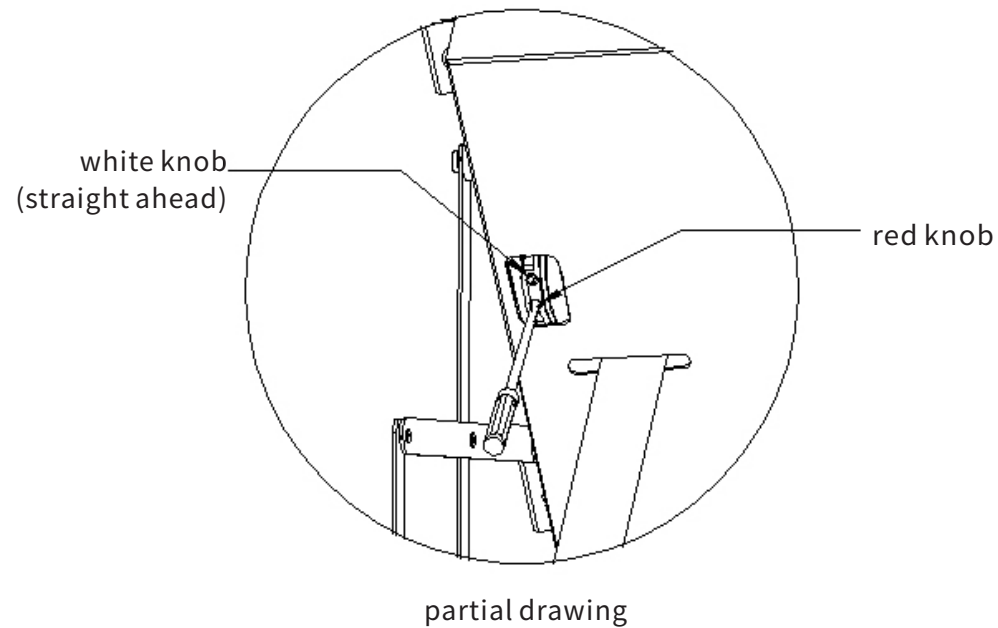
6. ① Install projector into projector lift, then fasten it with internal hexagonal screws.
② According to real situation, rotate extending board, make 600×600 ceiling bottom board match with ceiling grid perfectly.
③ Use internal hexagonal screwdriver to fasten M3×10 cross flat-head screws.



Remote Controller Usage

1. Coding: Power on, the buzzer will ring 10 times slowly (about 10 seconds), press the receiver code button within 10 seconds, press the transmitter "UP" button within 10 seconds, the receiver built-in blue light flash three times or buzzer ring three times fastly, coding is done.
2. Motor reverse: Press the "STOP" button on the transmitter for 5 seconds to wake up the receiver, and the built-in red light of the receiver will blink slowly for 10 seconds, press the "DOWN" button of the transmitter at 10 seconds, and the built-in blue light of the receiver will blink quickly for 3 times, reverse setting is done.
3. Delete single code: Press the "STOP" button on the coded transmitter for 5 seconds to wake up the receiver, the built-in red light in the receiver blinks slowly for 10 seconds. After pressing the "BACK" button of the transmitter for 10 seconds, the built-in blue light in the receiver blinks quickly for 3 times, deleting single code is done.
4. Delete full code: Press the "CODE" button on the receiver for 3 seconds, and the built-in red light in the receiver will blink for 10 seconds, and press the "CODE" button again within 10 seconds, the built-in red light in the receiver will go out, the full code will be deleted successfully.

Adjust stroke



The red knob is the adjustment hole of the upper limit: turn counterclockwise to reduce the upper limit stroke, turn clockwise to increase the upper limit stroke.

The white knob is the adjustment hole for the lower limit: turn counterclockwise to increase the lower limit stroke, turn clockwise to reduce the lower limit stroke.