



Digital Conductivity Meter

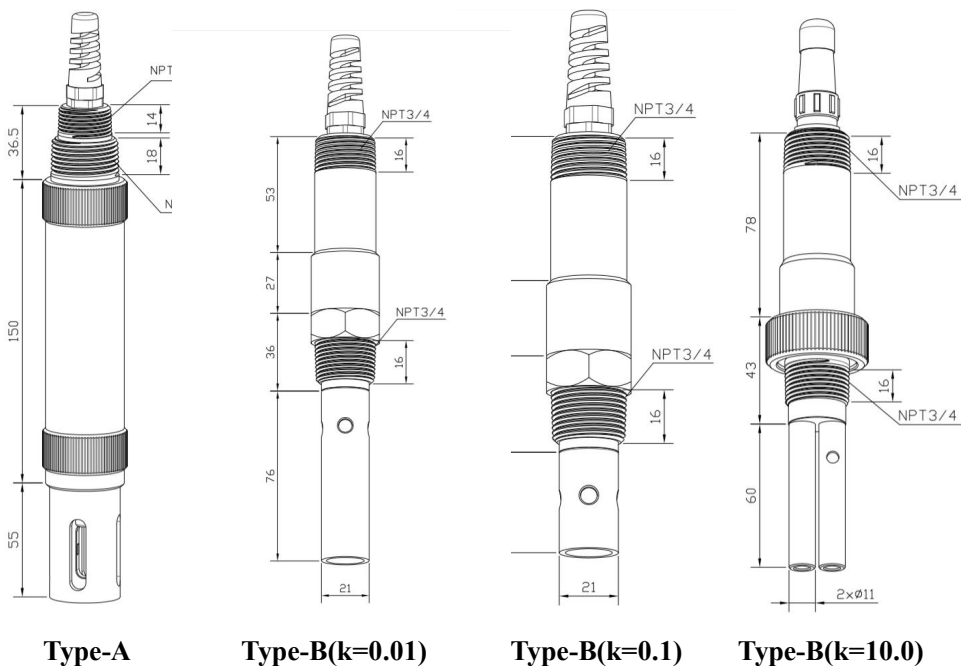
Model : DDG-2080S

Product	Digital Online Conductivity Meter	
Sensor type	With Digital Conductivity Sensor (Sensor with RS485 Modbus)	
Measuring range	0~2000000.00 us/cm(0~2000.00 ms/cm) 0~80.00 ppt 0~9999.00 mg/L(ppm) 0~20.00MΩ -40.0~130.0°C	
Accuracy	2% ±0.5°C	
Power supply	90 – 260V AC 50/60Hz	
Housing material	ABS	
Communication	RS485 Modbus	
Data record	Yes	
Waterproof grade	IP65	
Current output	Isolated type 2 ways of 4-20mA output (pH/ORP.temperature)	
Relay	Two relays for high and low limit One relay for clean	
Overall dimension	144×144×104mm	
Hole size	138×138mm	
Language	English	



BH-485-EC Digital Conductivity Sensor

This BH-485-EC is the latest digital conductivity electrode and developed by BOQU Instrument. The digital conductivity electrode is directly with RS485 Modbus RTU, easy to install, and high accuracy, quick response, it can work stably for a long time. Built-in temperature probe, instant temperature compensation. Strong anti-interference ability, the longest output cable can reach 500 meters. It can be set and calibrated remotely, and the operation is simple. The digital conductivity sensor can be widely used to monitor the electrical conductivity of thermal power, chemical fertilizer, metallurgy, environmental protection, pharmaceutical, biochemical, food and tap water solutions.



Type-A

Type-B(k=0.01)

Type-B(k=0.1)

Type-B(k=10.0)

Type	BH-485-EC			
Conductivity	0.01	0.1	1	10
TDS	×	×	√	×
Salinity	×	×	×	√
Range	0~20us/cm 0~50°C	0~200us/cm 0~50°C	0~2000us/cm 0~2000ppm 0~50°C	0~100ms/cm 0~80.0ppt 0~50°C
Accuracy	±1%FS ±0.5°C	±1%FS ±0.5°C	±1%FS ±0.5°C	±1%FS ±0.5°C
Resolution	0.01us/cm 0.1°C	0.01us/cm 0.1°C	1us/cm 1ppm 0.1°C	0.01ms/cm 0.1ppt 0.1°C
Power	9~36V DC			
Protocol	RS485 Modbus RTU			