



Digital pH/ORP Meter

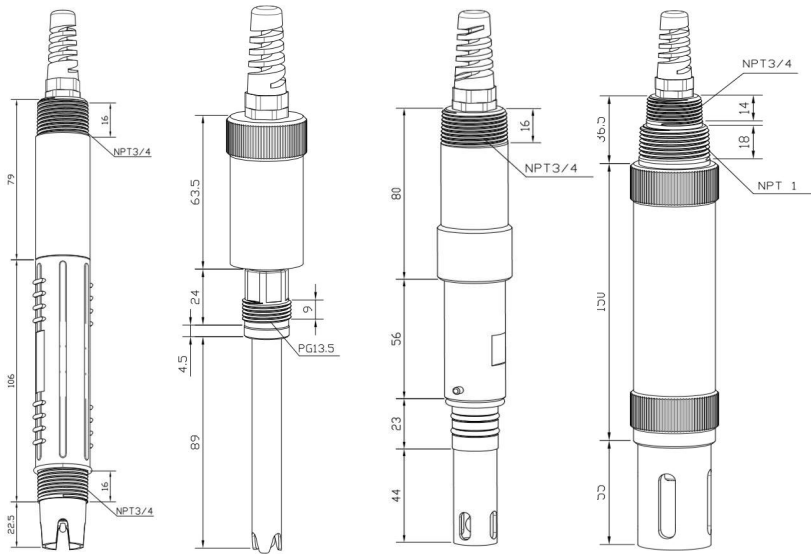
Model : PHG-2081S

Product	Digital pH/ORP Meter
Sensor type	With Digital pH/ORP Sensor (Sensor with RS485 Modbus)
Measuring range	-2.00~16.00 pH -2000~+2000mV -30.0~130.0°C
Accuracy	±0.01pH ±1%FS ±0.5°C
Resolution	0.01pH 1mV 0.1°C
Power supply	90 – 260V AC 50/60Hz
Housing material	ABS
Communication	RS485 Modbus
Data record	Yes
Waterproof grade	IP65
Current output	Isolated type 2 ways of 4-20mA output (pH/ORP.temperature)
Relay	Two relays for high and low limit One relay for clean
Overall dimension	144×144×104mm
Hole size	138×138mm
Language	Two language (English and Chinese)





Digital pH/ORP Sensor



■ Characters

- The characteristics of industrial sewage electrode, can work stably for a long time
- Built in temperature sensor, real-time temperature compensation
- RS485 signal output, strong anti-interference ability, the output range of up to 500m
- Using the standard Modbus RTU (485) communication protocol
- The electrode parameters can be achieved by remote settings, remote calibration of electrode
- 12VDC,24V DC power supply.

■ Technical specifications

Model	BH-485-pH	BH-485-ORP
Parameter	pH, Temperature	ORP, Temperature
Measure range	pH:0.0~14.0;Temp:(0~50.0)°C	ORP:±0.1mv;Temp:(0~50.0)°C
Accuracy	pH:±0.1pH;Temperature:±0.5°C	ORP:±0.1mv;Temperature:±0.5°C
Resolution	pH:0.01pH;Temp:0.1°C	1mV;Temperature:0.1°C
Power supply	12VDC,24V DC	
Power dissipation	1W	
communication	RS485(Modbus RTU)	
Cable length	Standard 5 meter, it can be extended	
Installation	Submerged type, pipeline, flow-through	