



## Online Digital Turbidity Meter

**Model : TBG-2088S**

### Working Principle

TBG-2088S Digital turbidity meter is precision and reliable turbidity meter for continuous turbidity measurement according to international standard.it adopts digital turbidity sensor by RS485 Modbus RTU.this turbidity meter has long working service time,fast and easy calibration, verification within seconds.it can be matched with different turbidity sensors that with RS485.

### Application

Drinking and process water,Raw water inlet,Settled water turbidity,Final water turbidity,Waste water effluent turbidity,Fire hydrant monitoring,Process monitoring,Swimming pool clarity monitoring,distribution network,Cooling water turbidity monitoring,Filter monitoring and filter backwash in water work etc

### Technical Specification of Turbidity Meter

Name	TBG-2088S Online Turbidity Meter
Measure range	0-100.00,0~3000.00 , 0-4000.00,10000.00 NTU
Power Supply	90 – 260V AC 50/60Hz
Current Output	4-20mA (turbidity)
Relay	5A/250V AC, 5A/30V DC
Communication	RS485 Modbus
Accuracy	±2%
Datalogger	Yes
Protection	IP65
Dimension	144×144×104mm
Hole size	138*138
Dimension	144×144×104mm
Note	It can work with any brand turbidity sensor that's with RS485

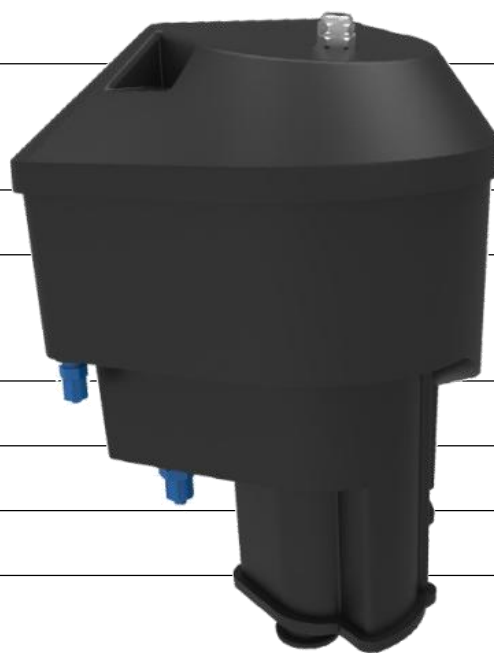


## Technical Parameters


The BOQU digital turbidity sensor use the infrared absorption scattered light method and combined with the application of ISO7027 method, can guarantee the continuous and accurate detection of turbidity. Based on ISO7027, infrared double scattering light technology will not be affected by chroma for the measurement of turbidity value. According to the usage environment, self-cleaning function can be equipped with. It assures the stability of data and reliability of performance; with the built-in self-diagnosis function, it can make sure the accurate data be delivered; besides, the installation and calibration is quite simple.

## Technical Specification of Turbidity Sensor (Flow-through)

Product	ZDYG-2088A-01 Digital Turbidity Sensor
Range	0.001-100NTU
Accuracy	±2% if 0.001~40NTU or ±0.015NTU ±5% if in 40-100NTU.
Material	Body:ABS + SUS316 L
	Sealing Element: Acrylonitrile Butadiene Rubber
	Cable: PVC
Power	12VDC
Flow rate	300ml/min≤X≤700ml/min
Pipe Fitting	Injection Port: 1/4NPT; Discharge Outlet: 1/2NPT
Storage Temp	-15~65°C
Calibration	Standard Solution Calibration, Water Sample Calibration, Zero Point Calibration
Cable Length	Three-meter standard cable, it is not recommended to extend.
Warranty	One year
Dimension	Length 310mm*Width 210mm*Height 410mm



**Technical Specification of Turbidity Sensor (Submerged installation)**

Product	ZDYG-2088-01 Digital Turbidity Sensor		
Range	0.01-100 NTU ,0.01 – 4000 NTU		
Communication	RS485 Modbus		
Sensor Materials	Main Body:SUS316L (Ordinary Version), Titanium Alloy (Seawater Version) Upper and Lower Cover:PVC Cable: PVC		
Indication Resolution	Less than $\pm 5\%$		
Pressure	$\leq 0.4\text{Mpa}$		
Protection	IP68		
Flow velocity	$\leq 2.5\text{m/s}, 8.2\text{ft/s}$		
Storage Temp	$-15\sim 65^{\circ}\text{C}$		
Working Temp	$0\sim 50^{\circ}\text{C}$		
Calibration	Sample Calibration, Slope Calibration		
Cable Length	Standard 10-Meter Cable, Max Length: 100 Meters		
Power Supply	12 VDC		
Warranty	1 year		
Size	Diameter 60mm* Length 256mm		
Dimension	