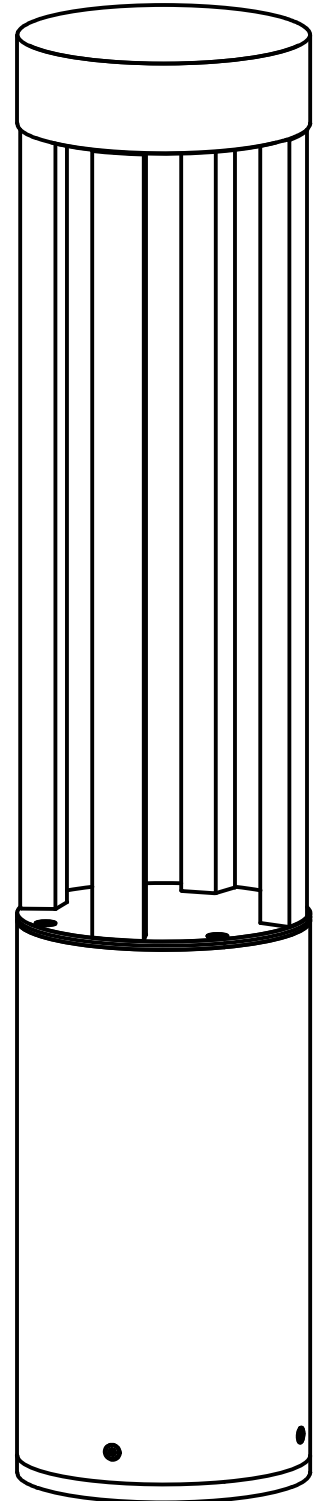
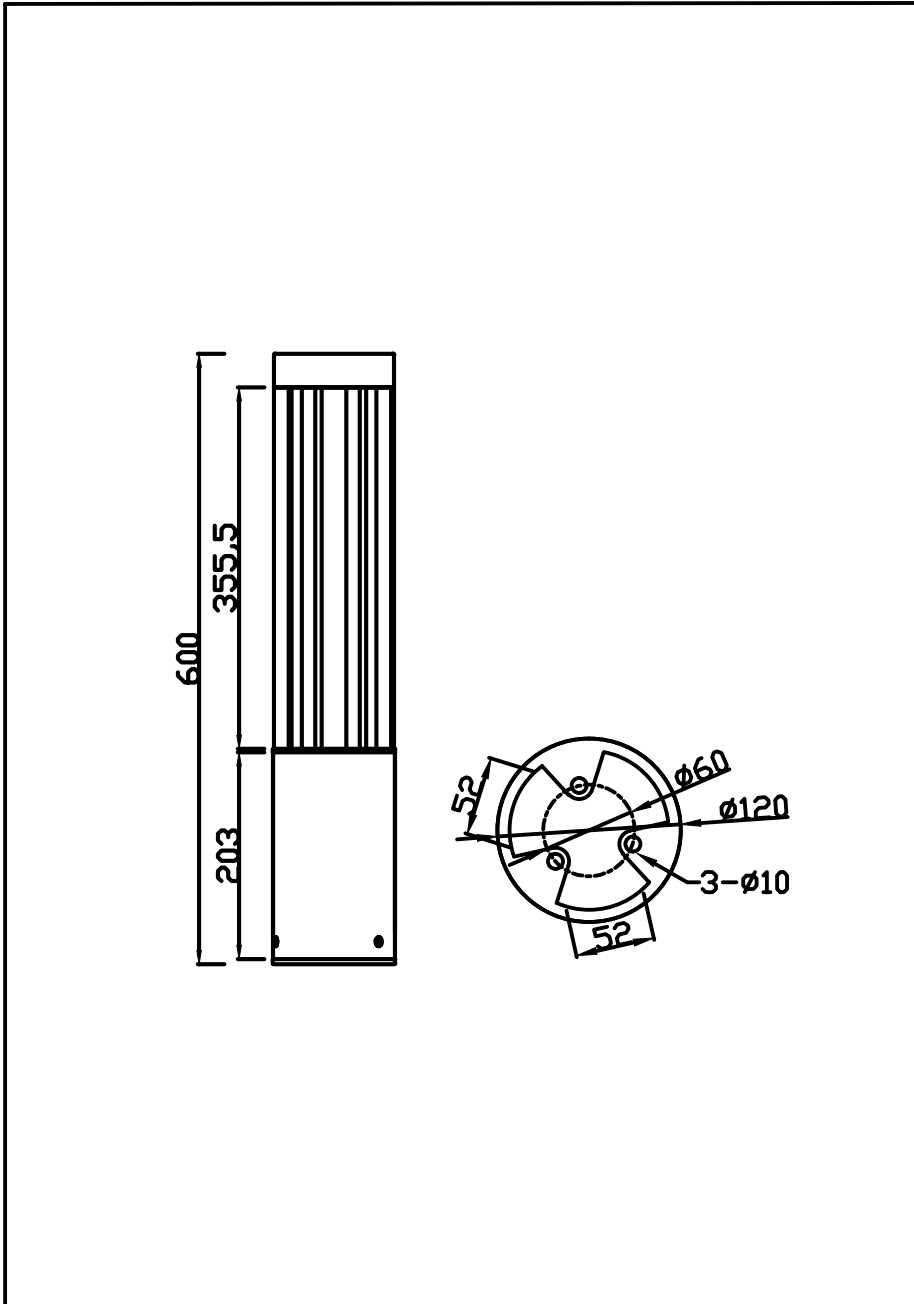




CHZ-CPL03C series

INSTALLATION & MAINTENANCE MANUAL



INSTALLATION MANUAL

