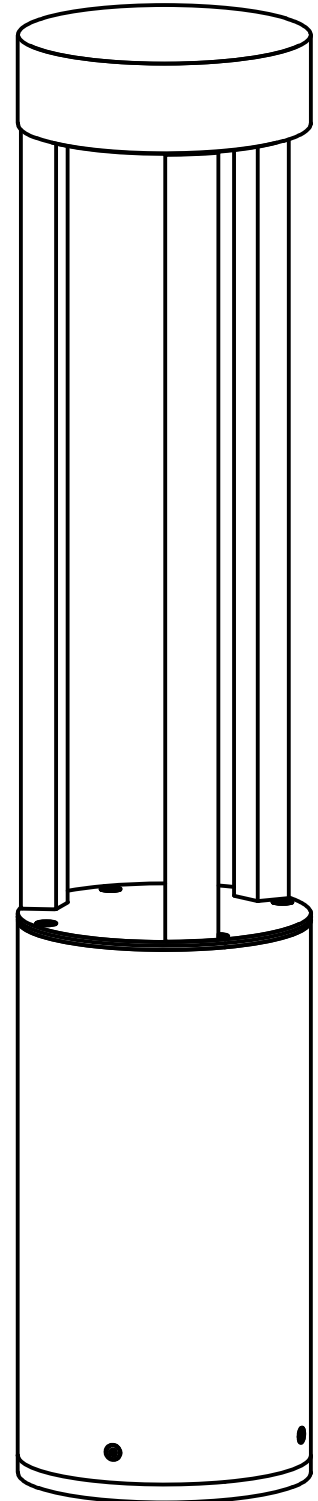
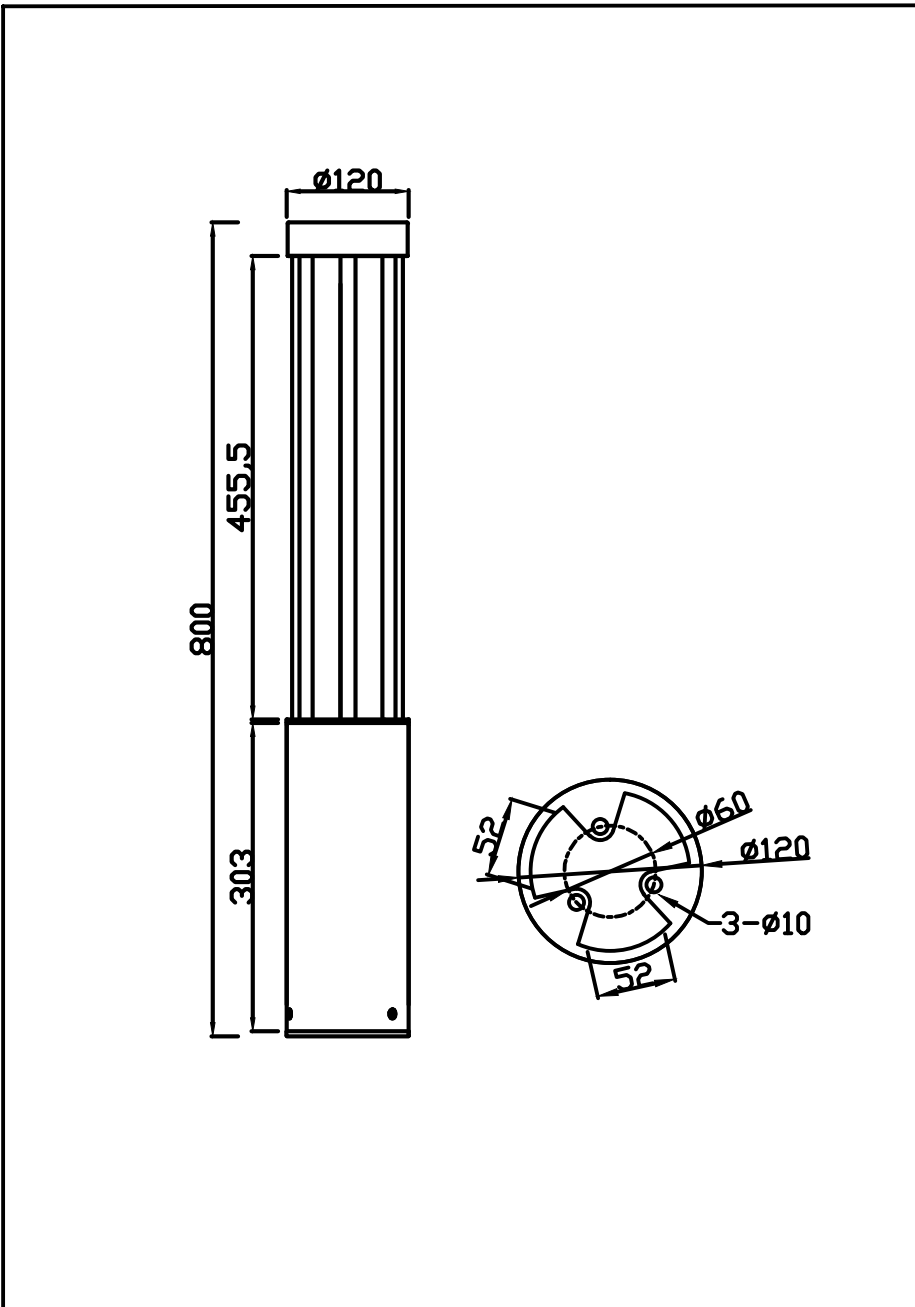




CHZ-CPL03B series
INSTALLATION & MAINTENANCE MANUAL



INSTALLATION MANUAL

