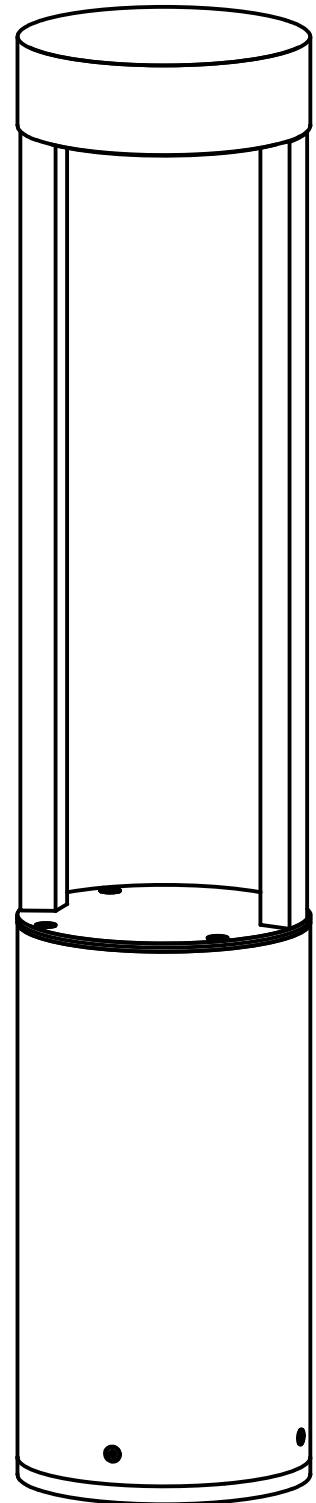
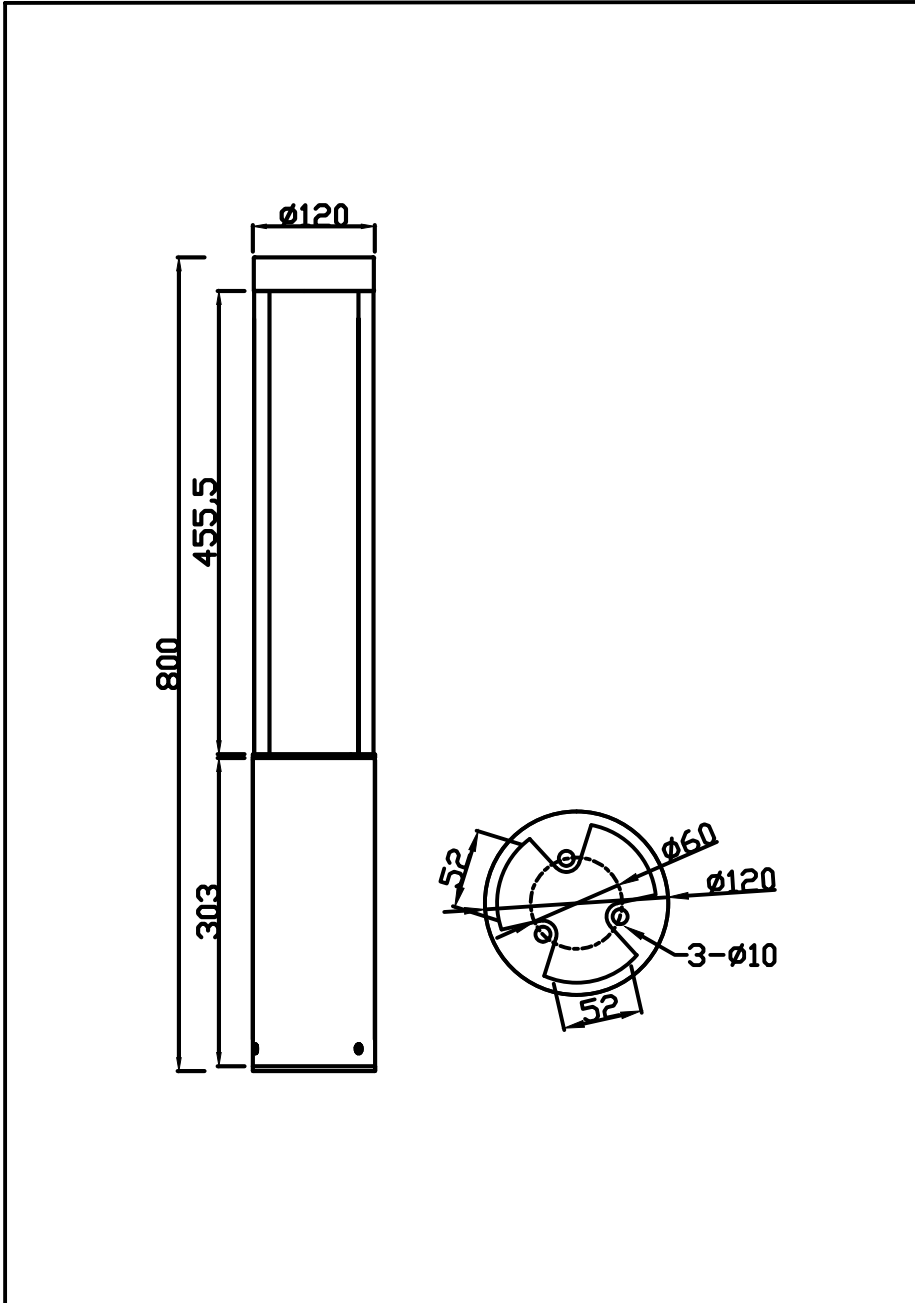


CHZ-CPL03A series

INSTALLATION & MAINTENANCE MANUAL



INSTALLATION MANUAL

CHz[®]

