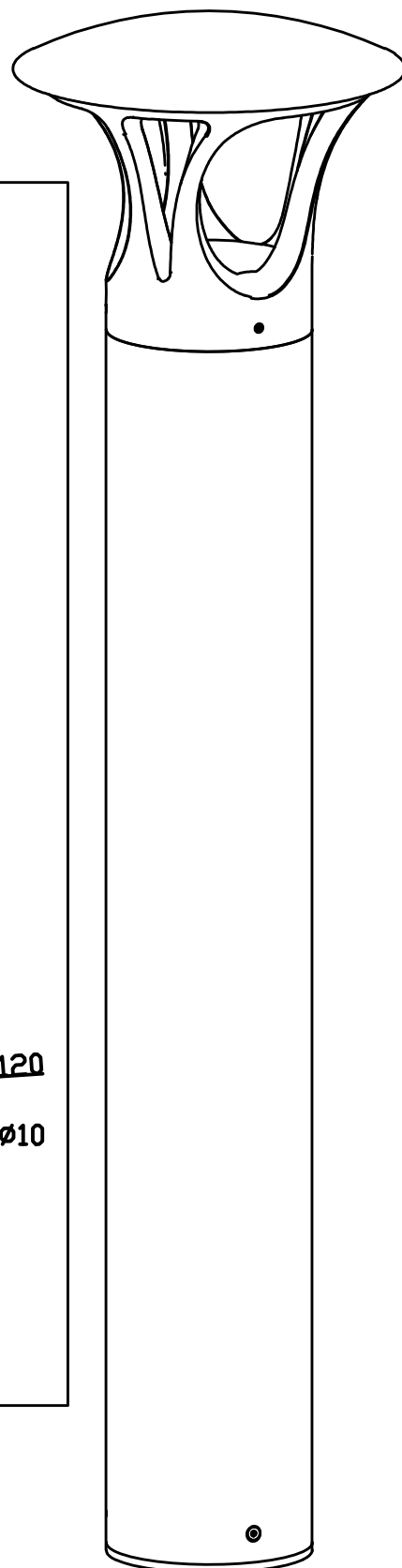
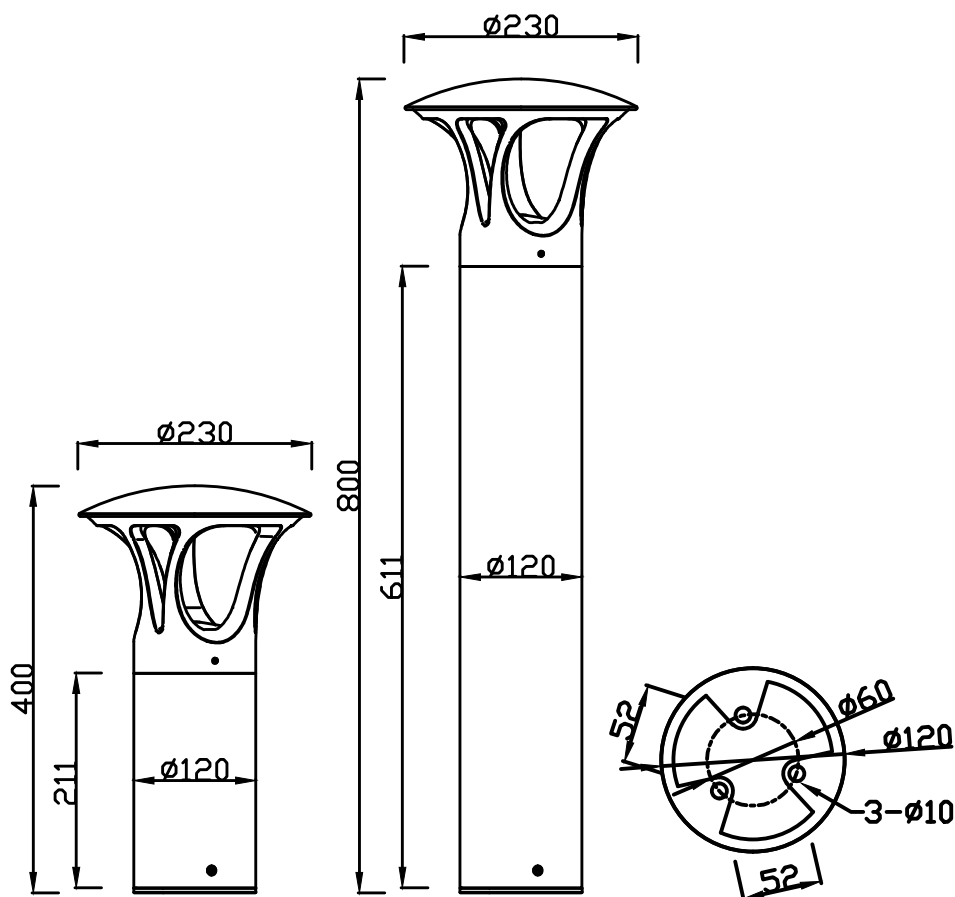


CHZ-CPL02 series

INSTALLATION & MAINTENANCE MANUAL

DLLW-LED-060



INSTALLATION MANUAL

