

CHZ-CPL04 series LED LAWN LIGHT

FEATURES

Mainbody is made of die-casting aluminum alloy. The diffuser is a clear anti-UV glass for high efficiency and vandal resistance.

Lumileds 2835 LED chip and Eaglerise driver as regular, Osram Kegu driver optional. Easy access to LED and driver via a removable head.

2700-6500K, 3 CCT color temperature options. Tamper proof fixings for increased vandal resistance.

IP65 rating water proof level and IK08 protection degree.

Anti-UV electro static powder spraying, regular color: Black, Silver, RAL 7043, RAL 7016. Warranty is 5 years.



CPL04A



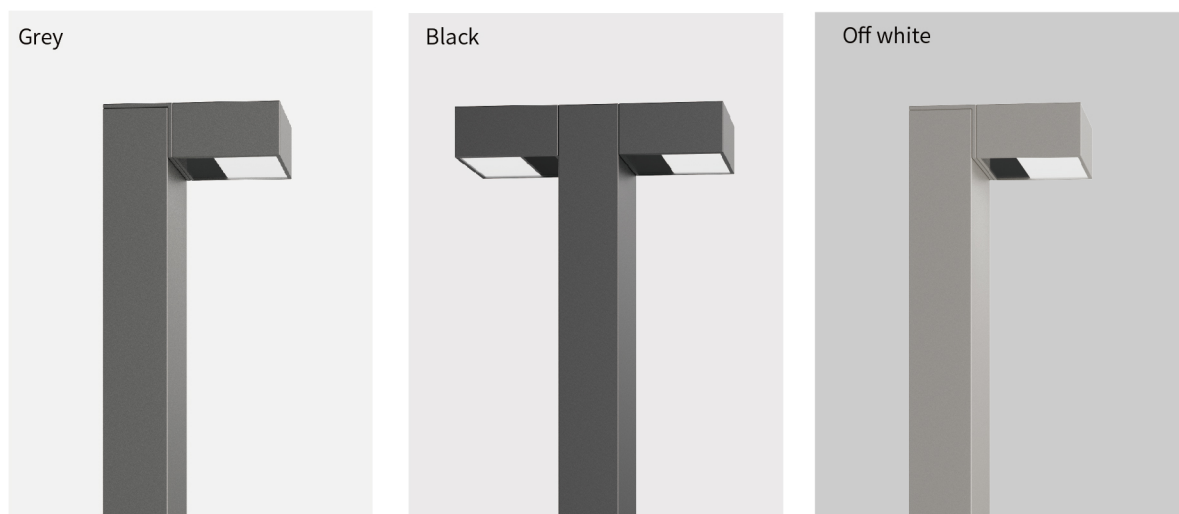
CPL04B

Specification

Product Number	CPL04-800A	CPL04-1000A	CPL04-800B	CPL04-1000B
Rated Power	10W-15W	10W-15W	20W-30W	20W-30W
Input Voltage	200-240V			
Type Of Driver	OSRAM, KEGU, EAGLERISE			
Chip Type	SMD2835			
Led Light Luminous	>100LM/W			
Beam Angle	TYPE II TYPE III TYPE IV			
Control method	Regular, 0-10V/DALI dimming, optional			
Sensor	/			
Power factor	>0.9			
Color rendering index	>80			
Frequency Range	50/60Hz			
Color Temp	2700-6500K			
Lamp body material	AL Body, PC lens and GLASS cover			
Installation diameter	/			
Working Temperature	-40~55°C			
Working Humidity	10~90%			
Life/Warranty	>50,000hrs			
IP Grade	IP65			
IK Grade	IK08			
Product height	80mm	100mm	80mm	100mm
Product Size	160X150mm	160X150mm	260X150mm	260X150mm

01

Color options



02

LED lawn light

Widely used in outdoor environments such as city parks, country roads, slow lanes, industrial parks, leisure plazas, and etc.



Walkways



Parks / Gardens



Car parks



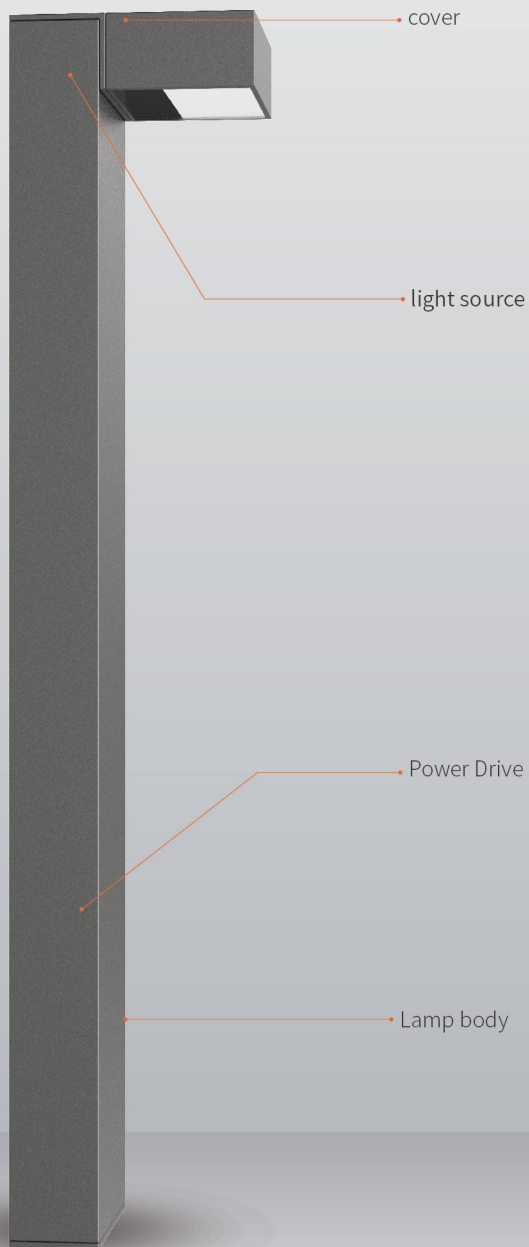
Prestigious



Retail



Amenity



DETAIL DISPLAY



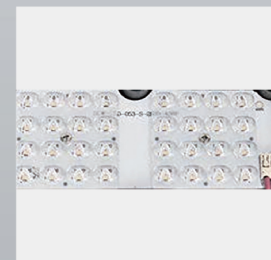
DETACHABLE HEAD



DIE CASTING INNER BASE



INJECTION OPAL & FROSTED DIFFUSER

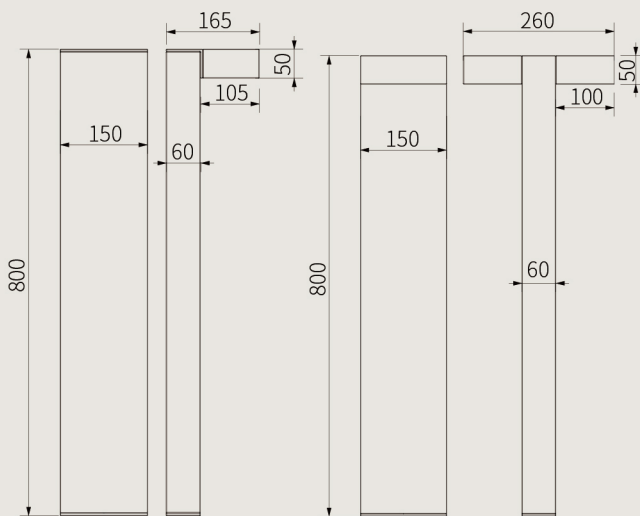


LED LENS OPTIONS

Demension

The result of high permeability glass lens is very uniform light distribution, and the light will not turn yellow. The built-in design reduces glare and ensures good visual comfort.

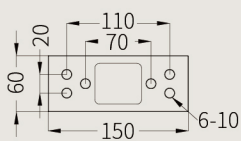
Product size:



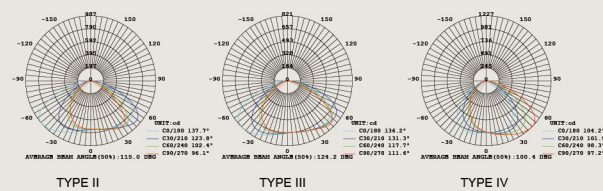
03

04

Product installation diagram:



Product lighting:







SHANGHAI CHZ LIGHTING CO.,LTD

21 6989-8169

86 133 9137 5176 | 86 159 2122 3752

www.chz-lighting.com

Sales@chz-lighting.com

No.518 Xiangjiang Road, Jiading, Shanghai, China.