

RK300-01 Wall-mounted Barometric Pressure Sensor with small size, reliable performance, high precision, long transmission distance, strong anti-jamming capability, which is widely used in meteorology, marine, environment, airports, ports, laboratory, agricultural and transportation and other fields.

FEATURES

- High Sensitivity
- Low temperature Drift
- LCD display optional
- Light construction
- Internal Auto compensation
- Temperature compensation



APPLICATIONS

- Environmental monitoring
- Livestock farm
- Storage
- Wind resource assessment
- Greenhouse
- Agriculture

TECHNICAL SPECIFICATION

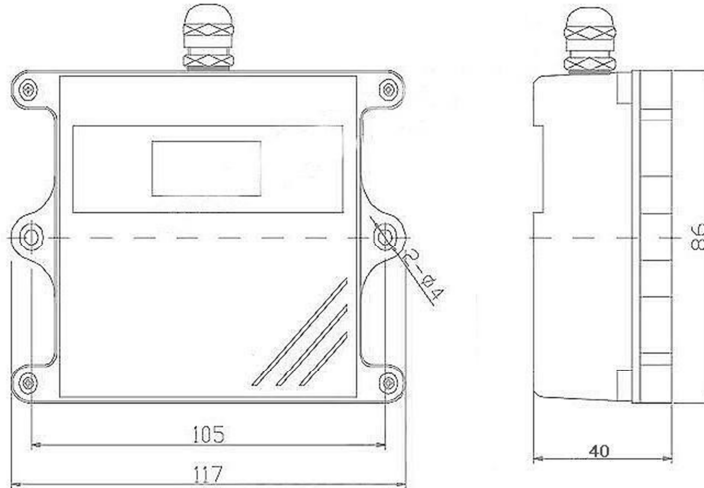
Item	Technical Specification
Range	50-1100mB,
Response	≤15mA active; ≤1mA response
Accuracy	±1mB(-20~45°C)
Temperature Drift	≤0.02%FS/□
Supply	12V
Output Signal	0-2.5V
Operating Temperature	-40□-+75□
Ingress Protection	IP65
Storage	10-60□@20%-90%RH
Dimensions	117 *86*40 mm
Weight(unpacked)	155g

MOUNTING

1. Install the product in stable environment area, avoid direct sunlight, away from windows air-conditioning, heating and other equipment. Otherwise it will cause atmospheric pressure measurement inaccuracies.
2. It is recommended to install in the cabinet open to the atmosphere, for example: instrument shelter

DIMENSION


Unit:mm



PARAMETER SELECTION TABLE

Remark	Series	Type	Supply	Range	Output	Cable Length	
RK							
	300						
		01					
			A				5V
			B				12-24V(typ.)
			X				Other
				A			0-110kPa
				B			60-110kPa
				C			80-110kPa
				X			Other
					A		4-20mA
					B		0-5V
					C		0-10V
					D		RS485
					X		Other
						2000	Units:mm (typ)
						3000	Units:mm
						...	Units:mm

Example: RK300-01BAB2000 Supply:12-24V, Range:50-1100kPa Output:0-5V Cable Length:2m.

 Complies with applicable CE directives.

Specifications subject to change without notice. Version 1.0
Copyright © 2015 Hunan Rika Electronic Technology Co.,Ltd

Hunan Rika Electronic Technology Co., Ltd

Add:No 499# of Yingxin Road,
Yuhua District,Changsha,
Hunan,China



+86-731-85132979



info@rikasensor.com



www.rikasensor.com.cn