

The probe of the TDS sensor is made of stainless steel and has the characteristics of stable performance, high sensitivity and wide application range. The TDS sensor is simple in structure, stable in performance, easy to operate, and is used for on-site monitoring of liquid water and salt dynamics. In addition, it can also be used in ordinary water treatment, tap water, surface water, industrial water, reverse osmosis, seawater desalination, circulating water and other water treatment equipment sockets or flow cell installation to measure its conductivity.

FEATURES

- real-time measurement
- With temperature compensation
- High accuracy
- Simple operation and high reliability
- Fast response
- Strong in corrosion resistance



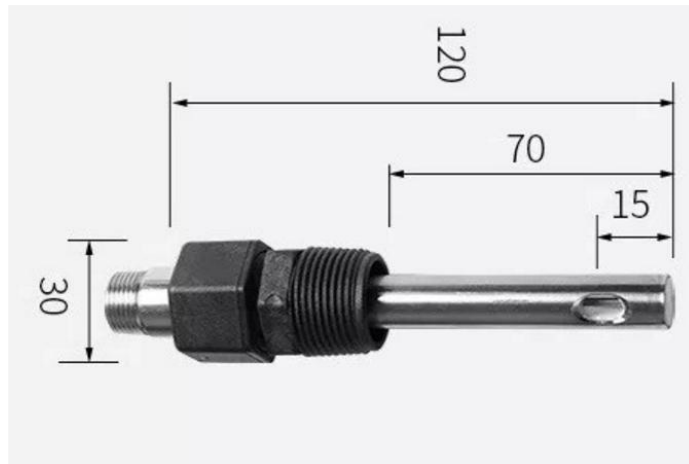
APPLICATIONS

- Environmental protection
- Aquaculture
- Water source monitoring
- Environmental monitoring
- Sewage treatment

TECHNICAL SPECIFICATION

Item	Technical Specification
Range	0~2000ppm
Supply	7-30VDC
Accuracy	±1%
Response time	<1s
Output Signal	4-20mA & RS485
Pressure resistance range	0-4bar
Principle	Frequency conversion method
Temperature range	0-60°C
Installation interface	G3/4
Ingress Protection	IP68
Probe material	316L or ABS(Strongly corrosive liquids)
Storage	10-60°C@20%-90%RH
Weight	0.5kg
Cable length	Default:5m

INSTALLATION DIAGRAM



Complies with applicable CE directives.
Specifications subject to change without notice. Version 1.0
Copyright © 2015 Hunan Rika Electronic Tech Co.,Ltd

Hunan Rika Electronic Tech Co., Ltd
Add: Building B5, Taskin, Yuhua District,
Changsha City, Hunan Province,
China



+86-731-85132979



info@rikasensor.com



www.rikasensor.com