

RKL-03 Ultrasonic Liquid Level Transmitter is a kind of non-contact, high reliability, high cost performance, easy installation and maintenance of material level measuring instrument. It doesn't have to contact medium can meet the requirements of most of the material level measurement. Firing pulse and receives the pulse interval and the antenna to the surface of the measured medium is proportional to the distance, to calculate the distance on the surface of the antenna to the measured medium. The product can cooperate with RK600-01 data logger or general recording instrument is used.

FEATURES

- Range of up to 30 meters
- Level or material measurement
- Good stability
- Response speed is adjustable
- With LCD display, menu settings
- Easy Installation



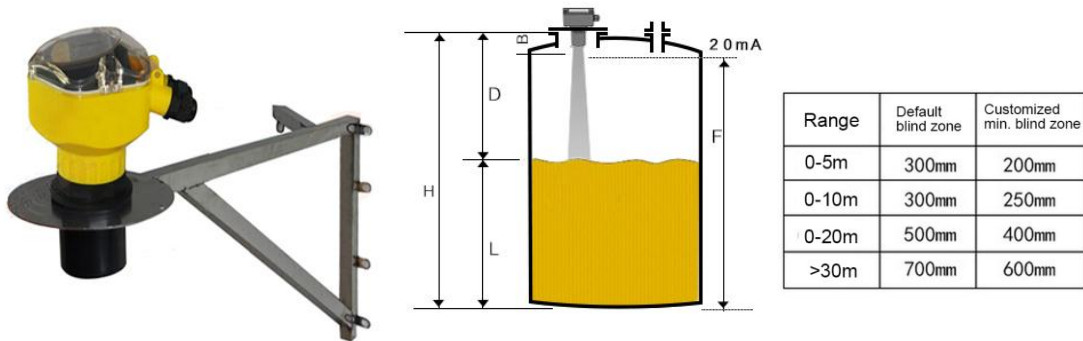
APPLICATIONS

- River water level measurement
- Lake water level measurement
- Shallow water level measurement
- Hydrographic survey
- Material level measurement
- Environmental protection

SPECIFICATIONS

Item	Technical specifications
Range	5m,10m,15m,20m,30m
Output	4-20mA(2wires),4-20mA(4wires),RS485(4wires)
Supply Voltage	24VDC,220VAC
Accuracy	0.5%-1%
Resolution	±3mm or 0.1%FS(take the maximum value)
Display	LCD with English
Control output(optional)	Relay AC250V/8A or 30V/5A
Power consumption	4-wire,without relay:1.9W 4-wire,with relay:3.1W 2-wire,without relay:0.72W
Ingress Protection	Probe:IP68,Display unit:IP66
Operating Temperature	Probe:-40°C~ +85°C,Display unit:-20°C~ +60°C
Housing material	Anti-aging corrosion resistant engineering plastics
Process connection	Range=0-5m:M48*2 Range=0-10m:G2 or M60*2 Range=0-20m:G3 or M78*2 Range=0-30m:G3 M78*2 Range>30m:M108*2
Menu setting	Reference zero point, maximum of measuring range,minimum of measuring range,alarm point,Return difference setting,working mode,response time,parameter correction,communication setting etc.
Storage Condition	10°C-50°C@20%-90%RH

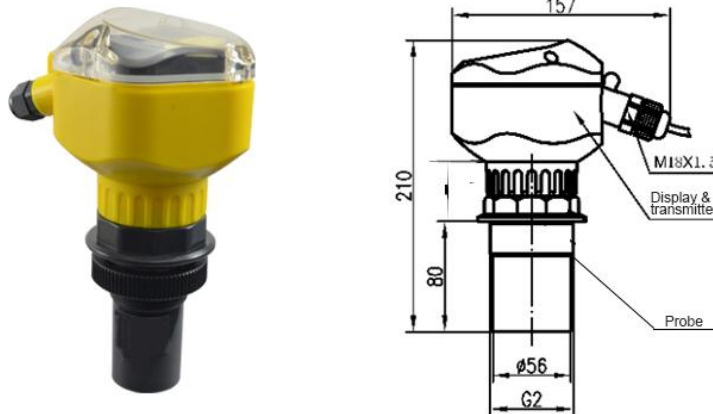
MOUNTING



H:mounting height, B:Blind zone, L:liquid/material level height, F:range height

DIMENSION

Unit:mm



PARAMETER SELECTION TABLE

Remark	Series	Supply	Output	Blind zone	Range	
RKL						
	03					
		A				24VDC
		B				220VAC
		X				Other
			A			2-wire 4-20mA, Without relay
			B			4-wire 4-20mA, Without relay
			C			4-wire 4-20mA,With relay
			D			4-wire RS485,Without relay
			E			4-wire RS485,With relay
			X			Other
				D		Default
				X		Customized
					xx m	5m,10m,15m,20m,30m,40m,50m,60m

Example: RKL-03AAD5m Supply: 24VDC, Output:2-wire 4-20mA, Without relay,Blind: default, Range:5m..



Complies with applicable CE directives.
Specifications subject to change without notice. Version 3.0
Copyright © 2015 Hunan Rika Electronic Tech Co.,Ltd

Hunan Rika Electronic Tech Co., Ltd

Add: Building B5, Taskin, Yuhua District,
Changsha City, Hunan Province,
China



+86-731-85132979



info@rikasensor.com



www.rikasensor.com