

Based on piezo-resistive silicon technology, differential pressure transmitter uses silicon differential pressure sensors with stainless steel isolated diaphragm as measuring elements. Made of 316L stainless steel and designed of rigid and robust construction, which has a feature of that zero point and full range can be adjusted. It is suitable for application in harsh environment and measurement with corrosive pressure media. This product has widely been used for measurement of differential pressure of pipeline fluids in petroleum industry, chemical industry, electric power hydrology etc.

FEATURES

- Easy to install, small size
- Perfect long term stability
- Zero point and full range can be adjusted
- Have short-circuit protection
- Have reverse polarity Protection



APPLICATIONS

- Industrial Process testing and control
- Air testing
- Available to Oxygen, CO2, Nitrogen, gas steam
- Airflow testing
- Purification workshop

TECHNICAL SPECIFICATION

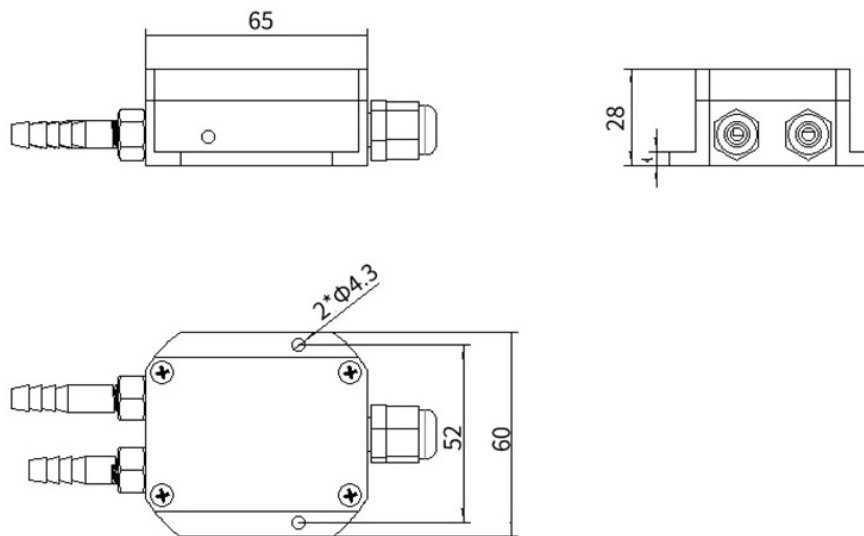
Item	Technical Specification
Pressure medium	gas liquid compatible stainless steel
Pressure ranges	0pa -200pa100 kpa
Overload pressure	<300%FS
Pipe hydrostatic pressure	3 ,5 , 10 times of Full pressure , 20Mpa
Output signal	4~20mA, 0~5V, 0~10V, 1~5V
Accuracy	0.5%FS (standard)
Load resistance	RL = (U-10)/0.02(ohm) (4~20mA current output)
Long term stability	<0.25%FS/year
Supply voltage	12~30Vdc
Media temperature range	-30~70°C
Operating temperature range	-40~+85°C
Storage temperature range	-10~+70°C
Temperature coefficient of zero	0.3%FS/10°C
Temperature coefficient of span	0.3%FS/10°C

RK300-12 Differential Pressure Transmitter

Insulation resistance	>100M(ohm)@ 50VDC
Process connection	G1/4 or others
Electrical connection	DIN 43650 or others
Material of pressure membrane	316L
Material of housing	304SS,Aluminium alloy
Electromagnetic compatibility	Electromagnetic radiation: EN50081-1/-2; Electromagnetic sensitivity: EN50082-2;
Lightning proof A	Air-conduction pressure : 8000V, Shell & cable conduction pressure: 4000V
Weight	300g
IP grade	IP65

DIMENSION

Unit:mm






CE Complies with applicable CE directives.

Specifications subject to change without notice. Version 3.0

Copyright © 2015 Hunan Rika Electronic Tech Co.,Ltd

Hunan Rika Electronic Tech Co., Ltd

Add: Building B5, Taskin, Yuhua District,
Changsha City, Hunan Province,
China

 +86-731-85132979
 info@rikasensor.com
 www.rikasensor.com