

The forward scatter measurement principle and unique design ensure the output accurate and reliable in all weather conditions and will not be influenced by local lights sources, even the flash. With a measurement range of 10m to 10km, the sensor is made of stainless steel, suitable for harsh environments.

Finished with a high quality powder coat, the sensor will provide years of reliable service. Heating of the optical windows and sensor hoods is provided as standard allowing use in the harshest of conditions. Both optical windows are monitored for contamination and the visibility output is automatically compensated to reduce maintenance requirement.

FEATURES

- Applicable to highway, port, ship and environmental visibility detection
- Strong and lightweight
- Hood heating for use in extreme environments
- Simple structure, good working stability, high reliability, low energy consumption, easy to use and maintain
- Not affected by local lights
- Low maintenance requirement

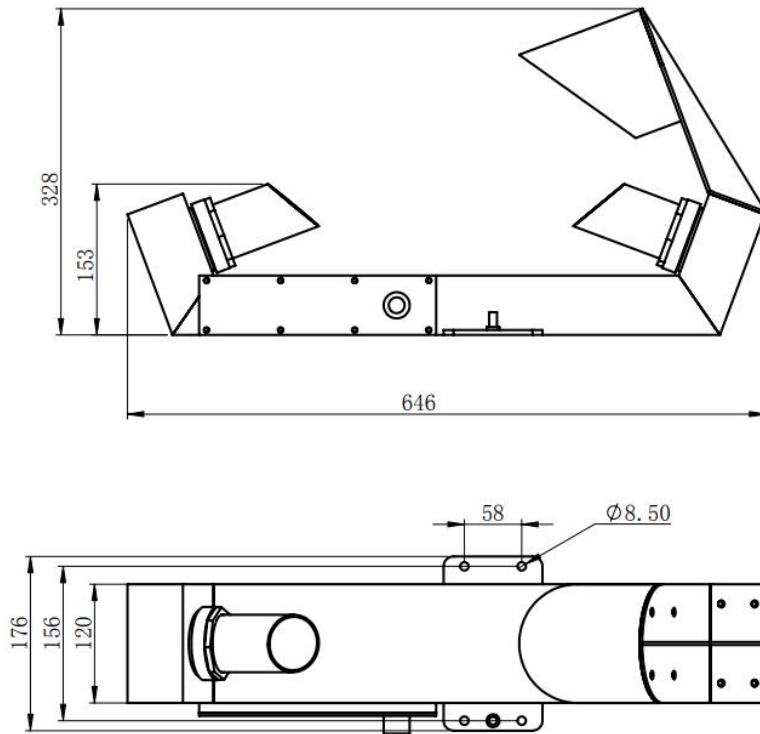


TECHNICAL SPECIFICATION

Item	Technical Specification
Measurement Range	5m-10km (Typ.), 5m-30km, 5m-50km (Opt.)
Measurement Principle	Forward scatter
Resolution	1m
Accuracy	±50m when visibility 600m, ±10% when visibility > 600m
Data update rate	1s (default)
Supply	12-24VDC
Output	RS485, RS232
Power Consumption	Approx.1W, (heating: 6W MAX.)
Dimension	646*328*176mm
Installation	Hoop installation
Lifetime	>10 Years
Operating Temperature	-40°C-+50°C@0-100%RH (no condensation)
Weight	20kg
Shell Material	Stainless steel

DIMENSION

Unit:mm



 Complies with applicable CE directives.

Specifications subject to change without notice. Version 4.0

Copyright © 2015 Hunan Rika Electronic Tech Co.,Ltd

Hunan Rika Electronic Tech Co., Ltd

Add: 10th Bd, International Enterprise Center,
No.268 Xinxing Rd, Yuhua Dist,Changsha,
410116 Hunan, China.



+86-731-85132979



info@rikasensor.com



www.rikasensor.com