

东莞市华文新能源有限公司

Dongguan Huawen New Power Co.,Ltd.



Focus On Solving Lithium Battery Pack Management
Technology, A Industry Leader Since 2015- Huawen

www.huawennewpower.com

Company Introduction

Huawen New Power Co., Ltd, established in 2015, with around 1500 square meters, is a professional developer and manufacturer of innovative battery solutions. We devote to producing and supplying high quality rechargeable batteries for today's market.

Our R&D team is well experienced in products design, development and electronic circuits (PCM/BMS) design. Our partners include major OEM/ODM in the consumer electronics, energy storage, home & garden tool, E-Bike, safety/security, medical, personal transportation and data storage etc.

Huawen believes that quality is the cornerstone of corporation development, and our company is strictly following ISO9001:2015 standard in establishing and improving our quality control system. From raw material procurement & inspection, production process control and product shipment, we have a consummate, scientific and systematic operation standard to guarantee the quality and stability of our products. Products by Huawen qualified by UL, CB, KC, PSE, GB31241, 2013/56/EU, 2006/66/EC, UN38.3, MSDS, safety reports by air and by sea.

Fine quality, timely delivery, consummate service and competitive prices enable Huawen to keep attaining praises from our domestic and foreign clients. We, Huawen people with the greatest passion and faithfulness, are willing to strive together with our customers in making common progress and creating a bright future!

公司简介

东莞市华文新能源有限公司成立于2015年，占地面积1500平方，是一家具有创新精神、专业从事提供电池解决方案的开发商和生产厂家。我们致力于高性能高品质充电电池的研发和生产以满足全球迅速发展的市场需求。我们不仅拥有丰富的经验与专业的生产设备、测试设备，而且我们的技术团队同样具有专业的产品设计开发以及PCM/BMS的设计能力。我司的电池产品广泛应用于消费类电子消费、能源储存、家用及园艺工具、电动自行车、安防设备、医用器械、个人交通工具和数据储存等领域。

华文坚信质量是企业发展的根本,公司严格按照ISO9001:2015体系的要求建立和完善自己的品质保证系统,从原材料采购、原材料检验、制程控制到成品出货等都有完善、系统、科学的操作规范,确保产品的质量稳定可靠。产品通过了UL, CB, KC, PSE, GB31241, 2013/56/EU, 2006/66/EC, UN38.3, MSDS, 空运&海运安全运输报告。

良好的品质,准时的交期,完善的服务以及有竞争力的价格,使华文新能源得到了国内外客户的一致好评,我们华文人愿以最大的热情和努力,与客户一起发展,携手共创美好未来!



Our company culture & team spirit

- We uphold the business philosophy of "people-oriented, customer-oriented, technology-oriented, and integrity-based".
- We adhere to the business philosophy of "reputation first, quality first, and service first".
- We guide our daily business activities with the concepts of honesty, integrity, and openness, respect human rights, and safeguard the legitimate rights and interests of employees, customers, and third parties.
- We are committed to creating and maintaining a safe and healthy working environment for employees, customers, and society.
- We are committed to establishing a health and safety system to ensure employee safety.
- We continuously monitor the production environment and set improvement goals.
- We are committed to preventing pollution and reducing the impact on the environment.
- We provide environmental awareness training courses for employees.

公司文化和企业社会责任

- 我们秉持“以人为本，以客为尊，科技为导，诚信为基”的经营哲学。
- 我们坚持“信誉第一、质量第一、服务至上”的经营理念。
- 我们以诚信、正直、开放的理念引导日常经营活动，尊重人权，维护员工、客户及第三方的合法权益。
- 我们承诺为员工、客户及社会创建并维持安全、健康的工作环境。
- 我们承诺建立健康与安全制度，确保员工安全。
- 我们持续监控生产环境并设定改进目标。
- 我们承诺防止污染，减少对环境的影响。
- 我们为员工提供环保意识培训课程。

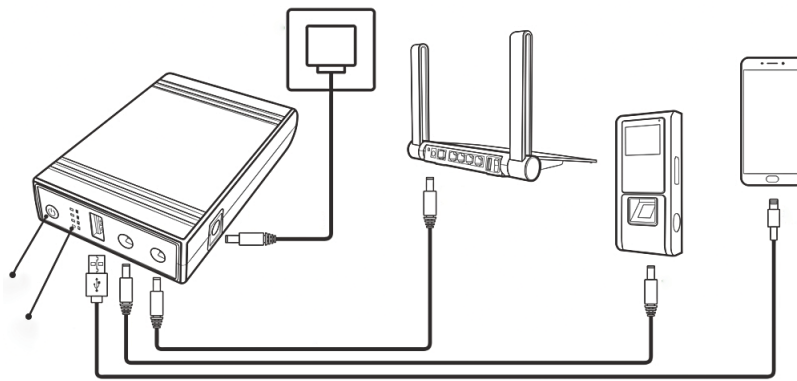
CATALOGUE

目录

WIDE COMPATIBILITY

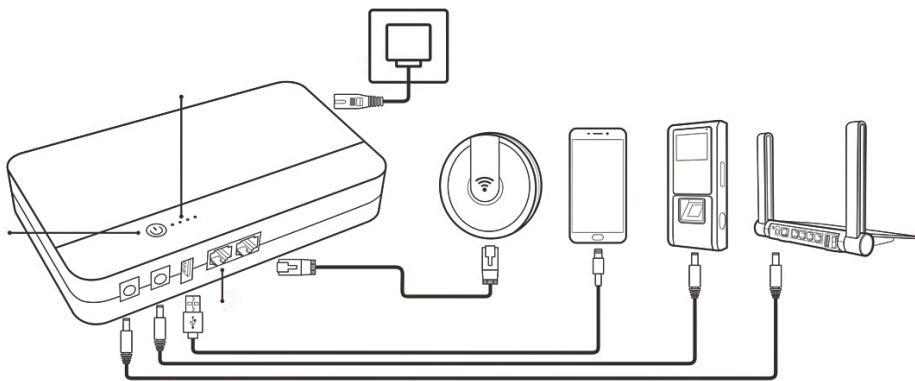
01 / Mini DC UPS

▶ 01-06



02 / POE UPS

▶ 07-16





Parameter/参数

Model/型号	UPS18-591219
Capacity/容量	3.7V/13200mAh(48.84Wh)
Input/输入	12V1A
Power/功率	18W
Output/输出	USB 5V1.5A + DC 5V1.5A/9V1A/ 12V1.5A*2/19V0.95A
Battery/电池	21700 Li-ion battery
Size/尺寸	105*105*27.5mm
N.W./净重	313g

Structure/结构



Applications/应用



Use scene/使用场景

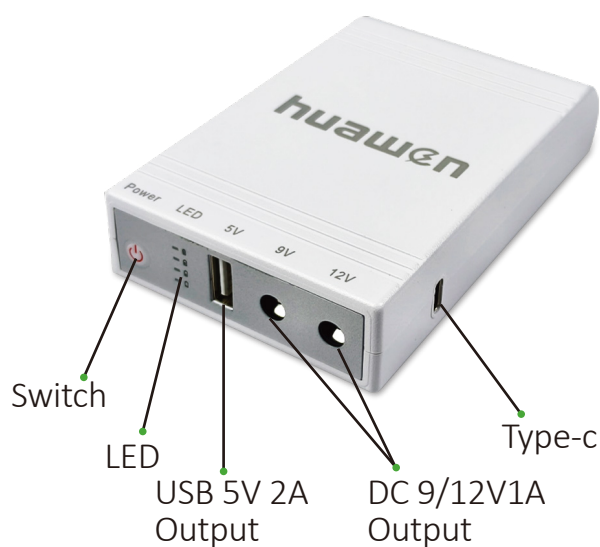




Parameter/参数

Model/型号	UPS24-5912C
Capacity/容量	3.7V/10400mAh(38.48Wh)
Input/输入	5V USB-C
Power/功率	24W
Output/输出	USB 5V2A + DC 9V/12V1A
Battery/电池	18650 Li-ion battery
Size/尺寸	116*73*24mm
N.W./净重	252g

Structure/结构



Applications/应用



Features/特征

Compact and portable
紧凑便携

DC output
直流输出

Multiple protection functions
多功能保护

Easy installation
容易安装

LED display
LED显示

Environmentally friendly design
环保设计



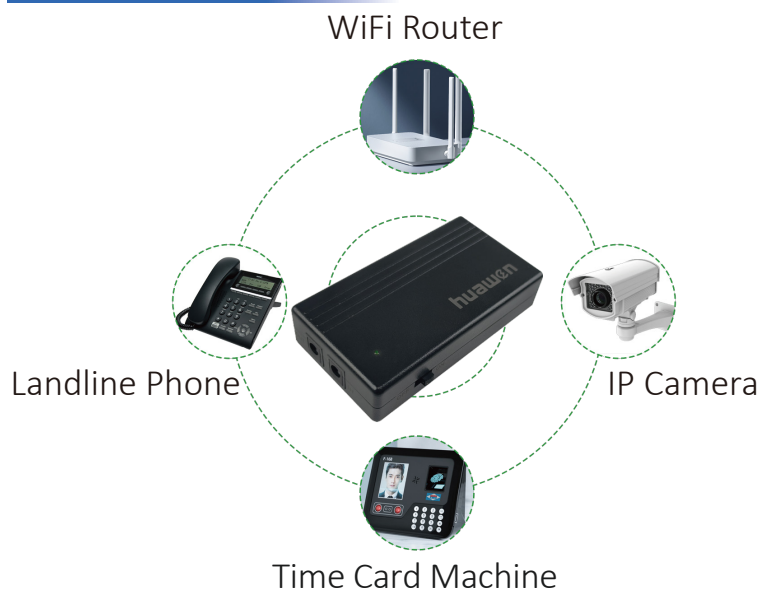
Parameter/参数

Model/型号	UPS24-12
Capacity/容量	3.7V7800mAh(28.86Wh)
Input/输入	DC 12V2A
Power/功率	24W
Output/输出	DC 12V2A
Battery/电池	18650 Li-ion battery
Size/尺寸	111*60*26mm
N.W./净重	201g

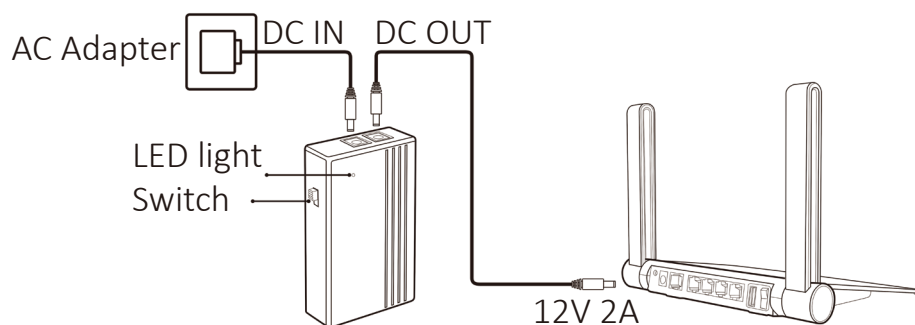
Structure/结构



Applications/应用



Use scene/使用场景





Parameter/参数

Model/型号	UPS36-12W
Capacity/容量	3.7V10400mAh(38.48Wh)
Input/输入	DC 12V3A
Power/功率	36W
Output/输出	DC 12V3A
Battery/电池	18650 Li-ion battery
Size/尺寸	138*60*24mm
N.W./净重	257g

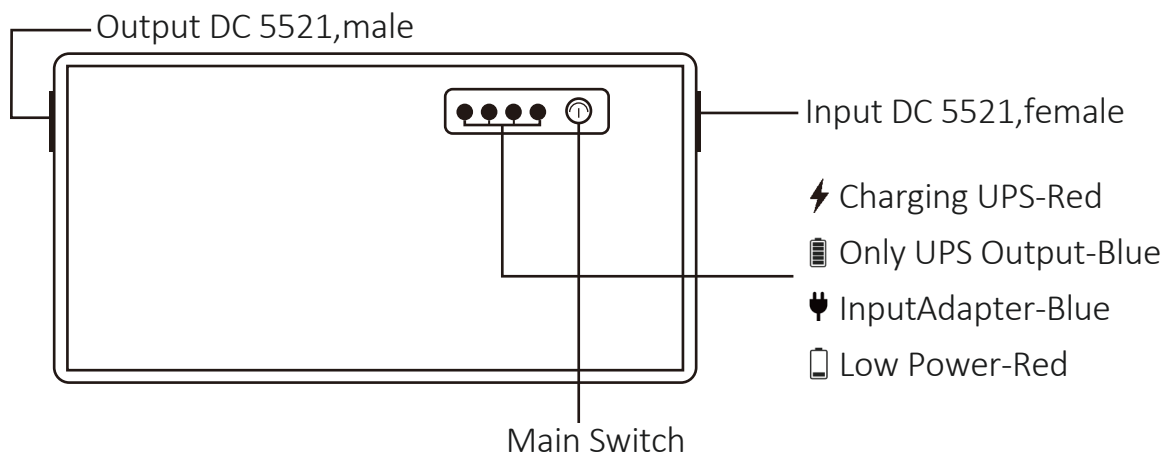
Structure/结构



Applications/应用

WiFi Router

Mains Electricity

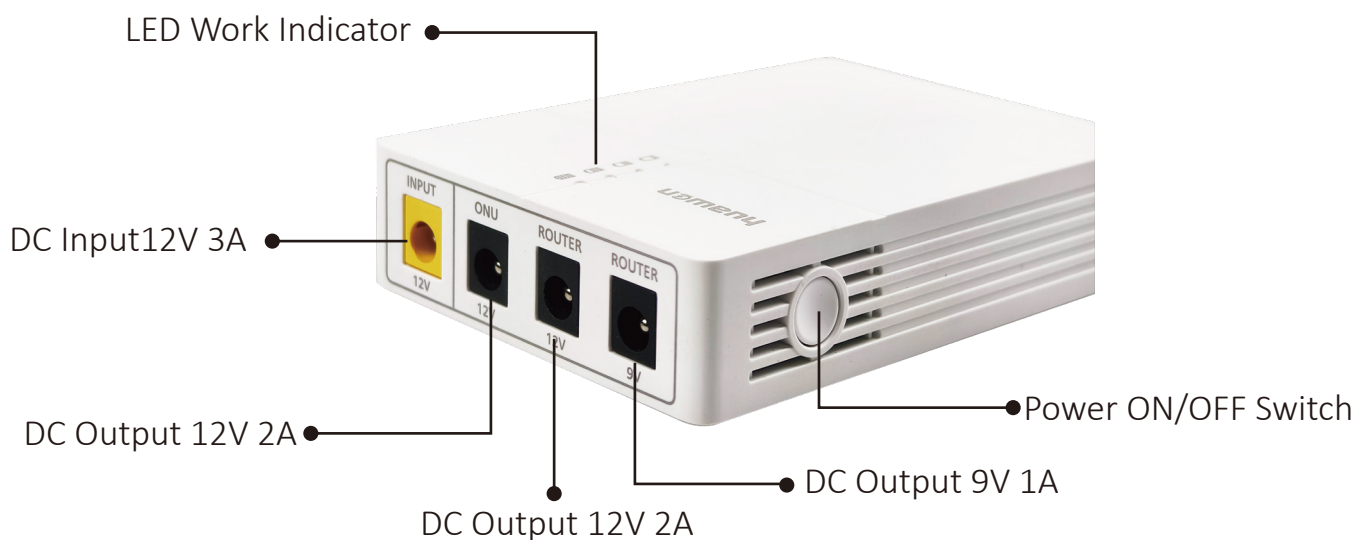




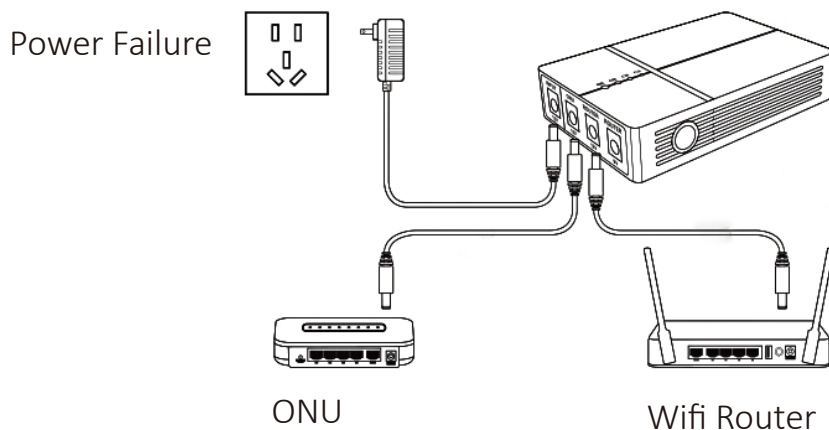
Parameter/参数

Model/型号	UPS27-912
Capacity/容量	3.7V7800mAh(28.86Wh)
Input/输入	DC 12V3A
Power/功率	27W
Output/输出	DC 12V2A*2/9V1A
Battery/电池	18650 Li-ion battery
Size/尺寸	110*73*25mm
N.W./净重	210g

Structure/结构



Applications/应用

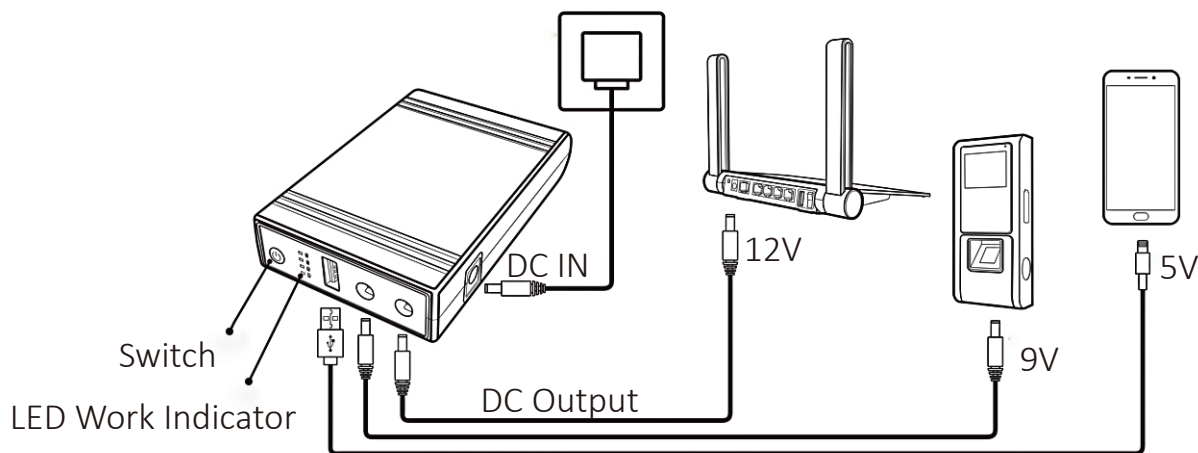




Parameter/参数

Model/型号	UPS24-5912
Capacity/容量	7.4V/5200mAh(38.48Wh)
Input/输入	DC 12V2A
Power/功率	24W
Output/输出	USB 5V2A + DC 9V1A/12V1A
Battery/电池	18650 Li-ion battery
Size/尺寸	116*73*23.5mm
N.W./净重	360g

Structure/结构



Applications/应用





Parameter/参数

Model/型号	HPOE30-5912AC
Capacity/容量	3.7V/10400mAh(38.48Wh)
Input/输入	AC 100-240V
Power/功率	27W(max)
Output/输出	USB 5V2.5A + DC 12V12A/9V2A POE 24V/48V(Toggle Switch)
Battery/电池	18650 Li-ion battery
Size/尺寸	195*115*26mm
N.W. /净重	453g

Structure/结构

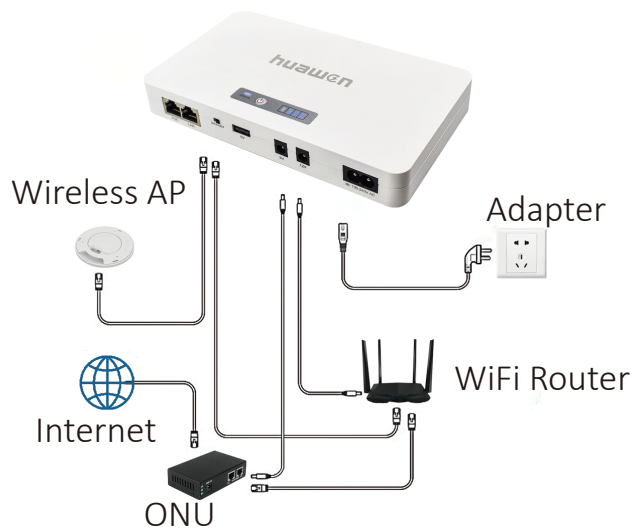


1. Working status indicator
2. ON/OFF switch
3. 100% battery capacity indicator
4. 75% battery capacity indicator
5. 50% battery capacity indicator
6. 25% battery capacity indicator



7. POE output port
8. Ethernet LAN in port
9. POE port output volt selector
10. USB 5V output port
11. DC 9V output port
12. DC 12V output port
13. AC power input socket

Applications/应用

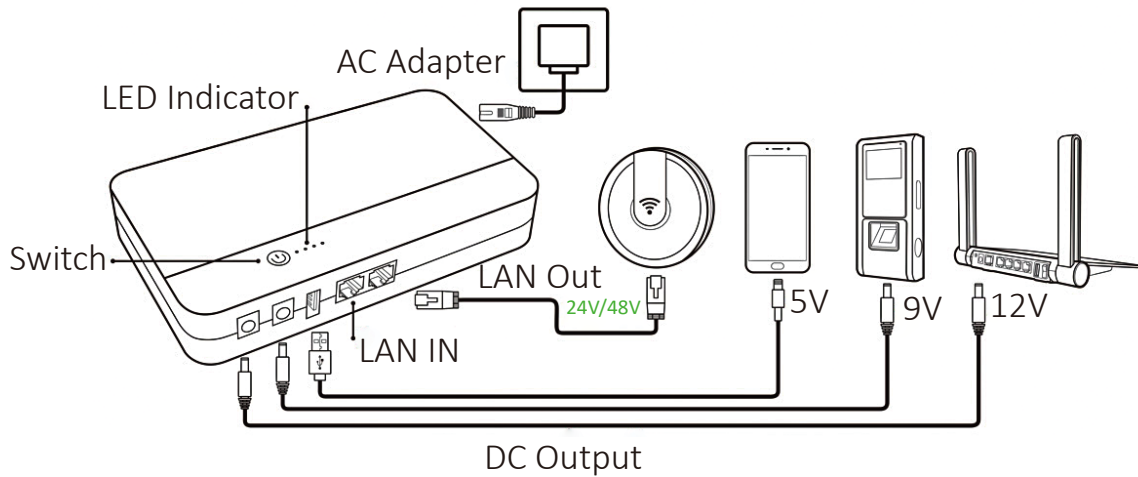




Parameter/参数

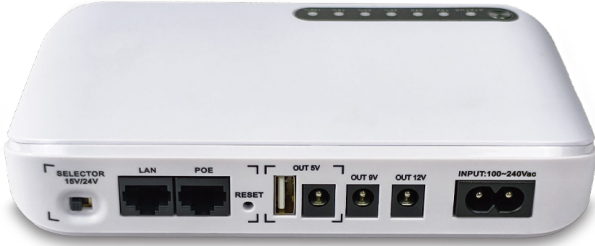
Model/型号	HPOE14-912AC
Capacity/容量	3.7V/8000mAh(29.6Wh)
Input/输入	100V~250VAC
Power/功率	14W(max)
Output/输出	USB 5V1.5A + DC 9V1A/12V1A POE 24V0.45A or 48V0.16A
Battery/电池	21700 Li-ion battery
Size/尺寸	160*77*27.5mm
N.W./净重	277g

Structure/结构



Applications/应用

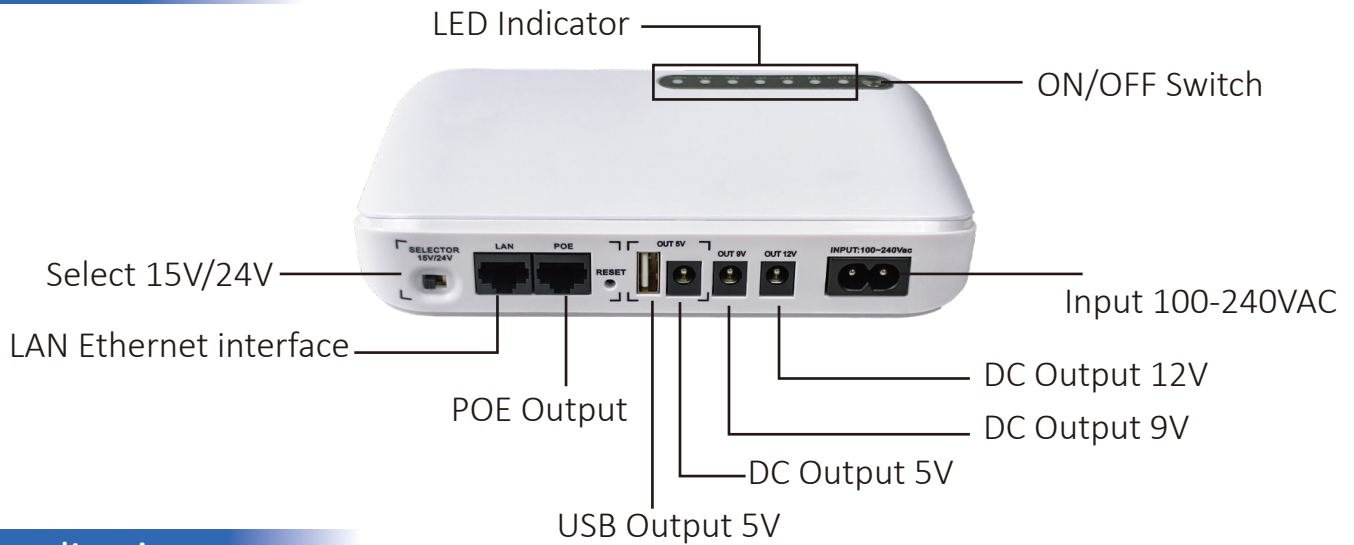




Parameter/参数

Model/型号	POE17-5912
Capacity/容量	3.7V/10000mAh(37Wh)
Input/输入	100-240VAC 50/60Hz
Power/功率	17W(max)
Output/输出	USB 5V2A DC 5V2A/9V1.8A/12V1.35A POE 15V1A or 24V0.6A
Battery/电池	21700 Li-ion battery
Size/尺寸	160*77*27.5mm
N.W./净重	277g

Structure/结构



Applications/应用

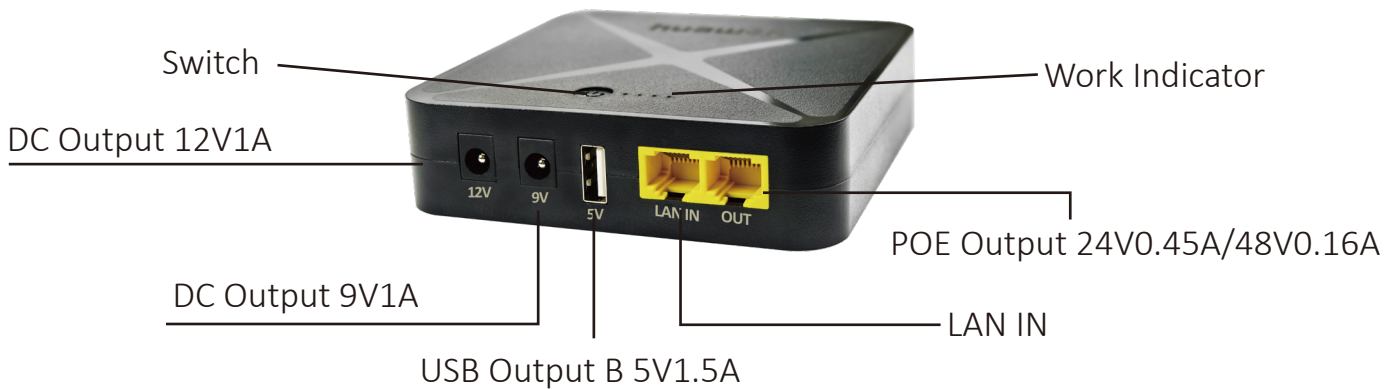


Parameter/参数



Model/型号	HPOE14-5912AC
Capacity/容量	3.7V/8000mAh(29.6Wh)
Input/输入	AC 220V/50-60Hz
Power/功率	14W(max)
Output/输出	USB 5V1.5A + DC 12V1A/9V1A POE 24V0.45A/48V0.16A
Battery/电池	18650 Li-ion battery
Size/尺寸	105*105*27.5mm
N.W./净重	266g

Structure/结构



Applications/应用

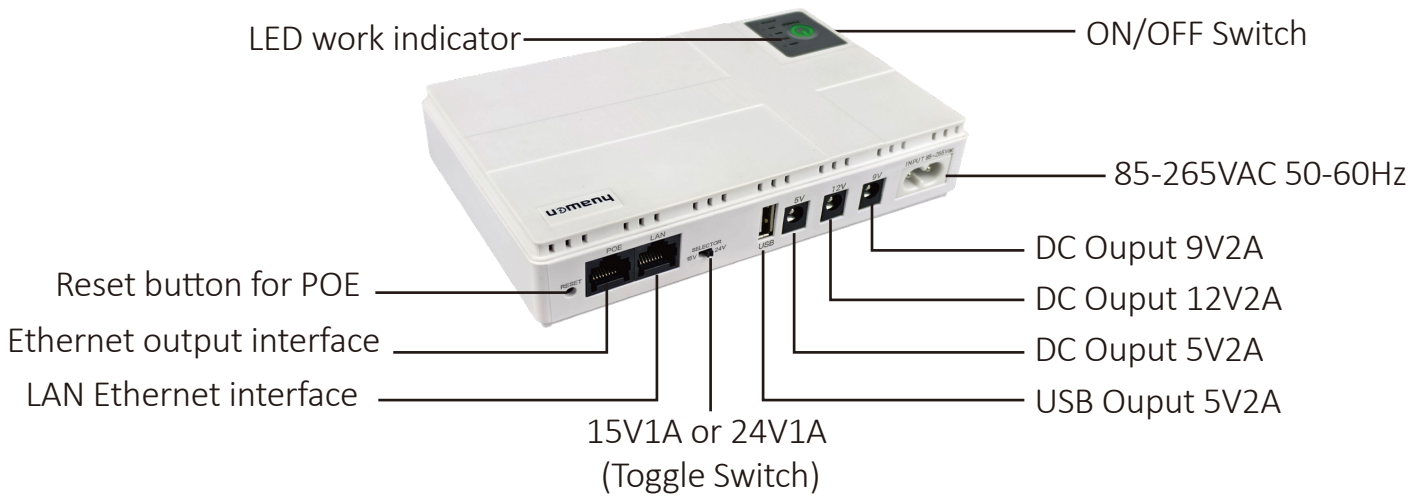


Parameter/参数



Model/型号	POE36-5912
Capacity/容量	3.7V/10400mAh(38.48Wh)
Input/输入	86-265AC/50-60Hz
Power/功率	36W(max)
Output/输出	USB 5V2A + DC 5V2A/9V2A/12V2A POE 15V1A or 24V1A
Battery/电池	18650 Li-ion battery
Size/尺寸	160*105*33mm
N.W./净重	420g

Structure/结构



Applications/应用

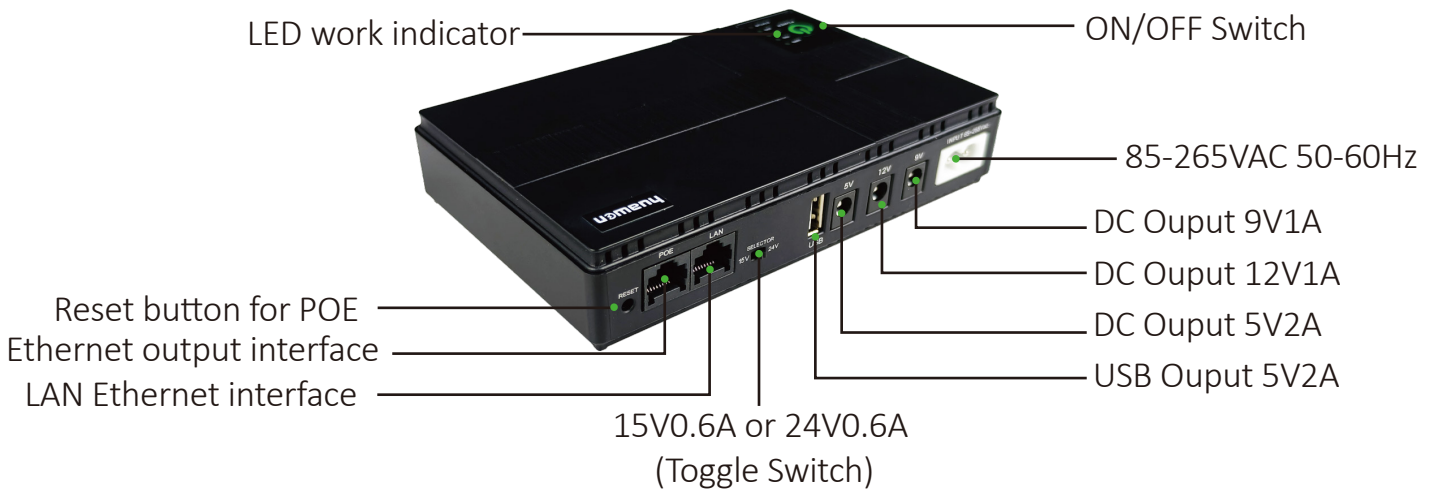


Parameter/参数

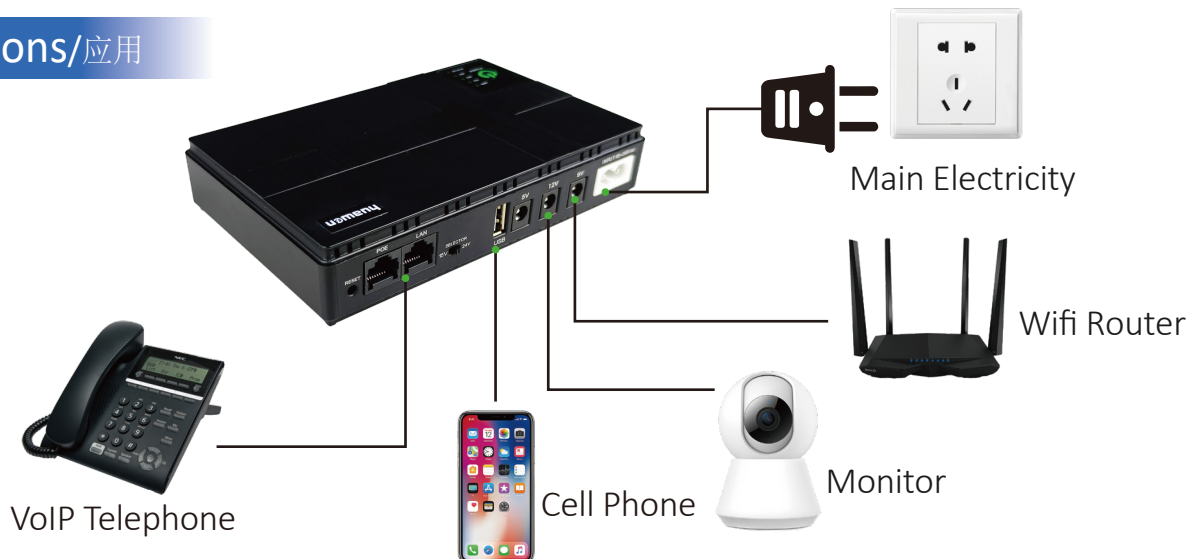


Model/型号	POE18-5912
Capacity/容量	3.7V/8800mAh(32.56Wh)
Input/输入	86-265AC/50-60Hz
Power/功率	18W(max)
Output/输出	USB 5V2A + DC 5V2A/9V1A/12V1A POE 15V0.6A or 24V0.6A
Battery/电池	18650 Li-ion battery
Size/尺寸	160*105*33mm
N.W./净重	400g

Structure/结构



Applications/应用





Structure/结构

Output voltage selector (9V/12V)

Output voltage selector(POE)

DC Output 5V

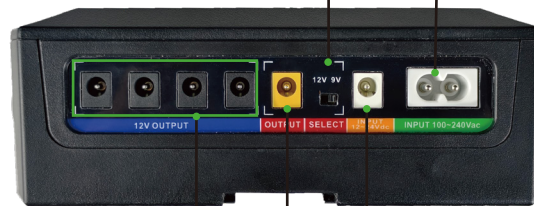
AC Input socket



POE Output

USB (5VDC) Output

LAN Ethernet interface (Optional)



DC Output 12V

DC Output 9V/12V

DC Input socket

Features/特征

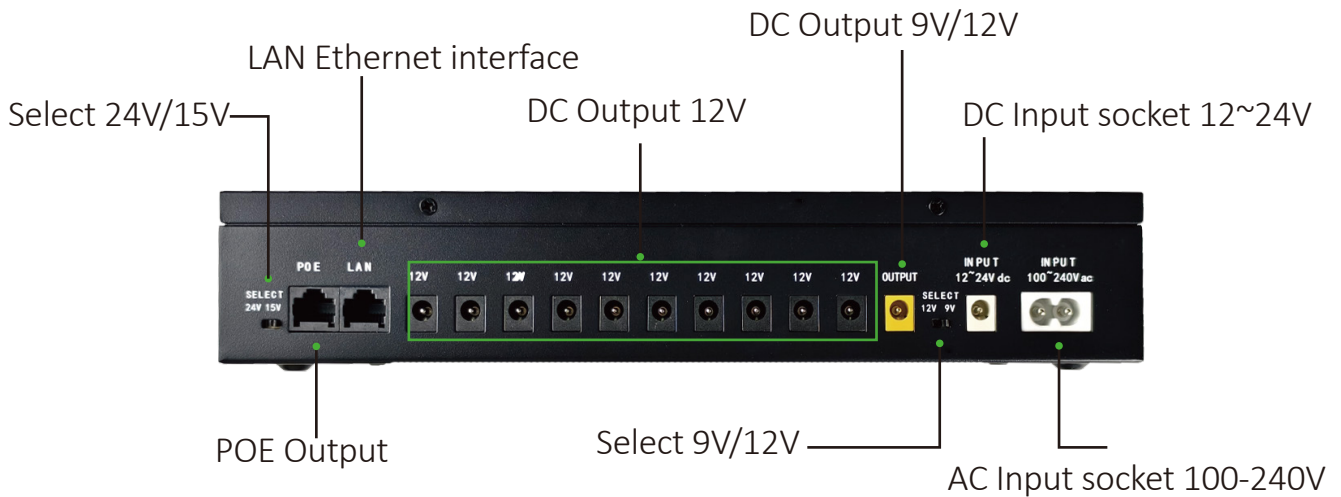
- Power your Router and ONU (Optical Network Unit) during power outages.
在停电期间为您的路由器和 ONU（光网络单元）供电。
- Keep your mobile devices charged with dual USB ports. 使用双 USB 端口为您的移动设备充电。
- Power your CCTV cameras and VoIP phones with Gigabit POE.
使用千兆 POE 为您的 CCTV 摄像机和 VoIP 电话供电。
- Compatible with a wide range of routers. 兼容多种路由器。
- Support for cloud-based monitoring by WIFI.(customized). 支持基于 WIFI 的云监控（定制）。
- 77Wh max High-capacity Li-ion or LiFePo4 batteries. 最大 77Wh 高容量锂离子或 LiFePo4 电池。
- Intelligent protective design with over-charge over-discharge and short circuit protection.
具有过充、过放和短路保护的智能保护设计。

Parameter/参数

Model/型号	HPOE45-5912	HPOE60-5912
Input/输入	100~240VAC 60/60Hz	
	12~24VDC(2.5A)	
Output/输出	1 x 9V/12V(2A)(selectable)	
	4 x 12V(3.5A)	4 x 12V(5A)
	5VDC + USB x 2 (2.4A)	
	Standard: 1 x 24V(1.2A)/48V(0.6A)(POE 1 Gbps)(selectable) Customized 1: 2 x 24V(1.2A)/48V(0.6A) (POE 1 Gbps) (selectable)	
	Customized 2: 1 x 24V(1.2A)/48V(0.6A)(POE1Gbps) (selectable)+1 x 15V(1.5A)/24V(1A)(POE)(selectable) Customized 3: 2 x 15V(1.5A)/24V(1A)(POE) (selectable)	
Power output/输出功率	45W	60W
Battery type/电池类型	Lithium-Ion or LiFePO4	
Battery specification/电池规格	18650	
Battery number/电池数量	4 or 8	
Battery capacity/电池容量	8000mAh~20800 mAh	
Ambient temperature in working mode/工作环境温度	0-40 °C	
Storage temperature/存储温度	-10 °C -70 °C	
Working humidity工作湿度	40-85%RH	
Unit dimension/机组尺寸	4180mm*130mm*64mm	
N.W./净重	0.83kg	0.84kg
Protection class/防护等级	IP20	



Structure/结构



Features/特征

- Power your Router and ONU (Optical Network Unit) during power outages.
在停电期间为您的路由器和 ONU（光网络单元）供电。
- Keep your mobile devices charged with dual USB ports. 使用双 USB 端口为您的移动设备充电。
- Power your CCTV cameras and Voip phones with Gigabit POE(24V/48V).
使用千兆 POE（24V/48V）为您的 CCTV 摄像机和 Voip 电话供电。
- Compatible with a wide range of routers. 兼容多种路由器。
- Supports powering NVR with 52V. 支持使用 52V 为 NVR 供电。
- 150Wh max High-capacity Li-ion or LiFePo4 batteries. 最大 150Wh 高容量锂离子或 LiFePo4 电池。
- Intelligent protective design with over-charge over-discharge and short circuit protection.
具有过充、过放和短路保护的智能保护设计。

Parameter/参数

Model/型号	HPOE60-912	HPOE100-912	HPOE120-912
Input/输入	100~240VAC 50/60Hz		
	12~24VDC(2.5A max)		
Output/输出	1 x 9V/12V (2A)(selectable)		
	10 x 12V(5A)	10 x 12V(8A)	10 x 12V(10A)
	1 x 15V(1.5A)24V(1A) OR 24V(1A)48V(0.6A) (POE 1Gbps)		
Power output/输出功率	60W	100W	120W
Battery capacity/电池容量	16000~41600mAh max		
Battery number/电池数量	8 or 16		
Battery specification/电池规格	18650		
Ambient temperature in working mode/工作环境温度	0-40°C		
Ambient temperature in discharge mode/放电环境温度	0-50°C		
Unit dimension/机组尺寸	290mm x 148mm x 51mm		
N.W./净重	1500g		



huawen[©]

东莞市华文新能源有限公司

Dongguan Huawen New Power Co.,Ltd.

Add: No.388 Yangxin Road, Dalang Town, Dongguan City, Guangdong Province

TEL: 0086-15992786791

E-mail: info@huawennewpower.com

Web: <https://www.huawennewpower.com>