

Wenzhou Huiyi Valve Technology Co.,Ltd

Add:No.2158,Binhai 1st Road,Economic and Technical Development Zone,Longwan Distric,Wenzhou City,Zhejiang Province,China
Tel:0086-577-86998027 Fax:0086-577-86998037 Mobile:0086-18057736259

Wenzhou Huiyi Valve Technology Co.,Ltd is an exporter and manufacturer in Wenzhou City,Zhejiang Province,China.We mainly specialize in tube fittings and valves,and we have been in this field for many years,now there are 80 workers in our company, 4 advanced engineers,10 technicians, we have our own development team and research team, most of our products are designed by ourselves,and some of them are designed as per customers' requirements.Our products have been exported to many countries.

Main products:

Tube fittings:compression tube fittings,double ferrules tube fittings,hydraulic connector,pneumatic connector,forging steel tube fittings,casting steel tube fittings.The tube fittings can be made of different materials.

Valves:needle valve,ball valve,gate valve,check valve,globe valve,gauge valve,instrumentation valve,hydraulic valve, valve manifold. The size is from DN3 to DN300,the working pressure is 0-10000PSI,the working temperature is -180 degree to 580 degree,our valves could be made of stainless steel,carbon steel,brass,cast iron,alloy,duplex stainless steel,monel.The packing material are PTFE,graphite,NBR,EPDM,Viton,which can meet different customers' requirements.

If you are interested in our products, please feel free to contact us, we are looking forward to establish a long term business with you for our mutual benefits



Wenzhou Huiyi Valve Technology Co.,Ltd

Add:No.2158,Binhai 1st Road,Economic and Technical Development Zone,Longwan Distric,Wenzhou City,Zhejiang Province,China
Tel:0086-577-86998027 Fax:0086-577-86998037 Mobile:0086-18057736259

Email: sales@huiyivalve.com info@huiyivalve.com

Skype: angelzhang880108 , huiyivalve Wechat: huiyivalve Websit: <http://www.huiyivalve.com>

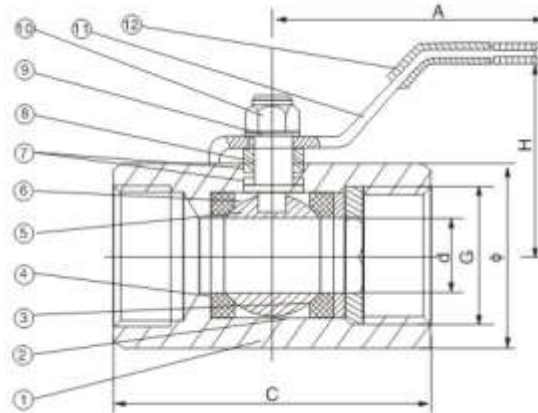
Website in Alibaba: www.huiyivalve.en.alibaba.com Website in Made in China: <https://huiyivalve.en.made-in-china.com/>



Wenzhou Huiyi Valve Technology Co.,Ltd

Add:No.2158,Binhai 1st Road,Economic and Technical Development Zone,Longwan Distric,Wenzhou City,Zhejiang Province,China
Tel:0086-577-86998027 Fax:0086-577-86998037 Mobile:0086-18057736259

1pc Ball Valve, Thread End, Reduce Bore



- Model: Q11FR-1pc
- Specification: 1/4"-4"
- Design : According to ANSI B16.34
- Inspection and Test : API 598
- Manufacture Type : Casting
- Structure Length: According to GB/T 15188.3-94
- Structure Type: Reduce Bore
- Working Pressure: 1000PSI (68.9 bar)
- Temperature Range: -20 degree C to 232 degree C (-80 degree F to 450 degree F)
- Applicable Medium : WOG, nitric acid , acetic acid

Wenzhou Huiyi Valve Technology Co.,Ltd

Add:No.2158,Binhai 1st Road,Economic and Technical Development Zone,Longwan Distric,Wenzhou City,Zhejiang Province,China
Tel:0086-577-86998027 Fax:0086-577-86998037 Mobile:0086-18057736259

Email: sales@huiyivalve.com info@huiyivalve.com

Skype: angelzhang880108 , huiyivalve Wechat: huiyivalve Websit: <http://www.huiyivalve.com>

Website in Alibaba: www.huiyivalve.en.alibaba.com Website in Made in China: <https://huiyivalve.en.made-in-china.com/>



Wenzhou Huiyi Valve Technology Co.,Ltd

Add:No.2158,Binhai 1st Road,Economic and Technical Development Zone,Longwan Distric,Wenzhou City,Zhejiang Province,China
Tel:0086-577-86998027 Fax:0086-577-86998037 Mobile:0086-18057736259

1pc Ball Valve, Thread End, Reduce Bore

- Connection Type: female thread (BSPT, BSPP, NPT, DIN2999, ISO7/1-1982)
- Material: ASTM A351 CF8M(316),ASTM A351 CF8(304), ASTM A216 WCB, DIN0.4308, DIN1.4408

DIMENSIONS

Size	D(mm)	L(mm)	H(mm)	A(mm)
1/4"	5	48	32	72
3/8"	7	56	42	90
1/2"	10	60	45	100
3/4"	12.7	65	48	105
1"	17	75	53	112
1-1/4"	22	85	64	135
1-1/2"	25	95	75	140
2"	32	110	79	160
2-1/2"	38	130	90	180
3"	48	150	100	220
4"	64	190	115	220

Wenzhou Huiyi Valve Technology Co.,Ltd

Add:No.2158,Binhai 1st Road,Economic and Technical Development Zone,Longwan Distric,Wenzhou City,Zhejiang Province,China
Tel:0086-577-86998027 Fax:0086-577-86998037 Mobile:0086-18057736259

Email: sales@huiyivalve.com info@huiyivalve.com

Skype: angelzhang880108 , huiyivalve Wechat: huiyivalve Websit: <http://www.huiyivalve.com>

Website in Alibaba: www.huiyivalve.en.alibaba.com Website in Made in China: <https://huiyivalve.en.made-in-china.com/>



Wenzhou Huiyi Valve Technology Co.,Ltd

Add:No.2158,Binhai 1st Road,Economic and Technical Development Zone,Longwan Distric,Wenzhou City,Zhejiang Province,China
Tel:0086-577-86998027 Fax:0086-577-86998037 Mobile:0086-18057736259

1pc Ball Valve, Thread End, Reduce Bore

MAIN PARTS

No.	Part Name	Material
1	Body	SS316/SS304
2	Locking nut	SS316/SS304
3	Washer	SS316/SS304
4	Seat	PTFE
5	Ball	CF8/CF8M
6	Stem	316/304
7	Thrust Washer	PTFE
8	Compression Cover	316/304
9	Washer	304
10	Nut	304
11	Handle	304
12	Handle Cover	Plastic

Wenzhou Huiyi Valve Technology Co.,Ltd

Add:No.2158,Binhai 1st Road,Economic and Technical Development Zone,Longwan Distric,Wenzhou City,Zhejiang Province,China

Tel:0086-577-86998027

Fax:0086-577-86998037

Mobile:0086-18057736259

Email: sales@huiyivalve.com

info@huiyivalve.com

Skype: angelzhang880108 , huiyivalve

Wechat: huiyivalve

Websit: <http://www.huiyivalve.com>

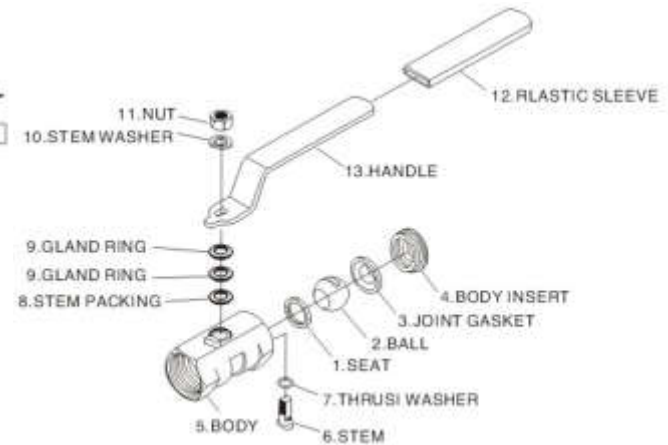
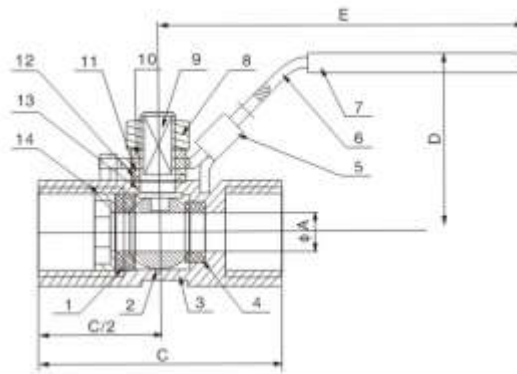
Website in Alibaba: www.huiyivalve.en.alibaba.com Website in Made in China: <https://huiyivalve.en.made-in-china.com/>



Wenzhou Huiyi Valve Technology Co.,Ltd

Add:No.2158,Binhai 1st Road,Economic and Technical Development Zone,Longwan Distric,Wenzhou City,Zhejiang Province,China
Tel:0086-577-86998027 Fax:0086-577-86998037 Mobile:0086-18057736259

1pc Ball Valve, Thread End, Reduce Bore, With Locking Device



- Model: Q11F-1pc
- Specification: 1/4"-2"
- Design : According to ANSI B16.34
- Inspection and Test : API 598
- Manufacture Type : Casting
- Structure Length: According to GB/T 15188.3-94
- Structure Type: Reduce Bore
- Working Pressure: 1000PSI (68.9 bar)
- Temperature Range: -20 degree C to 232 degree C (-80 degree F to 450 degree F)

Wenzhou Huiyi Valve Technology Co.,Ltd

Add:No.2158,Binhai 1st Road,Economic and Technical Development Zone,Longwan Distric,Wenzhou City,Zhejiang Province,China

Tel:0086-577-86998027

Fax:0086-577-86998037

Mobile:0086-18057736259

Email: sales@huiyivalve.com

info@huiyivalve.com

Skype: angelzhang880108 , huiyivalve

Wechat: huiyivalve

Webisit: <http://www.huiyivalve.com>

Website in Alibaba: www.huiyivalve.en.alibaba.com Website in Made in China: <https://huiyivalve.en.made-in-china.com/>



Wenzhou Huiyi Valve Technology Co.,Ltd

Add:No.2158,Binhai 1st Road,Economic and Technical Development Zone,Longwan Distric,Wenzhou City,Zhejiang Province,China
Tel:0086-577-86998027 Fax:0086-577-86998037 Mobile:0086-18057736259

1pc Ball Valve, Thread End, Reduce Bore, With Locking Device

- Applicable Medium : WOG, nitric acid , acetic acid
- Connection Type: female thread (BSPT, BSPP, NPT, DIN2999, ISO7/1-1982)
- Material: ASTM A351 CF8M(316),ASTM A351 CF8(304), ASTM A216 WCB, DIN0.4308, DIN1.4408

DIMENSION

Size	∅ A(mm)	C(mm)	E(mm)	D(mm)
1/4"	5	39	77	39
3/8"	7	44	77	39
1/2"	9.2	58.5	88	44
3/4"	12.8	59	88	48
1"	15	71	109	57
1-1/4"	20	78	109	59
1-1/2"	25	83	135	70
2"	32	100	135	74

Wenzhou Huiyi Valve Technology Co.,Ltd

Add:No.2158,Binhai 1st Road,Economic and Technical Development Zone,Longwan Distric,Wenzhou City,Zhejiang Province,China
Tel:0086-577-86998027 Fax:0086-577-86998037 Mobile:0086-18057736259

Email: sales@huiyivalve.com info@huiyivalve.com

Skype: angelzhang880108 , huiyivalve Wechat: huiyivalve Websit: <http://www.huiyivalve.com>

Website in Alibaba: www.huiyivalve.en.alibaba.com Website in Made in China: <https://huiyivalve.en.made-in-china.com/>



Wenzhou Huiyi Valve Technology Co.,Ltd

Add:No.2158,Binhai 1st Road,Economic and Technical Development Zone,Longwan Distric,Wenzhou City,Zhejiang Province,China
Tel:0086-577-86998027 Fax:0086-577-86998037 Mobile:0086-18057736259

1pc Ball Valve, Thread End, Reduce Bore, With Locking Device

MAIN PARTS

NO.	PART NAME	MATERIAL
1	Seat	PTFE
2	Ball	CF8/CF8M
3	Body	CF8/CF8M
4	Ball seat	PTFE
5	Locking Device	304
6	Handle	304
7	Handle Cover	Plastic
8	Stem Nut	316/304
9	Stem	316/304
10	Stem Washer	304
11	Washer	304
12	Stem Packing	PTFE
13	Thrust Washer	PTFE
14	Plug	CF8/CF8M

Wenzhou Huiyi Valve Technology Co.,Ltd

Add:No.2158,Binhai 1st Road,Economic and Technical Development Zone,Longwan Distric,Wenzhou City,Zhejiang Province,China

Tel:0086-577-86998027

Fax:0086-577-86998037

Mobile:0086-18057736259

Email: sales@huiyivalve.com

info@huiyivalve.com

Skype: angelzhang880108 , huiyivalve

Wechat: huiyivalve

Website: <http://www.huiyivalve.com>

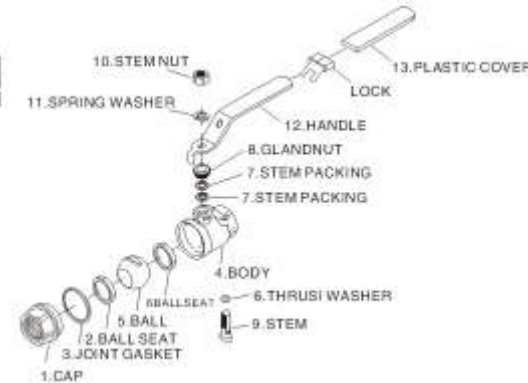
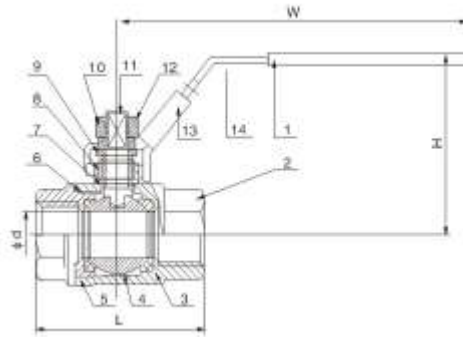
Website in Alibaba: www.huiyivalve.en.alibaba.com Website in Made in China: <https://huiyivalve.en.made-in-china.com/>



Wenzhou Huiyi Valve Technology Co.,Ltd

Add:No.2158,Binhai 1st Road,Economic and Technical Development Zone,Longwan Distric,Wenzhou City,Zhejiang Province,China
Tel:0086-577-86998027 Fax:0086-577-86998037 Mobile:0086-18057736259

2pc Ball Valve, thread End, Full Bore



- Model: Q11F-2pc
- Specification: 1/4"-4"
- Design : According to ANSI B16.34
- Inspection and Test : API 598
- Manufacture Type : Casting
- Structure Length: According to GB/T 15188.3-94
- Structure Type: Full Bore
- Working Pressure: 1000PSI (68.9 bar)
- Temperature Range: -20 degree C to 232 degree C (-80 degree F to 450 degree F)
- Applicable Medium : WOG, nitric acid , acetic acid
- Connection Type: female thread (BSPT, BSPP, NPT, DIN2999, ISO7/1-1982)

Wenzhou Huiyi Valve Technology Co.,Ltd

Add:No.2158,Binhai 1st Road,Economic and Technical Development Zone,Longwan Distric,Wenzhou City,Zhejiang Province,China
Tel:0086-577-86998027 Fax:0086-577-86998037 Mobile:0086-18057736259

Email: sales@huiyivalve.com info@huiyivalve.com

Skype: angelzhang880108 , huiyivalve Wechat: huiyivalve Websit: <http://www.huiyivalve.com>

Website in Alibaba: www.huiyivalve.en.alibaba.com Website in Made in China: <https://huiyivalve.en.made-in-china.com/>



Wenzhou Huiyi Valve Technology Co.,Ltd

Add:No.2158,Binhai 1st Road,Economic and Technical Development Zone,Longwan Distric,Wenzhou City,Zhejiang Province,China
Tel:0086-577-86998027 Fax:0086-577-86998037 Mobile:0086-18057736259

2pc Ball Valve, thread End, Full Bore

- Material: ASTM A351 CF8M(316),ASTM A351 CF8(304), ASTM A216 WCB, DIN0.4308, DIN1.4408

DIMENSIONS

Size	∅ d(mm)	L(mm)	H(mm)	W(mm)
1/4"	9.2	54	54	110
3/8"	12.8	54	55	110
1/2"	15	57	58	115
3/4"	20	68	61	115
1"	25	80	77	128
1-1/4"	32	91	81	128
1-1/2"	38	103	90	155
2"	50	124	108	155
2-1/2"	65	160	132	230
3"	80	185	145	230
4"	100	224.5	185	335

Wenzhou Huiyi Valve Technology Co.,Ltd

Add:No.2158,Binhai 1st Road,Economic and Technical Development Zone,Longwan Distric,Wenzhou City,Zhejiang Province,China
Tel:0086-577-86998027 Fax:0086-577-86998037 Mobile:0086-18057736259

Email: sales@huiyivalve.com info@huiyivalve.com

Skype: angelzhang880108 , huiyivalve Wechat: huiyivalve Websit: <http://www.huiyivalve.com>

Website in Alibaba: www.huiyivalve.en.alibaba.com Website in Made in China: <https://huiyivalve.en.made-in-china.com/>



Wenzhou Huiyi Valve Technology Co.,Ltd

Add:No.2158,Binhai 1st Road,Economic and Technical Development Zone,Longwan Distric,Wenzhou City,Zhejiang Province,China
Tel:0086-577-86998027 Fax:0086-577-86998037 Mobile:0086-18057736259

2pc Ball Valve, thread End, Full Bore

MAIN PARTS

NO.	Part Name	Material
1	Handle Cover	Plastic
2	Body	CF8/CF8M
3	Ball Seat	PTFE
4	Ball	CF8/CF8M
5	Cap	CF8/CF8M
6	Joint Gasket	PTFE
7	Thrust Washer	PTFE
8	Stem Packing	PTFE
9	Gland Nut	304
10	Stem Washer	304
11	Stem	316/304
12	Stem Nut	304
13	Locking Device	304
14	Handle	304

Wenzhou Huiyi Valve Technology Co.,Ltd

Add:No.2158,Binhai 1st Road,Economic and Technical Development Zone,Longwan Distric,Wenzhou City,Zhejiang Province,China
Tel:0086-577-86998027 Fax:0086-577-86998037 Mobile:0086-18057736259

Email: sales@huiyivalve.com info@huiyivalve.com

Skype: angelzhang880108 , huiyivalve Wechat: huiyivalve Websit: <http://www.huiyivalve.com>

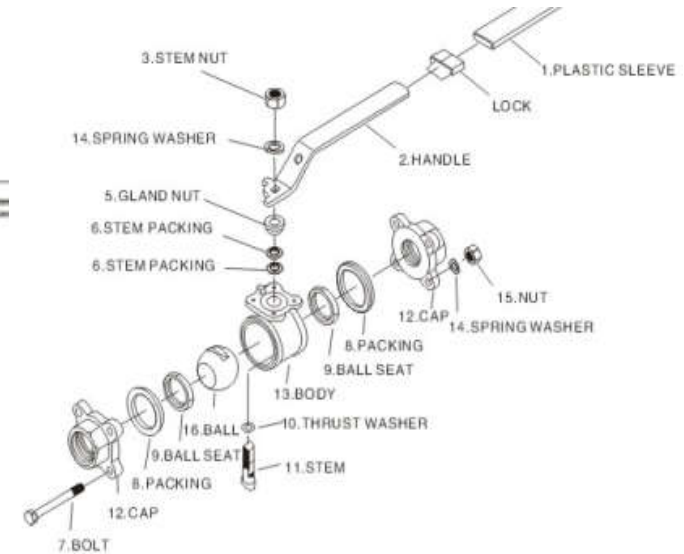
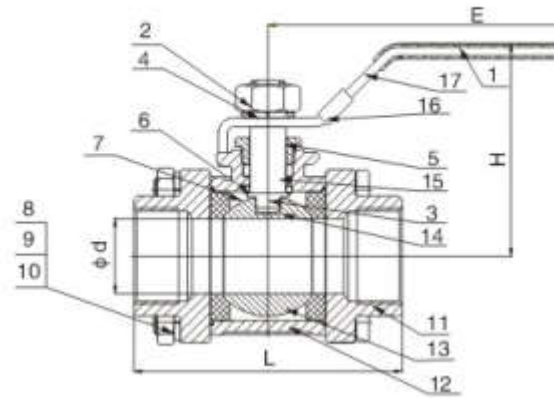
Website in Alibaba: www.huiyivalve.en.alibaba.com Website in Made in China: <https://huiyivalve.en.made-in-china.com/>



Wenzhou Huiyi Valve Technology Co.,Ltd

Add:No.2158,Binhai 1st Road,Economic and Technical Development Zone,Longwan Distric,Wenzhou City,Zhejiang Province,China
Tel:0086-577-86998027 Fax:0086-577-86998037 Mobile:0086-18057736259

3pc Ball Valve, thread End, Full Bore(socket weld)



- Model: Q11F-3pc
- Specification: 1/4"-4"
- Design : According to ANSI B16.34
- Inspection and Test : API 598
- Manufacture Type : Casting
- Structure Length: According to GB/T 15188.3-94
- Structure Type: Full Bore

Wenzhou Huiyi Valve Technology Co.,Ltd

Add:No.2158,Binhai 1st Road,Economic and Technical Development Zone,Longwan Distric,Wenzhou City,Zhejiang Province,China
Tel:0086-577-86998027 Fax:0086-577-86998037 Mobile:0086-18057736259

Email: sales@huiyivalve.com info@huiyivalve.com

Skype: angelzhang880108 , huiyivalve Wechat: huiyivalve Websit: <http://www.huiyivalve.com>

Website in Alibaba: www.huiyivalve.en.alibaba.com Website in Made in China: www.huiyivalve.en.made-in-china.com/



Wenzhou Huiyi Valve Technology Co.,Ltd

Add:No.2158,Binhai 1st Road,Economic and Technical Development Zone,Longwan Distric,Wenzhou City,Zhejiang Province,China
Tel:0086-577-86998027 Fax:0086-577-86998037 Mobile:0086-18057736259

3pc Ball Valve, thread End, Full Bore(socket weld)

- Working Pressure: 1000PSI (68.9 bar)
- Temperature Range: -20 degree C to 232 degree C (-80 degree F to 450 degree F)
- Applicable Medium : WOG, nitric acid , acetic acid
- Connection Type: female thread (BSPT, BSPP, NPT, DIN2999, ISO7/1-1982)
- Material: ASTM A351 CF8M(316),ASTM A351 CF8(304), ASTM A216 WCB, DIN0.4308, DIN1.4408

DIMENSIONS

Size	∅ D(mm)	L(mm)	H(mm)	E(mm)
1/4"	9.2	59	52	108
3/8"	12.8	60	52	108
1/2"	15	65.5	63	113
3/4"	20	76.5	68	113
1"	25	86.2	79	135
1-1/4"	32	103.1	88	135
1-1/2"	38	118	97	160
2"	50	131.5	108	160
2-1/2"	65	164.5	128	230
3"	80	182.7	140	230
4"	100	229.6	172	335

Wenzhou Huiyi Valve Technology Co.,Ltd

Add:No.2158,Binhai 1st Road,Economic and Technical Development Zone,Longwan Distric,Wenzhou City,Zhejiang Province,China
Tel:0086-577-86998027 Fax:0086-577-86998037 Mobile:0086-18057736259

Email: sales@huiyivalve.com info@huiyivalve.com

Skype: angelzhang880108 , huiyivalve Wechat: huiyivalve Websit: <http://www.huiyivalve.com>

Website in Alibaba: www.huiyivalve.en.alibaba.com Website in Made in China: <https://huiyivalve.en.made-in-china.com/>



Wenzhou Huiyi Valve Technology Co.,Ltd

Add:No.2158,Binhai 1st Road,Economic and Technical Development Zone,Longwan Distric,Wenzhou City,Zhejiang Province,China
Tel:0086-577-86998027 Fax:0086-577-86998037 Mobile:0086-18057736259

3pc Ball Valve, thread End, Full Bore(socket weld)

MAIN PARTS

No.	Part Name	Material
1	Handle Cover	Plastic
2	Stem Nut	316/304
3	Stem	304
4	Stem Washer	304
5	Gland Nut	304
6	Thrust Washer	PTFE
7	End Seal	PTFE
8	Bolt	304
9	Bolt Nut	304
10	Bolt Washer	304
11	End Cap	CF8/CF8M
12	Body	CF8/CF8M
13	Ball	CF8/CF8M
14	Ball Seat	PTFE
15	Stem Packing	PTFE
16	Locking Device	304
17	Handle	304

Wenzhou Huiyi Valve Technology Co.,Ltd

Add:No.2158,Binhai 1st Road,Economic and Technical Development Zone,Longwan Distric,Wenzhou City,Zhejiang Province,China

Tel:0086-577-86998027

Fax:0086-577-86998037

Mobile:0086-18057736259

Email: sales@huiyivalve.com

info@huiyivalve.com

Skype: angelzhang880108 , huiyivalve

Wechat: huiyivalve

Websit: <http://www.huiyivalve.com>

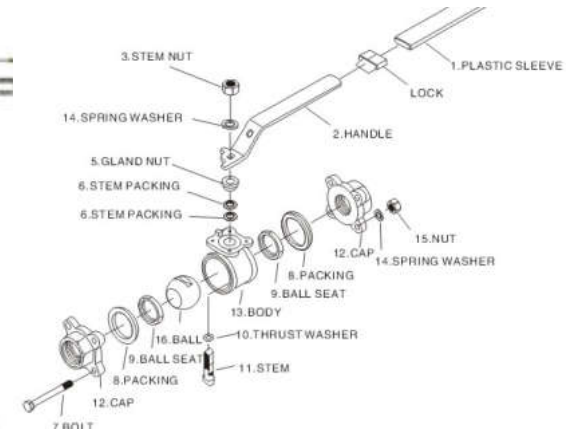
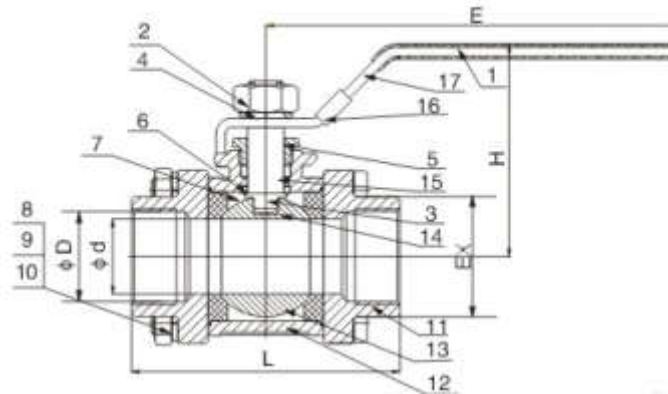
Website in Alibaba: www.huiyivalve.en.alibaba.com Website in Made in China: <https://huiyivalve.en.made-in-china.com/>



Wenzhou Huiyi Valve Technology Co.,Ltd

Add:No.2158,Binhai 1st Road,Economic and Technical Development Zone,Longwan Distric,Wenzhou City,Zhejiang Province,China
Tel:0086-577-86998027 Fax:0086-577-86998037 Mobile:0086-18057736259

3pc Ball Valve, Butt Weld, Full Bore



- Model: Q61F-3pc
- Specification: 1/4"-4"
- Design : According to ANSI B16.34
- Inspection and Test : API 598
- Manufacture Type : Casting
- Structure Length: According to GB/T 15188.3-94
- Structure Type: Full Bore
- Working Pressure: 1000PSI (68.9 bar)
- Temperature Range: -20 degree C to 232 degree C (-80 degree F to 450 degree F)
- Applicable Medium : WOG, nitric acid , acetic acid

Wenzhou Huiyi Valve Technology Co.,Ltd

Add:No.2158,Binhai 1st Road,Economic and Technical Development Zone,Longwan Distric,Wenzhou City,Zhejiang Province,China
Tel:0086-577-86998027 Fax:0086-577-86998037 Mobile:0086-18057736259

Email: sales@huiyivalve.com info@huiyivalve.com

Skype: angelzhang880108 , huiyivalve Wechat: huiyivalve Websit: <http://www.huiyivalve.com>

Website in Alibaba: www.huiyivalve.en.alibaba.com Website in Made in China: <http://www.huiyivalve.en.made-in-china.com/>



Wenzhou Huiyi Valve Technology Co.,Ltd

Add:No.2158,Binhai 1st Road,Economic and Technical Development Zone,Longwan Distric,Wenzhou City,Zhejiang Province,China
Tel:0086-577-86998027 Fax:0086-577-86998037 Mobile:0086-18057736259

3pc Ball Valve, Butt Weld, Full Bore

- Connection Type: Butt Weld
- Material: ASTM A351 CF8M(316),ASTM A351 CF8(304), ASTM A216 WCB, DIN0.4308, DIN1.4408

DIMENSIONS

Size	ø d	L	H	E
1/4"	9.2	59	52	108
3/8"	12.8	60	52	108
1/2"	15	65.5	63	113
3/4"	20	76.5	68	113
1"	25	86.2	79	135
1-1/4"	32	103.1	88	135
1-1/2"	38	118	97	160
2"	50	131.5	108	180
2-1/2"	65	164.5	128	230
3"	80	182.7	140	230
4"	100	229.6	172	335

Wenzhou Huiyi Valve Technology Co.,Ltd

Add:No.2158,Binhai 1st Road,Economic and Technical Development Zone,Longwan Distric,Wenzhou City,Zhejiang Province,China
Tel:0086-577-86998027 Fax:0086-577-86998037 Mobile:0086-18057736259

Email: sales@huiyivalve.com info@huiyivalve.com

Skype: angelzhang880108 , huiyivalve Wechat: huiyivalve Websit: <http://www.huiyivalve.com>

Website in Alibaba: www.huiyivalve.en.alibaba.com Website in Made in China: <https://huiyivalve.en.made-in-china.com/>



Wenzhou Huiyi Valve Technology Co.,Ltd

Add:No.2158,Binhai 1st Road,Economic and Technical Development Zone,Longwan Distric,Wenzhou City,Zhejiang Province,China
Tel:0086-577-86998027 Fax:0086-577-86998037 Mobile:0086-18057736259

3pc Ball Valve, Butt Weld, Full Bore

MAIN PARTS

No.	Part Name	Material
1	Handle Cover	Plastic
2	Stem Nut	SS316/SS304
3	Stem	304
4	Stem Washer	304
5	Gland Nut	304
6	Thrust Washer	PTFE
7	End Seal	PTFE
8	Bolt	304
9	Bolt Nut	304
10	Bolt Washer	304
11	End Cap	CF8/CF8M
12	Body	CF8/CF8M
13	Ball	CF8/CF8M
14	Ball Seat	PTFE
15	Stem Packing	PTFE
16	Locking Device	304
17	Handle	304

Wenzhou Huiyi Valve Technology Co.,Ltd

Add:No.2158,Binhai 1st Road,Economic and Technical Development Zone,Longwan Distric,Wenzhou City,Zhejiang Province,China
Tel:0086-577-86998027 Fax:0086-577-86998037 Mobile:0086-18057736259

Email: sales@huiyivalve.com info@huiyivalve.com

Skype: angelzhang880108 , huiyivalve Wechat: huiyivalve Websit: <http://www.huiyivalve.com>

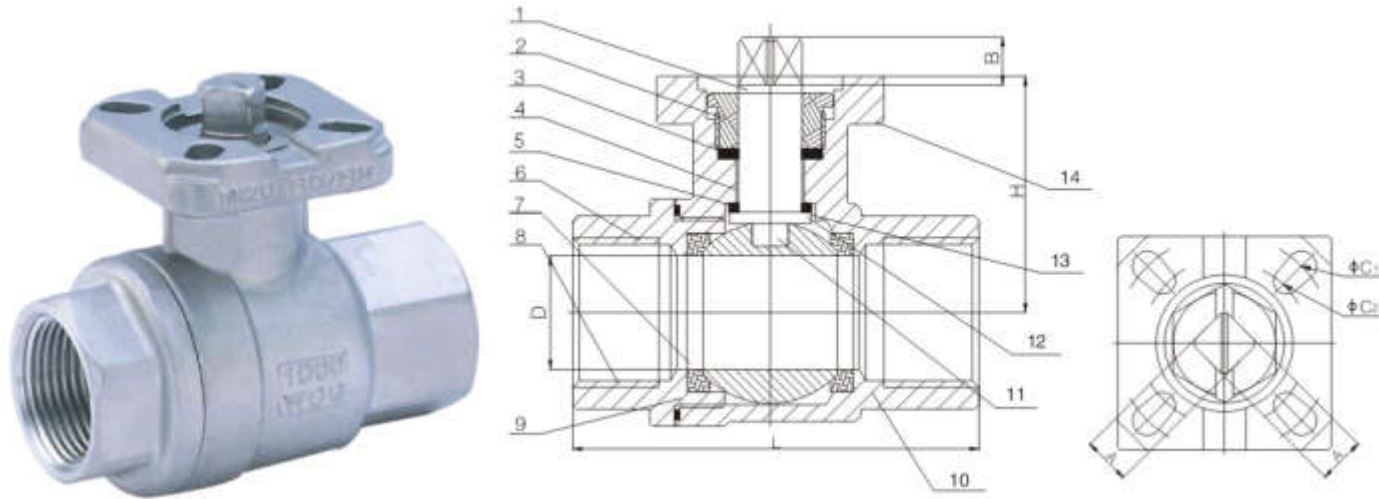
Website in Alibaba: www.huiyivalve.en.alibaba.com Website in Made in China: <https://huiyivalve.en.made-in-china.com/>



Wenzhou Huiyi Valve Technology Co.,Ltd

Add:No.2158,Binhai 1st Road,Economic and Technical Development Zone,Longwan Distric,Wenzhou City,Zhejiang Province,China
Tel:0086-577-86998027 Fax:0086-577-86998037 Mobile:0086-18057736259

2pc Ball Valve with Mounting Pad, Thread End, Full Bore



- Model: Q11FMP-2pc
- Specification: 1/4"-3"
- Design : According to ANSI B16.34
- Inspection and Test : API 598
- Manufacture Type : Casting
- Structure Length: According to GB/T 15188.3-94
- Structure Type: Full Bore

Wenzhou Huiyi Valve Technology Co.,Ltd

Add:No.2158,Binhai 1st Road,Economic and Technical Development Zone,Longwan Distric,Wenzhou City,Zhejiang Province,China
Tel:0086-577-86998027 Fax:0086-577-86998037 Mobile:0086-18057736259

Email: sales@huiyivalve.com info@huiyivalve.com

Skype: angelzhang880108 , huiyivalve Wechat: huiyivalve Websit: <http://www.huiyivalve.com>

Website in Alibaba: www.huiyivalve.en.alibaba.com Website in Made in China: www.huiyivalve.en.made-in-china.com/



Wenzhou Huiyi Valve Technology Co.,Ltd

Add:No.2158,Binhai 1st Road,Economic and Technical Development Zone,Longwan Distric,Wenzhou City,Zhejiang Province,China
Tel:0086-577-86998027 Fax:0086-577-86998037 Mobile:0086-18057736259

2pc Ball Valve with Mounting Pad, Thread End, Full Bore

- Working Pressure: 1000PSI (68.9 bar)
- Temperature Range: -20 degree C to 232 degree C (-80 degree F to 450 degree F)
- Applicable Medium : WOG, nitric acid , acetic acid
- Connection Type: female thread(BSPT,BSPP,BSPT,DIN2999,ISO7/1-1982)
- Material: ASTM A351 CF8M(316),ASTM A351 CF8(304), ASTM A216 WCB, DIN0.4308, DIN1.4408

DIMENSIONS

Size	A	D	H	L
1/4"	133	12.7	60.5	5
3/8"	133	12.7	60.5	5
1/2"	133	15	62	63
3/4"	133	20	67	76
1"	133	25	76.5	90
1-1/4"	133	32	80.5	100
1-1/2"	150	38	98	125
2"	150	50	107	136
2-1/2"	186	65	123	162
3"	186	76	133	188

Wenzhou Huiyi Valve Technology Co.,Ltd

Add:No.2158,Binhai 1st Road,Economic and Technical Development Zone,Longwan Distric,Wenzhou City,Zhejiang Province,China

Tel:0086-577-86998027

Fax:0086-577-86998037

Mobile:0086-18057736259

Email: sales@huiyivalve.com

info@huiyivalve.com

Skype: angelzhang880108 , huiyivalve

Wechat: huiyivalve

Website: <http://www.huiyivalve.com>

Website in Alibaba: www.huiyivalve.en.alibaba.com Website in Made in China: <https://huiyivalve.en.made-in-china.com/>



Wenzhou Huiyi Valve Technology Co.,Ltd

Add:No.2158,Binhai 1st Road,Economic and Technical Development Zone,Longwan Distric,Wenzhou City,Zhejiang Province,China
Tel:0086-577-86998027 Fax:0086-577-86998037 Mobile:0086-18057736259

2pc Ball Valve with Mounting Pad, Thread End, Full Bore

MAIN PARTS

No.	Part Name	Material
1	Bolt	304
2	Cover	304
3	Adjustable	304
4	Gland	304
5	Stem Packing	PTFE
6	Bonnet	CF8/CF8M
7	Ball	CF8/CF8M
8	Ball Seat	PTFE
9	Body Seal	PTFE
10	Body	CF8/CF8M
11	Stem	304
12	Thrust Washer	PTFE
13	O-ring	NBR/VITON
14	Locking Device	304
15	Handle	304

Wenzhou Huiyi Valve Technology Co.,Ltd

Add:No.2158,Binhai 1st Road,Economic and Technical Development Zone,Longwan Distric,Wenzhou City,Zhejiang Province,China

Tel:0086-577-86998027

Fax:0086-577-86998037

Mobile:0086-18057736259

Email: sales@huiyivalve.com

info@huiyivalve.com

Skype: angelzhang880108 , huiyivalve

Wechat: huiyivalve

Website: <http://www.huiyivalve.com>

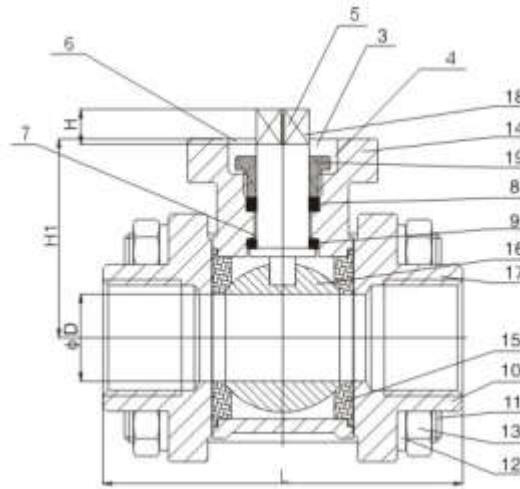
Website in Alibaba: www.huiyivalve.en.alibaba.com Website in Made in China: <https://huiyivalve.en.made-in-china.com/>



Wenzhou Huiyi Valve Technology Co.,Ltd

Add:No.2158,Binhai 1st Road,Economic and Technical Development Zone,Longwan Distric,Wenzhou City,Zhejiang Province,China
Tel:0086-577-86998027 Fax:0086-577-86998037 Mobile:0086-18057736259

3pc Ball Valve with Mounting Pad, Thread End, Full Bore



- **Model:** Q11FMP-3pc
- **Specification:** 1/4"-4"
- **Design :** According to ANSI B16.34
- **Inspection and Test :** API 598
- **Manufacture Type :** Casting
- **Structure Length:** According to GB/T 15188.3-94
- **Structure Type:** Full Bore
- **Working Pressure:** 1000PSI (68.9 bar)
- **Temperature Range:** -20 degree C to 232 degree C (-80 degree F to 450 degree F)

Wenzhou Huiyi Valve Technology Co.,Ltd

Add:No.2158,Binhai 1st Road,Economic and Technical Development Zone,Longwan Distric,Wenzhou City,Zhejiang Province,China
Tel:0086-577-86998027 Fax:0086-577-86998037 Mobile:0086-18057736259

Email: sales@huiyivalve.com info@huiyivalve.com

Skype: angelzhang880108 , huiyivalve Wechat: huiyivalve Websit: <http://www.huiyivalve.com>

Website in Alibaba: www.huiyivalve.en.alibaba.com Website in Made in China: <https://huiyivalve.en.made-in-china.com/>



Wenzhou Huiyi Valve Technology Co.,Ltd

Add:No.2158,Binhai 1st Road,Economic and Technical Development Zone,Longwan Distric,Wenzhou City,Zhejiang Province,China
Tel:0086-577-86998027 Fax:0086-577-86998037 Mobile:0086-18057736259

3pc Ball Valve with Mounting Pad, Thread End, Full Bore

- Applicable Medium : WOG, nitric acid , acetic acid
- Connection Type: female thread(BSPT,BSPP,BSPT,DIN2999,ISO7/1-1982)
- Material: ASTM A351 CF8M(316),ASTM A351 CF8(304), ASTM A216 WCB, DIN0.4308, DIN1.4408

DIMENSIONS

Size	∅ D(mm)	L(mm)	H(mm)	W(mm)
1/4"	12.5	64	68.4	135
3/8"	12.5	64	68.4	135
1/2"	15	72	72	135
3/4"	20	80	76	135
1"	25	85	90.3	152
1-1/4"	32	105	95.3	152
1-1/2"	38	113	107	188
2"	50	132	122	188
2-1/2"	65	170	155	233
3"	76	186	164	233
4"	94	220	172	335

Wenzhou Huiyi Valve Technology Co.,Ltd

Add:No.2158,Binhai 1st Road,Economic and Technical Development Zone,Longwan Distric,Wenzhou City,Zhejiang Province,China
Tel:0086-577-86998027 Fax:0086-577-86998037 Mobile:0086-18057736259

Email: sales@huiyivalve.com info@huiyivalve.com

Skype: angelzhang880108 , huiyivalve Wechat: huiyivalve Websit: <http://www.huiyivalve.com>

Website in Alibaba: www.huiyivalve.en.alibaba.com Website in Made in China: <https://huiyivalve.en.made-in-china.com/>



Wenzhou Huiyi Valve Technology Co.,Ltd

Add:No.2158,Binhai 1st Road,Economic and Technical Development Zone,Longwan Distric,Wenzhou City,Zhejiang Province,China
Tel:0086-577-86998027 Fax:0086-577-86998037 Mobile:0086-18057736259

3pc Ball Valve with Mounting Pad, Thread End, Full Bore

MAIN PARTS

No.	Part Name	Material
1	Handle Cover	Plastic
2	Handle	304
3	Bolt	304
4	Bolt Nut	304
5	Stem Nut	304
6	Adjustable Ring	304
7	Spring Washer	304
8	Stem Packing	PTFE
9	Body Seal	PTFE
10	Bonnet	CF8/CF8M
11	Bolt	304
12	Thrust Washer	304
13	Nut	304
14	Body	CF8/CF8M
15	Ball Seat	PTFE
16	Ball	CF8/CF8M
17	Thrust Washer	PTFE
18	Stem	304

Wenzhou Huiyi Valve Technology Co.,Ltd

Add:No.2158,Binhai 1st Road,Economic and Technical Development Zone,Longwan Distric,Wenzhou City,Zhejiang Province,China
Tel:0086-577-86998027 Fax:0086-577-86998037 Mobile:0086-18057736259

Email: sales@huiyivalve.com info@huiyivalve.com

Skype: angelzhang880108 , huiyivalve Wechat: huiyivalve Websit: <http://www.huiyivalve.com>

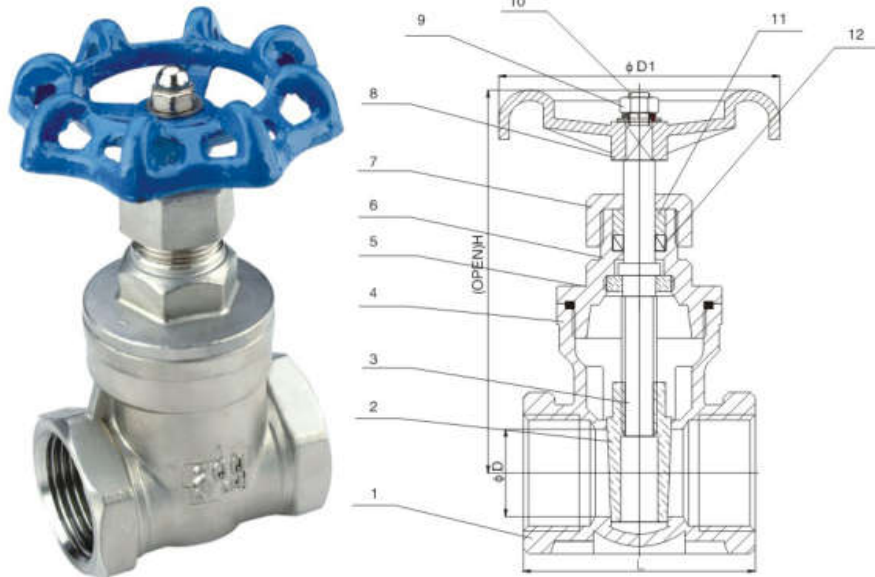
Website in Alibaba: www.huiyivalve.en.alibaba.com Website in Made in China: <https://huiyivalve.en.made-in-china.com/>



Wenzhou Huiyi Valve Technology Co.,Ltd

Add:No.2158,Binhai 1st Road,Economic and Technical Development Zone,Longwan Distric,Wenzhou City,Zhejiang Province,China
Tel:0086-577-86998027 Fax:0086-577-86998037 Mobile:0086-18057736259

Gate Valve, Thread End



- Model: Z15W
- Specification: 1/2"-2"
- Design : According to ANSI B16.34
- Inspection and Test : API 598
- Manufacture Type : Casting
- Structure Length: According to GB/T 15188.3-94

Wenzhou Huiyi Valve Technology Co.,Ltd

Add:No.2158,Binhai 1st Road,Economic and Technical Development Zone,Longwan Distric,Wenzhou City,Zhejiang Province,China
Tel:0086-577-86998027 Fax:0086-577-86998037 Mobile:0086-18057736259

Email: sales@huiyivalve.com info@huiyivalve.com

Skype: angelzhang880108 , huiyivalve Wechat: huiyivalve Websit: <http://www.huiyivalve.com>

Website in Alibaba: www.huiyivalve.en.alibaba.com Website in Made in China: <http://www.huiyivalve.en.made-in-china.com/>



Wenzhou Huiyi Valve Technology Co.,Ltd

Add:No.2158,Binhai 1st Road,Economic and Technical Development Zone,Longwan Distric,Wenzhou City,Zhejiang Province,China
Tel:0086-577-86998027 Fax:0086-577-86998037 Mobile:0086-18057736259

Gate Valve, Thread End

- Working Pressure: 200PSI (14 bar)
- Temperature Range: -20 degree C to 232 degree C (-80 degree F to 450 degree F)
- Applicable Medium : WOG, nitric acid , acetic acid
- Connection Type: female thread(BSPT,BSPP,BSPT,DIN2999,ISO7/1-1982)
- Material: ASTM A351 CF8M(316),ASTM A351 CF8(304), ASTM A216 WCB, DIN0.4308, DIN1.4408

DIMENSIONS

Size	∅ D(mm)	L(mm)	H(mm)	∅ D1(mm)
1/2"	15	55	92	70
3/4"	20	60	99	70
1"	25	66	113	80
1-1/4"	32	76	128	80
1-1/2"	40	88	147	90
2"	50	96	168	100

Wenzhou Huiyi Valve Technology Co.,Ltd

Add:No.2158,Binhai 1st Road,Economic and Technical Development Zone,Longwan Distric,Wenzhou City,Zhejiang Province,China
Tel:0086-577-86998027 Fax:0086-577-86998037 Mobile:0086-18057736259

Email: sales@huiyivalve.com info@huiyivalve.com

Skype: angelzhang880108 , huiyivalve Wechat: huiyivalve Websit: <http://www.huiyivalve.com>

Website in Alibaba: www.huiyivalve.en.alibaba.com Website in Made in China: <https://huiyivalve.en.made-in-china.com/>



Wenzhou Huiyi Valve Technology Co.,Ltd

Add:No.2158,Binhai 1st Road,Economic and Technical Development Zone,Longwan Distric,Wenzhou City,Zhejiang Province,China
Tel:0086-577-86998027 Fax:0086-577-86998037 Mobile:0086-18057736259

Gate Valve, Thread End

MAIN PARTS

No.	Part Name	Material
1	Body	CF8/CF8M
2	Bonnet	CF8/CF8M
3	Stop Ring	304
4	Stem	316
5	Packing	PTFE
6	Hand Wheel Nut	304
7	Hand Wheel	Aluminum
8	Packing Nut	316
9	Ring	304
10	Lock Nut	316
11	Gasket	PTFE
12	Disc	CF8/CF8M

Wenzhou Huiyi Valve Technology Co.,Ltd

Add:No.2158,Binhai 1st Road,Economic and Technical Development Zone,Longwan Distric,Wenzhou City,Zhejiang Province,China

Tel:0086-577-86998027

Fax:0086-577-86998037

Mobile:0086-18057736259

Email: sales@huiyivalve.com

info@huiyivalve.com

Skype: angelzhang880108 , huiyivalve

Wechat: huiyivalve

Websit: <http://www.huiyivalve.com>

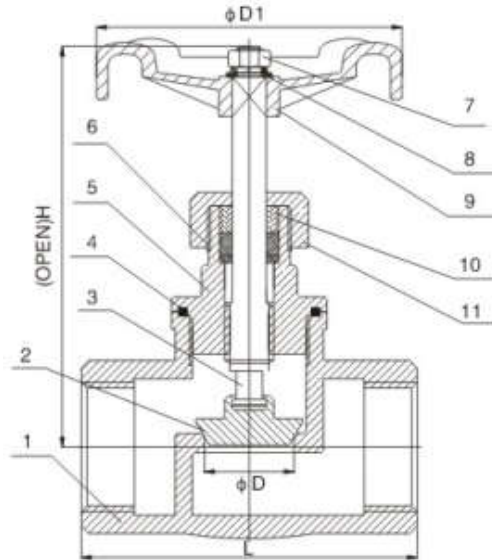
Website in Alibaba: www.huiyivalve.en.alibaba.com Website in Made in China: <https://huiyivalve.en.made-in-china.com/>



Wenzhou Huiyi Valve Technology Co.,Ltd

Add:No.2158,Binhai 1st Road,Economic and Technical Development Zone,Longwan Distric,Wenzhou City,Zhejiang Province,China
Tel:0086-577-86998027 Fax:0086-577-86998037 Mobile:0086-18057736259

Globe Valve, Thread End



- Model: J11W
- Specification: 1/2"-2"
- Design : According to ANSI B16.34
- Inspection and Test : API 598
- Manufacture Type : Casting
- Structure Length: According to GB/T 15188.3-94
- Working Pressure: 200PSI (14 bar)

Wenzhou Huiyi Valve Technology Co.,Ltd

Add:No.2158,Binhai 1st Road,Economic and Technical Development Zone,Longwan Distric,Wenzhou City,Zhejiang Province,China

Tel:0086-577-86998027

Fax:0086-577-86998037

Mobile:0086-18057736259

Email: sales@huiyivalve.com

info@huiyivalve.com

Skype: angelzhang880108 , huiyivalve

Wechat: huiyivalve

Website: <http://www.huiyivalve.com>

Website in Alibaba: www.huiyivalve.en.alibaba.com Website in Made in China: <http://www.huiyivalve.en.made-in-china.com/>



Wenzhou Huiyi Valve Technology Co.,Ltd

Add:No.2158,Binhai 1st Road,Economic and Technical Development Zone,Longwan Distric,Wenzhou City,Zhejiang Province,China
Tel:0086-577-86998027 Fax:0086-577-86998037 Mobile:0086-18057736259

Globe Valve, Thread End

- Temperature Range: -20 degree C to 232 degree C (-80 degree F to 450 degree F)
- Applicable Medium : WOG, nitric acid , acetic acid
- Connection Type: female thread(BSPT,BSPP,BSPT,DIN2999,ISO7/1-1982)
- Material: ASTM A351 CF8M(316),ASTM A351 CF8(304), ASTM A216 WCB, DIN0.4308, DIN1.4408

DIMENSIONS

Size	∅ D(mm)	L(mm)	H(mm)	∅ D1(mm)
1/2"	15	66	100	70
3/4"	20	80	106	70
1"	25	90	118	80
1-1/4"	32	105	134	80
1-1/2"	40	120	152	100
2"	50	141	172	100

Wenzhou Huiyi Valve Technology Co.,Ltd

Add:No.2158,Binhai 1st Road,Economic and Technical Development Zone,Longwan Distric,Wenzhou City,Zhejiang Province,China
Tel:0086-577-86998027 Fax:0086-577-86998037 Mobile:0086-18057736259

Email: sales@huiyivalve.com info@huiyivalve.com

Skype: angelzhang880108 , huiyivalve Wechat: huiyivalve Websit: <http://www.huiyivalve.com>

Website in Alibaba: www.huiyivalve.en.alibaba.com Website in Made in China: <https://huiyivalve.en.made-in-china.com/>



Wenzhou Huiyi Valve Technology Co.,Ltd

Add:No.2158,Binhai 1st Road,Economic and Technical Development Zone,Longwan Distric,Wenzhou City,Zhejiang Province,China
Tel:0086-577-86998027 Fax:0086-577-86998037 Mobile:0086-18057736259

Globe Valve, Thread End

MAIN PARTS

No.	Part Name	Material
1	Body	CF8/CF8M
2	Petal	CF8/CF8M
3	Stem	316
4	Gasket	PTFE
5	Cap	CF8/CF8M
6	Washer	316/304
7	Nut	304
8	Ring	304
9	Hand Wheel	Aluminum
10	Gland Ring	CF8/CF8M
11	Stem Packing	PTFE

Wenzhou Huiyi Valve Technology Co.,Ltd

Add:No.2158,Binhai 1st Road,Economic and Technical Development Zone,Longwan Distric,Wenzhou City,Zhejiang Province,China
Tel:0086-577-86998027 Fax:0086-577-86998037 Mobile:0086-18057736259

Email: sales@huiyivalve.com info@huiyivalve.com

Skype: angelzhang880108 , huiyivalve Wechat: huiyivalve Websit: <http://www.huiyivalve.com>

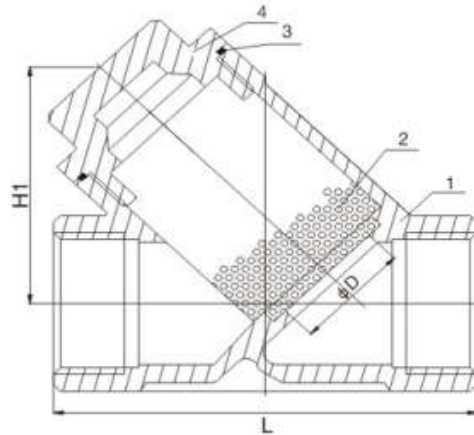
Website in Alibaba: www.huiyivalve.en.alibaba.com Website in Made in China: <https://huiyivalve.en.made-in-china.com/>



Wenzhou Huiyi Valve Technology Co.,Ltd

Add:No.2158,Binhai 1st Road,Economic and Technical Development Zone,Longwan Distric,Wenzhou City,Zhejiang Province,China
Tel:0086-577-86998027 Fax:0086-577-86998037 Mobile:0086-18057736259

Y-Strainer , Thread End



- Model: SG11W
- Specification: 1/4"-2"
- Design : According to ANSI B16.34
- Inspection and Test : API 598
- Manufacture Type : Casting
- Structure Length: According to GB/T 15188.3-94
- Working Pressure: 200PSI (14 bar)
- Temperature Range: -20 degree C to 232 degree C (-80 degree F to 450 degree F)
- Applicable Medium : WOG, nitric acid , acetic acid
- Connection Type: female thread(BSPT,BSPP,BSPT,DIN2999,ISO7/1-1982)

Wenzhou Huiyi Valve Technology Co.,Ltd

Add:No.2158,Binhai 1st Road,Economic and Technical Development Zone,Longwan Distric,Wenzhou City,Zhejiang Province,China
Tel:0086-577-86998027 Fax:0086-577-86998037 Mobile:0086-18057736259

Email: sales@huiyivalve.com info@huiyivalve.com

Skype: angelzhang880108 , huiyivalve Wechat: huiyivalve Websit: <http://www.huiyivalve.com>

Website in Alibaba: www.huiyivalve.en.alibaba.com Website in Made in China: www.huiyivalve.en.made-in-china.com/



Wenzhou Huiyi Valve Technology Co.,Ltd

Add:No.2158,Binhai 1st Road,Economic and Technical Development Zone,Longwan Distric,Wenzhou City,Zhejiang Province,China
Tel:0086-577-86998027 Fax:0086-577-86998037 Mobile:0086-18057736259

Y-Strainer , Thread End

- Material: ASTM A351 CF8M(316),ASTM A351 CF8(304), ASTM A216 WCB, DIN0.4308, DIN1.4408

DIMENSIONS

Size	∅ D(mm)	L(mm)	H1(mm)
1/4"	10	65	51
3/8"	12	65	51
1/2"	15	65	51
3/4"	20	80	60
1"	25	90	72
1-1/4"	32	105	77
1-1/2"	40	120	87
2"	50	140	103

MAIN PARTS

No.	Part Name	Material
1	Body	CF8/CF8M
2	Screen	316
3	Gasket	PTFE
4	Bonnet	CF8/CF8M
5	Discharge Plug	CF8/CF8M

Wenzhou Huiyi Valve Technology Co.,Ltd

Add:No.2158,Binhai 1st Road,Economic and Technical Development Zone,Longwan Distric,Wenzhou City,Zhejiang Province,China
Tel:0086-577-86998027 Fax:0086-577-86998037 Mobile:0086-18057736259

Email: sales@huiyivalve.com info@huiyivalve.com

Skype: angelzhang880108 , huiyivalve Wechat: huiyivalve Websit: <http://www.huiyivalve.com>

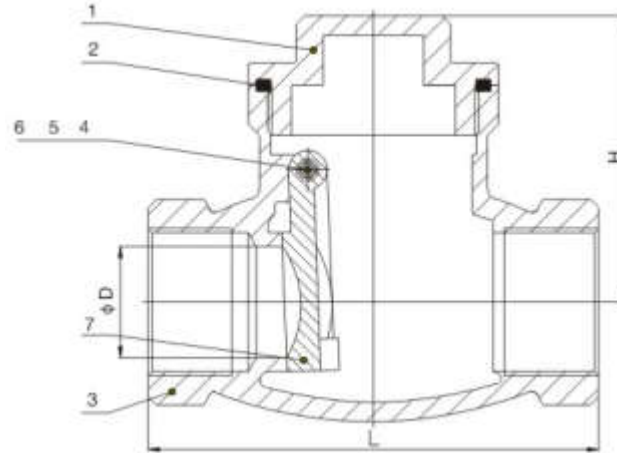
Website in Alibaba: www.huiyivalve.en.alibaba.com Website in Made in China: <https://huiyivalve.en.made-in-china.com/>



Wenzhou Huiyi Valve Technology Co.,Ltd

Add:No.2158,Binhai 1st Road,Economic and Technical Development Zone,Longwan Distric,Wenzhou City,Zhejiang Province,China
Tel:0086-577-86998027 Fax:0086-577-86998037 Mobile:0086-18057736259

Swing Check Valve, Thread End



- **Model:** H14W
- **Specification:** 1/2"-2"
- **Design :** According to ANSI B16.34
- **Inspection and Test :** API 598
- **Manufacture Type :** Casting
- **Structure Length:** According to GB/T 15188.3-94
- **Working Pressure:** 200PSI (14 bar)
- **Temperature Range:** -20 degree C to 232 degree C (-80 degree F to 450 degree F)
- **Applicable Medium :** WOG, nitric acid , acetic acid

Wenzhou Huiyi Valve Technology Co.,Ltd

Add:No.2158,Binhai 1st Road,Economic and Technical Development Zone,Longwan Distric,Wenzhou City,Zhejiang Province,China
Tel:0086-577-86998027 Fax:0086-577-86998037 Mobile:0086-18057736259

Email: sales@huiyivalve.com info@huiyivalve.com

Skype: angelzhang880108 , huiyivalve Wechat: huiyivalve Websit: <http://www.huiyivalve.com>

Website in Alibaba: www.huiyivalve.en.alibaba.com Website in Made in China: <https://huiyivalve.en.made-in-china.com/>



Wenzhou Huiyi Valve Technology Co.,Ltd

Add:No.2158,Binhai 1st Road,Economic and Technical Development Zone,Longwan Distric,Wenzhou City,Zhejiang Province,China
Tel:0086-577-86998027 Fax:0086-577-86998037 Mobile:0086-18057736259

Swing Check Valve, Thread End

- Connection Type: female thread(BSPT,BSPP,BSPT,DIN2999,ISO7/1-1982)
- Material: ASTM A351 CF8M(316),ASTM A351 CF8(304), ASTM A216 WCB, DIN0.4308, DIN1.4408

DIMENSIONS

Size	∅ D(mm)	L(mm)	H(mm)
1/2"	15	65	43
3/4"	20	80	53
1"	25	90	60
1-1/4"	32	105	60
1-1/2"	40	120	75
2"	50	140	79

MAIN PARTS

No.	Part Name	Material
1	Bonnet	CF8/CF8M
2	Gasket	PTFE
3	Body	CF8/CF8M
4	Hanger Pin	304
5	Plug Gasket	PTFE
6	Plug	304
7	Discharge Plug	CF8/CF8M

Wenzhou Huiyi Valve Technology Co.,Ltd

Add:No.2158,Binhai 1st Road,Economic and Technical Development Zone,Longwan Distric,Wenzhou City,Zhejiang Province,China
Tel:0086-577-86998027 Fax:0086-577-86998037 Mobile:0086-18057736259

Email: sales@huiyivalve.com info@huiyivalve.com

Skype: angelzhang880108 , huiyivalve Wechat: huiyivalve Websit: <http://www.huiyivalve.com>

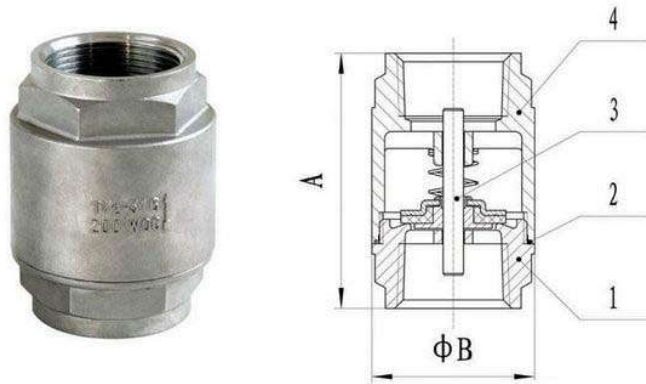
Website in Alibaba: www.huiyivalve.en.alibaba.com Website in Made in China: <https://huiyivalve.en.made-in-china.com/>



Wenzhou Huiyi Valve Technology Co.,Ltd

Add:No.2158,Binhai 1st Road,Economic and Technical Development Zone,Longwan Distric,Wenzhou City,Zhejiang Province,China
Tel:0086-577-86998027 Fax:0086-577-86998037 Mobile:0086-18057736259

Lift/Vertical Check Valve, Thread End



- **Model:** H12W
- **Specification:** 1/2"-2"
- **Design :** According to ANSI B16.34
- **Inspection and Test :** API 598
- **Manufacture Type :** Casting
- **Structure Length:** According to GB/T 15188.3-94
- **Working Pressure:** 200PSI (14 bar)
- **Temperature Range:** -20 degree C to 232 degree C (-80 degree F to 450 degree F)
- **Applicable Medium :** WOG, nitric acid , acetic acid

Wenzhou Huiyi Valve Technology Co.,Ltd

Add:No.2158,Binhai 1st Road,Economic and Technical Development Zone,Longwan Distric,Wenzhou City,Zhejiang Province,China
Tel:0086-577-86998027 Fax:0086-577-86998037 Mobile:0086-18057736259

Email: sales@huiyivalve.com info@huiyivalve.com

Skype: angelzhang880108 , huiyivalve Wechat: huiyivalve Websit: <http://www.huiyivalve.com>

Website in Alibaba: www.huiyivalve.en.alibaba.com Website in Made in China: <https://huiyivalve.en.made-in-china.com/>



Wenzhou Huiyi Valve Technology Co.,Ltd

Add:No.2158,Binhai 1st Road,Economic and Technical Development Zone,Longwan Distric,Wenzhou City,Zhejiang Province,China
Tel:0086-577-86998027 Fax:0086-577-86998037 Mobile:0086-18057736259

Lift/Vertical Check Valve, Thread End

- Connection Type: female thread(BSPT,BSPP,BSPT,DIN2999,ISO7/1-1982)
- Material: ASTM A351 CF8M(316),ASTM A351 CF8(304), ASTM A216 WCB, DIN0.4308, DIN1.4408

DIMENSIONS

Size	∅ B(mm)	A(mm)
1/2"	34	60
3/4"	48	70
1"	56	80
1-1/4"	72	90
1-1/2"	86	100
2"	102	110

MAIN PARTS

No.	Part Name	Material
1	Body	CF8/CF8M/SS201
2	Bonnet	CF8/CF8M/SS201
3	Disc	CF8/CF8M/SS201
4	Sealing	PTFE

Wenzhou Huiyi Valve Technology Co.,Ltd

Add:No.2158,Binhai 1st Road,Economic and Technical Development Zone,Longwan Distric,Wenzhou City,Zhejiang Province,China
Tel:0086-577-86998027 Fax:0086-577-86998037 Mobile:0086-18057736259

Email: sales@huiyivalve.com info@huiyivalve.com

Skype: angelzhang880108 , huiyivalve Wechat: huiyivalve Websit: <http://www.huiyivalve.com>

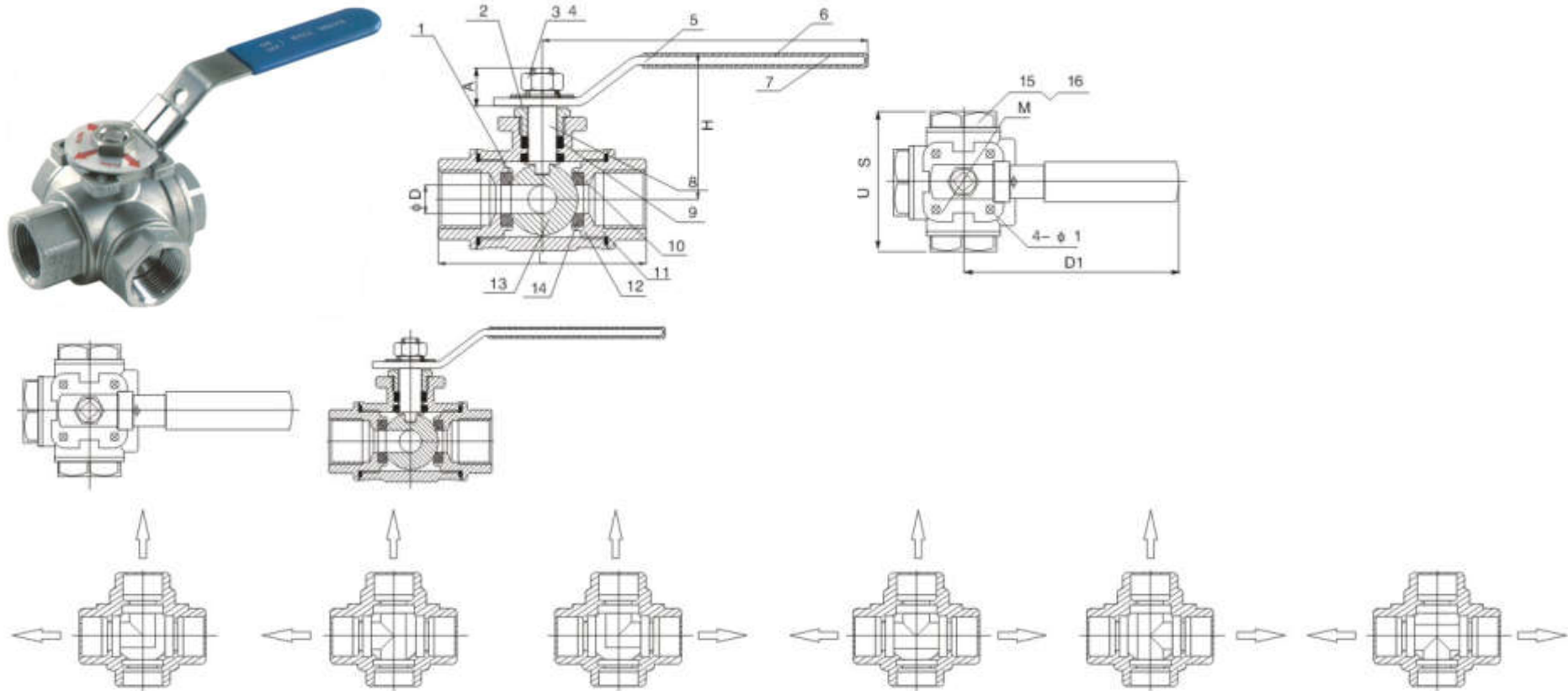
Website in Alibaba: www.huiyivalve.en.alibaba.com Website in Made in China: <https://huiyivalve.en.made-in-china.com/>



Wenzhou Huiyi Valve Technology Co.,Ltd

Add:No.2158,Binhai 1st Road,Economic and Technical Development Zone,Longwan Distric,Wenzhou City,Zhejiang Province,China
Tel:0086-577-86998027 Fax:0086-577-86998037 Mobile:0086-18057736259

3 Way Ball Valve, Thread End, Full Bore



Wenzhou Huiyi Valve Technology Co.,Ltd

Add:No.2158,Binhai 1st Road,Economic and Technical Development Zone,Longwan Distric,Wenzhou City,Zhejiang Province,China

Tel:0086-577-86998027

Fax:0086-577-86998037

Mobile:0086-18057736259

Email: sales@huiyivalve.com

info@huiyivalve.com

Skype: angelzhang880108 , huiyivalve

Wechat: huiyivalve

Websit: <http://www.huiyivalve.com>

Website in Alibaba: www.huiyivalve.en.alibaba.com Website in Made in China: <https://huiyivalve.en.made-in-china.com/>



Wenzhou Huiyi Valve Technology Co.,Ltd

Add:No.2158,Binhai 1st Road,Economic and Technical Development Zone,Longwan Distric,Wenzhou City,Zhejiang Province,China
Tel:0086-577-86998027 Fax:0086-577-86998037 Mobile:0086-18057736259

3 Way Ball Valve, Thread End, Full Bore

- Model: Q14F
- Specification: 1/4"-2"
- Design : According to ANSI B16.34
- Inspection and Test : API 598
- Manufacture Type : Casting
- Structure Length: According to GB/T 15188.3-94
- Working Pressure: 1000PSI (68.9 bar)
- Temperature Range: -20 degree C to 232 degree C (-80 degree F to 450 degree F)
- Applicable Medium : WOG, nitric acid , acetic acid
- Connection Type: female thread(BSPT,BSPP,BSPT,DIN2999,ISO7/1-1982)
- Material: ASTM A351 CF8M(316),ASTM A351 CF8(304), ASTM A216 WCB, DIN0.4308, DIN1.4408

DIMENSIONS

Size	∅ D(mm)	L(mm)	C(mm)	H(mm)	D1(mm)	M(mm)	I(mm)	A(mm)	S(mm)	U(mm)
1/2"	12.7	75	9	68	116	42	6	10	33	37.5
3/4"	16	85	9	73	116	42	6	10	39.5	42.5
1"	20	100	11	83	152	50	7	12	50	52
1-1/4"	25	115	11	89	152	50	7	12	50.5	57.5
1-1/2"	32	124	14	97	187	70	9	16	57	62
2"	38	147	14	106	187	70	9	16	65	75

Wenzhou Huiyi Valve Technology Co.,Ltd

Add:No.2158,Binhai 1st Road,Economic and Technical Development Zone,Longwan Distric,Wenzhou City,Zhejiang Province,China

Tel:0086-577-86998027

Fax:0086-577-86998037

Mobile:0086-18057736259

Email: sales@huiyivalve.com

info@huiyivalve.com

Skype: angelzhang880108 , huiyivalve

Wechat: huiyivalve

Website: <http://www.huiyivalve.com>

Website in Alibaba: www.huiyivalve.en.alibaba.com Website in Made in China: <https://huiyivalve.en.made-in-china.com/>



Wenzhou Huiyi Valve Technology Co.,Ltd

Add:No.2158,Binhai 1st Road,Economic and Technical Development Zone,Longwan Distric,Wenzhou City,Zhejiang Province,China
Tel:0086-577-86998027 Fax:0086-577-86998037 Mobile:0086-18057736259

3 Way Ball Valve, Thread End, Full Bore

MAIN PARTS

No.	Part Name	Material
1	Body	CF8/CF8M
2	Gland Nut	304
3	Flow Indication Plate	Aluminum
4	Stem Nut	304
5	Locking	304
6	Handle	304
7	Handle Cover	Plastic
8	Stem	304
9	Stem Packing	PTFE
10	Stem Seal	PTFE
11	Cap	CF8/CF8M
12	Body Seal	PTFE
13	Ball	CF8/CF8M
14	Ball Seat	PTFE
15	Blind Cap	CF8/CF8M
16	Blind Cap Seal	PTFE

Wenzhou Huiyi Valve Technology Co.,Ltd

Add:No.2158,Binhai 1st Road,Economic and Technical Development Zone,Longwan Distric,Wenzhou City,Zhejiang Province,China
Tel:0086-577-86998027 Fax:0086-577-86998037 Mobile:0086-18057736259

Email: sales@huiyivalve.com info@huiyivalve.com

Skype: angelzhang880108 , huiyivalve Wechat: huiyivalve Websit: <http://www.huiyivalve.com>

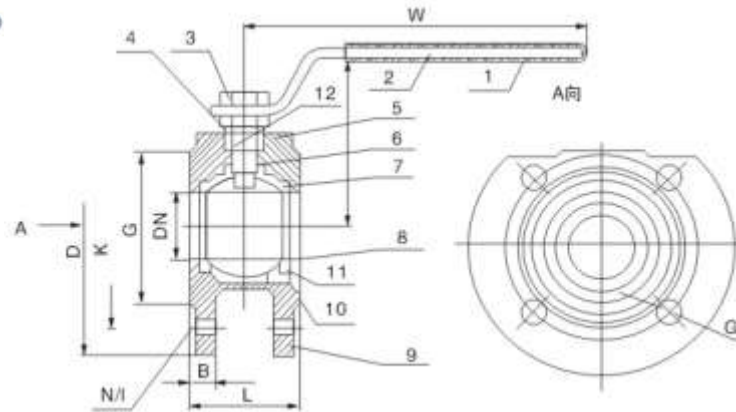
Website in Alibaba: www.huiyivalve.en.alibaba.com Website in Made in China: <https://huiyivalve.en.made-in-china.com/>



Wenzhou Huiyi Valve Technology Co.,Ltd

Add:No.2158,Binhai 1st Road,Economic and Technical Development Zone,Longwan Distric,Wenzhou City,Zhejiang Province,China
Tel:0086-577-86998027 Fax:0086-577-86998037 Mobile:0086-18057736259

1-pc Wafer Flanged Ball Valve



- **Model:** Q71F
- **Specification:** DN15-DN150
- **Design :** According to ANSI B16.34
- **Inspection and Test :** API 598
- **Manufacture Type :** Casting
- **Structure Length:** According to GB/T 15188.3-94
- **Working Pressure:** PN14, PN40
- **Temperature Range:** -20 degree C to 232 degree C (-80 degree F to 450 degree F)
- **Applicable Medium :** WOG, nitric acid , acetic acid
- **Connection Type:** flange end

Wenzhou Huiyi Valve Technology Co.,Ltd

Add:No.2158,Binhai 1st Road,Economic and Technical Development Zone,Longwan Distric,Wenzhou City,Zhejiang Province,China
Tel:0086-577-86998027 Fax:0086-577-86998037 Mobile:0086-18057736259

Email: sales@huiyivalve.com info@huiyivalve.com

Skype: angelzhang880108 , huiyivalve Wechat: huiyivalve Websit: <http://www.huiyivalve.com>

Website in Alibaba: www.huiyivalve.en.alibaba.com Website in Made in China: www.huiyivalve.en.made-in-china.com/



Wenzhou Huiyi Valve Technology Co.,Ltd

Add:No.2158,Binhai 1st Road,Economic and Technical Development Zone,Longwan Distric,Wenzhou City,Zhejiang Province,China
Tel:0086-577-86998027 Fax:0086-577-86998037 Mobile:0086-18057736259

1-pc Wafer Flanged Ball Valve

- Material: ASTM A351 CF8M(316),ASTM A351 CF8(304), ASTM A216 WCB, DIN0.4308, DIN1.4408

DIMENSIONS

Size	L(mm)	K(mm)	H(mm)	W(mm)
DN15	40	65	63	125
DN20	44	75	68	125
DN25	48	85	80	167
DN32	54	100	87	167
DN40	62	110	104	190
DN50	71	125	110	195
DN65	90	145	128	310
DN80	110	160	135	310
DN100	135	180	151	295
DN125	197	210	192	295
DN150	231	240	231	350

Wenzhou Huiyi Valve Technology Co.,Ltd

Add:No.2158,Binhai 1st Road,Economic and Technical Development Zone,Longwan Distric,Wenzhou City,Zhejiang Province,China
Tel:0086-577-86998027 Fax:0086-577-86998037 Mobile:0086-18057736259

Email: sales@huiyivalve.com info@huiyivalve.com

Skype: angelzhang880108 , huiyivalve Wechat: huiyivalve Websit: <http://www.huiyivalve.com>

Website in Alibaba: www.huiyivalve.en.alibaba.com Website in Made in China: <https://huiyivalve.en.made-in-china.com/>



Wenzhou Huiyi Valve Technology Co.,Ltd

Add:No.2158,Binhai 1st Road,Economic and Technical Development Zone,Longwan Distric,Wenzhou City,Zhejiang Province,China
Tel:0086-577-86998027 Fax:0086-577-86998037 Mobile:0086-18057736259

1-pc Wafer Flanged Ball Valve

MAIN PARTS

No.	Part Name	Material
1	Handle Cover	Plastic
2	Handle	304
3	Nut	304
4	Ring	304
5	Stem Packing	PTFE
6	Stem Seal	PTFE
7	Ball Seat	PTFE
8	Ball	CF8/CF8M
9	Body	CF8/CF8M
10	Body Seat	PTFE
11	Cap	CF8/CF8M
12	Stem	316/304

Wenzhou Huiyi Valve Technology Co.,Ltd

Add:No.2158,Binhai 1st Road,Economic and Technical Development Zone,Longwan Distric,Wenzhou City,Zhejiang Province,China

Tel:0086-577-86998027

Fax:0086-577-86998037

Mobile:0086-18057736259

Email: sales@huiyivalve.com

info@huiyivalve.com

Skype: angelzhang880108 , huiyivalve

Wechat: huiyivalve

Websit: <http://www.huiyivalve.com>

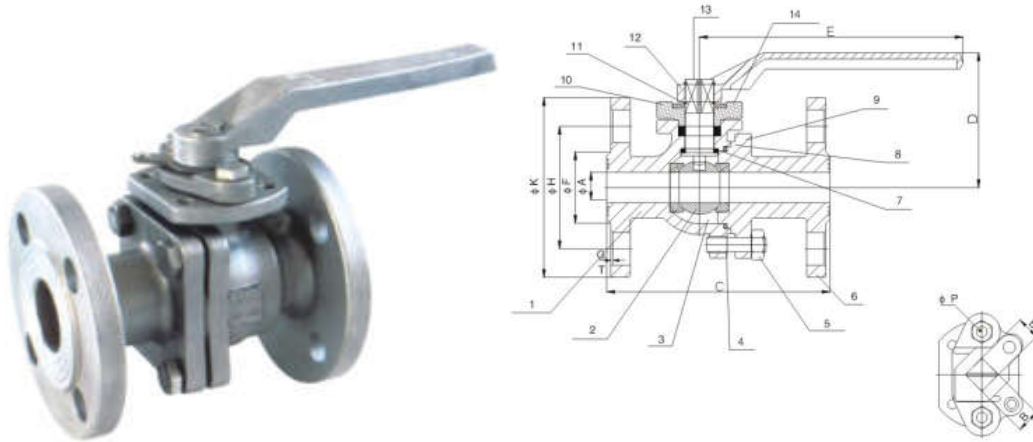
Website in Alibaba: www.huiyivalve.en.alibaba.com Website in Made in China: <https://huiyivalve.en.made-in-china.com/>



Wenzhou Huiyi Valve Technology Co.,Ltd

Add:No.2158,Binhai 1st Road,Economic and Technical Development Zone,Longwan Distric,Wenzhou City,Zhejiang Province,China
Tel:0086-577-86998027 Fax:0086-577-86998037 Mobile:0086-18057736259

2-pc Flange Ball Valve



- **Model:** Q41F-2pc
- **Specification:** 1/2" – 4"
- **Design :** According to ANSI 150/300,JIS 10/20K, PN16/25/40
- **Inspection and Test :** API 598
- **Manufacture Type :** Casting
- **Structure Length:** According to GB/T 15188.3-94
- **Working Pressure:** ANSI 150/300, JIS 10/20K, PN 16/25/40
- **Temperature Range:** -20 degree C to 232 degree C (-80 degree F to 450 degree F)
- **Applicable Medium :** WOG, nitric acid , acetic acid
- **Connection Type:** flange end

Wenzhou Huiyi Valve Technology Co.,Ltd

Add:No.2158,Binhai 1st Road,Economic and Technical Development Zone,Longwan Distric,Wenzhou City,Zhejiang Province,China
Tel:0086-577-86998027 Fax:0086-577-86998037 Mobile:0086-18057736259

Email: sales@huiyivalve.com info@huiyivalve.com

Skype: angelzhang880108 , huiyivalve Wechat: huiyivalve Websit: <http://www.huiyivalve.com>

Website in Alibaba: www.huiyivalve.en.alibaba.com Website in Made in China: www.huiyivalve.en.made-in-china.com/



Wenzhou Huiyi Valve Technology Co.,Ltd

Add:No.2158,Binhai 1st Road,Economic and Technical Development Zone,Longwan Distric,Wenzhou City,Zhejiang Province,China
 Tel:0086-577-86998027 Fax:0086-577-86998037 Mobile:0086-18057736259

2-pc Flange Ball Valve

- Material: ASTM A351 CF8M(316),ASTM A351 CF8(304), ASTM A216 WCB, DIN0.4308, DIN1.4408

DIMENSIONS (ANSI 150/300)

Size	A	B	D	E	P	150 LB PN2.0Mpa								300 LB PN5.0Mpa							
						F	H	K	T	G	N	M	C	F	H	K	T	G	N	M	C
1/2"	15	11	73	130	42	35	61	89	11	2	4	15	108	35	67	95	15	2	4	15	140
3/4"	20	11	76	130	42	43	70	98	11	2	4	15	117	43	83	117	16	2	4	15	152
1"	25	14	86	160	50	51	80	108	12	2	4	15	127	51	89	124	18	2	4	19	165
1-1/4"	32	14	91	160	50	64	89	117	13	2	4	15	140	64	99	133	19	2	4	19	178
1-1/2"	38	17	119	200	70	73	99	127	15	2	4	15	165	73	115	156	21	2	4	19	190
2"	50	17	127	200	70	92	121	152	16	2	4	19	178	92	127	165	23	2	8	19	216
2-1/2"	65	22	136	200	102	105	140	178	18	2	4	19	190	105	149	190	26	2	8	19	241
3"	76	22	164	325	102	127	153	190	19	2	4	19	203	127	169	210	29	2	8	23	283
4"	94	22	178	325	102	157	191	229	24	2	4	19	229	157	200	254	32	2	8	23	305

Remark: Above dimensions are in millimeters

Wenzhou Huiyi Valve Technology Co.,Ltd

Add:No.2158,Binhai 1st Road,Economic and Technical Development Zone,Longwan Distric,Wenzhou City,Zhejiang Province,China

Tel:0086-577-86998027

Fax:0086-577-86998037

Mobile:0086-18057736259

Email: sales@huiyivalve.com

info@huiyivalve.com

Skype: angelzhang880108 , huiyivalve

Wechat: huiyivalve

Websit: <http://www.huiyivalve.com>

Website in Alibaba: www.huiyivalve.en.alibaba.com Website in Made in China: <https://huiyivalve.en.made-in-china.com/>



Wenzhou Huiyi Valve Technology Co.,Ltd

Add:No.2158,Binhai 1st Road,Economic and Technical Development Zone,Longwan Distric,Wenzhou City,Zhejiang Province,China
Tel:0086-577-86998027 Fax:0086-577-86998037 Mobile:0086-18057736259

2-pc Flange Ball Valve

DIMENSIONS (JIS 10K/20K)

Size	A	B	D	E	P	10K								20K							
						F	H	K	T	G	N	M	C	F	H	K	T	G	N	M	C
1/2"	15	11	73	130	42	52	70	95	12	1	4	15	108	52	70	95	14	1	4	15	140
3/4"	20	11	76	130	42	58	75	100	14	1	4	15	117	58	75	100	16	1	4	15	152
1"	25	14	86	160	50	70	90	125	14	1	4	19	127	70	90	125	16	1	4	19	165
1-1/4"	32	14	91	160	50	80	100	135	16	2	4	19	140	80	100	135	18	2	4	19	178
1-1/2"	38	17	119	200	70	85	105	140	16	2	4	19	165	85	105	140	18	2	4	19	190
2"	50	17	127	200	70	100	120	155	16	2	4	19	178	100	120	155	18	2	8	19	216
2-1/2"	65	22	136	200	102	120	140	175	18	2	4	19	190	120	140	175	20	2	8	19	241
3"	76	22	164	325	102	130	150	185	18	2	8	19	203	135	160	200	22	2	8	23	283
4"	94	22	178	325	102	155	175	210	18	2	8	19	229	160	185	225	24	2	8	23	305

Remark: Above dimensions are in millimeters

Wenzhou Huiyi Valve Technology Co.,Ltd

Add:No.2158,Binhai 1st Road,Economic and Technical Development Zone,Longwan Distric,Wenzhou City,Zhejiang Province,China

Tel:0086-577-86998027

Fax:0086-577-86998037

Mobile:0086-18057736259

Email: sales@huiyivalve.com

info@huiyivalve.com

Skype: angelzhang880108 , huiyivalve

Wechat: huiyivalve

Website: <http://www.huiyivalve.com>

Website in Alibaba: www.huiyivalve.en.alibaba.com Website in Made in China: <https://huiyivalve.en.made-in-china.com/>



Wenzhou Huiyi Valve Technology Co.,Ltd

Add:No.2158,Binhai 1st Road,Economic and Technical Development Zone,Longwan Distric,Wenzhou City,Zhejiang Province,China
 Tel:0086-577-86998027 Fax:0086-577-86998037 Mobile:0086-18057736259

2-pc Flange Ball Valve

DIMENSIONS (DIN)

Size	A	B	D	E	C		PN10			PN16				PN25						PN40							
					F4	F5	F	H	K	T	G	M	N	F	H	K	T	G	M	N	F	H		T	G	M	N
1/2"	15	11	73	130	115	-	45	65	95	16	2	14	4	45	65	95	16	2	14	4	45	65	95	16	2	14	4
3/4"	20	11	76	130	120	-	58	75	105	18	2	14	4	58	75	105	18	2	14	4	58	75	105	18	2	14	4
1"	25	14	86	160	125	120	68	85	115	18	2	14	4	68	85	115	18	2	14	4	68	85	115	18	2	14	4
1-1/4"	32	14	91	160	130	140	78	100	140	18	2	18	4	78	100	140	18	2	18	4	78	100	140	18	2	18	4
1-1/2"	38	17	119	200	140	240	88	110	150	18	3	18	4	88	110	150	18	3	18	4	88	110	150	18	3	18	4
2"	50	17	127	200	150	250	102	125	165	18	3	18	4	102	125	165	20	3	18	4	102	125	165	20	3	18	4
2-1/2"	65	17	136	200	170	270	122	145	185	18	3	18	4	122	145	185	22	3	18	8	122	145	185	22	3	18	8
3"	76	22	164	325	180	280	138	160	200	20	3	18	8	138	160	200	24	3	18	8	138	160	200	24	3	18	8
4"	94	22	178	325	190	300	158	180	220	20	3	18	8	162	190	235	24	3	22	8	162	190	235	24	3	22	8

Remark: Above dimensions are in millimeters

Wenzhou Huiyi Valve Technology Co.,Ltd

Add:No.2158,Binhai 1st Road,Economic and Technical Development Zone,Longwan Distric,Wenzhou City,Zhejiang Province,China

Tel:0086-577-86998027

Fax:0086-577-86998037

Mobile:0086-18057736259

Email: sales@huiyivalve.com

info@huiyivalve.com

Skype: angelzhang880108 , huiyivalve

Wechat: huiyivalve

Websit: <http://www.huiyivalve.com>

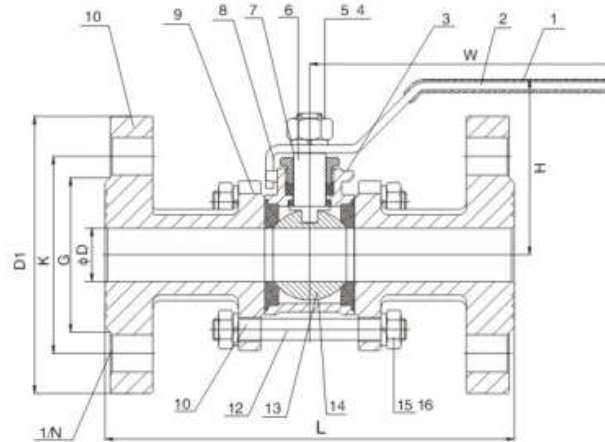
Website in Alibaba: www.huiyivalve.en.alibaba.com Website in Made in China: <http://www.huiyivalve.en.made-in-china.com/>



Wenzhou Huiyi Valve Technology Co.,Ltd

Add:No.2158,Binhai 1st Road,Economic and Technical Development Zone,Longwan Distric,Wenzhou City,Zhejiang Province,China
Tel:0086-577-86998027 Fax:0086-577-86998037 Mobile:0086-18057736259

3-pc Flange Ball Valve



- **Model:** Q41F-3pc
- **Specification:** 1/2" – 4"
- **Design :** According to ANSI B16.34
- **Inspection and Test :** API 598
- **Manufacture Type :** Casting
- **Structure Length:** According to GB/T 15188.3-94
- **Working Pressure:** ANSI 150LB
- **Temperature Range:** -20 degree C to 232 degree C (-80 degree F to 450 degree F)
- **Applicable Medium :** WOG, nitric acid , acetic acid

Wenzhou Huiyi Valve Technology Co.,Ltd

Add:No.2158,Binhai 1st Road,Economic and Technical Development Zone,Longwan Distric,Wenzhou City,Zhejiang Province,China
Tel:0086-577-86998027 Fax:0086-577-86998037 Mobile:0086-18057736259

Email: sales@huiyivalve.com info@huiyivalve.com

Skype: angelzhang880108 , huiyivalve Wechat: huiyivalve Websit: <http://www.huiyivalve.com>

Website in Alibaba: www.huiyivalve.en.alibaba.com Website in Made in China: <https://huiyivalve.en.made-in-china.com/>



Wenzhou Huiyi Valve Technology Co.,Ltd

Add:No.2158,Binhai 1st Road,Economic and Technical Development Zone,Longwan Distric,Wenzhou City,Zhejiang Province,China
Tel:0086-577-86998027 Fax:0086-577-86998037 Mobile:0086-18057736259

3-pc Flange Ball Valve

- Connection Type: flange end
- Material: ASTM A351 CF8M(316),ASTM A351 CF8(304), ASTM A216 WCB, DIN0.4308, DIN1.4408

DIMENSIONS

Size	∅ D(mm)	H(mm)	W(mm)	L(ANSI) (mm)
1/2"	15	79	160	108
3/4"	20	84	160	117
1"	25	100	185	127
1-1/4"	32	105	185	140
1-1/2"	40	115	220	165
2"	50	124	220	178
2-1/2"	65	165	305	190
3"	80	177	305	203
4"	94	203	330	229

Wenzhou Huiyi Valve Technology Co.,Ltd

Add:No.2158,Binhai 1st Road,Economic and Technical Development Zone,Longwan Distric,Wenzhou City,Zhejiang Province,China
Tel:0086-577-86998027 Fax:0086-577-86998037 Mobile:0086-18057736259

Email: sales@huiyivalve.com info@huiyivalve.com

Skype: angelzhang880108 , huiyivalve Wechat: huiyivalve Websit: <http://www.huiyivalve.com>

Website in Alibaba: www.huiyivalve.en.alibaba.com Website in Made in China: <https://huiyivalve.en.made-in-china.com/>



Wenzhou Huiyi Valve Technology Co.,Ltd

Add:No.2158,Binhai 1st Road,Economic and Technical Development Zone,Longwan Distric,Wenzhou City,Zhejiang Province,China
Tel:0086-577-86998027 Fax:0086-577-86998037 Mobile:0086-18057736259

3-pc Flange Ball Valve

MAIN PARTS

No.	Part Name	Material
1	Handle Cover	Plastic
2	Handle	304
3	Gland Nut	304
4	Stem Nut	304
5	Thrust Washer	304
6	Stem	316/304
7	Stem Packing	PTFE
8	Stem Seal	PTFE
9	Body Seal	PTFE
10	End Cap	CF8/CF8M
11	Ball Seat	PTFE
12	Bolt	304
13	Ball	CF8/CF8M
14	Body	CF8/CF8M
15	Nut	304

Wenzhou Huiyi Valve Technology Co.,Ltd

Add:No.2158,Binhai 1st Road,Economic and Technical Development Zone,Longwan Distric,Wenzhou City,Zhejiang Province,China

Tel:0086-577-86998027

Fax:0086-577-86998037

Mobile:0086-18057736259

Email: sales@huiyivalve.com

info@huiyivalve.com

Skype: angelzhang880108 , huiyivalve

Wechat: huiyivalve

Website: <http://www.huiyivalve.com>

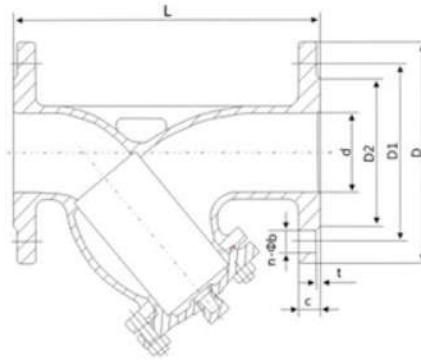
Website in Alibaba: www.huiyivalve.en.alibaba.com Website in Made in China: <https://huiyivalve.en.made-in-china.com/>



Wenzhou Huiyi Valve Technology Co.,Ltd

Add:No.2158,Binhai 1st Road,Economic and Technical Development Zone,Longwan Distric,Wenzhou City,Zhejiang Province,China
Tel:0086-577-86998027 Fax:0086-577-86998037 Mobile:0086-18057736259

Y-Strainer , Flange End



- **Model:** GL41W-16
- **Specification:** DN15-DN200
- **Design :** GB/T12235
- **Inspection and Test :** JB/T9002
- **Manufacture Type :** Casting
- **Structure Length:** GB/T12221
- **Working Pressure:** PN16 , PN25
- **Temperature Range:** -29 degree C to 180 degree C
- **Applicable Medium :** WOG, nitric acid , acetic acid
- **Connection Type:** flange
- **Material:** SS304 , SS316 , WCB

Wenzhou Huiyi Valve Technology Co.,Ltd

Add:No.2158,Binhai 1st Road,Economic and Technical Development Zone,Longwan Distric,Wenzhou City,Zhejiang Province,China
Tel:0086-577-86998027 Fax:0086-577-86998037 Mobile:0086-18057736259

Email: sales@huiyivalve.com info@huiyivalve.com

Skype: angelzhang880108 , huiyivalve Wechat: huiyivalve Websit: <http://www.huiyivalve.com>

Website in Alibaba: www.huiyivalve.en.alibaba.com Website in Made in China: <https://huiyivalve.en.made-in-china.com/>



Wenzhou Huiyi Valve Technology Co.,Ltd

Add:No.2158,Binhai 1st Road,Economic and Technical Development Zone,Longwan Distric,Wenzhou City,Zhejiang Province,China
Tel:0086-577-86998027 Fax:0086-577-86998037 Mobile:0086-18057736259

Y-Strainer , Flange End

DIMENSIONS

PN16								
Size	d	D	D1	D2	t	C	n- ϕ b	L
DN15	15	95	65	45	2	14	4- ϕ 14	130
DN20	20	105	75	55	2	14	4- ϕ 14	140
DN25	25	115	85	65	2	14	4- ϕ 14	150
DN32	32	140	100	78	2	16	4- ϕ 18	170
DN40	38	150	110	85	3	16	4- ϕ 18	200
DN50	50	165	125	100	3	16	4- ϕ 18	220
DN65	64	185	145	120	3	18	4- ϕ 18	252
DN80	76	200	160	135	3	20	8- ϕ 18	280
DN100	100	220	180	155	3	20	8- ϕ 18	320
DN125	125	250	210	185	3	22	8- ϕ 18	350
DN150	150	285	240	210	3	24	8- ϕ 23	400
DN200	200	340	295	265	3	26	12- ϕ 23	480

MAIN PARTS

No.	Part Name	Material
1	Body	SS304,SS316,WCB
2	Bonnet	SS304,SS316,WCB
3	Mesh	SS304,SS316
4	Gasket	PTFE,SS304,SS316,GRAPHITE

Wenzhou Huiyi Valve Technology Co.,Ltd

Add:No.2158,Binhai 1st Road,Economic and Technical Development Zone,Longwan Distric,Wenzhou City,Zhejiang Province,China
Tel:0086-577-86998027 Fax:0086-577-86998037 Mobile:0086-18057736259

Email: sales@huiyivalve.com info@huiyivalve.com

Skype: angelzhang880108 , huiyivalve Wechat: huiyivalve Websit: <http://www.huiyivalve.com>

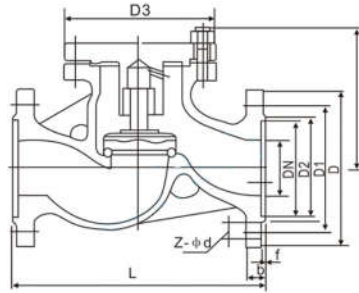
Website in Alibaba: www.huiyivalve.en.alibaba.com Website in Made in China: <https://huiyivalve.en.made-in-china.com/>



Wenzhou Huiyi Valve Technology Co.,Ltd

Add:No.2158,Binhai 1st Road,Economic and Technical Development Zone,Longwan Distric,Wenzhou City,Zhejiang Province,China
Tel:0086-577-86998027 Fax:0086-577-86998037 Mobile:0086-18057736259

Swing Check Valve , Flange End



- Model: H41H
- Specification: DN15-DN200
- Design : GB/T12235
- Inspection and Test : JB/T9002
- Manufacture Type : Casting
- Structure Length: GB/T12221
- Working Pressure: PN16 , PN25
- Temperature Range: -29 degree C to 180 degree C
- Applicable Medium : WOG, nitric acid , acetic acid
- Connection Type: flange
- Material: SS304 , SS316 , WCB

Wenzhou Huiyi Valve Technology Co.,Ltd

Add:No.2158,Binhai 1st Road,Economic and Technical Development Zone,Longwan Distric,Wenzhou City,Zhejiang Province,China
Tel:0086-577-86998027 Fax:0086-577-86998037 Mobile:0086-18057736259

Email: sales@huiyivalve.com info@huiyivalve.com

Skype: angelzhang880108 , huiyivalve Wechat: huiyivalve Websit: <http://www.huiyivalve.com>

Website in Alibaba: www.huiyivalve.en.alibaba.com Website in Made in China: <http://huiyivalve.en.made-in-china.com/>



Wenzhou Huiyi Valve Technology Co.,Ltd

Add:No.2158,Binhai 1st Road,Economic and Technical Development Zone,Longwan Distric,Wenzhou City,Zhejiang Province,China
Tel:0086-577-86998027 Fax:0086-577-86998037 Mobile:0086-18057736259

Swing Check Valve , Flange End

DIMENSIONS

PN	DN	Main Dimensions(MM)						
		L	D	D1	D2	b	z-φd	H
1.6Mpa	15	130	95	65	45	14	4-14	77
	20	150	105	75	55	14	4-14	77
	25	160	115	85	65	14	4-14	80
	32	180	135	100	78	16	4-18	85
	40	200	145	110	85	16	4-18	95
	50	230	160	125	100	16	4-18	115
	65	290	180	145	120	18	4-18	140
	80	310	195	160	135	20	8-18	170
	100	350	215	180	155	20	8-18	200
	125	400	245	210	185	22	8-18	230
	150	480	280	240	210	24	8-23	255
200	600	340	295	265	34	12-23	285	

MAIN PARTS

No.	Part Name	Material
1	Body	SS304,SS316,WCB
2	Bonnet	SS304,SS316,WCB
3	Disc	SS304,SS316,Stellite
4	Seat	SS304,SS316,Stellite

Wenzhou Huiyi Valve Technology Co.,Ltd

Add:No.2158,Binhai 1st Road,Economic and Technical Development Zone,Longwan Distric,Wenzhou City,Zhejiang Province,China

Tel:0086-577-86998027

Fax:0086-577-86998037

Mobile:0086-18057736259

Email: sales@huiyivalve.com

info@huiyivalve.com

Skype: angelzhang880108 , huiyivalve

Wechat: huiyivalve

Website: <http://www.huiyivalve.com>

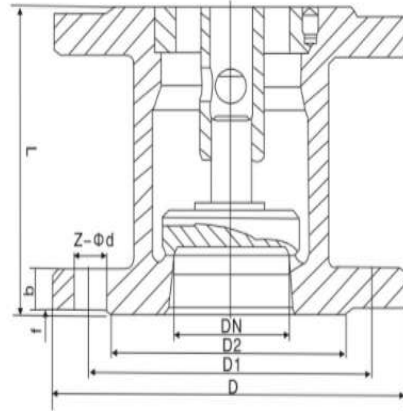
Website in Alibaba: www.huiyivalve.en.alibaba.com Website in Made in China: <https://huiyivalve.en.made-in-china.com/>



Wenzhou Huiyi Valve Technology Co.,Ltd

Add:No.2158,Binhai 1st Road,Economic and Technical Development Zone,Longwan Distric,Wenzhou City,Zhejiang Province,China
Tel:0086-577-86998027 Fax:0086-577-86998037 Mobile:0086-18057736259

Lift Check Valve , Flange End



- Model: H44H
- Specification: DN15-DN200
- Design : GB/T12235
- Inspection and Test : JB/T9002
- Manufacture Type : Casting
- Structure Length: GB/T12221
- Working Pressure: PN16 , PN25
- Temperature Range: -29 degree C to 180 degree C
- Applicable Medium : WOG, nitric acid , acetic acid
- Connection Type: flange
- Material: SS304 , SS316 , WCB

Wenzhou Huiyi Valve Technology Co.,Ltd

Add:No.2158,Binhai 1st Road,Economic and Technical Development Zone,Longwan Distric,Wenzhou City,Zhejiang Province,China
Tel:0086-577-86998027 Fax:0086-577-86998037 Mobile:0086-18057736259

Email: sales@huiyivalve.com info@huiyivalve.com

Skype: angelzhang880108 , huiyivalve Wechat: huiyivalve Websit: <http://www.huiyivalve.com>

Website in Alibaba: www.huiyivalve.en.alibaba.com Website in Made in China: www.huiyivalve.en.made-in-china.com/



Wenzhou Huiyi Valve Technology Co.,Ltd

Add:No.2158,Binhai 1st Road,Economic and Technical Development Zone,Longwan Distric,Wenzhou City,Zhejiang Province,China
Tel:0086-577-86998027 Fax:0086-577-86998037 Mobile:0086-18057736259

Lift Check Valve , Flange End

DIMENSIONS

PN	DN	Main Dimensions(MM)					
		L	D	D1	D2	b-f	z-φ d
1.6Mpa	15	85	95	65	45	14-2	4-φ 14
	20	95	105	75	55	14-2	4-φ 14
	25	105	115	85	65	14-2	4-φ 14
	32	150	135	100	78	16-2	4-φ 18
	40	160	145	110	85	16-3	4-φ 18
	50	170	160	125	100	16-3	4-φ 18
	65	180	180	145	120	18-3	8-φ 18
	80	200	195	160	135	20-3	8-φ 18
	100	210	215	180	155	20-3	8-φ 18
	125	275	245	210	185	22-3	8-φ 18
	150	300	280	240	210	24-3	8-φ 23
	200	380	335	295	265	26-3	12-φ 23

MAIN PARTS

No.	Part Name	Material
1	Body	SS304,SS316,WCB
2	Bonnet	SS304,SS316,WCB
3	Disc	SS304,SS316,Stellite
4	Seat	SS304,SS316,Stellite

Wenzhou Huiyi Valve Technology Co.,Ltd

Add:No.2158,Binhai 1st Road,Economic and Technical Development Zone,Longwan Distric,Wenzhou City,Zhejiang Province,China

Tel:0086-577-86998027

Fax:0086-577-86998037

Mobile:0086-18057736259

Email: sales@huiyivalve.com

info@huiyivalve.com

Skype: angelzhang880108 , huiyivalve

Wechat: huiyivalve

Website: <http://www.huiyivalve.com>

Website in Alibaba: www.huiyivalve.en.alibaba.com Website in Made in China: <https://huiyivalve.en.made-in-china.com/>



Wenzhou Huiyi Valve Technology Co.,Ltd

Add:No.2158,Binhai 1st Road,Economic and Technical Development Zone,Longwan Distric,Wenzhou City,Zhejiang Province,China
Tel:0086-577-86998027 Fax:0086-577-86998037 Mobile:0086-18057736259

Wenzhou Huiyi Valve Technology Co.,Ltd

Add:No.2158,Binhai 1st Road,Economic and Technical Development Zone,Longwan Distric,Wenzhou City,Zhejiang Province,China

Tel:0086-577-86998027

Fax:0086-577-86998037

Mobile:0086-18057736259

Email: sales@huiyivalve.com

info@huiyivalve.com

Skype: angelzhang880108 , huiyivalve

Wechat: huiyivalve

Websit: <http://www.huiyivalve.com>

Website in Alibaba: www.huiyivalve.en.alibaba.com Website in Made in China: <https://huiyivalve.en.made-in-china.com/>

