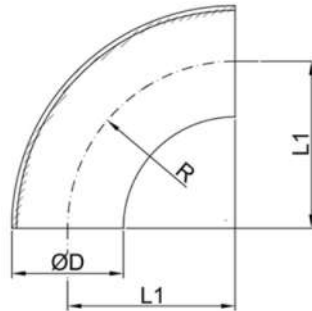




Wenzhou Huiyi Valve Technology Co.,Ltd

ADD:No.2158,Binhai 1st Road,Economic and Technical Development Zone,Longwan District,Wenzhou City,Zhejiang Province,China. Zip Code: 325025 Email: sales@huiyivalve.com
Tel: 0086-577-86998027 Fax: 0086-577-86998037 Mobile: 0086-18057736259

90 DEGREE SANITARY WELD ELBOW



DIMENSION TABLE

SIZE(MM)	D(MM)	L1(MM)	R(MM)	THICKNESS(MM)
19	19	28.5	28.5	1.5
25	25	33.5	33.5	1.5
32	32	38	38	1.5
38	38	48	48	1.5
45	45	57.5	57.5	1.5
51	51	61.5	61.5	1.5
57	57	68.5	68.5	2
63	63	78.5	78.5	2
76	76	91	91	2
89	89	101.5	101.5	2
102	102	124	124	2
108	108	131	131	2
114	114	147	147	2
133	133	169.5	169.5	2
159	159	189.5	189.5	3
219	219	260.5	260.5	3

FEATURE

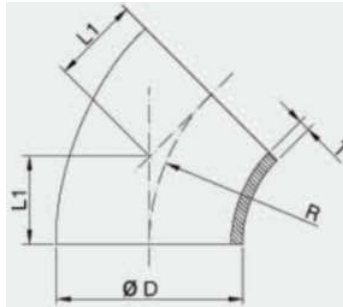
- MODEL NO.: HY-SSWE90
- MATERIAL: SS304, SS316
- SIZE: 19MM-219MM
- WALL THICKNESS: 1MM-3MM
- CONNECTION: WELD
- MANUFACTURING METHOD: MOLD PRESS



Wenzhou Huiyi Valve Technology Co.,Ltd

ADD:No.2158,Binhai 1st Road,Economic and Technical Development Zone,Longwan District,Wenzhou City,Zhejiang Province,China. Zip Code: 325025 Email: sales@huiyivalve.com
Tel: 0086-577-86998027 Fax: 0086-577-86998037 Mobile: 0086-18057736259

45 DEGREE SANITARY WELD ELBOW



DIMENSION TABLE

SIZE(INCH)	D(MM)	L1(MM)	R(MM)
1"	25.4	13.9	33.5
1-1/4"	31.8	15.7	38
1-1/2"	38.1	20.1	48.5
2"	50.8	25.1	60.5
2-1/2"	63.5	34.6	76.2
3"	76.2	36.7	88.5
3-1/2"	89	42.9	103.5
4"	101.6	50.8	122

FEATURE

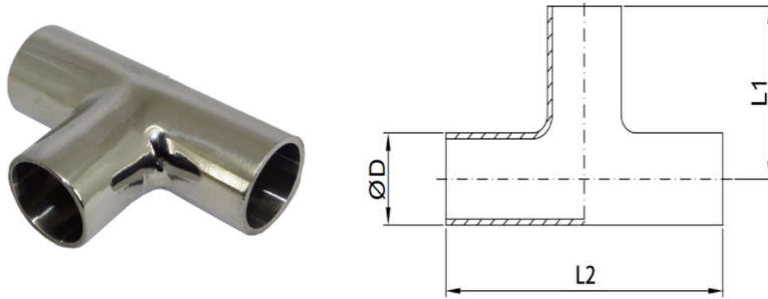
- MODEL NO.: HY-SSWE45
- MATERIAL: SS304, SS316
- SIZE: 25.4MM-101.6MM
- WALL THICKNESS: 1MM-2MM
- CONNECTION: WELD
- MANUFACTURING METHOD: MOLD PRESS



Wenzhou Huiyi Valve Technology Co.,Ltd

ADD:No.2158,Binhai 1st Road,Economic and Technical Development Zone,Longwan District,Wenzhou City,Zhejiang Province,China. Zip Code: 325025 Email: sales@huiyivalve.com
Tel: 0086-577-86998027 Fax: 0086-577-86998037 Mobile: 0086-18057736259

SANITARY WELD TEE



DIMENSION TABLE

SIZE(MM)	D(MM)	L1(MM)	L2(MM)	THICKNESS(MM)
19	19	29.5	57	1.5
25	25	33.5	67	1.5
32	32	38	76	1.5
38	38	49	97	1.5
45	45	57.5	116	1.5
51	51	60.5	121	1.5
57	57	64.5	128	2
63	63	65	130	2
76	76	75	150	2
89	89	85.5	170	2
102	102	94	188	2
108	108	99	200	2
114	114	103	205	2
133	133	123.5	245	2
159	159	147.5	298	3
219	219	178.5	357	3

FEATURE

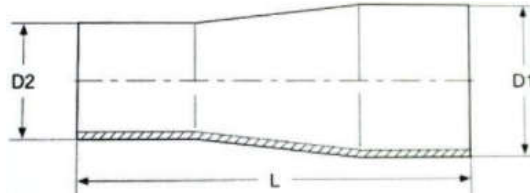
- MODEL NO.: HY-SSWT
- MATERIAL: SS304, SS316
- SIZE: 25.4MM-101.6MM
- WALL THICKNESS: 1MM-2MM
- CONNECTION: WELD
- MANUFACTURING METHOD: MOLD PRESS



Wenzhou Huiyi Valve Technology Co.,Ltd

ADD:No.2158,Binhai 1st Road,Economic and Technical Development Zone,Longwan District,Wenzhou City,Zhejiang Province,China. Zip Code: 325025 Email: sales@huiyivalve.com
Tel: 0086-577-86998027 Fax: 0086-577-86998037 Mobile: 0086-18057736259

SANITARY WELD REDUCER



DIMENSION TABLE

SIZE(MM)	D1(MM)	D2(MM)	L(MM)
38*19	38	19	50
38*25	38	25	50
38*32	38	32	50
45*19	45	19	32
45*25	45	25	55
45*32	45	32	55
45*38	45	38	58
51*19	51	19	60
51*25	51	25	63
51*32	51	32	62
51*45	54	45	58
57*19	57	19	68
57*32	57	32	68
57*38	57	38	62
57*45	57	45	57
57*51	57	51	59
63*38	63	38	69
63*51	63	51	69

FEATURE

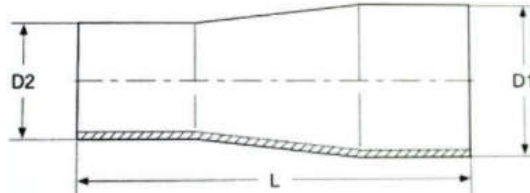
- MODEL NO.: HY-SSWR
- MATERIAL: SS304, SS316
- SIZE: 38MM-159MM
- WALL THICKNESS: 1MM-2MM
- CONNECTION: WELD
- MANUFACTURING METHOD: MOLD PRESS



Wenzhou Huiyi Valve Technology Co.,Ltd

ADD:No.2158,Binhai 1st Road,Economic and Technical Development Zone,Longwan District,Wenzhou City,Zhejiang Province,China. Zip Code: 325025 Email: sales@huiyivalve.com
Tel: 0086-577-86998027 Fax: 0086-577-86998037 Mobile: 0086-18057736259

SANITARY WELD REDUCER



DIMENSION TABLE

SIZE(MM)	D1(MM)	D2(MM)	L(MM)
76*32	76	32	69
76*51	76	51	69
89*51	89	51	84
89*57	89	57	82
89*63	89	63	77
89*76	89	76	75
102*51	102	51	90
102*63	102	63	90
102*76	102	76	90
102*89	102	89	89
108*45	108	45	87
108*51	108	51	87
108*57	108	57	87
108*63	108	63	87
108*76	108	76	86
108*89	1080	89	93
133*108	133	108	106
159*89	159	89	123
159*76	159	76	125

FEATURE

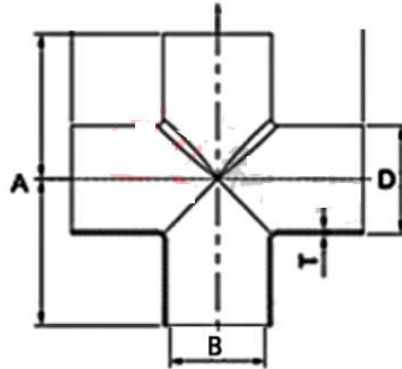
- MODEL NO.: HY-SSWR
- MATERIAL: SS304, SS316
- SIZE: 38MM-159MM
- WALL THICKNESS: 1MM-2MM
- CONNECTION: WELD
- MANUFACTURING METHOD: MOLD PRESS



Wenzhou Huiyi Valve Technology Co.,Ltd

ADD:No.2158,Binhai 1st Road,Economic and Technical Development Zone,Longwan District,Wenzhou City,Zhejiang Province,China. Zip Code: 325025 Email: sales@huiyivalve.com
Tel: 0086-577-86998027 Fax: 0086-577-86998037 Mobile: 0086-18057736259

SANITARY WELD CROSS



DIMENSION TABLE

SIZE(MM)	A(MM)	D(MM)	B(MM)	T(MM)
19	57	19	16	1.5
25	66	25	22	1.5
32	76	32	29	1.5
38	97	38	34	2
38	97	38	35	1.5
45	115	45	42	1.5
51	121	51	47	1.5
57	128	57	53	2
63	130	64	60	2
76	150	77	73	2
89	170	88	85	2

FEATURE

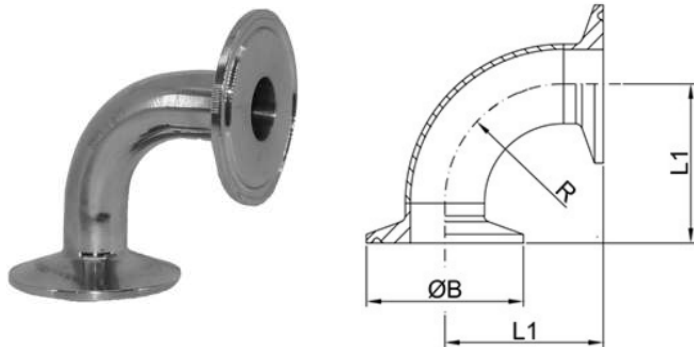
- MODEL NO.: HY-SSWCR
- MATERIAL: SS304, SS316
- SIZE: 19MM-89MM
- WALL THICKNESS: 1MM-2MM
- CONNECTION: WELD
- MANUFACTURING METHOD: MOLD PRESS



Wenzhou Huiyi Valve Technology Co.,Ltd

ADD: No.2158, Binhai 1st Road, Economic and Technical Development Zone, Longwan District, Wenzhou City, Zhejiang Province, China. Zip Code: 325025 Email: sales@huiyivalve.com
 Tel: 0086-577-86998027 Fax: 0086-577-86998037 Mobile: 0086-18057736259

SANITARY TRI-CLAMP 90 DEGREE ELBOW



DIMENSION TABLE

SIZE(MM)	PIPE OD(MM)	B(MM)	L1(MM)	R(MM)	THICKNESS(MM)
19	19	50.5	49.75	28.5	1.5
25	25	50.5	54.75	33.5	1.5
32	32	50.5	58.75	38	1.5
38	38	50.5	69.75	48	1.5
45	45	64	79	57.5	1.5
51	51	64	81	61.5	1.5
57	57	77.5	88.25	68.5	2
63	63	77.5	99.25	78.5	2
76	76	91	112.5	91	2
89	89	106	122	101.5	2
102	102	119	146.5	124	2

FEATURE

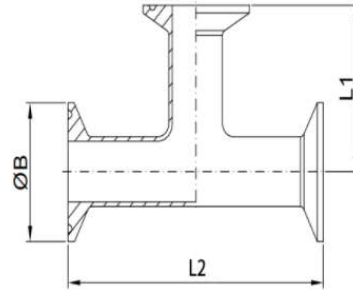
- MODEL NO.: HY-SETC90
- MATERIAL: SS304, SS316
- SIZE: 19MM-102MM
- WALL THICKNESS: 1MM-2MM
- CONNECTION: TRI-CLAMP
- MANUFACTURING METHOD: MOLD PRESS



Wenzhou Huiyi Valve Technology Co.,Ltd

ADD:No.2158,Binhai 1st Road,Economic and Technical Development Zone,Longwan District,Wenzhou City,Zhejiang Province,China. Zip Code: 325025 Email: sales@huiyivalve.com
Tel: 0086-577-86998027 Fax: 0086-577-86998037 Mobile: 0086-18057736259

SANITARY TRI-CLAMP TEE



DIMENSION TABLE

SIZE(MM)	PIPE OD(MM)	D(MM)	L1(MM)	L2(MM)	THICKNESS(MM)
19	19	50.5	49.75	100	1.5
25	25	50.5	54.75	109	1.5
32	32	50.5	58.75	118	1.5
38	38	50.5	69.75	140	1.5
45	45	64	78	157	1.5
51	51	64	82	164	1.5
57	57	77.5	86.25	172	2
63	63	77.5	86.25	173	2
76	76	91	96.5	192	2
89	89	106	107	213	2
102	102	119	116.5	233	2

FEATURE

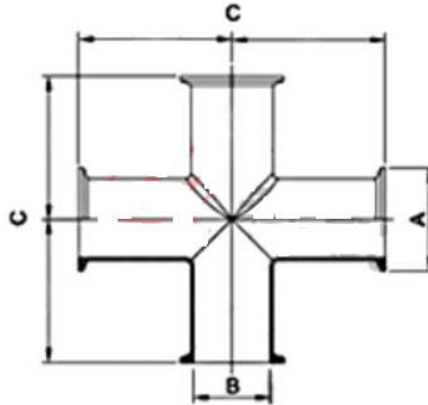
- MODEL NO.: HY-STTC
- MATERIAL: SS304, SS316
- SIZE: 19MM-102MM
- WALL THICKNESS: 1MM-2MM
- CONNECTION: TRI-CLAMP
- MANUFACTURING METHOD: MOLD PRESS



Wenzhou Huiyi Valve Technology Co.,Ltd

ADD:No.2158,Binhai 1st Road,Economic and Technical Development Zone,Longwan District,Wenzhou City,Zhejiang Province,China. Zip Code: 325025 Email: sales@huiyivalve.com
Tel: 0086-577-86998027 Fax: 0086-577-86998037 Mobile: 0086-18057736259

SANITARY TRI-CLAMP CROSS



DIMENSION TABLE

SIZE(MM)	A(MM)	B(MM)	C(MM)
19	50.5	16	100
25	50.5	22	108
32	50.5	29	118
38	50.5	35	138
45	64	42	158
51	64	47	163
57	77.5	53	170
63	77.5	59	172
76	91	72	192
89	106	85	211

FEATURE

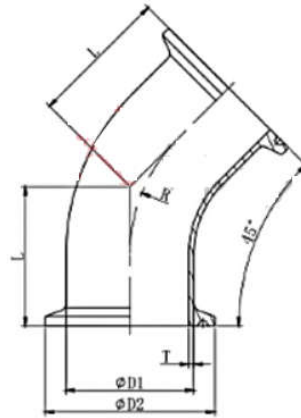
- MODEL NO.: HY-SCTC
- MATERIAL: SS304, SS316
- SIZE: 19MM-89MM
- WALL THICKNESS: 1MM-2MM
- CONNECTION: TRI-CLAMP
- MANUFACTURING METHOD: MOLD PRESS



Wenzhou Huiyi Valve Technology Co.,Ltd

ADD:No.2158,Binhai 1st Road,Economic and Technical Development Zone,Longwan District,Wenzhou City,Zhejiang Province,China. Zip Code: 325025 Email: sales@huiyivalve.com
Tel: 0086-577-86998027 Fax: 0086-577-86998037 Mobile: 0086-18057736259

SANITARY TRI-CLAMP 45 DEGREE ELBOW



DIMENSION TABLE

PIPE OD(MM)	D2(MM)	D1(MM)	THICKNESS(MM)
12.7	25	10	1.5
12.7	34	10	1.5
12.7	50.5	10	1.5
16	34	13	1.5
16	50.5	13	1.5
19	50.5	16	1.5
25	50.5	22	1.5
32	50.5	29	1.5
38	50.5	35	1.5
45	64	42	1.5
51	64	48	1.5
57	77.8	53	2
63	77.5	59	2
76	91	72	2
89	105	85	2

FEATURE

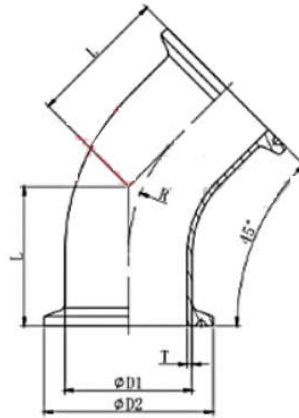
- MODEL NO.: HY-SETC45
- MATERIAL: SS304, SS316
- SIZE: 12.7MM-219MM
- WALL THICKNESS: 1MM-2MM
- CONNECTION: TRI-CLAMP
- MANUFACTURING METHOD: MOLD PRESS



Wenzhou Huiyi Valve Technology Co.,Ltd

ADD:No.2158,Binhai 1st Road,Economic and Technical Development Zone,Longwan District,Wenzhou City,Zhejiang Province,China. Zip Code: 325025 Email: sales@huiyivalve.com
Tel: 0086-577-86998027 Fax: 0086-577-86998037 Mobile: 0086-18057736259

SANITARY TRI-CLAMP 45 DEGREE ELBOW



DIMENSION TABLE

PIPE OD(MM)	D2(MM)	D1(MM)	THICKNESS(MM)
102	119	98	2
108	119	104	2
114	130	110	2
129	145	125	2
133	145	129	2
159	50.5180	155	2
219	235	215	2

FEATURE

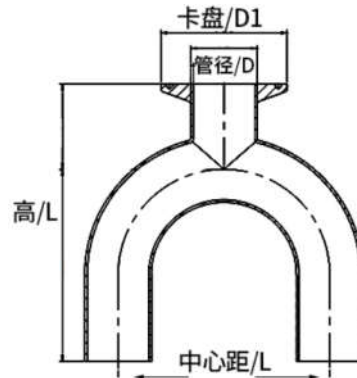
- MODEL NO.: HY-SETC45
- MATERIAL: SS304, SS316
- SIZE: 12.7MM-219MM
- WALL THICKNESS: 1MM-2MM
- CONNECTION: TRI-CLAMP
- MANUFACTURING METHOD: MOLD PRESS



Wenzhou Huiyi Valve Technology Co.,Ltd

ADD:No.2158,Binhai 1st Road,Economic and Technical Development Zone,Longwan District,Wenzhou City,Zhejiang Province,China. Zip Code: 325025 Email: sales@huiyivalve.com
Tel: 0086-577-86998027 Fax: 0086-577-86998037 Mobile: 0086-18057736259

SANITARY U TYPE WELD TEE



DIMENSION TABLE(MM)

管径/D	卡盘/D1	高/H	中心距/L
Φ 19	50.5	116	105
Φ 25	50.5	120	120
Φ 32	50.5	150	158
Φ 38	50.5	154	160
Φ 45	64	163	170
Φ 51	64	172	180
Φ 57	77.5		185
Φ 63	77.5		195
Φ 76	91		230

FEATURE

- MODEL NO.: HY-SSWT-U
- MATERIAL: SS304, SS316
- SIZE: 19MM-76MM
- WALL THICKNESS: 1MM-2MM
- CONNECTION: TRI-CLAMP
- MANUFACTURING METHOD: MOLD PRESS



Wenzhou Huiyi Valve Technology Co.,Ltd

ADD:No.2158,Binhai 1st Road,Economic and Technical Development Zone,Longwan District,Wenzhou City,Zhejiang Province,China. Zip Code: 325025 Email: sales@huiyivalve.com
Tel: 0086-577-86998027 Fax: 0086-577-86998037 Mobile: 0086-18057736259

SANITARY Y TYPE WELD TEE



DIMENSION TABLE

SIZE(MM)	D(MM)	A(MM)
19	19	55
25	25	55
32	32	55
38	38	65
45	45	65
51	51	65
57	57	70
63	63	80
76	76	90

FEATURE

- MODEL NO.: HY-SSWT-Y
- MATERIAL: SS304, SS316
- SIZE: 19MM-76MM
- WALL THICKNESS: 1MM-2MM
- CONNECTION: TRI-CLAMP
- MANUFACTURING METHOD: MOLD PRESS



Wenzhou Huiyi Valve Technology Co.,Ltd

ADD:No.2158,Binhai 1st Road,Economic and Technical Development Zone,Longwan District,Wenzhou City,Zhejiang Province,China. Zip Code: 325025 Email: sales@huiyivalve.com
Tel: 0086-577-86998027 Fax: 0086-577-86998037 Mobile: 0086-18057736259

SANITARY TRI CLAMP FERRULE



DIMENSION TABLE

A(MM)	B(MM)	H(MM)	S(MM)
25.4	10	21.5	1.5
25.4	19	21.5	1.5
34	10	21.5	1.5
34	16	21.5	1.5
34	19	21.5	1.5
40	19	21.5	1.5
40	25	21.5	1.5
40	32	21.5	1.5
50.5	19	21.5	1.5
50.5	22	21.5	1.5
50.5	25	21.5	1.5
50.5	28	21.5	1.5
50.5	32	21.5	1.5
50.5	34	21.5	1.5
50.5	38	21.5	1.5
50.5	40	21.5	1.5
50.5	42	21.5	1.5
64	45	21.5	1.5
64	48	21.5	1.5
64	51	21.5	1.5
77.5	57	21.5	2
77.5	60	21.5	2
77.5	63	21.5	2



Wenzhou Huiyi Valve Technology Co., Ltd
ADD: No.2158, Binhai 1st Road, Economic and Technical Development Zone, Longwan District, Wenzhou
City, Zhejiang Province, China. Zip Code: 325025 Email: sales@huiyivalve.com
Tel: 0086-577-86998027 Fax: 0086-577-86998037 Mobile: 0086-18057736259

SANITARY TRI CLAMP FERRULE



DIMENSION TABLE

A(MM)	B(MM)	H(MM)	S(MM)
91	70	21.5	2
91	76	21.5	2
106	85	21.5	2
106	89	21.5	2
119	102	21.5	2
119	104	21.5	2
119	108	21.5	2
130	114	21.5	2
145	133	21.5	2.5
183	152	21.5	2.5
183	159	21.5	3
217	204	21.5	3
233	219	21.5	3
268	254	21.5	3
286	273	21.5	3
319	305	21.5	3
350	325	23	4.5
380	356	23	4.5
400	377	23	4.5
425	406	23	4.5
450	425	23	4.5
480	456	23	4.5
530	506	23	4.5

FEATURE

- MODEL NO.: HY-STCF
- MATERIAL: SS304, SS316
- SIZE: 25.4MM-530MM
- WALL THICKNESS: 1MM-2MM
- CONNECTION: TRI-CLAMP
- MANUFACTURING METHOD: MOLD PRESS