

Wenzhou Huiyi Valve Technology Co.,Ltd

Add:No.2158,Binhai 1st Road,Economic and Technical Development Zone,Longwan Distric,
Wenzhou City,Zhejiang Province,China

Tel:0086-577-86998027

Fax:0086-577-86998037

Mobile:0086-18057736259

Wenzhou Huiyi Valve Technology Co.,Ltd is an exporter in Wenzhou City,Zhejiang Province,China.We have three factories in Wenzhou,which mainly produce tube fittings and valves,and we have been in this field for over 20 years,now there are 85 workers in our company,there are 5 engineers which have rich experience and have been in this field for many years,we have our own development team and research team,most of our products are designed by ourselves,and some of them are designed as per customers' requirements.Our products have been exported to many countries.

Main products:

Tube fittings:compression tube fittings,double ferrules tube fittings,hydraulic connector,pneumatic connector,forging steel tube fittings,casting steel tube fittings.The tube fittings can be made of different materials.

Valves:needle valve,ball valve,gate valve,check valve,globe valve,gauge valve,instrumentation valve,butterfly valve, valve manifold.The size is from DN6 to DN1200,the working pressure is 0-10000PSI,the working temperature is -180 degree to 580 degree,our valves could be made of stainless steel,carbon steel,brass,cast iron,alloy,duplex stainless steel,monel.The packing material are PTFE,graphite,NBR,EPDM,Viton,which can meet different customers' requirements.

If you are interested in our products,please feel free to contact us,we are looking forward to establishing a long term business relationship with you for our mutual benefits



Wenzhou Huiyi Valve Technology Co.,Ltd

Add:No.2158,Binhai 1st Road,Economic and Technical Development Zone,Longwan Distric,Wenzhou City,Zhejiang Province,China

Tel:0086-577-86998027

Fax:0086-577-86998037

Mobile:0086-18057736259

Email: sales@huiyivalve.com info@huiyivalve.com

Contact Person: Tony Zhang Skype: angelzhang880108 , huiyivalve Wechat: huiyivalve

Website: <http://www.huiyivalve.com> Website in Alibaba: <http://huiyivalve.en.alibaba.com>

Wenzhou Huiyi Valve Technology Co.,Ltd

Add:No.2158,Binhai 1st Road,Economic and Technical Development Zone,Longwan Distric,
Wenzhou City,Zhejiang Province,China

Tel:0086-577-86998027

Fax:0086-577-86998037

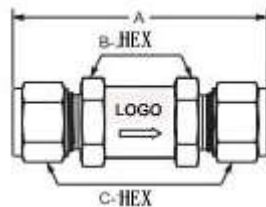
Mobile:0086-18057736259

CHECK VALVE MODEL NO.: HY-FTCV



Performance Sheet

- Working Pressure: max 6000 psig(413.7 bar)
- Working Temperature:-10 degree F to 375 degree F(-23 degree C to 190 degree C)
- Opening Pressure:0.05 to 1.7 bar(0.7 to 25 psig)
- Valve seat with elastic seal, no noise, good to non-return
- Material: SS316,brass and other specified material by customer
- Connection Style:ferrules,NPT thread,ISO/BSP thread
- Size:1/8" to 1",3mm to 25mm



Size Table

End connection		Ordering Number	Orifice (mm)	Size(mm)		
Inlet/outlet	Size			A	B	C
Inch tube	1/8"	HY-FTCV-1/8	2.4	56	16	12
	1/4"	HY-FTCV-1/4	4.8	60	16	14
	3/8"	HY-FTCV-3/8	7.0	84	22	19
Metric tube	3mm	HY-FTCV-3M	2.4	56	16	12
	6mm	HY-FTCV-6M	4.8	60	16	14
	10mm	HY-FTCV-10M	8.0	84	22	19

Ordering Number statement:

2 -- 1/8" 4 -- 1/4" 6 -- 3/8" 8 -- 1/2" 12 -- 3/4"

Wenzhou Huiyi Valve Technology Co.,Ltd

Add:No.2158,Binhai 1st Road,Economic and Technical Development Zone,Longwan Distric,Wenzhou City,Zhejiang Province,China

Tel:0086-577-86998027

Fax:0086-577-86998037

Mobile:0086-18057736259

Email: sales@huiyivalve.com info@huiyivalve.com

Contact Person: Tony Zhang Skype: angelzhang880108 , huiyivalve Wechat: huiyivalve

Website: <http://www.huiyivalve.com> Website in Alibaba: <http://huiyivalve.en.alibaba.com>

Wenzhou Huiyi Valve Technology Co.,Ltd

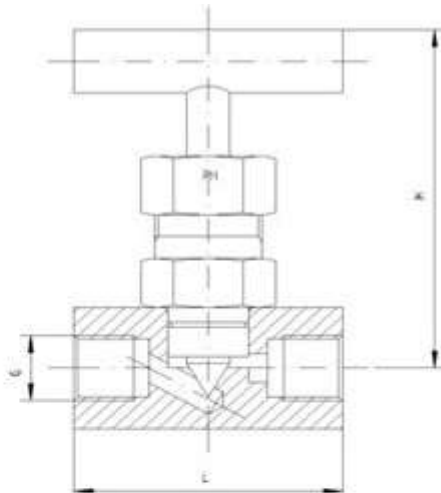
Add:No.2158,Binhai 1st Road,Economic and Technical Development Zone,Longwan Distric,
Wenzhou City,Zhejiang Province,China

Tel:0086-577-86998027

Fax:0086-577-86998037

Mobile:0086-18057736259

FEMALE THREAD NEEDLE VALVE, T HANDLE, MODEL NO.: HY-FTNV



型号 Model	压力 Pressure (bar)	G	H	L
HY-FTNV-G1/4	400	G1/4"	75	58
HY-FTNV-G3/8	400	G3/8"	75	58
HY-FTNV-G1/2	400	G1/2"	85	65
HY-FTNV-G3/4	400	G3/4"	90	70
HY-FTNV-G1	400	G1"	100	80
HY-FTNV-NPT1/4	400	1/4"NPT	75	58
HY-FTNV-NPT3/8	400	3/8"NPT	75	58
HY-FTNV-NPT1/2	400	1/2"NPT	85	65
HY-FTNV-NPT3/4	400	3/4"NPT	90	70
HY-FTNV-NPT1	400	1"NPT	100	80

GENERAL NOTES:

(a) Dimensions are in millimeters

Wenzhou Huiyi Valve Technology Co.,Ltd

Add:No.2158,Binhai 1st Road,Economic and Technical Development Zone,Longwan Distric,Wenzhou City,Zhejiang Province,China

Tel:0086-577-86998027

Fax:0086-577-86998037

Mobile:0086-18057736259

Email: sales@huiyivalve.com info@huiyivalve.com

Contact Person: Tony Zhang Skype: angelzhang880108 , huiyivalve Wechat: huiyivalve

Website: <http://www.huiyivalve.com> Website in Alibaba: <http://huiyivalve.en.alibaba.com>

Wenzhou Huiyi Valve Technology Co.,Ltd

Add:No.2158,Binhai 1st Road,Economic and Technical Development Zone,Longwan Distric,
Wenzhou City,Zhejiang Province,China

Tel:0086-577-86998027

Fax:0086-577-86998037

Mobile:0086-18057736259

FEMALE THREAD NEEDLE VALVE, T HANDLE, MODEL NO.: HY-FTNV

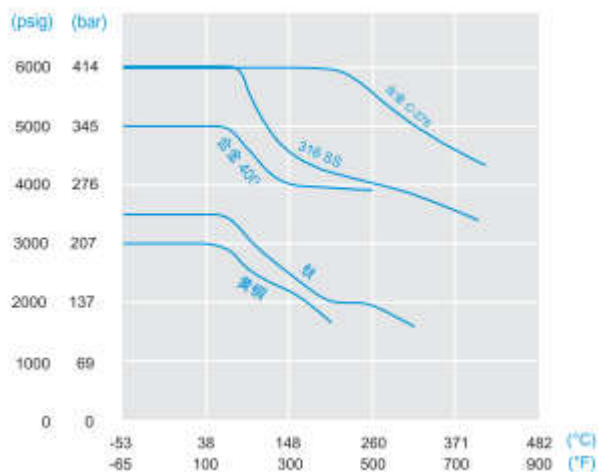
Features

- Packing bolt and thread are extruded forming, high strength, enhance the usage life
- Double lock pin for the handle,which makes the handle tighter, more durable
- Locking pin protects the nut from being loose, which results in leak
- The stem is with the treatment of cold rolling ,more durable and longer usage life
- When the valve is full opened ,the back valve seat has the function of sealing

Performance Sheet

- Material: stainless steel ,carbon steel and other specified material by customer
- Working Pressure: max 6000 psig(413 bar)
- Working Temperature:-65 degree F to 850 degree F(-53 degree C to 455 degree C)
- Connection Style: ferrules, NPT thread , ISO/BSP thread , metric thread,weld
- Size: 1/8" to 1-1/4" , 3mm to 28mm
- Packing: PTFE, RPTFE, PEEK, graphite and others

Pressure VS Temperature



Wenzhou Huiyi Valve Technology Co.,Ltd

Add:No.2158,Binhai 1st Road,Economic and Technical Development Zone,Longwan Distric,Wenzhou City,Zhejiang Province,China

Tel:0086-577-86998027

Fax:0086-577-86998037

Mobile:0086-18057736259

Email: sales@huiyivalve.com info@huiyivalve.com

Contact Person: Tony Zhang Skype: angelzhang880108 , huiyivalve Wechat: huiyivalve

Website: <http://www.huiyivalve.com> Website in Alibaba: <http://huiyivalve.en.alibaba.com>

Wenzhou Huiyi Valve Technology Co.,Ltd

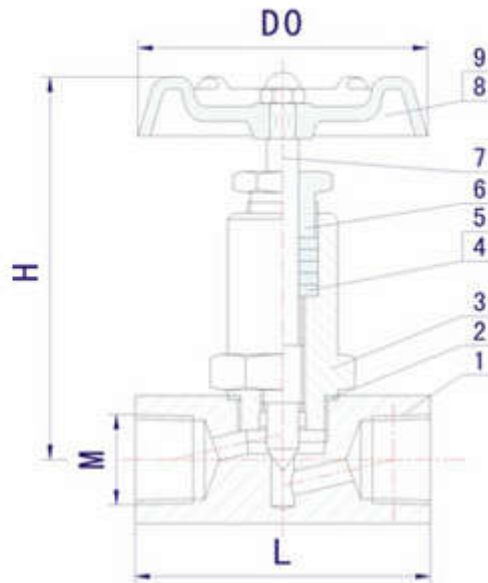
Add:No.2158,Binhai 1st Road,Economic and Technical Development Zone,Longwan Distric,
Wenzhou City,Zhejiang Province,China

Tel:0086-577-86998027

Fax:0086-577-86998037

Mobile:0086-18057736259

FEMALE THREAD NEEDLE VALVE, HANDWHEEL,MODEL NO.: HY-FTNV1



Item	DN	G	H	L	D0
HY-FTNV2-G1/4	DN6	G1/4"	90	60	63
HY-FTNV2-G3/8	DN10	G3/8"	92	60	63
HY-FTNV2-G1/2	DN15	G1/2"	98	65	63
HY-FTNV2-G3/4	DN20	G3/4"	110	80	78
HY-FTNV2-G1	DN25	G1"	125	90	100
HY-FTNV1-G2-1/4	DN32	G1-1/4"	180	128	140

GENERAL NOTES:

(a) Dimensions are in millimeters

Wenzhou Huiyi Valve Technology Co.,Ltd

Add:No.2158,Binhai 1st Road,Economic and Technical Development Zone,Longwan Distric,Wenzhou City,Zhejiang Province,China

Tel:0086-577-86998027

Fax:0086-577-86998037

Mobile:0086-18057736259

Email: sales@huiyivalve.com info@huiyivalve.com

Contact Person: Tony Zhang Skype: angelzhang880108 , huiyivalve Wechat: huiyivalve

Website: <http://www.huiyivalve.com> Website in Alibaba: <http://huiyivalve.en.alibaba.com>

Wenzhou Huiyi Valve Technology Co.,Ltd

Add:No.2158,Binhai 1st Road,Economic and Technical Development Zone,Longwan Distric,
Wenzhou City,Zhejiang Province,China

Tel:0086-577-86998027

Fax:0086-577-86998037

Mobile:0086-18057736259

FEMALE THREAD NEEDLE VALVE, HANDWHEEL , MODEL NO.: HY-FTNV1

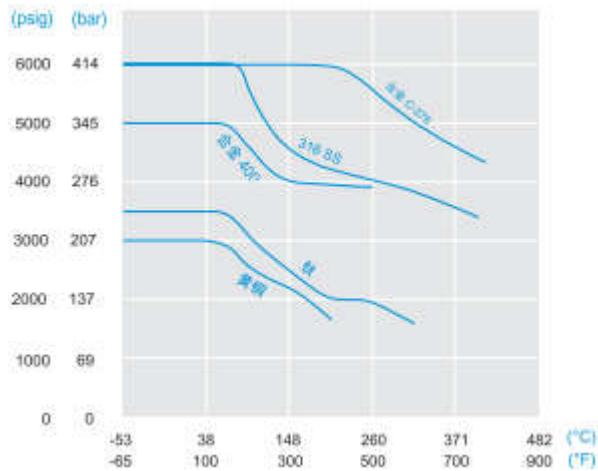
Features

- Packing bolt and thread are extruded forming, high strength, enhance the usage life
- Double lock pin for the handle,which makes the handle tighter, more durable
- Locking pin protects the nut from being loose, which results in leak
- The stem is with the treatment of cold rolling ,more durable and longer usage life
- When the valve is full opened ,the back valve seat has the function of sealing

Performance Sheet

- Material: stainless steel ,carbon steel and other specified material by customer
- Working Pressure: max 6000 psig(413 bar)
- Working Temperature:-65 degree F to 850 degree F(-53 degree C to 455 degree C)
- Connection Style: ferrules, NPT thread , ISO/BSP thread , metric thread,weld
- Size: 1/8" to 1-1/4", 3mm to 28mm
- Packing: PTFE, RPTFE, PEEK, graphite and others

Pressure VS Temperature



Wenzhou Huiyi Valve Technology Co.,Ltd

Add:No.2158,Binhai 1st Road,Economic and Technical Development Zone,Longwan Distric,Wenzhou City,Zhejiang Province,China

Tel:0086-577-86998027

Fax:0086-577-86998037

Mobile:0086-18057736259

Email: sales@huiyivalve.com info@huiyivalve.com

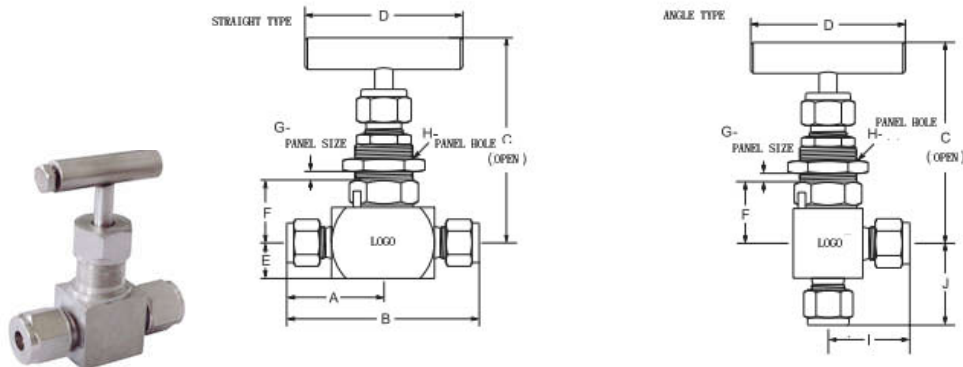
Contact Person: Tony Zhang Skype: angelzhang880108 , huiyivalve Wechat: huiyivalve

Website: <http://www.huiyivalve.com> Website in Alibaba: <http://huiyivalve.en.alibaba.com>

Wenzhou Huiyi Valve Technology Co.,Ltd

Add:No.2158,Binhai 1st Road,Economic and Technical Development Zone,Longwan Distric,
Wenzhou City,Zhejiang Province,China
Tel:0086-577-86998027 Fax:0086-577-86998037 Mobile:0086-18057736259

OD NEEDLE VALVE,MODEL NO.: HY-FNV1



Size Table

End connection		Ordering Number	Orifice (mm)	Cv	Diameter (mm)									
inlet/outlet	size				A	B	C	D	E	F	G	H	I	J
Inch tube	3/8"	HY-FNV 1-3/8	6	0.85	45.5	91	87.3	65	14.3	25.4	9.7	24.4	45.5	45.5
	1/2"	HY-FNV 1-1/2	6	0.85	48.3	96.6	87.3	65	14.3	25.4	9.7	24.4	48.3	48.3
	3/4"	HY-FNV 1-3/4	10	2.18	47.1	94.2	93	75	22.2	34.9	9.7	27.5	47.1	47.1
Metric tube	10mm	HY-FNV 1-10M	6	0.85	45.8	91.6	87.3	65	14.3	25.4	9.7	24.4	45.8	45.8
	12mm	HY-FNV 1-12M	6	0.85	48.2	96.4	87.3	65	14.3	25.4	9.7	24.4	48.2	48.2
	14mm	HY-FNV 1-14M	6	0.85	48.2	96.4	87.3	65	14.3	25.4	9.7	24.4	48.2	48.2
			10	2.18	47.1	94.2	87.3	75	22.2	34.9	9.7	27.5	47.1	47.1
	16mm	HY-FNV 1-16M	10	2.18	47.1	94.2	93	75	22.2	34.9	9.7	27.5	47.1	47.1
18mm	HFZ-FN V1-18M	10	2.18	47.1	94.2	93	75	22.2	34.9	9.7	27.5	47.1	47.1	

Wenzhou Huiyi Valve Technology Co.,Ltd

Add:No.2158,Binhai 1st Road,Economic and Technical Development Zone,Longwan Distric,Wenzhou City,Zhejiang Province,China
Tel:0086-577-86998027
Fax:0086-577-86998037
Mobile:0086-18057736259

Email: sales@huiyivalve.com info@huiyivalve.com

Contact Person: Tony Zhang Skype: angelzhang880108, huiyivalve Wechat: huiyivalve

Website: <http://www.huiyivalve.com> Website in Alibaba: <http://huiyivalve.en.alibaba.com>

Wenzhou Huiyi Valve Technology Co.,Ltd

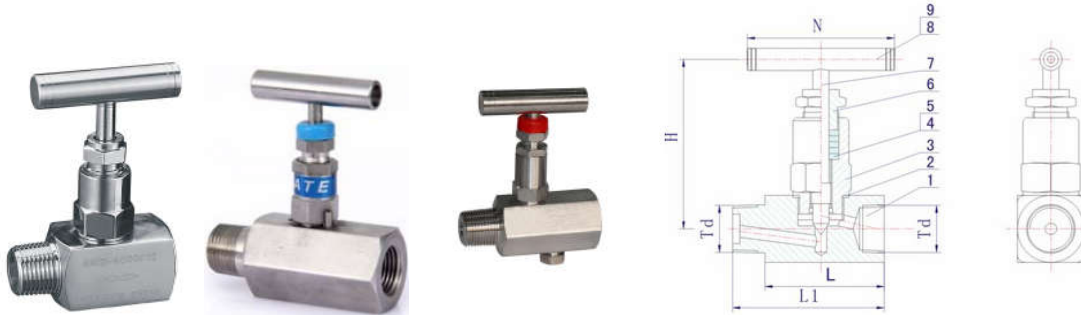
Add:No.2158,Binhai 1st Road,Economic and Technical Development Zone,Longwan Distric,
Wenzhou City,Zhejiang Province,China

Tel:0086-577-86998027

Fax:0086-577-86998037

Mobile:0086-18057736259

M x F THREAD NEEDLE VALVE,MODEL NO.: HY-MFNV /HY-HMFNV / HY-HMFNV-V



Size Table

Item	DN	Td	H	L	L1	N
HY-MFNV(1)-1/4	DN6	G1/4	75	58	75	60
HY-MFNV(1)-3/8	DN10	G3/8	75	58	78	60
HY-MFNV(1)-1/2	DN15	G1/2	80	62	66	60
HY-MFNV(1)-1/2	DN20	G3/4	80	57	70	60

Note: all dimensions are in millimeters.

Features

- Packing bolt and thread are extruded forming, high strength, enhance the usage life
- Double lock pin for the handle,which makes the handle tighter, more durable
- Locking pin protects the nut from being loose, which results in leak
- The stem is with the treatment of cold rolling ,more durable and longer usage life
- When the valve is full opened ,the back valve seat has the function of sealing

Performance Sheet

- Material: stainless steel ,carbon steel and other specified material by customer
- Working Pressure: max 6000 psig(413 bar)
- Working Temperature:-65 degree F to 850 degree F(-53 degree C to 455 degree C)
- Connection Style: ferrules, NPT thread , ISO/BSP thread , metric thread,weld
- Size: 1/8" to 1-1/4", 3mm to 28mm
- Packing: PTFE, RPTFE, PEEK, graphite and others

Wenzhou Huiyi Valve Technology Co.,Ltd

Add:No.2158,Binhai 1st Road,Economic and Technical Development Zone,Longwan Distric,Wenzhou City,Zhejiang Province,China

Tel:0086-577-86998027

Fax:0086-577-86998037

Mobile:0086-18057736259

Email: sales@huiyivalve.com info@huiyivalve.com

Contact Person: Tony Zhang Skype: angelzhang880108 , huiyivalve Wechat: huiyivalve

Website: <http://www.huiyivalve.com> Website in Alibaba: <http://huiyivalve.en.alibaba.com>

Wenzhou Huiyi Valve Technology Co.,Ltd

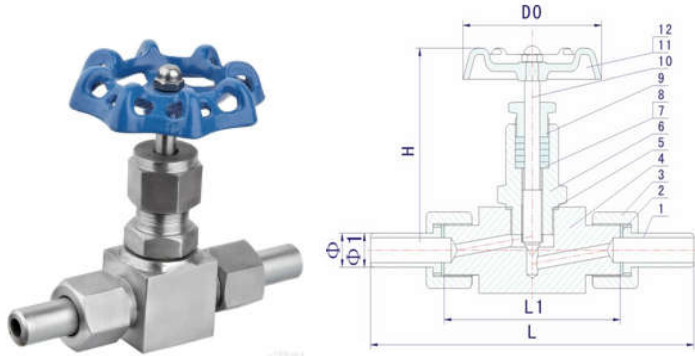
Add:No.2158,Binhai 1st Road,Economic and Technical Development Zone,Longwan Distric,
Wenzhou City,Zhejiang Province,China

Tel:0086-577-86998027

Fax:0086-577-86998037

Mobile:0086-18057736259

BUTT WELD NEEDLE VALVE, MODEL NO.:HY-BWNV1



Size Table

Item	DN	Ø	Ø1	H	L	L1	D0
HY-BWNV1-1/4	DN6	14	12	88	122	60	60
HY-BWNV1-3/8	DN10	18	14	88	122	60	60
HY-BWNV1-1/2	DN15	22	17	88	134	62	70
HY-BWNV1-3/4	DN20	28	19	110	142	67	80
HY-BWNV1-1	DN25	34	22	110	159	77	80

Note: all dimensions are in millimeters.

Features

- Packing bolt and thread are extruded forming, high strength, enhance the usage life
- Double lock pin for the handle, which makes the handle tighter, more durable
- Locking pin protects the nut from being loose, which results in leak
- The stem is with the treatment of cold rolling, more durable and longer usage life
- When the valve is full opened, the back valve seat has the function of sealing

Performance Sheet

- Material: stainless steel, carbon steel and other specified material by customer
- Working Pressure: max 3000 psig(207 bar)
- Working Temperature:-65 degree F to 850 degree F(-53 degree C to 455 degree C)
- Connection Style: ferrules, NPT thread, ISO/BSP thread, metric thread, weld
- Size: 1/8" to 1-1/4", 3mm to 28mm
- Packing: PTFE, RPTFE, PEEK, graphite and others

Wenzhou Huiyi Valve Technology Co.,Ltd

Add:No.2158,Binhai 1st Road,Economic and Technical Development Zone,Longwan Distric,Wenzhou City,Zhejiang Province,China

Tel:0086-577-86998027

Fax:0086-577-86998037

Mobile:0086-18057736259

Email: sales@huiyivalve.com info@huiyivalve.com

Contact Person: Tony Zhang Skype: angelzhang880108, huiyivalve Wechat: huiyivalve

Website: <http://www.huiyivalve.com> Website in Alibaba: <http://huiyivalve.en.alibaba.com>

Wenzhou Huiyi Valve Technology Co.,Ltd

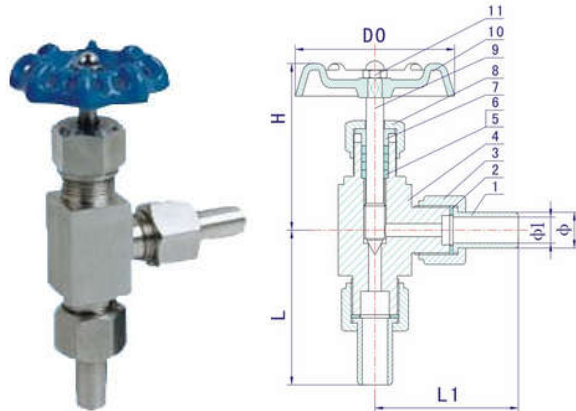
Add:No.2158,Binhai 1st Road,Economic and Technical Development Zone,Longwan Distric,
Wenzhou City,Zhejiang Province,China

Tel:0086-577-86998027

Fax:0086-577-86998037

Mobile:0086-18057736259

ANGLE TYPE NEEDLE VALVE, MODEL NO.: HY-ANVBW



Size Table

Item	DN	\varnothing	$\varnothing 1$	L1	L	H	D0
HY-ANVBW-1/4	DN6	14	12	60	66	76	70
HY-ANVBW-3/8	DN10	18	14	60	66	76	80
HY-ANVBW-1/2	DN15	22	17	65	71	81	80
HY-ANVBW-3/4	DN20	28	19	67	73	110	110
HY-ANVBW-1	DN25	33	22	73	79	130	130

Note: all dimensions are in millimeters.

Features

- Packing bolt and thread are extruded forming, high strength, enhance the usage life
- Double lock pin for the handle, which makes the handle tighter, more durable
- Locking pin protects the nut from being loose, which results in leak
- The stem is with the treatment of cold rolling, more durable and longer usage life
- When the valve is full opened, the back valve seat has the function of sealing

Performance Sheet

- Material: stainless steel, carbon steel and other specified material by customer
- Working Pressure: max 3000 psig(207 bar)
- Working Temperature:-65 degree F to 850 degree F(-53 degree C to 455 degree C)
- Connection Style: ferrules, NPT thread, ISO/BSP thread, metric thread, weld
- Size: 1/8" to 1-1/4", 3mm to 28mm
- Packing: PTFE, RPTFE, PEEK, graphite and others

Wenzhou Huiyi Valve Technology Co.,Ltd

Add:No.2158,Binhai 1st Road,Economic and Technical Development Zone,Longwan Distric,Wenzhou City,Zhejiang Province,China

Tel:0086-577-86998027

Fax:0086-577-86998037

Mobile:0086-18057736259

Email: sales@huiyivalve.com info@huiyivalve.com

Contact Person: Tony Zhang Skype: angelzhang880108, huiyivalve Wechat: huiyivalve

Website: <http://www.huiyivalve.com> Website in Alibaba: <http://huiyivalve.en.alibaba.com>

Wenzhou Huiyi Valve Technology Co.,Ltd

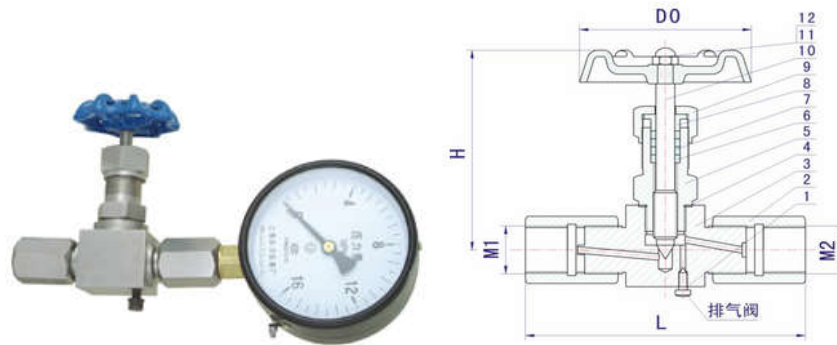
Add:No.2158,Binhai 1st Road,Economic and Technical Development Zone,Longwan Distric,
Wenzhou City,Zhejiang Province,China

Tel:0086-577-86998027

Fax:0086-577-86998037

Mobile:0086-18057736259

PRESSURE GAUGE VALVE, MODEL NO.: HY-PGNV



Size Table

Item	DN	M1	M2	L	H	D0
HY-PGNV-M20-M20	DN6	M20 x 1.5	M20 x 1.5	120	93	70
HY-PGNV-M20-1/2	DN6	M20 x 1.5	1/2	120	93	70

Note: all dimensions are in millimeters.

Features

- Packing bolt and thread are extruded forming, high strength, enhance the usage life
- Double lock pin for the handle, which makes the handle tighter, more durable
- Locking pin protects the nut from being loose, which results in leak
- The stem is with the treatment of cold rolling, more durable and longer usage life
- When the valve is full opened, the back valve seat has the function of sealing

Performance Sheet

- Material: stainless steel, carbon steel and other specified material by customer
- Working Pressure: max 3000 psig(207 bar)
- Working Temperature:-65 degree F to 850 degree F(-53 degree C to 455 degree C)
- Connection Style: ferrules, NPT thread, ISO/BSP thread, metric thread, weld
- Size: 1/8" to 1-1/4", 3mm to 28mm
- Packing: PTFE, RPTFE, PEEK, graphite and others

Wenzhou Huiyi Valve Technology Co.,Ltd

Add:No.2158,Binhai 1st Road,Economic and Technical Development Zone,Longwan Distric,Wenzhou City,Zhejiang Province,China

Tel:0086-577-86998027

Fax:0086-577-86998037

Mobile:0086-18057736259

Email: sales@huiyivalve.com info@huiyivalve.com

Contact Person: Tony Zhang Skype: angelzhang880108, huiyivalve Wechat: huiyivalve

Website: <http://www.huiyivalve.com> Website in Alibaba: <http://huiyivalve.en.alibaba.com>

Wenzhou Huiyi Valve Technology Co.,Ltd

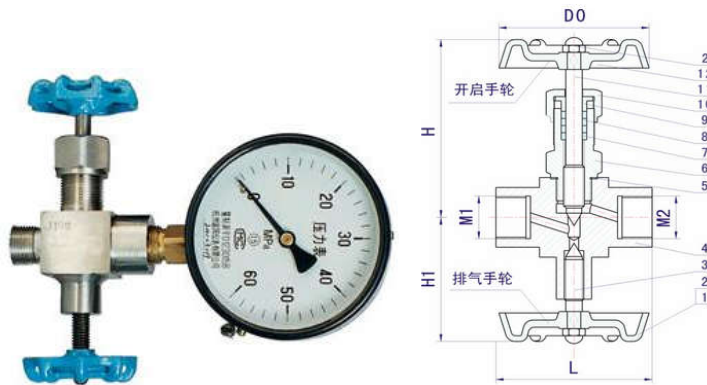
Add:No.2158,Binhai 1st Road,Economic and Technical Development Zone,Longwan Distric,
Wenzhou City,Zhejiang Province,China

Tel:0086-577-86998027

Fax:0086-577-86998037

Mobile:0086-18057736259

PRESSURE GAUGE 3 WAY NEEDLE VALVE, MODEL NO.: HY-3WGV



Size Table

Item	DN	M1	M2	L	H	H1	D0
HY-3WGV-M20-1/2	6	1/2	M20 x 1.5	70	93	68	63

Note: all dimensions are in millimeters.

Features

- Packing bolt and thread are extruded forming, high strength, enhance the usage life
- Double lock pin for the handle, which makes the handle tighter, more durable
- Locking pin protects the nut from being loose, which results in leak
- The stem is with the treatment of cold rolling, more durable and longer usage life
- When the valve is full opened, the back valve seat has the function of sealing

Performance Sheet

- Material: stainless steel, carbon steel and other specified material by customer
- Working Pressure: max 3000 psig(207 bar)
- Working Temperature: -65 degree F to 850 degree F(-53 degree C to 455 degree C)
- Connection Style: ferrules, NPT thread, ISO/BSP thread, metric thread, weld
- Size: 1/8" to 1-1/4", 3mm to 28mm
- Packing: PTFE, RPTFE, PEEK, graphite and others

Wenzhou Huiyi Valve Technology Co.,Ltd

Add:No.2158,Binhai 1st Road,Economic and Technical Development Zone,Longwan Distric,Wenzhou City,Zhejiang Province,China

Tel:0086-577-86998027

Fax:0086-577-86998037

Mobile:0086-18057736259

Email: sales@huiyivalve.com info@huiyivalve.com

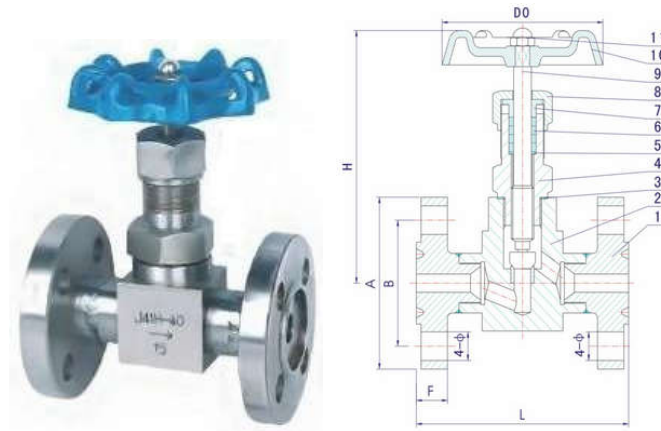
Contact Person: Tony Zhang Skype: angelzhang880108, huiyivalve Wechat: huiyivalve

Website: <http://www.huiyivalve.com> Website in Alibaba: <http://huiyivalve.en.alibaba.com>

Wenzhou Huiyi Valve Technology Co.,Ltd

Add:No.2158,Binhai 1st Road,Economic and Technical Development Zone,Longwan Distric,
Wenzhou City,Zhejiang Province,China
Tel:0086-577-86998027 Fax:0086-577-86998037 Mobile:0086-18057736259

FLANGE NEEDLE VALVE, MODEL NO.: J41F



Size Table

Item	DN	A	B	C	F	N-ø	L	H	D0
J41F-3/8	10	90	60	41	14	4-14	130	90	60
J41F-1/2	15	95	65	46	14	4-14	132	90	60
J41F-3/4	20	105	75	56	16	4-14	150	105	80
J41F-1	25	115	85	65	16	4-14	150	120	100

Note: all dimensions are in millimeters.

Features

- Packing bolt and thread are extruded forming, high strength, enhance the usage life
- Double lock pin for the handle, which makes the handle tighter, more durable
- Locking pin protects the nut from being loose, which results in leak
- The stem is with the treatment of cold rolling, more durable and longer usage life
- When the valve is full opened, the back valve seat has the function of sealing

Performance Sheet

- Material: stainless steel, carbon steel and other specified material by customer
- Working Pressure: max 3000 psig(207 bar)
- Working Temperature:-65 degree F to 850 degree F(-53 degree C to 455 degree C)
- Connection Style: flange, 300lb, 600lb, 900lb
- Size: 3/8" to 1-1/4", 10mm to 28mm
- Packing: PTFE, RPTFE, PEEK, graphite and others

Wenzhou Huiyi Valve Technology Co.,Ltd

Add:No.2158,Binhai 1st Road,Economic and Technical Development Zone,Longwan Distric,Wenzhou City,Zhejiang Province,China
Tel:0086-577-86998027
Fax:0086-577-86998037
Mobile:0086-18057736259

Email: sales@huiyivalve.com info@huiyivalve.com

Contact Person: Tony Zhang Skype: angelzhang880108, huiyivalve Wechat: huiyivalve

Website: <http://www.huiyivalve.com> Website in Alibaba: <http://huiyivalve.en.alibaba.com>

Wenzhou Huiyi Valve Technology Co.,Ltd

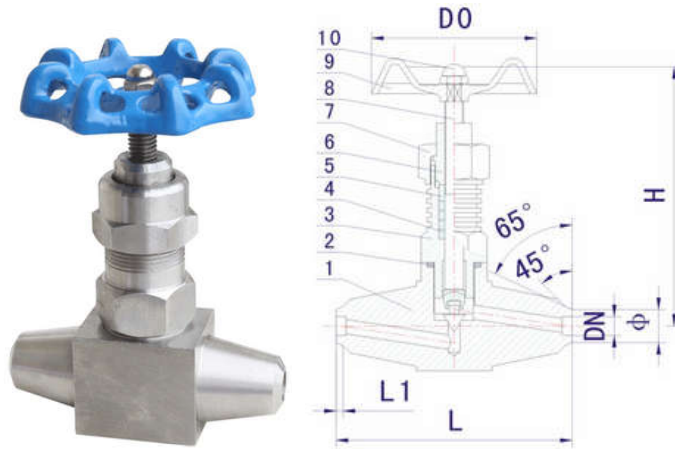
Add:No.2158,Binhai 1st Road,Economic and Technical Development Zone,Longwan Distric,
Wenzhou City,Zhejiang Province,China

Tel:0086-577-86998027

Fax:0086-577-86998037

Mobile:0086-18057736259

HIGH TEMPERATURE HIGH PRESSURE GLOBE VALVE, MODEL NO.: HY-PSGV



Size Table

Item	DN	ø	H	L	D0
HY-PSGV-1/4	6	10	110	100	80
HY-PSGV-3/8	10	14	145	110	100
HY-PSGV-1/2	15	16	165	120	110
HY-PSGV-3/4	20	20	180	140	130

Note: all dimensions are in millimeters.

Features

- Packing bolt and thread are extruded forming, high strength, enhance the usage life
- Double lock pin for the handle, which makes the handle tighter, more durable
- Locking pin protects the nut from being loose, which results in leak
- The stem is with the treatment of cold rolling, more durable and longer usage life
- When the valve is full opened, the back valve seat has the function of sealing

Performance Sheet

- Material: stainless steel, carbon steel and other specified material by customer
- Working Pressure: max 6000 psig(413 bar)
- Working Temperature: -65 degree F to 850 degree F(-53 degree C to 455 degree C)
- Connection Style: butt weld
- Size: 1/4" to 1-1/4", 6mm to 28mm
- Packing: PTFE, RPTFE, PEEK, graphite and others

Wenzhou Huiyi Valve Technology Co.,Ltd

Add:No.2158,Binhai 1st Road,Economic and Technical Development Zone,Longwan Distric,Wenzhou City,Zhejiang Province,China

Tel:0086-577-86998027

Fax:0086-577-86998037

Mobile:0086-18057736259

Email: sales@huiyivalve.com info@huiyivalve.com

Contact Person: Tony Zhang Skype: angelzhang880108, huiyivalve Wechat: huiyivalve

Website: <http://www.huiyivalve.com> Website in Alibaba: <http://huiyivalve.en.alibaba.com>

Wenzhou Huiyi Valve Technology Co.,Ltd

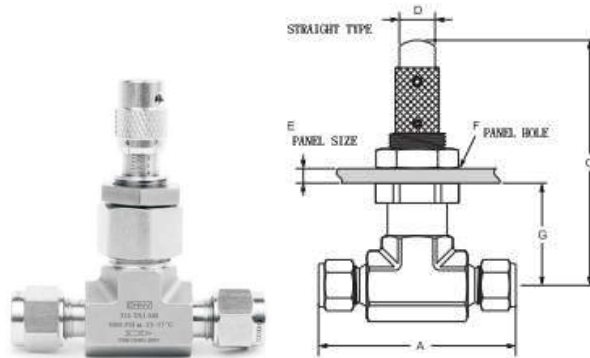
Add:No.2158,Binhai 1st Road,Economic and Technical Development Zone,Longwan Distric,
Wenzhou City,Zhejiang Province,China

Tel:0086-577-86998027

Fax:0086-577-86998037

Mobile:0086-18057736259

METERING VALVE,MODEL NO.: HY-FTMV



Performance Sheet

- Working pressure:3000 psig(207 bar)
- Working temperature:-10 degree F to 400 degree F(-23 degree C to 204 degree C)
- Material: SS316 ,brass and other specified material by customer
- Cv:0.004,0.03,0.16
- Orifice: 0.81 , 1.2 , 3.2mm
- Connection style: ferrules , NPT thread , ISO/BSP thread
- Size:1/16" to 1/4"(3 to 8mm)

Wenzhou Huiyi Valve Technology Co.,Ltd

Add:No.2158,Binhai 1st Road,Economic and Technical Development Zone,Longwan Distric,Wenzhou City,Zhejiang Province,China

Tel:0086-577-86998027

Fax:0086-577-86998037

Mobile:0086-18057736259

Email: sales@huiyivalve.com info@huiyivalve.com

Contact Person: Tony Zhang Skype: angelzhang880108 , huiyivalve Wechat: huiyivalve

Website: <http://www.huiyivalve.com> Website in Alibaba: <http://huiyivalve.en.alibaba.com>

Wenzhou Huiyi Valve Technology Co.,Ltd

Add:No.2158,Binhai 1st Road,Economic and Technical Development Zone,Longwan Distric,
Wenzhou City,Zhejiang Province,China
Tel:0086-577-86998027 Fax:0086-577-86998037 Mobile:0086-18057736259

METERING VALVE, MODEL NO.: HY-FTMV

Size Table

Connection Inlet/outlet	Size	Ordering number	Orifice (mm)	Size(mm)					
				A	C	D	E	F	G
Inch tube	1/16"	HY-FTMV-1/16	0.8	39.6	59.4	9.6	4.1	11.4	23.4
			1.2	56.4	54	12.5	3.5	14.5	28
	1/4"	HY-FTMV-1/4	0.8	51.8	59.4	9.6	4.1	11.4	23.4
			1.2	61.4	54	12.5	3.5	14.5	28
			3.2	59.4	71.6	28.7	3.3	14.7	32
	3/8"	HY-FTMV-3/8	3.2	62.5	71.6	28.7	3.3	14.7	32
Metric tube	3mm	HY-FTMV-3M	0.8	48.3	59.4	9.6	4.1	11.4	23.4
			1.2	56.4	54	12.5	3.5	14.5	28
	6mm	HY-FTMV-6M	0.8	51.8	59.4	9.6	4.1	14.5	23.4
			1.2	61.4	54	12.5	3.5	14.5	28
			3.2	59.4	71.6	28.7	3.3	14.7	32
Female NPT	1/8"	HY-FMV-1/8	1.2	46.8	54	12.5	3.5	14.5	28
Male NPT	1/8"	HY-FMV-1/4	1.2	45.4	54	12.5	3.5	14.5	28
	1/4"		3.2	50.8	71.6	28.7	3.3	14.7	32

Wenzhou Huiyi Valve Technology Co.,Ltd

Add:No.2158,Binhai 1st Road,Economic and Technical Development Zone,Longwan Distric,Wenzhou City,Zhejiang Province,China
Tel:0086-577-86998027
Fax:0086-577-86998037
Mobile:0086-18057736259

Email: sales@huiyivalve.com info@huiyivalve.com

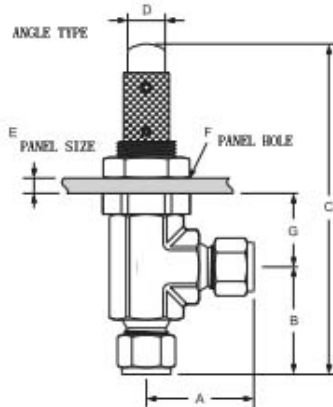
Contact Person: Tony Zhang Skype: angelzhang880108 , huiyivalve Wechat: huiyivalve

Website: <http://www.huiyivalve.com> Website in Alibaba: <http://huiyivalve.en.alibaba.com>

Wenzhou Huiyi Valve Technology Co.,Ltd

Add:No.2158,Binhai 1st Road,Economic and Technical Development Zone,Longwan Distric,
Wenzhou City,Zhejiang Province,China
Tel:0086-577-86998027 Fax:0086-577-86998037 Mobile:0086-18057736259

METERING VALVE,ANGLE TYPE, MODEL NO.: HY-FTMV



Features

- Working pressure:3000 psig(207 bar)
- Working temperature:-10 degree F to 400 degree F(-23 degree C to 204 degree C)
- Material: SS316 ,brass and other specified material by customer
- Cv:0.004,0.03,0.16
- Orifice: 0.81 , 1.2 , 3.2mm
- Connection style: ferrules , NPT thread , ISO/BSP thread
- Size:1/16" to 1/4"(3 to 8mm)

Size Table

Connection Inlet/outlet	Size	Ordering number	Orifice (mm)	Size(mm)						
				A	B	C	D	E	F	G
Inch tube	1/16"	HY-FTMV-1/16	0.8	20.8	22.4	81.8	9.6	4.1	11.4	23.4
			1.2	28.2	28.2	84	12.5	3.5	14.5	28
	1/8"	HY-FTMV-1/8	0.8	24.9	24.9	84.3	9.6	4.1	11.4	23.4
			1.2	28.2	28.2	84	12.5	3.5	14.5	28
			3.2	29.7	29.7	95.8	28.7	3.3	14.7	26.4
	1/4"	HY-FTMV-1/4	0.8	25.9	25.9	85.3	9.6	4.1	11.4	23.4
1.2			30.7	30.7	86.5	12.5	3.5	14.5	28	
3.2			29.7	29.7	95.8	28.7	3.3	14.7	26.4	
3.2			29.7	29.7	95.8	28.7	3.3	14.7	26.4	
Metric tube	3mm	HY-FTMV-3M	0.8	24.9	25.1	84.3	9.6	4.1	11.4	23.4
			1.2	28.2	28.2	84	12.5	3.5	14.5	28
	6mm	HY-FTMV-6M	1.2	30.7	30.7	86.5	12.5	3.5	14.5	28
			3.2	29.7	29.7	95.8	28.7	3.3	14.7	26.4
Female NPT	1/8"	HY-FMV-1/8	1.2	23.4	23.4	79	12.5	3.5	14.5	28
Male NPT	1/8"	HY-MMV-1/8	1.2	27.7	27.7	83.4	12.5	3.5	14.5	28

Wenzhou Huiyi Valve Technology Co.,Ltd

Add:No.2158,Binhai 1st Road,Economic and Technical Development Zone,Longwan Distric,Wenzhou City,Zhejiang Province,China
Tel:0086-577-86998027
Fax:0086-577-86998037
Mobile:0086-18057736259

Email: sales@huiyivalve.com info@huiyivalve.com

Contact Person: Tony Zhang Skype: angelzhang880108 , huiyivalve Wechat: huiyivalve

Website: <http://www.huiyivalve.com> Website in Alibaba: <http://huiyivalve.en.alibaba.com>

Wenzhou Huiyi Valve Technology Co.,Ltd

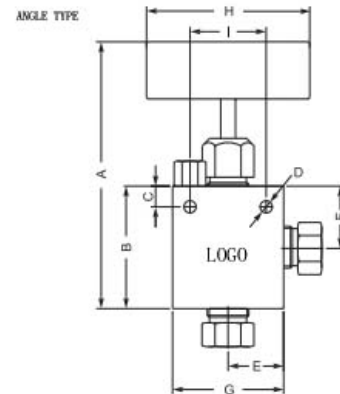
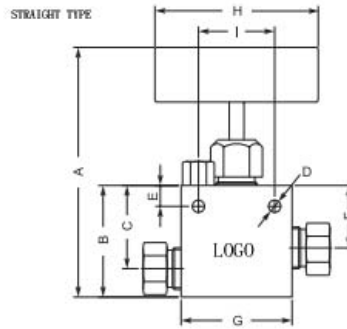
Add:No.2158,Binhai 1st Road,Economic and Technical Development Zone,Longwan Distric,
Wenzhou City,Zhejiang Province,China

Tel:0086-577-86998027

Fax:0086-577-86998037

Mobile:0086-18057736259

HIGH PRESSURE NEEDLE VALVE, MODEL NO.: HY-HNV



Feature

- Forging body, high temperature high pressure resistant
- It has the bleed hole between the connection port and sealing face
- Non-rotating needle protects the sealing face from damaged, which has longer usage life

Performance Sheet

- Working pressure: max 30000 psig(2068 bar)
- Working temperature: -65 degree F to 1200 degree F(-53 degree C to 648 degree C)
- Material: ss316
- Packing: PTFE, RPTFE, graphite, PEEK
- Size:1/4" to 9/16", 6mm to 14mm

Straight type

OD	Ordering number	Orifice (mm)	Size(mm)								
			A	B	C	D	E	F	G	H	I
1/4"	HY-HNV-1/4	2.3	121	51	38	5.6	9.5	28.5	51	75	35
3/8"	HY-HNV-3/8	3.2	121	51	38	5.6	9.5	28.5	51	75	35
9/16"	HY-HNV-9/16	3.2	132	62	39.6	5.6	9.5	28.5	67	75	35

Angle type

OD	Ordering number	Orifice (mm)	Size(mm)								
			A	B	C	D	E	F	G	H	I
1/4"	HY-HANV-1/4	2.3	121	51	9.5	5.6	25.5	28.5	51	75	35
3/8"	HY-HANV-3/8	3.2	126	56	9.5	5.6	25.5	28.5	51	75	35
9/16"	HY-HANV-9/16	3.2	132	62	9.5	5.6	33.5	28.5	67	75	35

Wenzhou Huiyi Valve Technology Co.,Ltd

Add:No.2158,Binhai 1st Road,Economic and Technical Development Zone,Longwan Distric,Wenzhou City,Zhejiang Province,China

Tel:0086-577-86998027

Fax:0086-577-86998037

Mobile:0086-18057736259

Email: sales@huiyivalve.com info@huiyivalve.com

Contact Person: Tony Zhang Skype: angelzhang880108, huiyivalve Wechat: huiyivalve

Website: <http://www.huiyivalve.com> Website in Alibaba: <http://huiyivalve.en.alibaba.com>

Wenzhou Huiyi Valve Technology Co.,Ltd

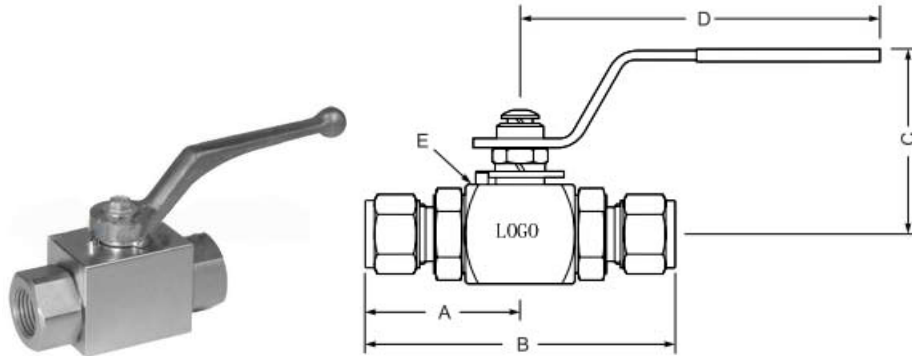
Add:No.2158,Binhai 1st Road,Economic and Technical Development Zone,Longwan Distric,
Wenzhou City,Zhejiang Province,China

Tel:0086-577-86998027

Fax:0086-577-86998037

Mobile:0086-18057736259

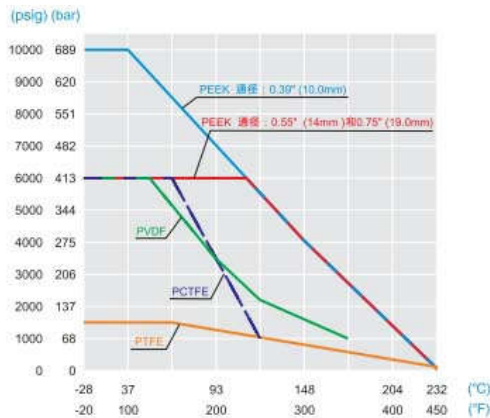
FEMALE THREAD BALL VALVE, HIGH PRESSURE, MODEL NO.: HY-HP2BVFT-1



Feature

- Compact design, nice appearance
- Floating ball can compensate the abrasion of the valve seat
- Low operating torque

Pressure VS Temperature



Remark: above curve is only for straight type ball valve , not suitable for 3 way ball valve; for the 3 way ball valve, the inlet is from the bottom or side, the max working pressure is 6000psig;every valve will do Nitrogen test at the pressure 6000psig before releasing of approve.

Wenzhou Huiyi Valve Technology Co.,Ltd

Add:No.2158,Binhai 1st Road,Economic and Technical Development Zone,Longwan Distric,Wenzhou City,Zhejiang Province,China

Tel:0086-577-86998027

Fax:0086-577-86998037

Mobile:0086-18057736259

Email: sales@huiyivalve.com info@huiyivalve.com

Contact Person: Tony Zhang Skype: angelzhang880108 , huiyivalve Wechat: huiyivalve

Website: <http://www.huiyivalve.com> Website in Alibaba: <http://huiyivalve.en.alibaba.com>

Wenzhou Huiyi Valve Technology Co.,Ltd

Add:No.2158,Binhai 1st Road,Economic and Technical Development Zone,Longwan Distric,
Wenzhou City,Zhejiang Province,China

Tel:0086-577-86998027

Fax:0086-577-86998037

Mobile:0086-18057736259

FEMALE THREAD BALL VALVE, HIGH PRESSURE,MODEL NO.: HY-HP2BVFT-1

Performance Sheet

- Working Pressure: max 10000 psig(689 bar)
- Working Temperature:-20 degree F to 450 degree F(-28 degree C to 232 degree C)
- Material:SS316 ,brass and other specified material by customer
- Connection Style: ferrules, NPT thread, ISO/BSP thread
- Size:1/4" to 2" (6mm to 50mm)

Wenzhou Huiyi Valve Technology Co.,Ltd

Add:No.2158,Binhai 1st Road,Economic and Technical Development Zone,Longwan Distric,Wenzhou City,Zhejiang Province,China

Tel:0086-577-86998027

Fax:0086-577-86998037

Mobile:0086-18057736259

Email: sales@huiyivalve.com info@huiyivalve.com

Contact Person: Tony Zhang Skype: angelzhang880108 , huiyivalve Wechat: huiyivalve

Website: <http://www.huiyivalve.com> Website in Alibaba: <http://huiyivalve.en.alibaba.com>

Wenzhou Huiyi Valve Technology Co.,Ltd

Add:No.2158,Binhai 1st Road,Economic and Technical Development Zone,Longwan Distric,
Wenzhou City,Zhejiang Province,China
Tel:0086-577-86998027 Fax:0086-577-86998037 Mobile:0086-18057736259

FEMALE THREAD BALL VALVE, HIGH PRESSURE, MODEL NO.: HY-HP2BVFT-1

Connection		Ordering number	Orifice (mm)	Cv	Size(mm)				
Inlet/outlet	Size				A	B	C	D	E
Metric tube	6mm	HY-HP2BVFT-6M	10	1.2	45.5	90.4	44	130	32
	8mm	HY-HP2BVFT-8M		2.7	46.1	92.2	44	130	32
	10mm	HY-HP2BVFT-10M		4.8	47.1	94.2	44	130	32
	12mm	HY-HP2BVFT-12M		7.5	49.5	99	44	130	32
	14mm	HY-HP2BVFT-14M		7.5	49.5	99	44	130	32
	16mm	HY-HP2BVFT-16M	14	10	54	108	48	145	41
	18mm	HY-HP2BVFT-18M		10	54.1	108.2	48	145	41
	20mm	HY-HP2BVFT-20M	19	19	59.5	119	53	160	50
	22mm	HY-HP2BVFT-22M		19	59.5	119	53	160	50
25mm	HY-HP2BVFT-25M	30		64	128	53	160	50	
Inch tube	1/4"	HY-HP2BVFT-1/4	10	1.2	45.3	90.6	44	130	32
	3/8"	HY-HP2BVFT-3/8	10	3.7	46.8	93.6	44	130	32
	1/2"	HY-HP2BVFT-1/2	10	7.5	49.4	98.8	44	130	32
	5/8"	HY-HP2BVFT-5/8	14	10	53.8	107.6	48	145	41
	3/4"	HY-HP2BVFT-3/4	14	10	53.8	107.6	48	145	41
	3/4"	HY-HP2BVFT-3/4	19	19	59.4	118.8	53	160	50
	1"	HY-HP2BVFT-1	19	30	63.9	127.8	53	160	50
Female NPT	1/4"	HY-HP2BV-1/4	10	7.5	36	72	44	130	32
	3/8"	HY-HP2BV-3/8	10	7.5	36.7	73.4	44	130	32
	1/2"	HY-HP2BV-1/2	10	7.5	41.5	83	44	130	32
	1/2	HY-HP2BV1-1/2	14	10	47.5	95	48	145	41
	3/4"	HY-HP2BV-3/4	14	10	47.5	95	48	145	41
	3/4	HY-HP2BV1-3/4	19	30	48.1	96.2	53	160	50
	1"	HY-HP2BV-1	19	30	52.9	105.8	53	160	50
Male NPT	1/4"	HY-MHP2BV-1/4	10	3.7	41.7	83.4	44	130	32
	3/8"	HY-MHP2BV-3/8	10	7.2	41.7	83.4	44	130	32
	1/2"	HY-MHP2BV-1/2	10	7.5	46.5	93	44	130	32
	1/2"	HY-MHP2BV1-1/2	14	10	51	102	48	145	41
	3/4"	HY-MHP2BV-3/4	14	10	51	102	48	145	41
	3/4"	HY-MHP2BV1-3/4	19	19	56.5	113	53	160	50

Wenzhou Huiyi Valve Technology Co.,Ltd

Add:No.2158,Binhai 1st Road,Economic and Technical Development Zone,Longwan Distric,Wenzhou City,Zhejiang Province,China
Tel:0086-577-86998027
Fax:0086-577-86998037
Mobile:0086-18057736259

Email: sales@huiyivalve.com info@huiyivalve.com

Contact Person: Tony Zhang Skype: angelzhang880108, huiyivalve Wechat: huiyivalve

Website: <http://www.huiyivalve.com> Website in Alibaba: <http://huiyivalve.en.alibaba.com>

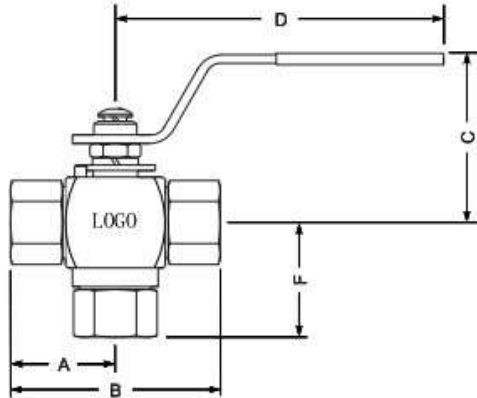
Wenzhou Huiyi Valve Technology Co.,Ltd

Add:No.2158,Binhai 1st Road,Economic and Technical Development Zone,Longwan Distric,
Wenzhou City,Zhejiang Province,China
Tel:0086-577-86998027 Fax:0086-577-86998037 Mobile:0086-18057736259

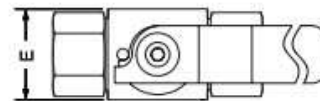
	1"	HY-MHP2BV-1	19	30	61.4	122.8	53	160	50
--	----	-------------	----	----	------	-------	----	-----	----

3 WAY BALL VALVE , BOTTOM IS INLET,MODEL NO.: HY-HP3BVFT

3 WAY BALL VALVE
THE BOTTOM IS INLET

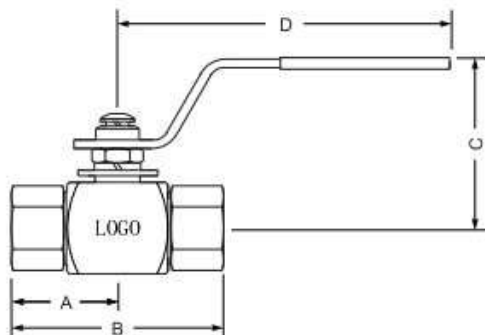


FLOW DIRECTION GRAPH WHEN
HANDLE IS ROTATED 180 DEGREE

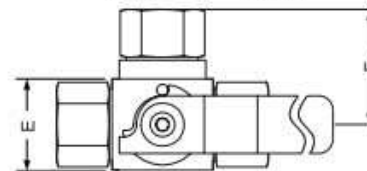


3 WAY BALL VALVE , SIDE IS INLET

3 WAY BALL VALVE
THE SIDE IS INLET



FLOW DIRECTION GRAPH WHEN
HANDLE IS ROTATED 90 DEGREE



Feature

- Compact design, nice appearance
- Floating ball can compensate the abrasion of the valve seat
- Low operating torque

Wenzhou Huiyi Valve Technology Co.,Ltd

Add:No.2158,Binhai 1st Road,Economic and Technical Development Zone,Longwan Distric,Wenzhou City,Zhejiang Province,China
Tel:0086-577-86998027
Fax:0086-577-86998037
Mobile:0086-18057736259

Email: sales@huiyivalve.com info@huiyivalve.com

Contact Person: Tony Zhang Skype: angelzhang880108 , huiyivalve Wechat: huiyivalve

Website: <http://www.huiyivalve.com> Website in Alibaba: <http://huiyivalve.en.alibaba.com>

Wenzhou Huiyi Valve Technology Co.,Ltd

Add:No.2158,Binhai 1st Road,Economic and Technical Development Zone,Longwan Distric,
Wenzhou City,Zhejiang Province,China

Tel:0086-577-86998027

Fax:0086-577-86998037

Mobile:0086-18057736259

3 WAY BALL VALVE , BOTTOM IS INLET, MODEL NO.: HY-HP3BVFT

Performance Sheet

- Working Pressure: max 6000 psig(414 bar)
- Working Temperature:-20 degree F to 450 degree F(-28 degree C to 232 degree C)
- Material:SS316 ,brass and other specified material by customer
- Connection Style: ferrules, NPT thread, ISO/BSP thread
- Size:1/4" to 2" (6mm to 50mm)

Wenzhou Huiyi Valve Technology Co.,Ltd

Add:No.2158,Binhai 1st Road,Economic and Technical Development Zone,Longwan Distric,Wenzhou City,Zhejiang Province,China

Tel:0086-577-86998027

Fax:0086-577-86998037

Mobile:0086-18057736259

Email: sales@huiyivalve.com info@huiyivalve.com

Contact Person: Tony Zhang Skype: angelzhang880108 , huiyivalve Wechat: huiyivalve

Website: <http://www.huiyivalve.com> Website in Alibaba: <http://huiyivalve.en.alibaba.com>

Wenzhou Huiyi Valve Technology Co.,Ltd

Add:No.2158,Binhai 1st Road,Economic and Technical Development Zone,Longwan Distric,
Wenzhou City,Zhejiang Province,China
Tel:0086-577-86998027 Fax:0086-577-86998037 Mobile:0086-18057736259

3 WAY BALL VALVE , BOTTOM IS INLET, MODEL NO.: HY-HP3BVFT

Connection		Ordering number	Orifice (mm)	Cv	Size(mm)					
Inlet/outlet	Size				A	B	C	D	E	F
Metric tube	6mm	HY-HP3BVFT-6M	10	1.2	45.2	90.4	44	130	32	49.7
	8mm	HY-HP3BVFT-8M		2.7	46.1	92.2	44	130	32	50.6
	10mm	HY-HP3BVFT-10M		4.8	47.1	94.2	44	130	32	51.6
	12mm	HY-HP3BVFT-12M		7.5	49.5	99	44	130	32	54
	14mm	HY-HP3BVFT-14M		7.5	49.5	99	44	130	32	54
	16mm	HY-HP3BVFT-16M	14	10	54	108	48	145	41	60.5
	18mm	HY-HP3BVFT-18M		10	54.1	108.2	48	145	41	60.5
	20mm	HY-HP3BVFT-20M	19	19	59.5	119	53	160	50	70
	22mm	HY-HP3BVFT-22M		19	59.5	119	53	160	50	70
	25mm	HY-HP3BVFT-25M		30	64	128	53	160	50	74.5
Inch tube	1/4"	HY-HP3BVFT-1/4	10	1.2	45.3	90.6	44	130	32	49.8
	3/8"	HY-HP3BVFT-3/8	10	3.7	46.8	93.6	44	130	32	51.3
	1/2"	HY-HP3BVFT-1/2	10	7.5	49.4	98.8	44	130	32	53.9
	5/8"	HY-HP3BVFT-5/8	14	10	53.8	107.6	48	145	41	60.3
	3/4"	HY-HP3BVFT-3/4	14	10	53.8	107.6	48	145	41	60.3
	3/4"	HY-HP3BVFT-3/4	19	19	59.4	118.8	53	160	50	69.9
	1"	HY-HP3BVFT-1	19	30	63.9	127.8	53	160	50	74.4
Female NPT	1/4"	HY-HP3BV-1/4	10	7.5	36	72	44	130	32	40.5
	3/8"	HY-HP3BV-3/8	10	7.5	36.7	73.4	44	130	32	41.2
	1/2"	HY-HP3BV-1/2	10	7.5	41.5	83	44	130	32	46
	1/2"	HY-HP3BV-1/2	14	10	47.5	95	48	145	41	54
	3/4"	HY-HP3BV-3/4	14	10	47.5	95	48	145	41	54
	3/4"	HY-HP3BV-3/4	19	30	48.1	96.2	53	160	50	58.6
	1"	HY-HP3BV-1	19	30	52.9	105.8	53	160	50	63.4
Male NPT	1/4"	HY-HP3BVM-1/4	10	3.7	41.7	83.4	44	130	32	46.2
	3/8"	HY-HP3BVM-3/8	10	7.2	41.7	83.4	44	130	32	46.2
	1/2"	HY-HP3BVM-1/2	10	7.5	46.5	93	44	130	32	51
	1/2"	HY-HP3BVM1-1/2	14	10	51	102	48	145	41	57.5
	3/4"	HY-HP3BVM-3/4	14	10	51	102	48	145	41	57.5
	3/4"	HY-HP3BVM1-3/4	19	19	56.5	113	53	160	50	67

Wenzhou Huiyi Valve Technology Co.,Ltd

Add:No.2158,Binhai 1st Road,Economic and Technical Development Zone,Longwan Distric,Wenzhou City,Zhejiang Province,China
Tel:0086-577-86998027
Fax:0086-577-86998037
Mobile:0086-18057736259

Email: sales@huiyivalve.com info@huiyivalve.com

Contact Person: Tony Zhang Skype: angelzhang880108 , huiyivalve Wechat: huiyivalve

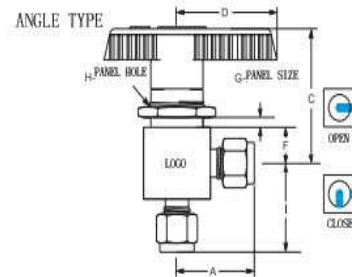
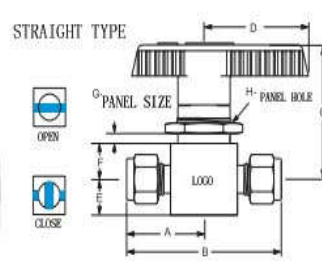
Website: <http://www.huiyivalve.com> Website in Alibaba: <http://huiyivalve.en.alibaba.com>

Wenzhou Huiyi Valve Technology Co.,Ltd

Add:No.2158,Binhai 1st Road,Economic and Technical Development Zone,Longwan Distric,
Wenzhou City,Zhejiang Province,China
Tel:0086-577-86998027 Fax:0086-577-86998037 Mobile:0086-18057736259

	1"	HY-HP3BVM-1	19	30	61.4	122.8	53	160	50	71.9
--	----	-------------	----	----	------	-------	----	-----	----	------

2 WAY OD BALL VALVE,MODEL NO.: Q91SAF



Feature

- Working Pressure:2000psi(136 bar)
- Working temperature:-53 degree C to 148 degree C(-65 degree F to 300 degree F)
- Material: stainless steel 316,brass and other specified material by customer
- Valve Seat: PTFE, RPTFE, UHMWPE
- Flow direction: straight type,3 way, 4 way,5 way,6 way and 7 way
- Connection Style: metric ferrules , inch metric , NPT thread, ISO/BSP thread
- Size: 1/8" to 3/4" , 3mm to 12mm

Connection		Ordering Number	Orifice (mm)	Cv		Size (mm)								
Inlet/Outlet	Size			Straight	Angle	A	B	C	D	E	F	G	H	I
Inch tube	1/16"	Q91SAF-1/16	1.3	0.1	0.08	20.8	41.6	37.3	30.0	7.5	8.6	4.4	15.1	20.0
	1/8"	Q91SAF-1/8	2.6	0.3	0.2	25.7	51.4	37.3	30.0	7.5	8.6	4.4	15.1	24.8
	1/4"	Q91SAF-1/4	2.6	0.3	0.2	28.1	56.2	37.3	30.0	7.5	8.6	4.4	15.1	27.3
		Q91SAF1-1/4	4.2	1.4	0.9	30.5	61.0	41.6	40.0	9.7	11.2	4.8	19.8	27.6
	3/8"	Q91SAF-3/8	4.2	1.5	0.9	32.0	64.0	41.6	40.0	9.7	11.2	4.8	19.8	29.1
		Q91SAF1-3/8	7.0	6.0	2.0	38.6	77.2	52.6	50.8	14.2	14.2	9.7	28.6	36.3
	1/2"	Q91SAF-1/2	10.0	12.0	4.6	49.8	99.6	61.7	76.2	17.5	17.5	9.7	38.1	44.2
3/4"	Q91SAF-3/4	10.0	6.4	3.8	49.8	99.6	61.7	76.2	17.5	17.5	9.7	38.1	44.2	
Metric tube	3mm	Q91SAF-3M	2.6	0.3	0.2	25.5	51.0	37.3	30.0	7.5	8.6	4.4	15.1	24.7
	6mm	Q91SAF-6M	2.6	0.3	0.2	28.0	56.0	37.3	30.0	7.5	8.6	4.4	15.1	27.2
		Q91SAF1-6M	4.2	1.4	0.9	30.5	61.0	41.6	40.0	9.7	11.2	4.8	19.8	27.5
	8mm	Q91SAF-8M	4.2	1.5	0.9	31.2	62.4	41.6	40.0	9.7	11.2	4.8	19.8	28.4
	10mm	Q91SAF-10M	4.2	1.6	0.9	32.2	64.4	41.6	40.0	9.7	11.2	4.8	19.8	29.4
Q91SAF1-10M		7.0	6.0	2.0	38.9	77.8	52.6	50.8	14.2	14.2	9.7	28.6	36.3	

Wenzhou Huiyi Valve Technology Co.,Ltd

Add:No.2158,Binhai 1st Road,Economic and Technical Development Zone,Longwan Distric,Wenzhou City,Zhejiang Province,China
Tel:0086-577-86998027
Fax:0086-577-86998037
Mobile:0086-18057736259

Email: sales@huiyivalve.com info@huiyivalve.com

Contact Person: Tony Zhang Skype: angelzhang880108 , huiyivalve Wechat: huiyivalve

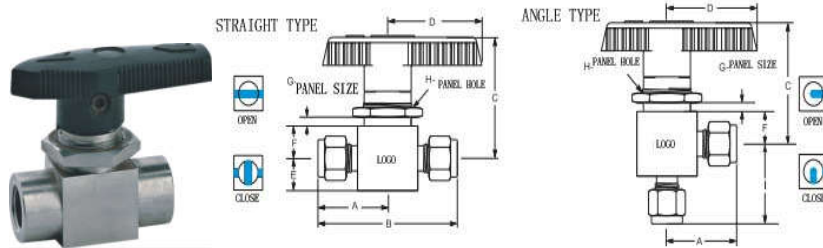
Website: <http://www.huiyivalve.com> Website in Alibaba: <http://huiyivalve.en.alibaba.com>

Wenzhou Huiyi Valve Technology Co.,Ltd

Add:No.2158,Binhai 1st Road,Economic and Technical Development Zone,Longwan Distric,
Wenzhou City,Zhejiang Province,China
Tel:0086-577-86998027 Fax:0086-577-86998037 Mobile:0086-18057736259

12mm	Q91SAF-12M	10.0	12.0	4.6	49.8	99.6	61.7	76.2	17.5	17.5	9.7	38.1	44.2
------	------------	------	------	-----	------	------	------	------	------	------	-----	------	------

2 WAY FEMALE THREAD BALL VALVE,MODEL NO.: Q11SAF



Feature

- Working Pressure:2000psi(136 bar)
- Working temperature:-53 degree C to 148 degree C(-65 degree F to 300 degree F)
- Material: stainless steel 316,brass and other specified material by customer
- Valve Seat: PTFE, RPTFE, UHMWPE
- Flow direction: straight type,3 way, 4 way,5 way,6 way and 7 way
- Connection Style: metric ferrules , inch metric , NPT thread, ISO/BSP thread
- Size: 1/8" to 1-1/2"
- Thread: NPT,BSPT,BSPP

Connection		Ordering Number	Orifice (mm)	Cv		Size (mm)								
Inlet/Outlet	Size			Straight	Angle	A	B	C	D	E	F	G	H	I
Female NPT	1/8"	Q11SAF-1/8	2.6	0.25	0.15	20.6	41.2	37.3	30.0	7.5	8.6	4.4	15.1	19.9
		Q11SAF1-1/8	4.2	1.2	0.7	23.1	46.2	41.6	40.0	9.7	11.2	4.8	19.8	20.2
	1/4"	Q11SAF-1/4	4.2	0.9	0.75	24.5	49.0	41.6	40.0	9.7	11.2	4.8	19.8	22.2
		Q11SAF1-1/4	7.0	3.0	1.7	31.8	63.6	52.6	50.8	14.2	14.2	9.7	28.6	31.2
	3/8"	Q11SAF-3/8	7.0	2.6	1.5	31.8	63.6	52.6	50.8	14.2	14.2	9.7	28.6	31.2
	1/2"	Q11SAF1-1/2	10.0	6.3	3.5	49.8	99.6	61.7	76.2	17.5	17.5	9.7	38.1	39.6
Male NPT	1/4"	Q11SAF-1/4	4.0	1.2	0.75	25.5	51.0	41.6	40.0	9.7	11.2	4.8	19.8	22.2

3 WAY OD BALL VALVE,MODEL NO.: Q94SAF

Wenzhou Huiyi Valve Technology Co.,Ltd

Add:No.2158,Binhai 1st Road,Economic and Technical Development Zone,Longwan Distric,Wenzhou City,Zhejiang Province,China

Tel:0086-577-86998027

Fax:0086-577-86998037

Mobile:0086-18057736259

Email: sales@huiyivalve.com info@huiyivalve.com

Contact Person: Tony Zhang Skype: angelzhang880108 , huiyivalve Wechat: huiyivalve

Website: <http://www.huiyivalve.com> Website in Alibaba: <http://huiyivalve.en.alibaba.com>

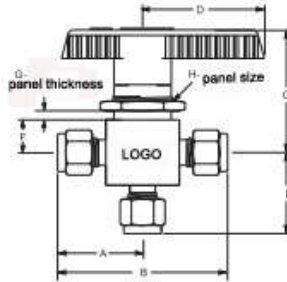
Wenzhou Huiyi Valve Technology Co.,Ltd

Add:No.2158,Binhai 1st Road,Economic and Technical Development Zone,Longwan Distric,
Wenzhou City,Zhejiang Province,China

Tel:0086-577-86998027

Fax:0086-577-86998037

Mobile:0086-18057736259



Feature

- Working Pressure:1000psi(68.9 bar)
- Working temperature:-53 degree C to 148 degree C(-65 degree F to 300 degree F)
- Material: stainless steel 316,brass and other specified material by customer
- Valve Seat: PTFE, RPTFE, UHMWPE
- Flow direction: straight type,3 way, 4 way,5 way,6 way and 7 way
- Connection Style: metric ferrules , inch metric , NPT thread, ISO/BSP thread
- Size: 1/8" to 3/4" , 3mm to 12mm

Connection		Ordering Number	Orifice (mm)	Cv	Size (mm)							
Inlet/Outlet	Size				A	B	C	D	F	G	H	I
Inch tube	1/16"	Q94SAF-1/16	1.3	0.08	20.8	41.6	37.3	30.0	8.6	4.4	15.1	20.0
	1/8"	Q94SAF-1/8	2.6	0.2	25.7	51.4	37.3	30.0	8.6	4.4	15.1	24.8
	1/4"	Q94SAF-1/4	2.6	0.2	28.1	56.2	37.3	30.0	8.6	4.4	15.1	27.3
		Q94SAF1-1/4	4.2	0.9	30.5	61.0	41.6	40.0	11.2	4.8	19.8	27.6
	3/8"	Q94SAF-3/8	4.2	0.9	32.0	64.0	41.6	40.0	11.2	4.8	19.8	29.1
	1/2"	Q94SAF-1/2	10.0	4.6	44.2	88.4	61.7	76.2	17.5	9.7	38.1	44.2
	3/4"	Q94SAF-3/4	10.0	3.8	44.2	88.4	61.7	76.2	17.5	9.7	38.1	44.2
Metric tube	3mm	Q94SAF-3M	2.6	0.2	25.7	51.4	37.3	30.0	8.6	4.4	15.1	24.7
	6mm	Q94SAF-6M	2.6	0.2	27.9	55.8	37.3	30.0	8.6	4.4	15.1	27.2
		Q94SAF1-6M	4.2	0.9	30.5	61.0	41.6	40.0	11.2	4.8	19.8	27.5
	8mm	Q94SAF-8M	4.2	0.9	31.2	62.4	41.6	40.0	11.2	4.8	19.8	28.4
	10mm	Q94SAF-10M	4.2	0.9	32.2	64.4	41.6	40.0	11.2	4.8	19.8	29.4
	12mm	Q94SAF-12M	10.0	4.6	42.2	88.4	61.7	76.2	17.5	9.7	38.1	44.2

3 WAY FEMALE THREAD BALL VALVE, MODEL NO.:Q14SAF

Wenzhou Huiyi Valve Technology Co.,Ltd

Add:No.2158,Binhai 1st Road,Economic and Technical Development Zone,Longwan Distric,Wenzhou City,Zhejiang Province,China

Tel:0086-577-86998027

Fax:0086-577-86998037

Mobile:0086-18057736259

Email: sales@huiyivalve.com info@huiyivalve.com

Contact Person: Tony Zhang Skype: angelzhang880108 , huiyivalve Wechat: huiyivalve

Website: <http://www.huiyivalve.com> Website in Alibaba: <http://huiyivalve.en.alibaba.com>

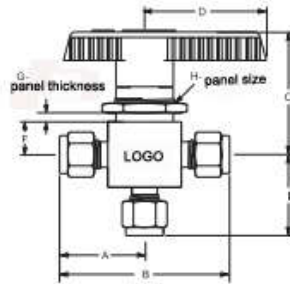
Wenzhou Huiyi Valve Technology Co.,Ltd

Add:No.2158,Binhai 1st Road,Economic and Technical Development Zone,Longwan Distric,
Wenzhou City,Zhejiang Province,China

Tel:0086-577-86998027

Fax:0086-577-86998037

Mobile:0086-18057736259



Feature

- Working Pressure:2000psi(136 bar)
- Working temperature:-53 degree C to 148 degree C(-65 degree F to 300 degree F)
- Material: stainless steel 316,brass and other specified material by customer
- Valve Seat: PTFE, RPTFE, UHMWPE
- Flow direction: straight type,3 way, 4 way,5 way,6 way and 7 way
- Connection Style: metric ferrules , inch metric , NPT thread, ISO/BSP thread
- Size: 1/8" to 1-1/2"
- Thread: NPT,BSPT,BSPP

Connection		Ordering Number	Orifice (mm)	Cv	Size (mm)							
Inlet/Outlet	Size				A	B	C	D	F	G	H	I
Female NPT	1/8"	Q14SAF-1/8	2.6	0.15	20.6	41.2	37.3	30.0	8.6	4.4	15.1	19.9
	1/4"	Q14SAF-1/4	4.2	0.75	24.5	49.0	41.6	40.0	11.2	4.8	19.8	22.2
		Q14SAF1-1/4	7.0	1.7	31.8	63.6	52.6	50.8	14.2	9.7	28.6	31.8
	3/8"	Q14SAF1-3/8	7.0	1.5	31.8	63.6	52.6	50.8	14.2	9.7	28.6	31.8
	1/2"	Q14SAF-1/2	10.0	3.5	39.6	79.2	61.7	76.2	17.5	9.7	38.1	39.6

RELIEF VALVE

Wenzhou Huiyi Valve Technology Co.,Ltd

Add:No.2158,Binhai 1st Road,Economic and Technical Development Zone,Longwan Distric,Wenzhou City,Zhejiang Province,China

Tel:0086-577-86998027

Fax:0086-577-86998037

Mobile:0086-18057736259

Email: sales@huiyivalve.com info@huiyivalve.com

Contact Person: Tony Zhang Skype: angelzhang880108 , huiyivalve Wechat: huiyivalve

Website: <http://www.huiyivalve.com> Website in Alibaba: <http://huiyivalve.en.alibaba.com>

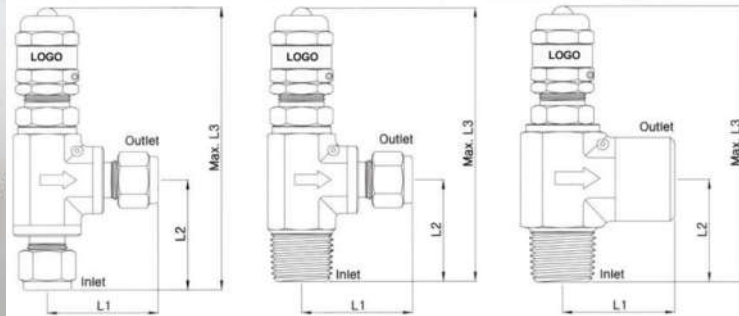
Wenzhou Huiyi Valve Technology Co.,Ltd

Add:No.2158,Binhai 1st Road,Economic and Technical Development Zone,Longwan Distric,
Wenzhou City,Zhejiang Province,China

Tel:0086-577-86998027

Fax:0086-577-86998037

Mobile:0086-18057736259



RV1 Series Low Pressure Relief Valve	High Pressure Relief Valve RV2 Series
<p>Technical Date</p> <ul style="list-style-type: none"> • Cracking Pressure Range : 10~250psig to atmosphere • Max.Working Pressure : 300psig • Operating Temperature Range : -10°F~-400°F(-23°C~204°C) • Orifice Size : 4.8mm(0.19in) • One Spring adjustable over entire cracking pressure range. blue - color spring standard • Cracking Pressure is affected by the outlet pressure 	<ul style="list-style-type: none"> • Cracking Pressure Range : 225~6000psig to atmosphere • Max.Working Pressure : 6000psig • Operating Temperature Range : -10°F~-400°F(-23°C~204°C) • Orifice Size : 4.8mm(0.19in) • Various Springs are available as below mentioned. • Cracking Pressure is not affected by the outlet pressure.

RELIEF VALVE

Wenzhou Huiyi Valve Technology Co.,Ltd

Add:No.2158,Binhai 1st Road,Economic and Technical Development Zone,Longwan Distric,Wenzhou City,Zhejiang Province,China

Tel:0086-577-86998027

Fax:0086-577-86998037

Mobile:0086-18057736259

Email: sales@huiyivalve.com info@huiyivalve.com

Contact Person: Tony Zhang Skype: angelzhang880108 , huiyivalve Wechat: huiyivalve

Website: <http://www.huiyivalve.com> Website in Alibaba: <http://huiyivalve.en.alibaba.com>

Wenzhou Huiyi Valve Technology Co.,Ltd

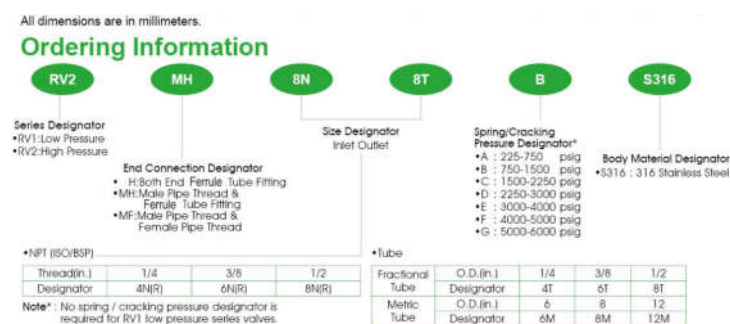
Add:No.2158,Binhai 1st Road,Economic and Technical Development Zone,Longwan Distric,
Wenzhou City,Zhejiang Province,China
Tel:0086-577-86998027 Fax:0086-577-86998037 Mobile:0086-18057736259

Feature

- Working Pressure:3000psi(207 bar)
- Working temperature:-53 degree C to 148 degree C(-65 degree F to 300 degree F)
- Material: stainless steel 316,brass and other specified material by customer
- Valve Seat: PTFE, RPTFE, UHMWPE
- Flow direction: angle type
- Connection Style: metric ferrules , inch metric , NPT thread, ISO/BSP thread
- Size: 1/8" to 1
- Thread: NPT,BSPT,BSPP

Part No.			Orifice	End Connection		Dimensions		
				Inlet	Outlet	L1	L2	L3
RV1 or RV2	H	-4 T-	4.8	1/4"OD	1/4"OD	38.7	37.3	104.6
	H	-6M-		6mm	6mm			
	H	-8M-		8mm	8mm			
	H	-8 T-	46.7	1/2"OD	1/2"OD	46.7	114.0	
	H	-12M-		12mm	12mm			
	MH	-8N8T-	35.7	1/2"MNPT	1/2"OD	103.0		
	MH	-8N12M-		1/2"MNPT	12mm			
	MF	-4 N-	30.0	1/4"MNPT	1/4"FNPT	32.2	99.5	
	MF	-6 N-		3/8"MNPT	3/8"FNPT			
	MF	-8 N-		1/2"MNPT	1/2"FNPT			38.0

All dimensions are in millimeters.



FORGING STEEL GLOBE VALVE

Wenzhou Huiyi Valve Technology Co.,Ltd

Add:No.2158,Binhai 1st Road,Economic and Technical Development Zone,Longwan Distric,Wenzhou City,Zhejiang Province,China
Tel:0086-577-86998027
Fax:0086-577-86998037
Mobile:0086-18057736259

Email: sales@huiyivalve.com info@huiyivalve.com

Contact Person: Tony Zhang Skype: angelzhang880108 , huiyivalve Wechat: huiyivalve

Website: <http://www.huiyivalve.com> Website in Alibaba: <http://huiyivalve.en.alibaba.com>

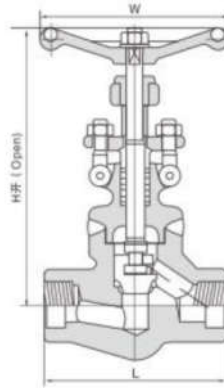
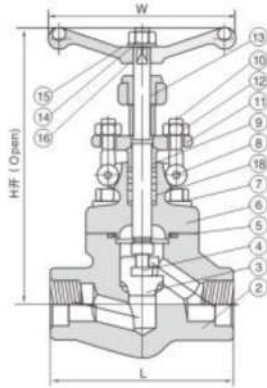
Wenzhou Huiyi Valve Technology Co.,Ltd

Add:No.2158,Binhai 1st Road,Economic and Technical Development Zone,Longwan Distric,
Wenzhou City,Zhejiang Province,China

Tel:0086-577-86998027

Fax:0086-577-86998037

Mobile:0086-18057736259



Feature

- Working Pressure:300LB,600LB,900 LB,1200LB,1500LB
- Working temperature:-53 degree C to 148 degree C(-65 degree F to 300 degree F)
- Material: SS304, SS316, A105
- Valve Seat: PTFE, RPTFE, UHMWPE
- Flow direction: STRAIGHT
- Connection Style: FEMALE THREAD,SOCKET WELD,BUTT WELD
- THREAD: NPT,BSPP,BSPT
- Size: 1/2" to 4" , DN15 to DN100

规格				S				L	T				W	H(开)	重量 (kg)		
英制		公制		ANSI		JIS			ANSI 牙型 60 (NPT)		JIS. ISC. 55 牙型 55 (PC)				H(开)	重量 (kg)	
缩径	全径	缩径	全径	缩径	全径	缩径	全径		缩径	全径	缩径	全径				缩径	全径
3/8		10		17.6		17.9		79	3/8		3/8		100	153	1.9		
1/2	3/8	15	10	21.8	17.6	22.2	17.9	79	1/2	3/8	1/2	3/8	100	158	1.9	2.1	
3/4	1/2	20	15	27.1	21.8	27.7	22.2	92	3/4	1/2	3/4	1/2	100	192	2.1	2.3	
1	3/4	25	20	33.8	27.1	34.5	27.7	111	1	3/4	1	3/4	125	252	3.3	3.6	
1 1/4	1	32	25	42.6	33.8	43.2	34.5	120	1 1/4	1	1 1/4	1	160	252	7.5	7.8	
1 1/2	1 1/4	40	32	48.7	42.6	49.1	43.2	152	1 1/2	1 1/4	1 1/2	1 1/4	160	289	7.5	8.2	
2	1 1/2	50	40	61.1	48.7	61.1	49.1	172	2	1 1/2	2	1 1/2	180	330	11.4	12.0	
	2		50		61.1		61.1	200		2		2	240	370	14.6	15.0	

DOUBLE FERRULES MINI NEEDLE VALVE

Wenzhou Huiyi Valve Technology Co.,Ltd

Add:No.2158,Binhai 1st Road,Economic and Technical Development Zone,Longwan Distric,Wenzhou City,Zhejiang Province,China

Tel:0086-577-86998027

Fax:0086-577-86998037

Mobile:0086-18057736259

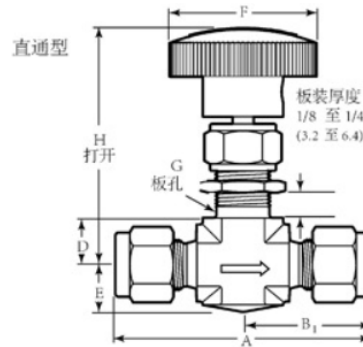
Email: sales@huiyivalve.com info@huiyivalve.com

Contact Person: Tony Zhang Skype: angelzhang880108 , huiyivalve Wechat: huiyivalve

Website: <http://www.huiyivalve.com> Website in Alibaba: <http://huiyivalve.en.alibaba.com>

Wenzhou Huiyi Valve Technology Co.,Ltd

Add:No.2158,Binhai 1st Road,Economic and Technical Development Zone,Longwan Distric,
Wenzhou City,Zhejiang Province,China
Tel:0086-577-86998027 Fax:0086-577-86998037 Mobile:0086-18057736259



Dimension Table

Connection		Cv	Orifice mm	Dimensions(mm)						
Inlet/Outlet	Size			A	B1	D	E	F	G	H
Imperial size double ferrules needle valve	1/8	0.09	2.0	49.3	24.9	11.2	7.9	25.4	11.9	57.9
	1/4	0.37	4.4	57.6	28.7	11.2	9.7	35.1	13.5	63.5
	3/8	0.73	6.4	65.5	32.8	14.0	12.7	47.8	19.8	75.4
	1/2			71.1	35.6	14.0	12.7	47.8	19.8	75.4
	1/2	1.8	9.5	96.5	48.3	19.1	19.1	76.2	26.2	99.3
3/4	96.5			48.3	19.1	19.1	76.2	26.2	99.3	
Metric size double ferrules needle valve	3mm	0.09	2	49.3	24.9	11.2	7.9	25.4	12.2	57.9
	6mm	0.37	4.4	57.6	28.7	11.2	9.7	35.1	13.5	63.5
	8mm		4.4	59.4	29.7	11.2	9.7	35.1	13.5	63.5
	10mm	0.73	6.4	66.0	33.0	14.0	12.7	47.8	19.8	75.4
	12mm		6.4	71.1	35.6	14.0	12.7	47.8	19.8	75.4
	12mm	1.80	9.5	96.5	48.3	19.1	19.1	76.2	26.2	99.3
	18mm		9.5	96.5	48.3	19.1	19.1	76.2	26.2	99.3

Specification Sheet

- Material: SS304 , SS316
- Working Pressure: max 6000 psig(413 bar)
- Working Temperature:-65 degree F to 850 degree F(-53 degree C to 455 degree C)
- Connection Style: double ferrules
- Size: 1/8" to 3/4", 3mm to 19.1mm
- Packing: PTFE, RPTFE, PEEK, graphite and others

DOUBLE FERRULES MINI NEEDLE VALVE

Wenzhou Huiyi Valve Technology Co.,Ltd

Add:No.2158,Binhai 1st Road,Economic and Technical Development Zone,Longwan Distric,Wenzhou City,Zhejiang Province,China

Tel:0086-577-86998027

Fax:0086-577-86998037

Mobile:0086-18057736259

Email: sales@huiyivalve.com info@huiyivalve.com

Contact Person: Tony Zhang Skype: angelzhang880108 , huiyivalve Wechat: huiyivalve

Website: <http://www.huiyivalve.com> Website in Alibaba: <http://huiyivalve.en.alibaba.com>

Wenzhou Huiyi Valve Technology Co.,Ltd

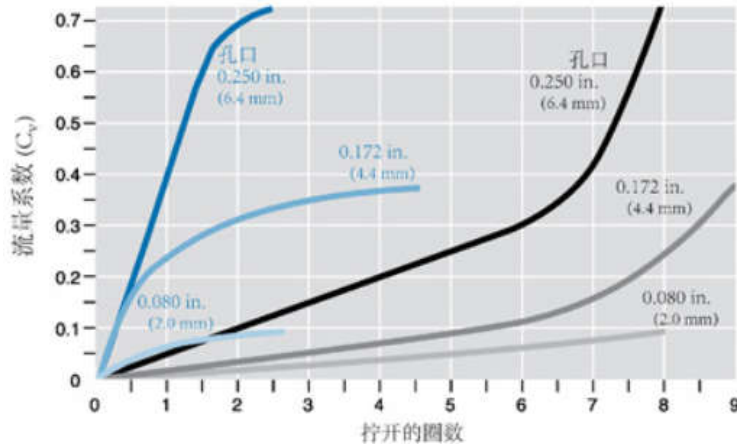
Add:No.2158,Binhai 1st Road,Economic and Technical Development Zone,Longwan Distric,
Wenzhou City,Zhejiang Province,China

Tel:0086-577-86998027

Fax:0086-577-86998037

Mobile:0086-18057736259

Cv and Circle No. of handle opening



Material of Main Parts

No.	Part Name	Material
1	Body	SS304 , SS316
2	Handle	Plastic , Iron
3	Packing nut	SS201 , SS304 , SS316
4	Panel mounting	SS201 , SS304 , SS316
5	Packing	PTFE , VITON , Graphite , Cooper gasket
6	Stem	SS201 , SS304 , SS316

Wenzhou Huiyi Valve Technology Co.,Ltd

Add:No.2158,Binhai 1st Road,Economic and Technical Development Zone,Longwan Distric,Wenzhou City,Zhejiang Province,China

Tel:0086-577-86998027

Fax:0086-577-86998037

Mobile:0086-18057736259

Email: sales@huiyivalve.com info@huiyivalve.com

Contact Person: Tony Zhang Skype: angelzhang880108 , huiyivalve Wechat: huiyivalve

Website: <http://www.huiyivalve.com> Website in Alibaba: <http://huiyivalve.en.alibaba.com>