



# Wenzhou Huiyi Valve and Fittings Co.,Ltd

ADD:No.2158,Binhai 1<sup>st</sup> Road,Economic and Technical Development Zone,Longwan District,Wenzhou City,Zhejiang Province,China. Zip Code: 325025 Email: sales@huiyivalve.com  
Tel: 0086-577-86998027 Fax: 0086-577-86998037 Mobile: 0086-18057736259

Wenzhou Huiyi Valve and Fittings Co.,Ltd is an exporter in Wenzhou City,Zhejiang Province,China.We have three factories in Wenzhou,which mainly produce tube fittings and valves,and we have been in this field for over 20 years,now there are 120 workers in our company,there are 50 experienced top mangement and engineers,we have our own development team and research team,most of our products are designed by ourselves,and some of them are designed as per customers' requirements.Our products have been exported to many countries.

## Main products:

**Tube fittings:**compression tube fittings,double ferrules tube fittings,hydraulic connector,pneumatic connector,forging steel tube fittings,casting steel tube fittings.The tube fittings can be made of different materials.

**Valves:**needle valve,ball valve,gate valve,check valve,globe valve,gauge valve,instrumentation valve,butterfly valve, valve manifold.The size is from DN6 to DN1200,the working pressure is 0-10000PSI,the working temperature is -180 degree to 580 degree,our valves could be made of stainless steel,carbon steel,brass,cast iron,alloy,duplex stainless steel,monel.The packing material are PTFE,graphite,NBR,EPDM,Viton,which can meet different customers' requirements.

If you are interested in our products,please feel free to contact us,we are looking forward to establishing a long term business relationship with you for our mutual benefits



## Wenzhou Huiyi Valve and Fittings Co.,Ltd

Add:No.2158,Binhai 1st Road,Economic and Technical Development Zone,Longwan Distric,Wenzhou City,Zhejiang Province,China

Tel:0086-577-86998027

Fax:0086-577-86998037

Mobile:0086-18057736259

Email: [sales@huiyivalve.com](mailto:sales@huiyivalve.com) [info@huiyivalve.com](mailto:info@huiyivalve.com)

Contact Person: Tony Zhang

Skype: huiyivalve

Weheat: huiyivalve

Website: <http://www.huiyivalve.com/>

<https://huiyivalve.en.alibaba.com/>

<https://huiyivalve.en.made-in-china.com/>



## What are compression fittings ?

**Compression fittings** are used in plumbing and electrical conduit systems to join two tubes or thin-walled pipes together. In instances where two pipes made of dissimilar materials are to be joined , the fittings will be made of one or more compatible materials appropriate for the connection. **Compression fittings** for attaching tubing (piping) commonly have ferrules in them.

**Compression fittings** are also used extensively for hot and cold water faucets (taps) and toilet stop valves; **compression fittings** are well suited to this application, as these valves are usually located in confined spaces where stainless pipe would be difficult to solder without creating a fire hazard. Also, the fittings allow easy disconnection and reconnection.

## Advantages

**Compression fittings** are popular because they do not require soldering, so they are comparatively quick and easy to use. They require no special tools or skills to operate. They work at higher pressures and with toxic gases. **Compression fittings** are especially useful in installations that may require occasional disassembly or partial removal for maintenance etc., since these joints can be broken and remade without affecting the integrity of the joint. They are also used in situations where a heat source, in particular a soldering torch, is prohibited, or where it is difficult to remove remains of water from inside the pipe which prevent the pipe heating up to allow soldering.

## Disadvantages

**Compression fittings** are not as robust as soldered fittings. They are typically used in applications where the fitting will not be disturbed and not subjected to flexing or bending. A soldered joint is highly tolerant of flexing and bending (such as when pipes knock or shake from sudden pressure changes). **Compression fittings** are much more sensitive to these type of dynamic stresses. They are also bulkier, and may be considered less aesthetically pleasing than a neatly soldered joint. Compression fittings work best when tightened once and not disturbed. Some compression connectors may never be reused, such as a ferrule ring type. It can never be reused once they have been compressed. This connector is directly placed over the pipe and the nut is tightened compressing the ferrule between the pipe and the body of the fitting. Compression of this ferrule also results in deformation of the copper tubing. If a compression type connection needs to be redone, more often than not the compressed copper/ferrule would need to be cut off and a new ferrule is to be used on a clean non-compressed piece of pipe end. This is to assure a leak proof sound connection.

### Wenzhou Huiyi Valve and Fittings Co.,Ltd

Add:No.2158,Binhai 1st Road,Economic and Technical Development Zone,Longwan Distric,Wenzhou City,Zhejiang Province,China

Tel:0086-577-86998027

Fax:0086-577-86998037

Mobile:0086-18057736259

Email: [sales@huiyivalve.com](mailto:sales@huiyivalve.com) [info@huiyivalve.com](mailto:info@huiyivalve.com)

Contact Person: Tony Zhang

Skype: huiyivalve

Wechat: huiyivalve

Website: <http://www.huiyivalve.com/>

<https://huiyivalve.en.alibaba.com/>

<https://huiyivalve.en.made-in-china.com/>

## Cautions:

- ⦿ Do not loosen or tighten fittings when the system is pressurized.
- ⦿ Make sure that the tubing rests firmly on the shoulder of the port.
- ⦿ Always leave enough straight length of the tubing for the fittings.
- ⦿ Always use an insert for extremely soft plastic tubing.
- ⦿ The allowable working pressure of the tube fitting is rated to the maximum working pressure of the corresponding tubing, which can be found in Huiyi tubing data sheet. For those which can not be found in Huiyi tubing data sheet, please contact the authorized representatives or Huiyi Company for related information.
- ⦿ Keep the tubing end and surface clean and smooth.
- ⦿ Always use proper thread sealants on tapered pipe threads. Make sure that its working temperature does not exceed that of the sealants.
- ⦿ When assembling the tube fitting, hold the body with a wrench and turn the nut instead of holding the nut.
- ⦿ When installing a valve with tube fitting end, hold the valve body with a wrench and turn the nut.
- ⦿ When assembling the fitting to a valve with thread, hold the valve body with a wrench and turn the body of the fitting.



## Instructions

### Tube Fitting

#### Installation

For 1 in. (25 mm) and Under Fittings

1. Insert the tube into the tube fitting, make sure the tube rests firmly on the shoulder of the fitting body, and then rotate the nut finger tight. Fig. 1 High-Pressure Applications and High Safety-Factor Systems: Further tighten the nut until the tubing will not turn by hand or move axially in the fitting.
2. Mark the nut at the 6 o'clock position. Fig. 2
3. While holding fitting body steady, tighten the nut one and one-quarter turns to the 9 o'clock position. Fig. 3 For 1/16, 1/8, and 3/16 in.; 2, 3, and 4 mm tube fittings, tighten the nut three-quarters turn to the 3 o'clock position.



Fig. 1



Fig. 2



Fig. 3

Over 1 in. (25mm) Fittings

1. Use Hydraulic Presetting Tool to install the ferrules onto the tube, please refer to the instruction of Hydraulic Presetting Tool for details.
2. Insert the preset tubing with ferrules and nut into the body of fitting, finger tight.
3. Tighten the nut one-half turn with wrench.

#### Gaugeability

On initial installation, the Huiyi gap inspection gauge assures the installer or inspector that a fitting has been sufficiently tightened. Position the Huiyi gap inspection gauge next to the gap between the nut and body.

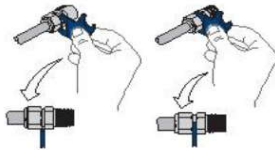


Fig. 4

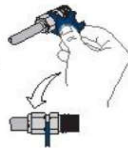


Fig. 5

- ⊙ If the gauge will not enter the gap, the fitting is sufficiently tightened. Fig. 4
- ⊙ If the gauge will enter the gap, additional tightening is required. Fig. 5

#### Reassembly

You can disassemble and reassemble Huiyi tube fittings many times.

1. Prior to disassembly, mark the tube on the back of the nut; mark a line along the nut and fitting body flats. Fig. 6 Use these marks to ensure you will rotate the nut back to the previously pulled up position.
2. Insert tubing with preset ferrules into the fitting body until the front ferrule seats. Fig. 6
3. While holding the fitting body steady, rotate the nut with a wrench to the previously pulled-up position as indicated by the marks on the tube and the flats; at this point, you will feel a significant increase in resistance. Fig. 7
4. Tighten the nut slightly with a wrench.



Fig. 6



Fig. 7

- ▲ Do not use the Huiyi gap inspection gauge with reassembled fittings.

## Plugs and Port Connectors

#### Installation

1. While holding the fitting body steady, tighten the plug and the machined ferrule end of port connector one-quarter turn from the finger-tight position. Fig. 8 & Fig. 9 For 1/16, 1/8, and 3/16 in.; 2, 3, and 4 mm tube fittings, tighten the plug and the machined ferrule end of port connector one-eighth turn. For over 1 in. and over 25 mm tube fittings, tighten the plug and the machined ferrule end of port connector one-quarter turn.

#### Wenzhou Huiyi Valve and Fittings Co.,Ltd

Add:No.2158,Binhai 1st Road,Economic and Technical Development Zone,Longwan Distric,Wenzhou City,Zhejia  
 Tel:0086-577-86998027 Fax:0086-577-86998037 Mobile:0086-18057736259

Email: [sales@huiyivalve.com](mailto:sales@huiyivalve.com) [info@huiyivalve.com](mailto:info@huiyivalve.com)

Contact Person: Tony Zhang

Skype: huiyivalve

Wechat: huiyivalve

Website: <http://www.huiyivalve.com/>

<https://huiyivalve.en.alibaba.com/>

<https://huiyivalve.en.made-in-china.com/>





2. For the tube adapter end of port connector, assemble as per Tube Fitting Installation on page 5. Fig. 10



Fig. 8



Fig. 9



Fig. 10

## Reassembly

1. Make subsequent connections by slightly tightening with a wrench after snugging the nut by hand.
2. For the tube adapter end of port connector, reassemble as stated in the tube fitting reassembly instructions on page 6.

## Presetting Tool

1. Install the nut and ferrules onto the presetting tool.
2. Insert tubing into the presetting tool, make sure the tube rests firmly on the shoulder of the presetting tool, then rotate the nut finger-tight.
3. Assemble the fitting as per Tube Fitting Installation on page 5. Fig. 11
4. Loosen the nut and insert the tubing with preset ferrules into the fitting body. Fig. 12
5. Reassemble as stated in the reassembly instructions. Fig. 13



Fig. 11



Fig. 12



Fig. 13

Over 1 in. (25 mm) sizes require use of a Hydraulic Presetting Tool to preset the ferrules onto the tubing.

### Wenzhou Huiyi Valve and Fittings Co.,Ltd

Add:No.2158,Binhai 1st Road,Economic and Technical Development Zone,Longwan Distric,Wenzhou

Tel:0086-577-86998027

Fax:0086-577-86998037

Mobile:0086-18057736259

Email: [sales@huiyivalve.com](mailto:sales@huiyivalve.com) [info@huiyivalve.com](mailto:info@huiyivalve.com)

Contact Person: Tony Zhang

Skype: huiyivalve

Wechat: huiyivalve

Website: <http://www.huiyivalve.com/>

<https://huiyivalve.en.alibaba.com/>

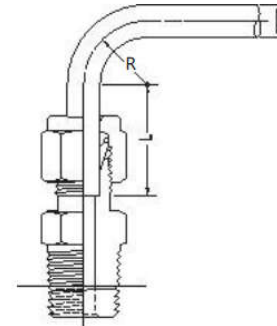
<https://huiyivalve.en.made-in-china.com/>

## Tubing Installation

Tubing properly selected and handled, combined with properly installed Huiyi tube fittings, will give you a leaktight system and provide reliable service in a wide variety of applications. For maximum assurance of reliable performance, use:

- ⊙ Properly selected and handled high-quality tubing—such as provided by Huiyi Company.
- ⊙ Huiyi tube fittings assembled in accordance with catalog instructions.
- ⊙ An appropriate tube support system to limit the movement of tubing and fluid system components.

When installing fittings near tube bends, there must be a sufficient straight length of tubing to allow the tube to be bottomed in the Huiyi fitting (see tables).



T Tube O.D.

L Required straight tube length (see tables)

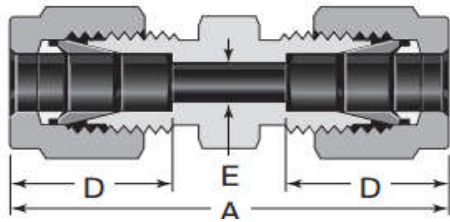
R Radius of tubing bend

Fractional, in.	
T Tube O.D.	L
1/16	1/2
1/8	23/32
3/16	3/4
1/4	13/16
5/16	7/8
3/8	15/16
1/2	1 3/16
5/8	1 1/4
3/4	1 1/4
7/8	1 5/16
1	1 1/2
1 1/4	2
1 1/2	2 13/32
2	3 1/4

Metric, mm	
T Tube O.D.	L
3	19
6	21
8	23
10	25
12	31
14	32
15	32
16	32
18	32
20	34
22	34
25	40
28	46
30	50
32	54
38	63
50	80



## UNION



**Dimension Table(fractional tube)**

MODEL NUMBER	TUBE OD (INCH)	DIMENSIONS(INCH)		
		A	D	E
HY-U-1/16	1/16	0.99	0.34	0.05
HY-U-1/8	1/8	1.40	0.50	0.09
HY-U-3/16	3/16	1.47	0.54	0.12
HY-U-1/4	1/4	1.61	0.60	0.19
HY-U-5/16	5/16	1.69	0.64	0.25
HY-U-3/8	3/8	1.77	0.66	0.28
HY-U-1/2	1/2	2.02	0.90	0.41
HY-U-5/8	5/8	2.05	0.96	0.50
HY-U-3/4	3/4	2.11	0.96	0.62
HY-U-7/8	7/8	2.17	1.02	0.72
HY-U-1	1	2.55	1.23	0.88

**Wenzhou Huiyi Valve and Fittings Co.,Ltd**

Add:No.2158,Binhai 1st Road,Economic and Technical Development Zone,Longwan Distric,Wenzhou City,Zhejiang Province,China

Tel:0086-577-86998027

Fax:0086-577-86998037

Mobile:0086-18057736259

Email: [sales@huiyivalve.com](mailto:sales@huiyivalve.com) [info@huiyivalve.com](mailto:info@huiyivalve.com)

Contact Person: Tony Zhang

Skype: huiyivalve

Weheat: huiyivalve

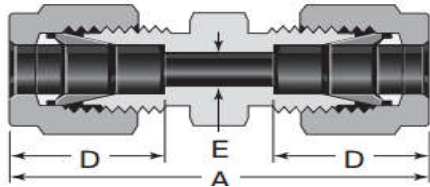
Website: <http://www.huiyivalve.com/>

<https://huiyivalve.en.alibaba.com/>

<https://huiyivalve.en.made-in-china.com/>



## UNION



Dimension Table(metric tube)

MODEL NUMBER	TUBE OD (MM)	DIMENSIONS(INCH)		
		A	D	E
HY-U-2M	2	35.60	12.90	1.70
HY-U-3M	3	35.30	12.90	2.40
HY-U-4M	4	37.30	13.70	2.40
HY-U-6M	6	41.00	15.30	4.80
HY-U-8M	8	43.20	16.20	6.40
HY-U-10M	10	46.20	17.20	7.90
HY-U-12M	12	51.20	22.80	9.50
HY-U-14M	14	52.00	24.40	11.10
HY-U-15M	15	52.00	24.40	11.90
HY-U-16M	16	52.00	24.40	12.70
HY-U-18M	18	53.50	24.40	15.10
HY-U-20M	20	55.00	26.00	15.90
HY-U-22M	22	55.00	26.00	18.30
HY-U-25M	25	65.00	31.30	21.80

**Wenzhou Huiyi Valve and Fittings Co.,Ltd**

Add:No.2158,Binhai 1st Road,Economic and Technical Development Zone,Longwan Distric,Wenzhou City,Zhejiang Province,China

Tel:0086-577-86998027

Fax:0086-577-86998037

Mobile:0086-18057736259

Email: [sales@huiyivalve.com](mailto:sales@huiyivalve.com) [info@huiyivalve.com](mailto:info@huiyivalve.com)

Contact Person: Tony Zhang

Skype: huiyivalve

Weheat: huiyivalve

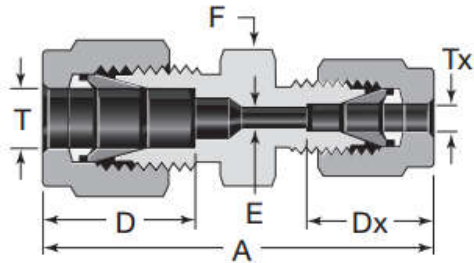
Website: <http://www.huiyivalve.com/>

<https://huiyivalve.en.alibaba.com/>

<https://huiyivalve.en.made-in-china.com/>



## REDUCING UNION



Dimension Table(metric tube to fractional tube)

MODEL NUMBER	TUBE OD		DIMENSIONS(MM)				
	T,MM	Tx,INCH	A	D	Dx	E	F
HY-RU-2M-1/8	2	1/8	35.20	12.90	12.80	1.70	12.00
HY-RU-2M-1/4		1/4	38.60		15.30		14.00
HY-RU-3M-1/8	3	1/8	35.20	12.90	12.80	2.40	12.00
HY-RU-4M-1/8	4	1/8	36.50	13.70	12.80	2.40	12.00
HY-RU-4M-1/4		1/4	39.40		15.30	2.40	14.00
HY-RU-6M-1/16	6	1/16	34.30	15.30	8.60	1.30	14.00
HY-RU-6M-1/8		1/8	38.50		12.80	2.40	14.00
HY-RU-6M-1/4		1/4	41.00		15.30	4.80	14.00
HY-RU-6M-5/16		5/16	42.30		16.20	4.80	14.00
HY-RU-6M-3/8	8	3/8	43.20	16.20	16.80	4.80	16.00
HY-RU-8M-1/4		1/4	42.30		15.30	4.80	15.00
HY-RU-8M-3/8	3/8	44.30	44.30	16.90	6.40	16.00	
HY-RU-10M-1/8	10	1/8	41.80	17.20	12.80	2.40	18.00
HY-RU-10M-1/4		1/4	44.50		15.30	4.80	
HY-RU-10M-5/16		5/16	45.10		16.20	6.40	
HY-RU-10M-3/8		3/8	45.90		16.90	7.10	
HY-RU-12M-1/4	12	1/4	47.00	22.80	15.30	4.80	22.00
HY-RU-12M-5/16		5/16	47.80		16.20	6.40	
HY-RU-12M-3/8		3/8	48.40		16.90	7.10	
HY-RU-12M-1/2		1/2	51.20		22.80	9.50	
HY-RU-15M-1/2	15	1/2	52.00	24.40	22.80	10.30	24.00
HY-RU-16M-5/8	16	5/8	52.00	24.40	24.40	12.70	24.00
HY-RU-18M-3/4	18	3/4	53.50	24.40	24.40	15.10	27.00
HY-RU-20M-1/2	20	1/2	55.00	26.00	22.80	10.30	30.00
HY-RU-20M-1		1	62.80		31.30	15.90	35.00
HY-RU-25M-1		25	1		65.00	31.30	31.30

**Wenzhou Huiyi Valve and Fittings Co.,Ltd**

Add:No.2158,Binhai 1st Road,Economic and Technical Development Zone,Longwan Distric,Wenzhou City,Zhejiang Province,China

Tel:0086-577-86998027

Fax:0086-577-86998037

Mobile:0086-18057736259

Email: [sales@huiyivalve.com](mailto:sales@huiyivalve.com) [info@huiyivalve.com](mailto:info@huiyivalve.com)

Contact Person: Tony Zhang

Skype: huiyivalve

Wechat: huiyivalve

Website: <http://www.huiyivalve.com/>

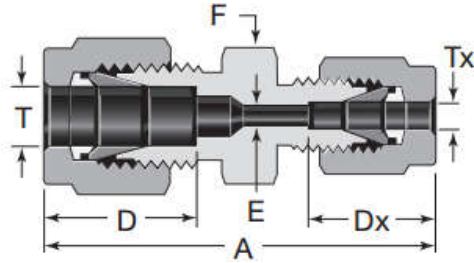
<https://huiyivalve.en.alibaba.com/>

<https://huiyivalve.en.made-in-china.com/>





## REDUCING UNION



**Dimension Table(fractional tube)**

MODEL NUMBER	TUBE OD		DIMENSIONS(INCH)			
	T,INCH	Tx,INCH	A	D	Dx	E
HY-RU-1/8-1/16	1/8	1/16	1.22	0.50	0.34	0.05
HY-RU-3/16-1/16	3/16	1/16	1.27	0.54	0.34	0.05
HY-RU-3/16-1/8		1/8	1.44		0.50	0.09
HY-RU-1/4-1/16	1/4	1/16	1.35	0.60	0.34	0.05
HY-RU-1/4-1/8		1/8	1.52		0.50	0.09
HY-RU-1/4-3/16		3/16	1.55		0.54	0.12
HY-RU-5/16-1/8	5/16	1/8	1.56	0.64	0.50	0.09
HY-RU-5/16-1/4		1/4	1.66		0.60	0.19
HY-RU-3/8-1/16	3/8	1/16	1.44	0.66	0.34	0.05
HY-RU-3/8-1/8		1/8	1.61		0.50	0.09
HY-RU-3/8-1/4		1/4	1.70		0.60	0.19
HY-RU-3/8-5/16		5/16	1.74		0.64	0.25
HY-RU-1/2-1/8	1/2	1/8	1.78	0.90	0.50	0.09
HY-RU-1/2-1/4		1/4	1.85		0.60	0.19
HY-RU-1/2-3/8		3/8	1.91		0.66	0.28
HY-RU-5/8-3/8	5/8	3/8	1.94	0.96	0.66	0.28
HY-RU-5/8-1/2		1/2	2.05		0.90	0.41
HY-RU-3/4-1/4	3/4	1/4	1.94	0.96	0.60	0.19
HY-RU-3/4-3/8		3/8	2.00		0.66	0.28
HY-RU-3/4-1/2		1/2	2.11		0.90	0.41
HY-RU-3/4-5/8		5/8	2.11		0.96	0.50
HY-RU-1-1/2	1	1/2	2.38	1.23	0.90	0.41
HY-RU-1-3/4		3/4			0.96	0.62

**Wenzhou Huiyi Valve and Fittings Co.,Ltd**

Add:No.2158,Binhai 1st Road,Economic and Technical Development Zone,Longwan Distric,Wenzhou City,Zhejiang Province,China

Tel:0086-577-86998027

Fax:0086-577-86998037

Mobile:0086-18057736259

Email: [sales@huiyivalve.com](mailto:sales@huiyivalve.com) [info@huiyivalve.com](mailto:info@huiyivalve.com)

Contact Person: Tony Zhang

Skype: huiyivalve

Weheat: huiyivalve

Website: <http://www.huiyivalve.com/>

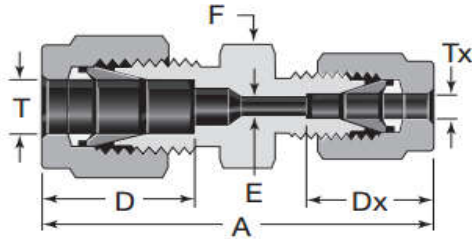
<https://huiyivalve.en.alibaba.com/>

<https://huiyivalve.en.made-in-china.com/>





## REDUCING UNION



Dimension Table(metric tube)

MODEL NUMBER	TUBE OD		DIMENSIONS(MM)			
	T,INCH	Tx,INCH	A	D	Dx	E
HY-RU-3M-2M	3	2	35.30	12.90	12.90	1.70
HY-RU-6M-2M	6	2	38.60	15.30	12.90	1.70
HY-RU-6M-3M		3	38.60		12.90	2.40
HY-RU-6M-4M		4	39.40		13.70	2.40
HY-RU-8M-6M	8	6	42.30	16.20	15.30	4.80
HY-RU-10M-6M	10	6	44.50	17.20	15.30	4.80
HY-RU-10M-8M		8	45.10		16.20	6.40
HY-RU-12M-6M	12	6	47.00	22.80	15.30	4.80
HY-RU-12M-8M		8	47.80		16.20	6.40
HY-RU-12M-10M		10	48.70		17.20	7.90
HY-RU-16M-10M	16	10	45.90	24.40	17.20	7.90
HY-RU-16M-12M		12	52.00		22.80	9.50
HY-RU-18M-12M	18	12	53.50	24.40	22.80	9.50
HY-RU-25M-18M	25	18	61.00	31.30	24.40	15.10
HY-RU-25M-20M		20	62.30		26.00	15.90

**Wenzhou Huiyi Valve and Fittings Co.,Ltd**

Add:No.2158,Binhai 1st Road,Economic and Technical Development Zone,Longwan Distric,Wenzhou City,Zhejiang Province,China

Tel:0086-577-86998027

Fax:0086-577-86998037

Mobile:0086-18057736259

Email: [sales@huiyivalve.com](mailto:sales@huiyivalve.com) [info@huiyivalve.com](mailto:info@huiyivalve.com)

Contact Person: Tony Zhang

Skype: huiyivalve

Weheat: huiyivalve

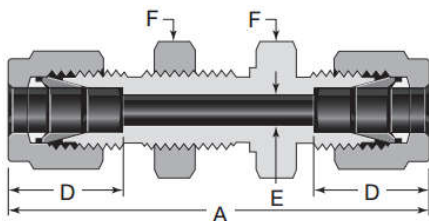
Website: <http://www.huiyivalve.com/>

<https://huiyivalve.en.alibaba.com/>

<https://huiyivalve.en.made-in-china.com/>



## BULKHEAD UNION



Dimension Table(fractional tube)

MODEL NUMBER	TUBE OD	DIMENSIONS(INCH)					
	T,INCH	A	D	E	F	DIAMETER OF PANEL HOLE	MAX THICKNESS OF PANEL
HY-BU-1/16	1/16	1.24	0.34	0.05	5/16	13/64	0.12
HY-BU-1/8	1/8	2.02	0.5	0.09	1/2	21/64	0.5
HY-BU-3/16	3/16	2.11	0.54	0.12	9/16	25/64	0.5
HY-BY-1/4	1/4	2.27	0.6	0.19	5/8	29/64	0.4
HY-BU-5/16	5/16	2.39	0.64	0.25	11/16	33/64	0.44
HY-BU-3/8	3/8	2.45	0.66	0.28	3/4	37/64	0.44
HY-BU-1/2	1/2	2.8	0.9	0.41	15/16	49/64	0.5
HY-BU-5/8	5/8	2.86	0.96	0.5	1-1/16	57/64	0.5
HY-BU-3/4	3/4	3.11	0.96	0.62	1-3/16	1-1/64	0.66
HY-BU-1	1	3.77	1.23	0.88	1-5/8	1-21/64	0.75

**Wenzhou Huiyi Valve and Fittings Co.,Ltd**

Add:No.2158,Binhai 1st Road,Economic and Technical Development Zone,Longwan Distric,Wenzhou City,Zhejiang Province,China

Tel:0086-577-86998027

Fax:0086-577-86998037

Mobile:0086-18057736259

Email: [sales@huiyivalve.com](mailto:sales@huiyivalve.com) [info@huiyivalve.com](mailto:info@huiyivalve.com)

Contact Person: Tony Zhang

Skype: huiyivalve

Weheat: huiyivalve

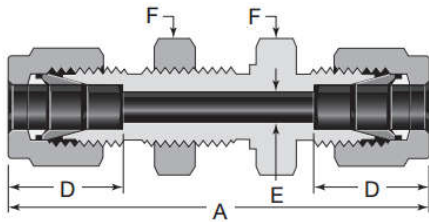
Website: <http://www.huiyivalve.com/>

<https://huiyivalve.en.alibaba.com/>

<https://huiyivalve.en.made-in-china.com/>



## BULKHEAD UNION



Dimension Table(metric tube)

MODEL NUMBER	TUBE OD	DIMENSIONS(MM)					
	T,MM	A	D	E	F	DIAMETER OF PANEL HOLE	MAX THICKNESS OF PANEL
HY-BU-3M	3	51.30	12.90	2.40	14	8.3	12.7
HY-BU-4M	4	53.60	13.70	2.40		9.9	
HY-BU-6M	6	57.70	15.30	4.80	16	11.5	10.2
HY-BU-8M	8	61.00	16.20	6.40	18	13.1	11.2
HY-BU-10M	10	63.70	17.20	7.90	22	16.3	
HY-BU-12M	12	71.00	22.80	9.50	24	19.5	12.7
HY-BU-14M	14	72.50	24.40	11.10	27	22.5	
HY-BU-15M	15	72.50	24.40	11.90		22.8	
HY-BU-16M	16	72.50	24.40	12.70			
HY-BU-18M	18	78.90	24.40	15.10	30	26	16.8
HY-BU-20M	20	84.50	26.00	15.90	35	29	19
HY-BU-25M	25	96.00	31.30	21.80	41	34	

**Wenzhou Huiyi Valve and Fittings Co.,Ltd**

Add:No.2158,Binhai 1st Road,Economic and Technical Development Zone,Longwan Distric,Wenzhou City,Zhejiang Province,China

Tel:0086-577-86998027

Fax:0086-577-86998037

Mobile:0086-18057736259

Email: [sales@huiyivalve.com](mailto:sales@huiyivalve.com) [info@huiyivalve.com](mailto:info@huiyivalve.com)

Contact Person: Tony Zhang

Skype: huiyivalve

Weheat: huiyivalve

Website: <http://www.huiyivalve.com/>

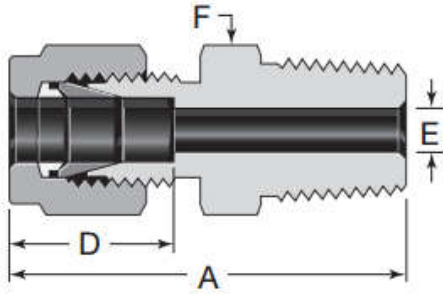
<https://huiyivalve.en.alibaba.com/>

<https://huiyivalve.en.made-in-china.com/>





## MALE CONNECTOR



### Dimension Table(fractional tube)

The thread could be customized as per Customers' request , NPT,BSPT, BSPP or other thread.

MODEL NUMBER	TUBE OD T,INCH	NPT SIZE	DIMENSIONS(INCH)			
			A	D	E	F
HY-MC-1/16-1/16	1/16	1/16	0.94	0.34	0.05	5/16
HY-MC-1/16-1/8		1/8	1.03			7/16
HY-MC-1/16-1/4		1/4	1.22			9/16
HY-MC-1/8-1/16	1/8	1/16	1.17	0.50	0.09	7/16
HY-MC-1/8-1/8		1/8	1.20			7/16
HY-MC-1/8-1/4		1/4	1.40			9/16
HY-MC-1/8-3/8		3/8	1.41			11/16
HY-MC-1/8-1/2		1/2	1.66			7/8
HY-MC-3/16-1/8	3/16	1/8	1.23	0.54	0.12	7/16
HY-MC-3/16-1/4		1/4	1.43			9/16
HY-MC-1/4-1/16	1/4	1/16	1.29	0.60	0.19	1/2
HY-MC-1/4-1/8		1/8	1.29			1/2
HY-MC-1/4-1/4		1/4	1.49			9/16
HY-MC-1/4-3/8		3/8	1.51			11/16
HY-MC-1/4-1/2		1/2	1.76			7/8
HY-MC-1/4-3/4		3/4	1.82			1-1/16
HY-MC-5/16-1/8	5/16	1/8	1.34	0.64	0.19	9/16
HY-MC-5/16-1/4		1/4	1.52			9/16
HY-MC-5/16-3/8		3/8	1.54			11/16
HY-MC-3/8-1/8	3/8	1/8	1.39	0.66	0.19	5/8
HY-MC-3/8-1/4		1/4	1.57			5/8
HY-MC-3/8-3/8		3/8	1.57			11/16
HY-MC-3/8-1/2		1/2	1.82			7/8
HY-MC-3/8-3/4		3/4	1.88			1-1/16
HY-MC-3/8-1	1	1.85	1-3/8			
HY-MC-1/2-1/8	1/2	1/8	1.53	0.90	0.19	13/16
HY-MC-1/2-1/4		1/4	1.71			13/16
HY-MC-1/2-3/8		3/8	1.71			13/16
HY-MC-1/2-1/2		1/2	1.93			7/8
HY-MC-1/2-3/4		3/4	1.99			1-1/16
HY-MC-1/2-1		1	2.25			1-3/8
HY-MC-5/8-1/4	5/8	1/4	1.74	0.96	0.28	15/16
HY-MC-5/8-3/8		3/8	1.74			15/16
HY-MC-5/8-1/2		1/2	1.93			15/16
HY-MC-5/8-3/4		3/4	1.99			1-3/8
HY-MC-3/4-3/8	3/4	3/8	1.80	0.96	0.41	1-1/16
HY-MC-3/4-1/2		1/2	1.99			1-1/16
HY-MC-3/4-3/4		3/4	1.99			1-1/16
HY-MC-3/4-1		1	2.25			1-3/8
HY-MC-7/8-1/2	7/8	1/2	1.99	1.02	0.47	1-3/16
HY-MC-7/8-3/4		3/4	1.99			1-3/16
HY-MC-7/8-1		1	2.25			1-3/8
HY-MC-1-1/2	1	1/2	2.26	1.23	0.47	1-3/8
HY-MC-1-3/4		3/4	2.26			
HY-MC-1-1	1	2.45	0.88			

Wenzhou Huiyi Valve and Fittings Co.,Ltd

Add:No.2158,Binhai 1st Road,Economic and Technical Development Zone,Longwan Distric,Wenzhou City,Zhejiang Province,China

Tel:0086-577-86998027

Fax:0086-577-86998037

Mobile:0086-18057736259

Email: [sales@huiyivalve.com](mailto:sales@huiyivalve.com) [info@huiyivalve.com](mailto:info@huiyivalve.com)

Contact Person: Tony Zhang

Skype: huiyivalve

Wechat: huiyivalve

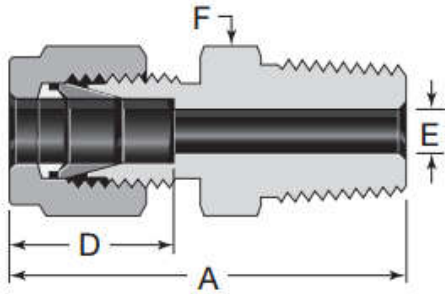
Website: <http://www.huiyivalve.com/>

<https://huiyivalve.en.alibaba.com/>

<https://huiyivalve.en.made-in-china.com/>



## MALE CONNECTOR



### Dimension Table(metric tube)

The thread could be customized as per  
 Customers' request , NPT,BSPT, BSPP or  
 other thread.

MODEL NUMBER	TUBE OD T,MM	NPT SIZE	DIMENSIONS(MM)			
			A	D	E	F
HY-MC-2M-1/8	2	1/8	30.50	12.90	1.70	12
HY-MC-3M-1/8	3	1/8	30.50	12.90	2.40	12
HY-MC-3M-1/4		1/4	35.60			14
HY-MC-4M-1/8	4	1/8	31.20	13.70	2.40	12
HY-MC-4M-1/4		1/4	36.30			14
HY-MC-6M-1/8	6	1/8	32.80	15.30	4.80	14
HY-MC-6M-1/4		1/4	37.90			14
HY-MC-6M-3/8		3/8	38.40			18
HY-MC-6M-1/2		1/2	44.70			22
HY-MC-8M-1/8	8	1/8	34.20	16.20	4.80	15
HY-MC-8M-1/4		1/4	38.70		6.40	15
HY-MC-8M-3/8		3/8	39.30		6.40	18
HY-MC-8M-1/2		1/2	45.60		6.40	22
HY-MC-10M-1/8	10	1/8	36.30	17.20	4.80	18
HY-MC-10M-1/4		1/4	40.90		7.10	18
HY-MC-10M-3/8		3/8	40.90		7.90	18
HY-MC-10M-1/2		1/2	46.50		7.90	22
HY-MC-10M-3/4	3/4	48.00	7.90	27		
HY-MC-12M-1/8	12	1/8	38.80	22.80	4.80	22
HY-MC-12M-1/4		1/4	43.40		7.10	22
HY-MC-12M-3/8		3/8	43.40		9.50	22
HY-MC-12M-1/2		1/2	49.00		9.50	22
HY-MC-12M-3/4	3/4	50.50	9.50	27		
HY-MC-14M-1/4	14	1/4	44.10	24.40	7.10	24
HY-MC-14M-3/8		3/8	44.10		9.50	
HY-MC-14M-1/2		1/2	49.00		11.10	
HY-MC-15M-1/2	15	1/2	49.00	24.40	11.90	24
HY-MC-16M-3/8	16	3/8	44.10	24.40	9.50	24
HY-MC-16M-1/2		1/2	49.00		11.90	24
HY-MC-16M-3/4		3/4	50.50		12.70	27
HY-MC-18M-1/2	18	1/2	50.50	24.40	11.90	27
HY-MC-18M-3/4		3/4			15.10	
HY-MC-20M-1/2	20	1/2	52.30	26.00	11.90	30
HY-MC-20M-3/4		3/4			15.90	
HY-MC-22M-3/4	22	3/4	52.30	26.00	15.90	30
HY-MC-22M-1		1	57.10		18.30	35
HY-MC-25M-1/2	25	1/2	57.50	31.30	11.90	35
HY-MC-25M-3/4		3/4	57.50		15.90	
HY-MC-22M-1		1	62.30		21.80	

Wenzhou Huiyi Valve and Fittings Co.,Ltd

Add:No.2158,Binhai 1st Road,Economic and Technical Development Zone,Longwan Distric,Wenzhou City,Zhejiang Province,China

Tel:0086-577-86998027

Fax:0086-577-86998037

Mobile:0086-18057736259

Email: [sales@huiyivalve.com](mailto:sales@huiyivalve.com) [info@huiyivalve.com](mailto:info@huiyivalve.com)

Contact Person: Tony Zhang

Skype: huiyivalve

Wechat: huiyivalve

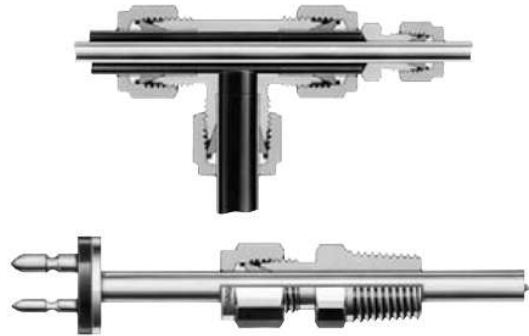
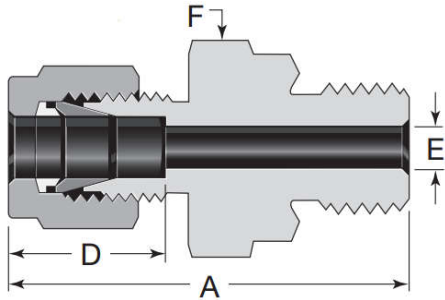
Website: <http://www.huiyivalve.com/>

<https://huiyivalve.en.alibaba.com/>

<https://huiyivalve.en.made-in-china.com/>



## FULL PORT MALE CONNECTOR



Dimension Table(fractional tube)

MODEL NUMBER	TUBE OD	ISO/BSP P SIZE	DIMENSIONS(INCH)			
	T,INCH		A	D	E	F
HY-MC-1/8-1/8F	1/8	1/8	1.31	0.50	0.09	9/16
HY-MC-1/8-1/4F		1/4	1.50			3/4
HY-MC-1/4-1/8F	1/4	1/8	1.40	0.60	0.16	9/16
HY-MC-1/4-1/4F		1/4	1.59			0.19
HY-MC-1/2-3/8F	1/2	3/8	1.79	0.90	0.31	7/8
HY-MC-1/2-1/2F		1/2	1.87			0.41
HY-MC-3/4-1/2F	3/4	1/2	1.92	0.96	0.47	1-1/16
HY-MC-3/4-3/4F		3/4	2.05			0.62
HY-MC-1-1F	1	1	2.35	1.23	0.78	1-5/8

This type of male connector is used for thermocouple, draft tube.

**Wenzhou Huiyi Valve and Fittings Co.,Ltd**

Add:No.2158,Binhai 1st Road,Economic and Technical Development Zone,Longwan Distric,Wenzhou City,Zhejiang Province,China

Tel:0086-577-86998027

Fax:0086-577-86998037

Mobile:0086-18057736259

Email: [sales@huiyivalve.com](mailto:sales@huiyivalve.com) [info@huiyivalve.com](mailto:info@huiyivalve.com)

Contact Person: Tony Zhang

Skype: huiyivalve

Weheat: huiyivalve

Website: <http://www.huiyivalve.com/>

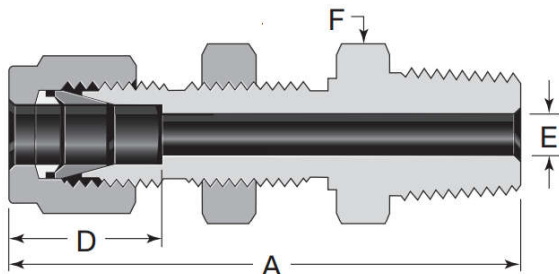
<https://huiyivalve.en.alibaba.com/>

<https://huiyivalve.en.made-in-china.com/>





## BULKHEAD MALE CONNECTOR



Dimension Table(fractional tube)

MODEL NUMBER	TUBE OD	NPT SIZE	DIMENSIONS(INCH)					
	T,		A	D	E	F	DIAMETER OF PANEL HOLE	MAX THICKNESS OF PANEL
HY-BMC-1/8-1/8	1/8	1/8	1.83	0.50	0.09	1/2	21/64	0.5
HY-BMC-1/4-1/8	1/4	1/8	1.95	0.60	0.19	5/8	29/64	0.4
HY-BMC-1/4-1/4		1/4	2.13					
HY-BMC-3/8-1/4	3/8"	1/4	2.26	0.66	0.28	3/4	37/64	0.44
HY-BMC-3/8-3/8		3/8	2.26			3/4		
HY-BMC-3/8-1/2		1/2	2.51			7/8		
HY-BMC-1/2-3/8	1/2	3/8	2.49	0.90	0.38	15/16	49/64	0.5
HY-BMC-1/2-1/2		1/2	2.71		0.41			
HY-BMC-3/4-3/4	3/4	3/4	3.00	0.96	0.62	1-3/16	1-1/64	0.66
HY-BMC-1-1	1	1	3.67	1.23	0.88	1-5/8	1-21/64	0.75

The thread could be NPT,BSPT,BSPP and metric thread .

**Wenzhou Huiyi Valve and Fittings Co.,Ltd**

Add:No.2158,Binhai 1st Road,Economic and Technical Development Zone,Longwan Distric,Wenzhou City,Zhejiang Province,China

Tel:0086-577-86998027

Fax:0086-577-86998037

Mobile:0086-18057736259

Email: [sales@huiyivalve.com](mailto:sales@huiyivalve.com) [info@huiyivalve.com](mailto:info@huiyivalve.com)

Contact Person: Tony Zhang

Skype: huiyivalve

Weheat: huiyivalve

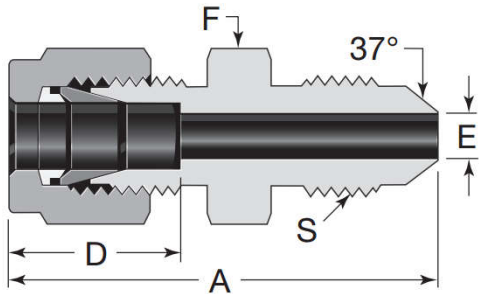
Website: <http://www.huiyivalve.com/>

<https://huiyivalve.en.alibaba.com/>

<https://huiyivalve.en.made-in-china.com/>



## JIC 37 DEGREE MALE CONNECTOR



Dimension Table(fractional tube)

MODEL NUMBER	TUBE OD	FLARING SIZE	DIMENSIONS(INCH)				
	T,INCH		A	D	E	F	S
HY-MCJ-1/16-1/8	1/16	1/8	1.07	0.34	0.05	7/16	5/16-24UNJF-3
HY-MCJ-1/8-1/8	1/8	1/8	1.27	0.05	0.06	7/16	5/16-24UNJF-3
HY-MCJ-1/8-1/4		1/4	1.38		0.09	1/2	7/16-20UNJF-3
HY-MCJ-1/4-1/4	1/4	1/4	1.48	0.60	0.17	1/2	7/16-20UNJF-3
HY-MCJ-5/16-5/16	5/16	5/16	1.51	0.64	0.23	9/16	1/2-20UNJF-3
HY-MCJ-3/8-1/4	3/8	1/4	1.56	0.66	0.17	5/8	7/16-20UNJF-3
HY-MCJ-3/8-3/8		3/8			0.28		9/16-18UNJF-3
HY-MCJ-1/2-1/2	1/2	1/2	1.81	0.90	0.39	13/16	3/4-16UNJF-3
HY-MCJ-3/4-3/4	3/4	3/4	2.10	0.96	0.61	1-1/8	1-1/16-12UNJF-3
HY-MCJ-1-1	1	1	2.42	1.23	0.84	1-3/8	1-5/16-12UNJF-3

**Wenzhou Huiyi Valve and Fittings Co.,Ltd**

Add:No.2158,Binhai 1st Road,Economic and Technical Development Zone,Longwan Distric,Wenzhou City,Zhejiang Province,China

Tel:0086-577-86998027

Fax:0086-577-86998037

Mobile:0086-18057736259

Email: [sales@huiyivalve.com](mailto:sales@huiyivalve.com) [info@huiyivalve.com](mailto:info@huiyivalve.com)

Contact Person: Tony Zhang

Skype: huiyivalve

Weheat: huiyivalve

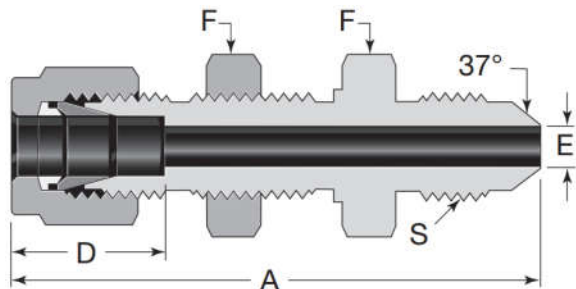
Website: <http://www.huiyivalve.com/>

<https://huiyivalve.en.alibaba.com/>

<https://huiyivalve.en.made-in-china.com/>



### JIC 37 DEGREE BULKHEAD MALE CONNECTOR



Dimension Table(fractional tube)

MODEL NUMBER	TUBE OD	FLARING SIZE	DIMENSIONS(INCH)						
	T,INCH		A	D	E	F	S	DIMENSION OF PANEL HOLE	MAX THICKNESS OF PANEL
HY-BMCJ-1/4-1/4	1/4	1/4	2.12	0.60	0.17	5/8	7/16-20UNJF-3	29/64	0.4
HY-BMCJ-3/8-3/8	3/8	3/8	2.25	0.66	0.28	3/4	9/16-18UNJF-3	37/64	0.44
HY-BMCJ-1/2-1/2	1/2	1/2	2.59	0.90	0.39	15/16	3/4-16UNJF-3	49/64	0.5
HY-BMCJ-3/4-3/4	3/4	3/4	3.11	0.96	0.61	1-3/16	1-1/16-12UNJF-3	1-1/64	0.66
HY-BMCJ-1-1	1	1	3.64	1.23	0.84	1-5/8	1-5/16-12UNJF-3	1-21/64	0.75

**Wenzhou Huiyi Valve and Fittings Co.,Ltd**

Add:No.2158,Binhai 1st Road,Economic and Technical Development Zone,Longwan Distric,Wenzhou City,Zhejiang Province,China

Tel:0086-577-86998027

Fax:0086-577-86998037

Mobile:0086-18057736259

Email: [sales@huiyivalve.com](mailto:sales@huiyivalve.com) [info@huiyivalve.com](mailto:info@huiyivalve.com)

Contact Person: Tony Zhang

Skype: huiyivalve

Weheat: huiyivalve

Website: <http://www.huiyivalve.com/>

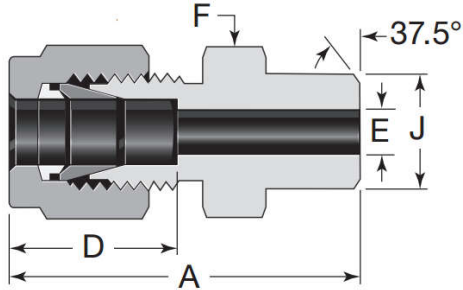
<https://huiyivalve.en.alibaba.com/>

<https://huiyivalve.en.made-in-china.com/>





## WELD CONNECTOR



Dimension Table(fractional tube)

MODEL NUMBER	TUBE OD T,INCH	WELDING TUBE OD(INCH)	DIMENSIONS(INCH)				
			A	D	E	F	J
HY-MWC-1/8-1/8	1/8	1/8	1.20	0.50	0.09	7/16	0.405
HY-MWC-3/16-1/8	3/16	1/8	1.23	0.54	0.12	7/16	0.405
HY-MWC-1/4-1/8	1/4	1/8	1.29	0.60	0.19	1/2	0.405
HY-MWC-1/4-1/4		1/4	1.49			9/16	0.540
HY-MWC-5/16-1/8	5/16	1/8	1.34	0.64	0.21	9/16	0.405
HY-MWC-5/16-1/4		1/4	1.52				0.25
HY-MWC-3/8-1/4	3/8	1/4	1.57	0.66	0.28	5/8	0.540
HY-MWC-3/8-3/8		3/8	1.57			11/16	0.675
HY-MWC-3/8-1/2		1/2	1.82			7/8	0.840
HY-MWC-3/8-3/4		3/4	1.88			1-1/16	1.050
HY-MWC-1/2-3/8	1/2	3/8	1.71	0.90	0.41	13/16	0.675
HY-MWC-1/2-1/2		1/2	1.93			7/8	0.840
HY-MWC-1/2-3/4		3/4	1.99			1-1/16	1.050
HY-MWC-1/2-1		1	2.25			1-3/8	1.315
HY-MWC-5/8-1/2	5/8	1/2	1.93	0.96	0.50	15/16	0.840
HY-MWC-3/4-1/2	3/4	1/2	1.99	0.96	0.55	1-1/16	0.840
HY-MWC-3/4-3/4		3/4			0.62		1.050
HY-MWC-1-1	1	1	2.45	1.23	0.88	1-3/8	1.315

**Wenzhou Huiyi Valve and Fittings Co.,Ltd**

Add:No.2158,Binhai 1st Road,Economic and Technical Development Zone,Longwan Distric,Wenzhou City,Zhejiang Province,China

Tel:0086-577-86998027

Fax:0086-577-86998037

Mobile:0086-18057736259

Email: [sales@huiyivalve.com](mailto:sales@huiyivalve.com) [info@huiyivalve.com](mailto:info@huiyivalve.com)

Contact Person: Tony Zhang

Skype: huiyivalve

Weheat: huiyivalve

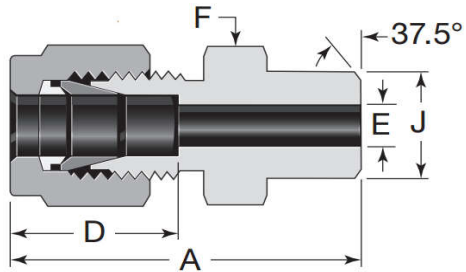
Website: <http://www.huiyivalve.com/>

<https://huiyivalve.en.alibaba.com/>

<https://huiyivalve.en.made-in-china.com/>



## WELD CONNECTOR



Dimension Table(metric tube to fractional weld tube )

MODEL NUMBER	TUBE OD	WELDING TUBE OD(INCH)	DIMENSIONS(MM)				
	T,MM		A	D	E	F	J
HY-MWC-3M-1/8	3	1/8	30.50	12.90	2.40	12	10.3
HY-MWC-4M-1/8	4	1/8	31.20	13.70	2.40	12	10.3
HY-MWC-6M-1/8	6	1/8	32.80	15.30	4.80	14	10.3
HY-MWC-6M-1/4		1/4	37.90				13.7
HY-MWC-8M-1/8	8	1/8	34.20	16.20	5.40	15	10.3
HY-MWC-8M-1/4		1/4	38.70		6.40	15	13.7
HY-MWC-8M-1/2		1/2	45.60		6.40	22	21.3
HY-MWC-10M-1/4	10	1/4	40.90	17.20	7.50	18	13.7
HY-MWC-10M-3/8		3/8	40.90		7.90	18	17.1
HY-MWC-10M-1/2		1/2	46.50		7.90	12	21.3
HY-MWC-12M-1/4	12	1/4	43.40	22.80	7.50	22	13.7
HY-MWC-12M-3/8		3/8	43.40		9.50		17.1
HY-MWC-12M-1/2		1/2	49.00		9.50		21.3
HY-MWC-14M-3/8	14	3/8	44.10	24.40	10.70	24	17.1
HY-MWC-15M-1/2	15	1/2	49.00	24.40	11.90	24	21.3
HY-MWC-16M-1/2	16	1/2	49.00	24.40	12.70	24	21.3
HY-MWC-18M-1/2	18	1/2	50.50	24.40	13.90	27	21.3

**Wenzhou Huiyi Valve and Fittings Co.,Ltd**

Add:No.2158,Binhai 1st Road,Economic and Technical Development Zone,Longwan Distric,Wenzhou City,Zhejiang Province,China

Tel:0086-577-86998027

Fax:0086-577-86998037

Mobile:0086-18057736259

Email: [sales@huiyivalve.com](mailto:sales@huiyivalve.com) [info@huiyivalve.com](mailto:info@huiyivalve.com)

Contact Person: Tony Zhang

Skype: huiyivalve

Weheat: huiyivalve

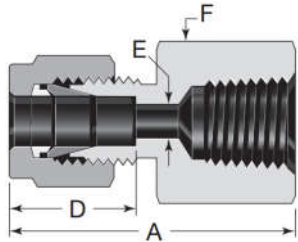
Website: <http://www.huiyivalve.com/>

<https://huiyivalve.en.alibaba.com/>

<https://huiyivalve.en.made-in-china.com/>



## FEMALE CONNECTOR



Dimension Table(fractional tube)

MODEL NUMBER	TUBE OD	NPT SIZE	DIMENSIONS(INCH)			
	T,INCH		A	D	E	F
HY-FC-1/16-1/16	1/16	1/16	0.93	0.34	0.05	7/16
HY-FC-1/16-1/8		1/8	0.96			9/16
HY-FC-1/8-1/8	1/8	1/8	1.13	0.50	0.09	9/16
HY-FC-1/8-1/4		1/4	1.32			3/4
HY-FC-3/16-1/8	3/16	1/8	1.17	0.54	0.12	9/16
HY-FC-1/4-1/8	1/4	1/8	1.23	0.60	0.19	9/16
HY-FC-1/4-1/4		1/4	1.41			3/4
HY-FC-1/4-3/8		3/8	1.48			7/8
HY-FC-1/4-1/2		1/2	1.67			1-1/16
HY-FC-5/16-1/8	5/16	1/8	1.26	0.64	0.25	9/16
HY-FC-5/16-1/4		1/4	1.45			3/4
HY-FC-3/8-1/8	3/8	1/8	1.29	0.66	0.28	5/8
HY-FC-3/8-1/4		1/4	1.48			3/4
HY-FC-3/8-3/8		3/8	1.54			7/8
HY-FC-3/8-1/2		1/2	1.73			1-1/16
HY-FC-3/8-3/4		3/4	1.88			1-5/16
HY-FC-1/2-1/4	1/2	1/4	1.59	0.90	0.41	13/16
HY-FC-1/2-3/8		3/8	1.65			7/8
HY-FC-1/2-1/2		1/2	1.84			1-1/16
HY-FC-1/2-3/4		3/4	1.90			1-5/16
HY-FC-5/8-1/4	5/8	3/8	1.65	0.96	0.41	15/16
HY-FC-5/8-1/2		1/2	1.84			1-1/16
HY-FC-5/8-3/4		3/4	1.90			1-5/16
HY-FC-3/4-1/2	3/4	1/2	1.84	0.96	0.62	1-1/16
HY-FC-3/4-3/4		3/4	1.90			1-5/16
HY-FC-7/8-3/4	7/8	3/4	1.96	1.02	0.72	1-5/16
HY-FC-1-3/4	1	3/4	2.10	1.23	0.88	1-3/8
HY-FC-1-1		1	2.45			1-5/8

The thread could be NPT,BSPT,BSPP

**Wenzhou Huiyi Valve and Fittings Co.,Ltd**

Add:No.2158,Binhai 1st Road,Economic and Technical Development Zone,Longwan Distric,Wenzhou City,Zhejiang Province,China

Tel:0086-577-86998027

Fax:0086-577-86998037

Mobile:0086-18057736259

Email: [sales@huiyivalve.com](mailto:sales@huiyivalve.com) [info@huiyivalve.com](mailto:info@huiyivalve.com)

Contact Person: Tony Zhang

Skype: huiyivalve

Wechat: huiyivalve

Website: <http://www.huiyivalve.com/>

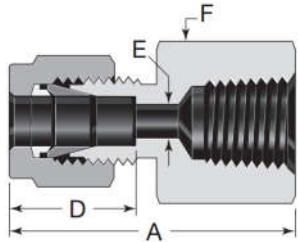
<https://huiyivalve.en.alibaba.com/>

<https://huiyivalve.en.made-in-china.com/>





## FEMALE CONNECTOR



The thread could be NPT,BSPT,BSPP

Dimension Table(metric tube)

MODEL NUMBER	TUBE OD	NPT SIZE	DIMENSIONS(MM)			
	T,MM		A	D	E	F
HY-FC-3M-1/8	3	1/8	28.70	12.90	2.40	14
HY-FC-3M-1/4		1/4	33.50			19
HY-FC-4M-1/8	4	1/8	29.70	13.70	2.40	14
HY-FC-6M-1/8	6	1/8	31.30	15.30	4.80	14
HY-FC-6M-1/4		1/4	35.80			19
HY-FC-6M-3/8		3/8	37.60			22
HY-FC-6M-1/2		1/2	42.50			27
HY-FC-8M-1/8	8	1/8	32.10	16.20	6.40	15
HY-FC-8M-1/4		1/4	37.00			19
HY-FC-8M-3/8		3/8	38.50			22
HY-FC-8M-1/2		1/2	43.30			27
HY-FC-10M-1/4	10	1/4	37.80	17.20	7.90	19
HY-FC-10M-3/8		3/8	39.40			22
HY-FC-10M-1/2		1/2	44.20			27
HY-FC-12M-1/4	12	1/4	40.30	22.80	9.50	22
HY-FC-12M-3/8		3/8	41.90			22
HY-FC-12M-1/2		1/2	46.70			27
HY-FC-15M-1/2	15	1/2	46.70	24.40	11.90	27
HY-FC-16M-1/2	16	1/2	46.90	24.40	12.70	27
HY-FC-20M-1/2	20	1/2	47.90	26.00	15.90	30
HY-FC-20M-3/4		3/4	49.70			35
HY-FC-22M-3/4	22	3/4	49.70	26.00	18.30	35
HY-FC-22M-1		1	57.90			41
HY-FC-25M-3/4	25	3/4	53.40	31.30	21.80	35
HY-FC-25M-1		1	62.30			41

Wenzhou Huiyi Valve and Fittings Co.,Ltd

Add:No.2158,Binhai 1st Road,Economic and Technical Development Zone,Longwan Distric,Wenzhou City,Zhejiang Province,China

Tel:0086-577-86998027

Fax:0086-577-86998037

Mobile:0086-18057736259

Email: [sales@huiyivalve.com](mailto:sales@huiyivalve.com) [info@huiyivalve.com](mailto:info@huiyivalve.com)

Contact Person: Tony Zhang

Skype: huiyivalve

Weheat: huiyivalve

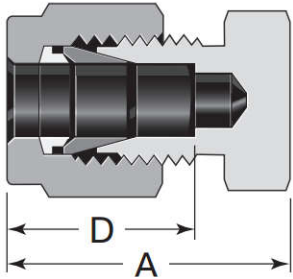
Website: <http://www.huiyivalve.com/>

<https://huiyivalve.en.alibaba.com/>

<https://huiyivalve.en.made-in-china.com/>



## PIPE CAP



**Dimension Table(fractional tube)**

MODEL NUMBER	TUBE OD	DIMENSIONS(INCH)	
	T,INCH	A	D
HY-C-1/16	1/16	0.59	0.34
HY-C-1/8	1/8	0.79	0.50
HY-C-3/16	3/16	0.84	0.54
HY-C-1/4	1/4	0.92	0.60
HY-C-5/16	5/16	0.96	0.64
HY-C-3/8	3/8	1.01	0.66
HY-C-1/2	1/2	1.15	0.90
HY-C-5/8	5/8	1.18	0.96
HY-C-3/4	3/4	1.24	0.96
HY-C-7/8	7/8	1.34	1.02
HY-C-1	1	1.51	1.23

**Dimension Table(metric tube)**

MODEL NUMBER	TUBE OD	DIMENSIONS(MM)	
	T,MM	A	D
HY-C-2M	2	20.10	12.90
HY-C-3M	3	20.10	12.90
HY-C-4M	4	21.30	13.70
HY-C-6M	6	23.10	15.30
HY-C-8M	8	24.50	16.20
HY-C-10M	10	26.60	17.20
HY-C-12M	12	29.10	22.80
HY-C-14M	14	29.90	24.40
HY-C-15M	15	29.90	24.40
HY-C-16M	16	29.90	24.40
HY-C-18M	18	31.40	24.40
HY-C-20M	20	34.00	26.00
HY-C-22M	22	34.00	26.00
HY-C-25M	25	38.50	31.30

**Wenzhou Huiyi Valve and Fittings Co.,Ltd**

Add:No.2158,Binhai 1st Road,Economic and Technical Development Zone,Longwan Distric,Wenzhou City,Zhejiang Province,China

Tel:0086-577-86998027

Fax:0086-577-86998037

Mobile:0086-18057736259

Email: [sales@huiyivalve.com](mailto:sales@huiyivalve.com) [info@huiyivalve.com](mailto:info@huiyivalve.com)

Contact Person: Tony Zhang

Skype: huiyivalve

Wechat: huiyivalve

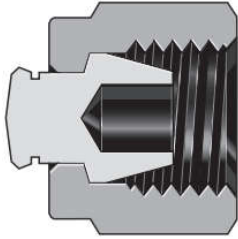
Website: <http://www.huiyivalve.com/>

<https://huiyivalve.en.alibaba.com/>

<https://huiyivalve.en.made-in-china.com/>



## PIPE PLUG



**Dimension Table(fractional tube)**

MODEL NUMBER	TUBE OD
	T,INCH
HY-P-1/16	1/16
HY-P-1/8	1/8
HY-P-3/16	3/16
HY-P-1/4	1/4
HY-P-5/16	5/16
HY-P-3/8	3/8
HY-P-1/2	1/2
HY-P-5/8	5/8
HY-P-3/4	3/4
HY-P-7/8	7/8
HY-P-1	1

**Dimension Table(metric tube)**

MODEL NUMBER	TUBE OD
	T,MM
HY-P-2M	2
HY-P-3M	3
HY-P-4M	4
HY-P-6M	6
HY-P-8M	8
HY-P-10M	10
HY-P-12M	12
HY-P-15M	15
HY-P-16M	16
HY-P-18M	18
HY-P-20M	20
HY-P-22M	22
HY-P-25M	25

**Wenzhou Huiyi Valve and Fittings Co.,Ltd**

Add:No.2158,Binhai 1st Road,Economic and Technical Development Zone,Longwan Distric,Wenzhou City,Zhejiang Province,China

Tel:0086-577-86998027

Fax:0086-577-86998037

Mobile:0086-18057736259

Email: [sales@huiyivalve.com](mailto:sales@huiyivalve.com) [info@huiyivalve.com](mailto:info@huiyivalve.com)

Contact Person: Tony Zhang

Skype: huiyivalve

Weheat: huiyivalve

Website: <http://www.huiyivalve.com/>

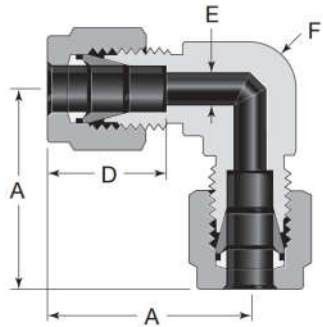
<https://huiyivalve.en.alibaba.com/>

<https://huiyivalve.en.made-in-china.com/>





## UNION ELBOW



**Dimension Table(fractional tube)**

MODEL NUMBER	TUBE OD	DIMENSIONS(INCH)			
	T,INCH	A	D	E	F
HY-UE-1/16	1/16	0.70	0.34	0.05	3/8
HY-UE-1/8	1/8	0.88	0.50	0.09	3/8
HY-UE-3/16	3/16	1.00	0.54	0.12	1/2
HY-UE-1/4	1/4	1.06	0.60	0.19	1/2
HY-UE-5/16	5/16	1.13	0.64	0.25	9/16
HY-UE-3/8	3/8	1.20	0.66	0.28	5/8
HY-UE-1/2	1/2	1.42	0.90	0.41	13/16
HY-UE-5/8	5/8	1.50	0.96	0.50	15/16
HY-UE-3/4	3/4	1.57	0.96	0.62	1-1/16
HY-UE-7/8	7/8	1.76	1.02	0.72	1-3/8
HY-UE-1	1	1.93	1.23	0.88	1-3/8

**Wenzhou Huiyi Valve and Fittings Co.,Ltd**

Add:No.2158,Binhai 1st Road,Economic and Technical Development Zone,Longwan Distric,Wenzhou City,Zhejiang Province,China

Tel:0086-577-86998027

Fax:0086-577-86998037

Mobile:0086-18057736259

Email: [sales@huiyivalve.com](mailto:sales@huiyivalve.com) [info@huiyivalve.com](mailto:info@huiyivalve.com)

Contact Person: Tony Zhang

Skype: huiyivalve

Weheat: huiyivalve

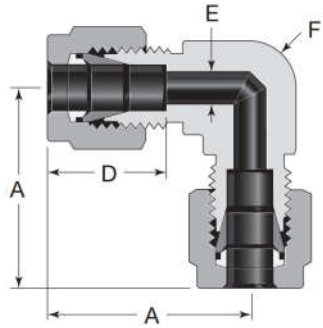
Website: <http://www.huiyivalve.com/>

<https://huiyivalve.en.alibaba.com/>

<https://huiyivalve.en.made-in-china.com/>



## UNION ELBOW



Dimension Table(metric tube)

MODEL NUMBER	TUBE OD	DIMENSIONS(MM)			
	T,MM	A	D	E	F(INCH)
HY-UE-3M	3	22.30	12.90	2.40	3/8
HY-UE-4M	4	25.40	13.70	2.40	1/2
HY-UE-6M	6	27.00	15.30	4.80	1/2
HY-UE-8M	8	28.80	16.20	6.40	9/16
HY-UE-10M	10	31.50	17.20	7.90	11/16
HY-UE-12M	12	36.00	22.80	9.50	13/16
HY-UE-14M	14	38.00	24.40	11.10	15/16
HY-UE-15M	15	38.00	24.40	11.90	15/16
HY-UE-16M	16	38.00	24.40	12.70	15/16
HY-UE-18M	18	39.80	24.40	15.10	1-1/16
HY-UE-20M	20	44.60	26.00	15.90	1-3/8
HY-UE-22M	22	44.6	26	18.3	1-3/8
HY-UE-25M	25	49.1	31.3	21.8	1-3/8

**Wenzhou Huiyi Valve and Fittings Co.,Ltd**

Add:No.2158,Binhai 1st Road,Economic and Technical Development Zone,Longwan Distric,Wenzhou City,Zhejiang Province,China

Tel:0086-577-86998027

Fax:0086-577-86998037

Mobile:0086-18057736259

Email: [sales@huiyivalve.com](mailto:sales@huiyivalve.com) [info@huiyivalve.com](mailto:info@huiyivalve.com)

Contact Person: Tony Zhang

Skype: huiyivalve

Weheat: huiyivalve

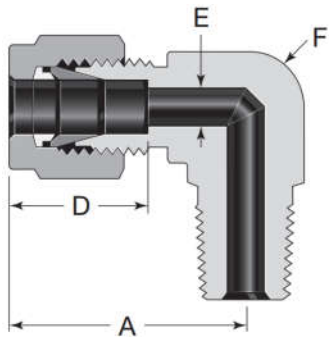
Website: <http://www.huiyivalve.com/>

<https://huiyivalve.en.alibaba.com/>

<https://huiyivalve.en.made-in-china.com/>



## MALE ELBOW



**Dimension Table(fractional tube)**

MODEL NUMBER	TUBE OD T,INCH	NPT SIZE	DIMENSIONS(INCH)			
			A	D	E	F
HY-ME-1/16-1/16	1/16	1/16	0.75	0.34	0.05	7/16
HY-ME-1/16-1/8		1/8				
HY-ME-1/8-1/16	1/8	1/16	0.93	0.50	0.09	7/16
HY-ME-1/8-1/8		1/8				
HY-ME-1/8-1/4		1/4				
HY-ME-3/16-1/8	3/16	1/8	1.00	0.54	0.12	1/2
HY-ME-3/16-1/4		1/4				
HY-ME-1/4-1/16	1/4	1/16	1.06	0.60	0.19	1/2
HY-ME-1/4-1/8		1/8				
HY-ME-1/4-1/4		1/4				
HY-ME-1/4-3/8		3/8				
HY-ME-1/4-1/2		1/2				
HY-ME-5/16-1/8		1/8				
HY-ME-5/16-1/4	5/16	1/4	1.13	0.64	0.25	9/16
HY-ME-5/16-3/8		3/8				
HY-ME-3/8-1/8	3/8	1/8	1.2	0.66	0.28	5/8
HY-ME-3/8-1/4		1/4				
HY-ME-3/8-3/8		3/8				
HY-ME-3/8-1/2		1/2				
HY-ME-3/8-3/4		3/4				
HY-ME-1/2-1/4	1/2	1/4	1.42	0.9	0.41	13/16
HY-ME-1/2-3/8		3/8				
HY-ME-1/2-1/2		1/2				
HY-ME-1/2-3/4		3/4				
HY-ME-5/8-3/8	5/8	3/8	1.5	0.96	0.47	15/16
HY-ME-5/8-1/2		1/2				
HY-ME-5/8-3/4		3/4				
HY-ME-3/4-1/2	3/4	1/2	1.57	0.96	0.62	1-1/16
HY-ME-3/4-3/4		3/4				
HY-ME-7/8-3/4	7/8	3/4	1.76	1.02	0.62	1-3/8
HY-ME-1-3/4	1	3/4	1.93	1.23	0.62	1-3/8
HY-ME-1-1		1				

The thread could be customized as per Customers' request , NPT,BSPT, BSPP or other thread.

**Wenzhou Huiyi Valve and Fittings Co.,Ltd**

ADD:No.2158,Binhai 1st Road,Economic and Technical Development Zone,Longwan Distric,Wenzhou City,Zhejiang Province,China

Tel:0086-577-86998027

Fax:0086-577-86998037

Mobile:0086-18057736259

Email: [sales@huiyivalve.com](mailto:sales@huiyivalve.com) [info@huiyivalve.com](mailto:info@huiyivalve.com)

Contact Person: Tony Zhang

Skype: huiyivalve

Wechat: huiyivalve

Website: <http://www.huiyivalve.com/>

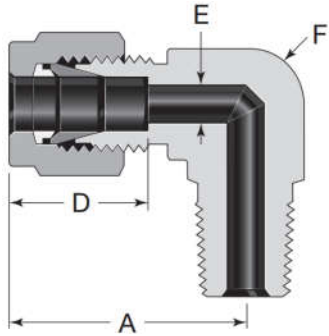
<https://huiyivalve.en.alibaba.com/>

<https://huiyivalve.en.made-in-china.com/>





## MALE ELBOW



Dimension Table(metric tube)

MODEL NUMBER	TUBE OD	NPT SIZE	DIMENSIONS(MM)			
	T,MM		A	D	E	F(INCH)
HY-ME-3M-1/8	3	1/8	23.60	12.90	2.40	7/16
HY-ME-3M-1/4		1/4	24.60			1/2
HY-ME-4M-1/8	4	1/8	25.40	13.70	2.40	1/2
HY-ME-4M-1/4		1/4				
HY-ME-6M-1/8	6	1/8	27.00	15.30	4.80	1/2
HY-ME-6M-1/4		1/4	27.00			1/2
HY-ME-6M-3/8		3/8	29.80			11/16
HY-ME-6M-1/2		1/2	31.80			13/16
HY-ME-8M-1/8	8	1/8	28.80	16.20	4.80	9/16
HY-ME-8M-1/4		1/4	28.80		6.40	9/16
HY-ME-8M-3/8		3/8	30.60		6.40	11/16
HY-ME-8M-1/2		1/2	32.60		6.40	13/16
HY-ME-10M-1/8	10	1/8	31.50	17.20	4.80	11/16
HY-ME-10M-1/4		1/4	31.50		7.10	11/16
HY-ME-10M-3/8		3/8	31.50		7.90	11/16
HY-ME-10M-1/2		1/2	33.50		7.90	13/16
HY-ME-12M-1/4	12	1/4	36.00	22.80	7.10	13/16
HY-ME-12M-3/8		3/8	36.00		9.50	13/16
HY-ME-12M-1/2		1/2	36.00		9.50	13/16
HY-ME-12M-3/4		3/4	39.80		9.50	11/16
HY-ME-15M-1/2	15	1/2	38.00	24.40	11.90	15/16
HY-ME-16M-3/8	16	3/8	38.00	24.40	9.50	15/16
HY-ME-16M-1/2		1/2	38.00		11.90	15/16
HY-ME-16M-3/4		3/4	39.80		12.70	11/16
HY-ME-18M-1/2	18	1/2	39.80	24.40	11.90	11/16
HY-ME-18M-3/4		3/4			15.10	
HY-ME-20M-1/2	20	1/2	44.60	26.00	11.90	13/8
HY-ME-20M-3/4		3/4			15.90	
HY-ME-22M-3/4	22	3/4	44.60	26.00	15.90	13/8
HY-ME-22M-1		1			18.30	
HY-ME-25M-3/4	25	3/4	49.10	31.30	15.90	13/8
HY-ME-25M-1		1			21.80	

The thread could be customized as per Customers' request , NPT,BSPT, BSPP or other thread.

**Wenzhou Huiyi Valve and Fittings Co.,Ltd**

Add:No.2158,Binhai 1st Road,Economic and Technical Development Zone,Longwan Distric,Wenzhou City,Zhejiang Province,China

Tel:0086-577-86998027

Fax:0086-577-86998037

Mobile:0086-18057736259

Email: [sales@huiyivalve.com](mailto:sales@huiyivalve.com) [info@huiyivalve.com](mailto:info@huiyivalve.com)

Contact Person: Tony Zhang

Skype: huiyivalve

Wechat: huiyivalve

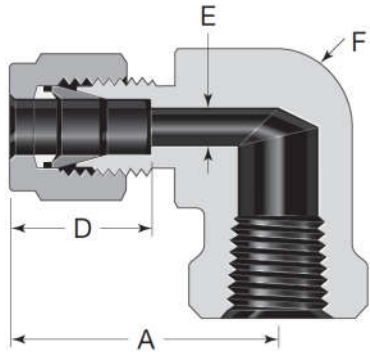
Website: <http://www.huiyivalve.com/>

<https://huiyivalve.en.alibaba.com/>

<https://huiyivalve.en.made-in-china.com/>



## FEMALE ELBOW



Dimension Table(fractional tube)

MODEL NUMBER	TUBE OD	NPT SIZE	DIMENSIONS(INCH)			
	T,INCH		A	D	E	F(INCH)
HY-FE-1/8-1/8	1/8	1/8	0.97	0.50	0.09	1/2
HY-FE-1/8-1/4		1/4	1.08			11/16
HY-FE-3/16-1/8	3/16	1/8	1.00	0.60	0.19	1/2
HY-FE-1/4-1/8	1/4	1/8	1.06			1/2
HY-FE-1/4-1/4		1/4	1.17	11/16		
HY-FE-1/4-3/8		3/8	1.25	11/16		
HY-FE-1/4-1/2	5/16	1/2	1.36	0.64	0.25	1
HY-FE-5/16-1/8		1/8	1.13			9/16
HY-FE-5/16-1/4	3/8	1/4	1.20	0.66	0.28	11/16
HY-FE-3/8-1/8		1/8	1.20			5/8
HY-FE-3/8-1/4		1/4	1.23			11/16
HY-FE-3/8-3/8	1/2	3/8	1.31	0.90	0.41	13/16
HY-FE-3/8-1/2		1/2	1.42			1
HY-FE-1/2-1/4	1/2	1/4	1.42	0.96	0.50	13/16
HY-FE-1/2-3/8		3/8	1.42			13/16
HY-FE-1/2-1/2		1/2	1.53			1
HY-FE-5/8-3/8	5/8	3/8	1.50	0.96	0.62	15/16
HY-FE-5/8-1/2		1/2	1.57			11/16
HY-FE-3/4-1/2	3/4	1/2	1.57	0.96	0.72	11/16
HY-FE-3/4-3/4		3/4	1.76			13/8
HY-FE-7/8-3/4	7/8	3/4	1.76	1.02	0.72	13/8
HY-FE-1-3/4	1	3/4	1.93	1.23	0.88	13/8
HY-FE-1-1		1	2.11			1-11/16

The thread could be customized as per Customers' request , NPT,BSPT, BSPP or other thread.

Wenzhou Huiyi Valve and Fittings Co.,Ltd

Add:No.2158,Binhai 1st Road,Economic and Technical Development Zone,Longwan Distric,Wenzhou City,Zhejiang Province,China

Tel:0086-577-86998027

Fax:0086-577-86998037

Mobile:0086-18057736259

Email: [sales@huiyivalve.com](mailto:sales@huiyivalve.com) [info@huiyivalve.com](mailto:info@huiyivalve.com)

Contact Person: Tony Zhang

Skype: huiyivalve

Weheat: huiyivalve

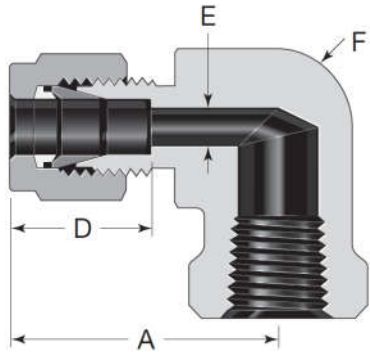
Website: <http://www.huiyivalve.com/>

<https://huiyivalve.en.alibaba.com/>

<https://huiyivalve.en.made-in-china.com/>



## FEMALE ELBOW



Dimension Table(metric tube)

MODEL NUMBER	TUBE OD	NPT SIZE	DIMENSIONS(INCH)			
	T,MM		A	D	E	F(INCH)
HY-FE-6-1/8	6	1/8	27.00	15.30	4.80	1/2
HY-FE-6-1/4		1/4	29.80			11/16
HY-FE-6-1/2		1/2	34.60			1
HY-FE-8-1/4	8	1/4	30.60	16.20	6.40	11/16
HY-FE-10-1/8	10	1/8	31.50	17.20	7.90	11/16
HY-FE-10-1/4		1/4	33.50			13/16
HY-FE-12-1/4	12	1/4	36.00	22.80	9.50	13/16
HY-FE-12-1/2		1/2	38.80			1
HY-FE-16-1/2	16	1/2	39.50	24.40	12.70	11/16

The thread could be customized as per Customers' request , NPT,BSPT, BSPP or other thread.

**Wenzhou Huiyi Valve and Fittings Co.,Ltd**

Add:No.2158,Binhai 1st Road,Economic and Technical Development Zone,Longwan Distric,Wenzhou City,Zhejiang Province,China

Tel:0086-577-86998027

Fax:0086-577-86998037

Mobile:0086-18057736259

Email: [sales@huiyivalve.com](mailto:sales@huiyivalve.com) [info@huiyivalve.com](mailto:info@huiyivalve.com)

Contact Person: Tony Zhang

Skype: huiyivalve

Weheat: huiyivalve

Website: <http://www.huiyivalve.com/>

<https://huiyivalve.en.alibaba.com/>

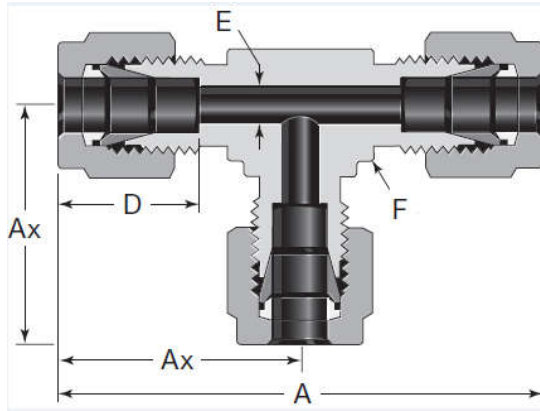
<https://huiyivalve.en.made-in-china.com/>





## UNION TEE

Dimension Table(fractional tube)



MODEL NUMBER	TUBE OD	DIMENSIONS(INCH)				
	T,INCH	A	Ax	D	E	F(INCH)
HY-UT-1/16	1/16	1.40	0.70	0.34	0.05	3/8
HY-UT-1/8	1/8	1.76	0.88	0.50	0.09	3/8
HY-UT-3/16	3/16	1.92	0.96	0.54	0.12	7/16
HY-UT-1/4	1/4	2.12	1.06	0.60	0.19	1/2
HY-UT-5/16	5/16	2.34	1.17	0.64	0.25	5/8
HY-UT-3/8	3/8	2.40	1.20	0.66	0.28	5/8
HY-UT-1/2	1/2	2.84	1.42	0.90	0.41	13/16
HY-UT-5/8	5/8	3.06	1.53	0.96	0.50	1
HY-UT-3/4	3/4	3.14	1.57	0.96	0.62	11/16
HY-UT-7/8	7/8	3.52	1.76	1.02	0.72	13/8
HY-UT-1	1	3.86	1.93	1.23	0.88	13/8

**Wenzhou Huiyi Valve and Fittings Co.,Ltd**

Add:No.2158,Binhai 1st Road,Economic and Technical Development Zone,Longwan Distric,Wenzhou City,Zhejiang Province,China

Tel:0086-577-86998027

Fax:0086-577-86998037

Mobile:0086-18057736259

Email: [sales@huiyivalve.com](mailto:sales@huiyivalve.com) [info@huiyivalve.com](mailto:info@huiyivalve.com)

Contact Person: Tony Zhang

Skype: huiyivalve

Weheat: huiyivalve

Website: <http://www.huiyivalve.com/>

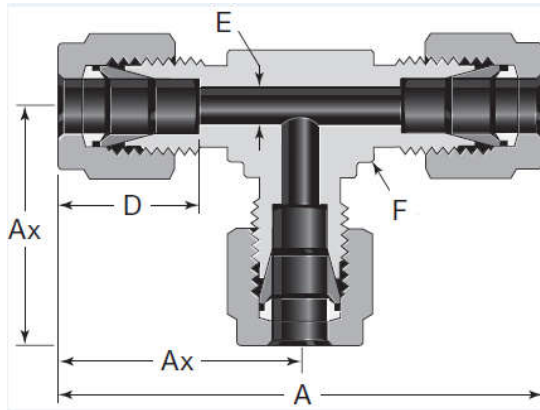
<https://huiyivalve.en.alibaba.com/>

<https://huiyivalve.en.made-in-china.com/>



## UNION TEE

Dimension Table(metric tube)



MODEL NUMBER	TUBE OD	DIMENSIONS(INCH)				
	T,MM	A	Ax	D	E	F(in)
HY-UT-2	2	44.70	22.30	12.90	1.70	3/8
HY-UT-3	3	44.70	22.30	12.90	2.40	3/8
HY-UT-4	4	50.80	25.40	13.70	2.40	1/2
HY-UT-6	6	53.90	27.00	15.30	4.80	1/2
HY-UT-8	8	59.70	29.90	16.20	6.40	5/8
HY-UT-10	10	63.00	31.50	17.20	7.90	11/16
HY-UT-12	12	72.00	36.00	22.80	9.50	13/16
HY-UT-14	14	77.60	38.80	24.40	11.10	1
HY-UT-15	15	77.60	38.80	24.40	11.90	1
HY-UT-16	16	77.60	38.80	24.40	12.70	1
HY-UT-18	18	79.60	39.80	24.40	15.10	11/16
HY-UT-20	20	89.30	44.60	26.00	15.90	13/8
HY-UT-22	22	89.30	44.60	26.00	18.30	13/8
HY-UT-25	25	98.30	49.10	31.30	21.80	13/8

**Wenzhou Huiyi Valve and Fittings Co.,Ltd**

Add:No.2158,Binhai 1st Road,Economic and Technical Development Zone,Longwan Distric,Wenzhou City,Zhejiang Province,China

Tel:0086-577-86998027

Fax:0086-577-86998037

Mobile:0086-18057736259

Email: [sales@huiyivalve.com](mailto:sales@huiyivalve.com) [info@huiyivalve.com](mailto:info@huiyivalve.com)

Contact Person: Tony Zhang

Skype: huiyivalve

Weheat: huiyivalve

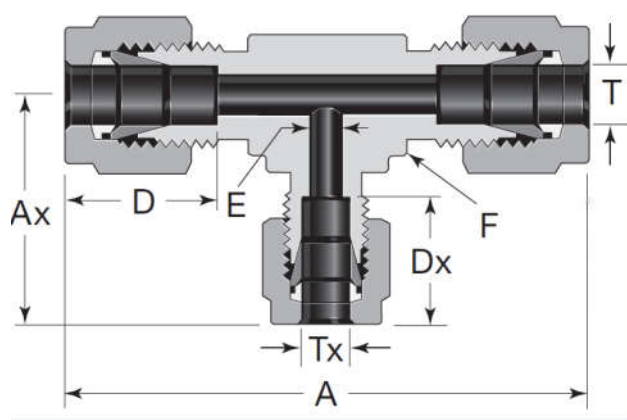
Website: <http://www.huiyivalve.com/>

<https://huiyivalve.en.alibaba.com/>

<https://huiyivalve.en.made-in-china.com/>



## REDUCING UNION TEE



Dimension Table(fractional tube)

MODEL NUMBER	TUBE OD(INCH)		DIMENSIONS(INCH)						
	T	Tx	A	Ax	D	Dx	E	F	
HY-RUT-3/8-1/4	3/8	1/4	2.40	1.14	0.66	0.60	0.19	5/8	
HY-RUT-1/2-1/4	1/2	1/4	2.84	1.25	0.90	0.60	0.19	13/16	
HY-RUT-1/2-3/8		3/8		1.31		0.66			0.28
HY-RUT-5/8-3/8	5/8	3/8	3.06	1.42	0.96	0.66	0.28	1	
HY-RUT-3/4-3/8	3/4	3/8	3.14	1.46	0.96	0.66	0.28	11/16	
HY-RUT-3/4-1/2		1/2		1.57		0.90			0.41
HY-RUT-1-3/8	1	3/8	3.86	1.65	1.23	0.66	0.28	13/8	
HY-RUT-1-1/2		1/2		1.76		0.90			0.41
HY-RUT-1-3/4		3/4		1.76		0.96			0.62

**Wenzhou Huiyi Valve and Fittings Co.,Ltd**

Add:No.2158,Binhai 1st Road,Economic and Technical Development Zone,Longwan Distric,Wenzhou City,Zhejiang Province,China

Tel:0086-577-86998027

Fax:0086-577-86998037

Mobile:0086-18057736259

Email: [sales@huiyivalve.com](mailto:sales@huiyivalve.com) [info@huiyivalve.com](mailto:info@huiyivalve.com)

Contact Person: Tony Zhang

Skype: huiyivalve

Weheat: huiyivalve

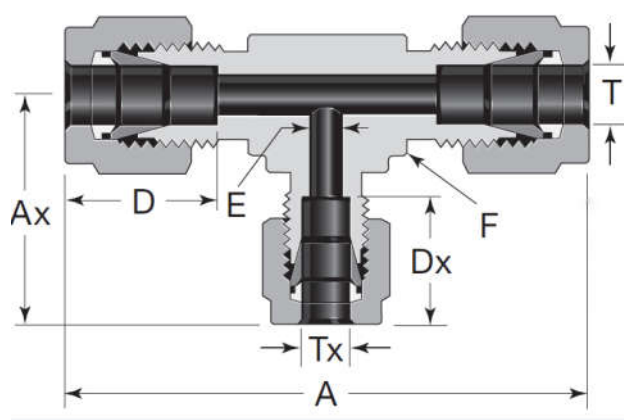
Website: <http://www.huiyivalve.com/>

<https://huiyivalve.en.alibaba.com/>

<https://huiyivalve.en.made-in-china.com/>



## REDUCING UNION TEE



Dimension Table(metric tube)

MODEL NUMBER	TUBE OD(MM)		DIMENSIONS(INCH)					
	T	Tx	A	Ax	D	Dx	E	F.in
HY-RUT-3M-6M	3	6	49.30	26.90	12.90	15.30	2.40	1/2
HY-RUT-8M-6M	8		59.90	29.00	16.20	15.30	4.80	5/8
HY-RUT-10M-6M	10		63.00	29.70	17.20	15.30	4.80	11/16
HY-RUT-12M-6M	12		72.00	31.80	22.80	15.30	4.80	13/16
HY-RUT-15M-12M	15	12	77.70	38.90	24.40	22.80	9.50	1
HY-RUT-16M-12M	16		77.60	38.90	24.40	22.80	9.50	1
HY-RUT-18M-12M	18		79.80	39.90	24.40	22.80	9.50	11/16
HY-RUT-22M-12M	22		89.40	44.70	26.00	22.80	9.50	13/8
HY-RUT-25M-12M	25		98.00	44.70	31.30	22.80	9.50	13/8

**Wenzhou Huiyi Valve and Fittings Co.,Ltd**

Add:No.2158,Binhai 1st Road,Economic and Technical Development Zone,Longwan Distric,Wenzhou City,Zhejiang Province,China

Tel:0086-577-86998027

Fax:0086-577-86998037

Mobile:0086-18057736259

Email: [sales@huiyivalve.com](mailto:sales@huiyivalve.com) [info@huiyivalve.com](mailto:info@huiyivalve.com)

Contact Person: Tony Zhang

Skype: huiyivalve

Weheat: huiyivalve

Website: <http://www.huiyivalve.com/>

<https://huiyivalve.en.alibaba.com/>

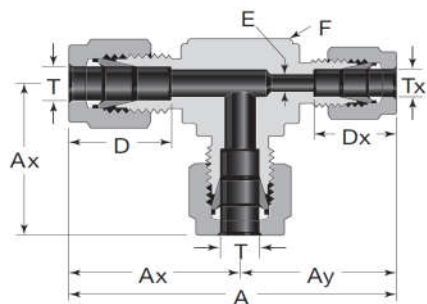
<https://huiyivalve.en.made-in-china.com/>



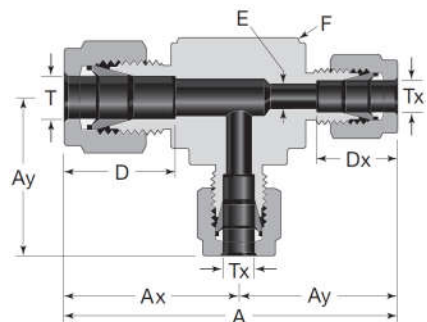


## REDUCING UNION TEE

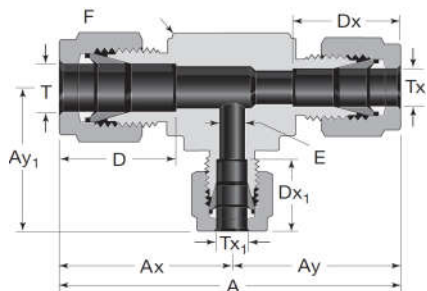
Dimension Table(fractional tube)



MODEL NUMBER	TUBE OD(INCH)		DIMENSIONS(INCH)						
	T	Tx	A	Ax	Ay	D	Dx	E	F
HY-RUT-3/8-1/4	3/8	1/4	2.34	1.20	1.14	0.66	0.60	0.19	5/8



MODEL NUMBER	TUBE OD(INCH)		DIMENSIONS(INCH)						
	T	Tx	A	Ax	Ay	D	Dx	E	F
HY-RUT-1/2-3/8	1/2	3/8	2.73	1.42	1.31	0.90	0.66	0.28	13/16
HY-RUT-5/8-3/8	5/8		2.95	1.53	1.42	0.96	0.66	0.28	1
HY-RUT-3/4-3/8	3/4		3.03	1.57	1.46	0.96	0.66	0.28	11/16



MODEL NUMBER	TUBE OD(INCH)			DIMENSIONS(INCH)								
	T	Tx	Tx1	A	Ax	Ay	Ay1	D	Dx	Dx1	E	F
HY-RUT-5/8-1/2-3/8	5/8	1/2	3/8	3.06	1.53	1.53	1.42	0.96	0.90	0.66	0.28	1
HY-RUT-3/4-1/2-3/8	3/4	1/2		3.14	1.57	1.57	1.46	0.96	0.90			11/16
HY-RUT-1-3/4-3/8	1	3/4		3.69	1.93	1.76	1.65	1.23	0.96			13/8

**Wenzhou Huiyi Valve and Fittings Co.,Ltd**

Add:No.2158,Binhai 1st Road,Economic and Technical Development Zone,Longwan Distric,Wenzhou City,Zhejiang Province,China

Tel:0086-577-86998027

Fax:0086-577-86998037

Mobile:0086-18057736259

Email: [sales@huiyivalve.com](mailto:sales@huiyivalve.com) [info@huiyivalve.com](mailto:info@huiyivalve.com)

Contact Person: Tony Zhang

Skype: huiyivalve

Wechat: huiyivalve

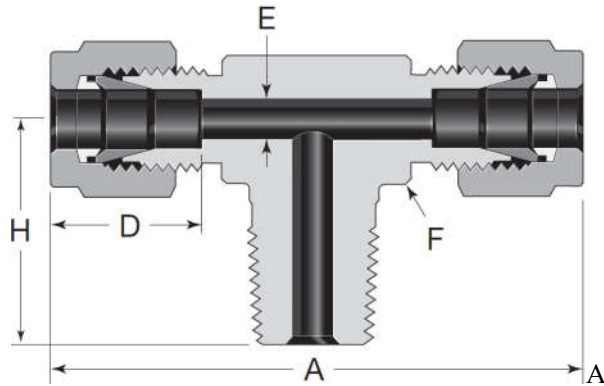
Website: <http://www.huiyivalve.com/>

<https://huiyivalve.en.alibaba.com/>

<https://huiyivalve.en.made-in-china.com/>



**MALE BRANCH TEE**



**Dimension Table**

MODEL NUMBER	TUBE OD (INCH)	NPT SIZE	DIMENSIONS(INCH)				
	T		A	D	E	F.in.	H
HY-MBT-1/8-1/8	1/8	1/8	1.86	0.50	0.09	7/16	0.70
HY-MBT-1/8-1/4		1/4	1.94			1/2	0.92
HY-MBT-3/16-1/8	3/16	1/8	1.92	0.54	0.12	7/16	0.70
HY-MBT-1/4-1/8	1/4	1/8	2.12	0.60	0.19	1/2	0.74
HY-MBT-1/4-1/4		1/4					0.92
HY-MBT-5/16-1/8	5/16	1/8	2.34	0.64	0.19	5/8	0.82
HY-MBT-3/8-1/4	3/8	1/4	2.40	0.66	0.28	5/8	1.00
HY-MBT-3/8-3/8		3/8	2.62			13/16	1.11
HY-MBT-1/2-3/8	1/2	3/8	2.84	0.90	0.38	13/16	1.11
HY-MBT-1/2-1/2		1/2			0.41		1.30
HY-MBT-5/8-1/2	5/8	1/2	3.06	0.96	0.47	1	1.41
HY-MBT-3/4-3/4	3/4	3/4	3.14	0.96	0.62	11/16	1.45
MM							
HY-MBT-6M-1/8	6	1/8	53.90	15.30	4.80	1/2	18.80
HY-MBT-6M-1/4		1/4					23.40
HY-MBT-8M-1/8	8	1/8	59.70	16.20	4.80	5/8	20.80
HY-MBT-8M-1/4		1/4			6.40		25.40
HY-MBT-10M-1/4	10	1/4	67.00	17.20	7.10	4/5	26.20
HY-MBT-12M-3/8	12	3/8	72.00	22.80	9.50	4/5	28.20
HY-MBT-12M-1/4		1/4			7.10		28.20
HY-MBT-12M-1/2		1/2			9.50		33.00
HY-MBT-16M-1/2	16	1/2	77.60	24.40	11.90	1	35.80

The thread could be customized as per Customers' request , NPT,BSPT, BSPP or other thread.

**Wenzhou Huiyi Valve and Fittings Co.,Ltd**

Add:No.2158,Binhai 1st Road,Economic and Technical Development Zone,Longwan Distric,Wenzhou City,Zhejiang Province,China

Tel:0086-577-86998027

Fax:0086-577-86998037

Mobile:0086-18057736259

Email: [sales@huiyivalve.com](mailto:sales@huiyivalve.com) [info@huiyivalve.com](mailto:info@huiyivalve.com)

Contact Person: Tony Zhang

Skype: huiyivalve

Wechat: huiyivalve

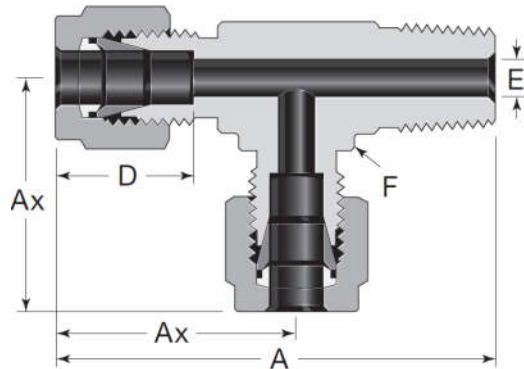
Website: <http://www.huiyivalve.com/>

<https://huiyivalve.en.alibaba.com/>

<https://huiyivalve.en.made-in-china.com/>



**MALE RUN TEE**



**Dimension Table**

MODEL NUMBER	TUBE OD (INCH)	NPT SIZE	DIMENSIONS(INCH)				
	T		A	Ax	D	E	F.in.
HY-MRT-1/8-1/8	1/8	1/8	1.63	0.93	0.50	0.09	7/16
HY-MRT-1/8-1/4		1/4	1.89	0.97			1/2
HY-MRT-3/16-1/8	3/16	1/8	1.66	0.96	0.54	0.12	7/16
HY-MRT-1/4-1/8	1/4	1/8	1.80	1.06	0.60	0.19	1/2
HY-MRT-1/4-1/4		1/4	1.98				
HY-MRT-5/16-1/8	5/16	1/8	1.99	1.17	0.64	0.19	5/8
HY-MRT-3/8-1/4	3/8	1/4	2.20	1.20	0.66	0.28	5/8
HY-MRT-3/8-3/8		3/8	2.42	1.31			13/16
HY-MRT-1/2-3/8	1/2	3/8	2.53	1.42	0.90	0.38	13/16
HY-MRT-1/2-1/2		1/2	2.72			0.41	
HY-MRT-5/8-1/2	5/8	1/2	2.88	1.50	0.96	0.47	15/16
HY-MRT-3/4-3/4	3/4	3/4	3.02	1.57	0.96	0.62	11/16
MM							
HY-MRT-6M-1/8	6	1/8	45.80	27.00	15.30	4.80	1/2
HY-MRT-6M-1/4		1/4	50.30				
HY-MRT-8M-1/4	8	1/4	55.30	29.90	16.20	6.40	5/8
HY-MRT-12M-1/4	12	1/4	64.20	36.00	22.80	7.10	13/16
HY-MRT-12M-1/2		1/2	69.00			9.50	
HY-MRT-16M-1/2	16	1/2	73.10	38.00	24.40	11.90	15/16

The thread could be customized as per Customers' request , NPT,BSPT, BSPP or other thread.

**Wenzhou Huiyi Valve and Fittings Co.,Ltd**

Add:No.2158,Binhai 1st Road,Economic and Technical Development Zone,Longwan Distric,Wenzhou City,Zhejiang Province,China

Tel:0086-577-86998027

Fax:0086-577-86998037

Mobile:0086-18057736259

Email: [sales@huiyivalve.com](mailto:sales@huiyivalve.com) [info@huiyivalve.com](mailto:info@huiyivalve.com)

Contact Person: Tony Zhang

Skype: huiyivalve

Weheat: huiyivalve

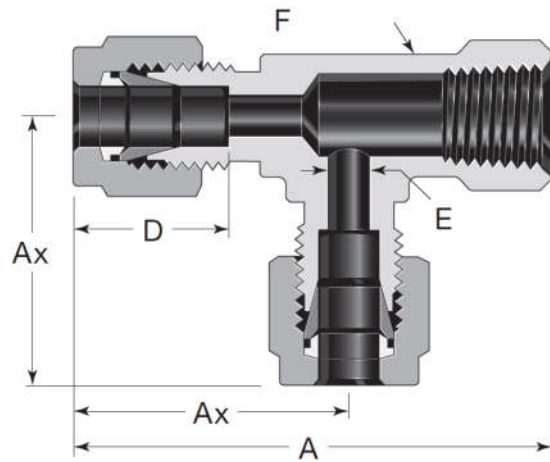
Website: <http://www.huiyivalve.com/>

<https://huiyivalve.en.alibaba.com/>

<https://huiyivalve.en.made-in-china.com/>



**FEMALE RUN TEE**



**Dimension Table**

MODEL NUMBER	TUBE OD (INCH)	NPT SIZE	DIMENSIONS(INCH)				
	T		A	Ax	D	E	F.in.
HY-FRT-1/8-1/8	1/8	1/8	1.72	0.97	0.50	0.09	1/2
HY-FRT-1/4-1/8	1/4	1/8	1.81	1.06	0.60	0.19	1/2
HY-FRT-1/4-1/4		1/4	2.05	1.17			11/16
HY-FRT-3/8-1/4	3/8	1/4	2.11	1.23	0.66	0.28	11/16
HY-FRT-1/2-3/8	1/2	3/8	2.30	1.42	0.90	0.41	13/16
HY-FRT-1/2-1/2		1/2	2.69	1.57			11/16
HY-FRT-3/4-3/4	3/4	3/4	3.01	1.76	0.96	0.62	13/8
HY-FRT-1-3/4	1	3/4	3.18	1.93	1.23	0.88	13/8
HY-FRT-1-1		1	3.61	2.11			1-11/16
MM							
HY-FRT-6M-1/8	6	1/8	46.00	27.00	15.30	4.8	1/2
HY-FRT-6M-1/4		1/4	52.10	29.80			11/16
HY-FRT-8M-1/8	8	1/8	48.9	29.9	16.2	6.4	5/8
HY-FRT-8M-1/4		1/4	53.00	30.60			11/16
HY-FRT-10M-1/4	10	1/4	55.90	33.50	17.20	7.90	13/16
HY-FRT-12M-1/4	12	1/4	58.40	36.00	22.80	9.50	13/16
HY-FRT-12M-3/8		3/8	58.40	36.00			10.30
HY-FRT-12M-1/2	16	1/2	68.30	39.80	24.40	12.70	11/16
HY-FRT-16M-1/2		1/2	68.20	39.80			11/16

The thread could be customized as per Customers' request , NPT,BSPT, BSPP or other thread.

**Wenzhou Huiyi Valve and Fittings Co.,Ltd**

Add:No.2158,Binhai 1st Road,Economic and Technical Development Zone,Longwan Distric,Wenzhou City,Zhejiang Province,China

Tel:0086-577-86998027

Fax:0086-577-86998037

Mobile:0086-18057736259

Email: [sales@huiyivalve.com](mailto:sales@huiyivalve.com) [info@huiyivalve.com](mailto:info@huiyivalve.com)

Contact Person: Tony Zhang

Skype: huiyivalve

Weheat: huiyivalve

Website: <http://www.huiyivalve.com/>

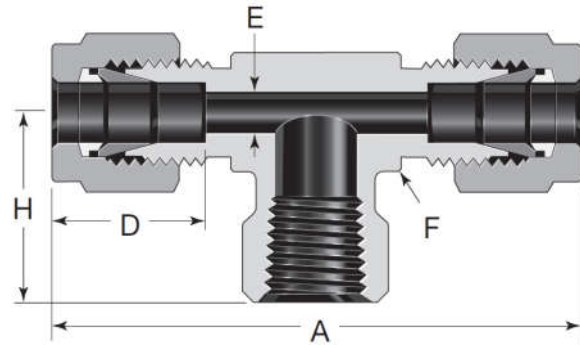
<https://huiyivalve.en.alibaba.com/>

<https://huiyivalve.en.made-in-china.com/>





**FEMALE BRANCH TEE**



**Dimension Table**

MODEL NUMBER	TUBE OD (INCH)	NPT SIZE	DIMENSIONS(INCH)				
	T		A	D	E	F.in.	H
HY-FBT-1/8-1/8	1/8	1/8	1.94	0.50	0.09	1/2	0.75
HY-FBT-1/4-1/8	1/4	1/8	2.12	0.60	0.19	1/2	0.75
HY-FBT-1/4-1/4		1/4	2.34			11/16	0.88
HY-FBT-3/8-1/4	3/8	1/4	2.46	0.66	0.28	11/16	0.88
HY-FBT-3/8-3/8		3/8	2.62			13/16	0.88
HY-FBT-3/8-1/2		1/2	2.84			1	1.12
HY-FBT-1/2-1/4	1/2	1/4	2.84	0.90	0.41	13/16	0.88
HY-FBT-1/2-3/8		3/8	2.84			13/16	0.88
HY-FBT-1/2-1/2		1/2	3.06			1	1.12
HY-FBT-5/8-1/2	5/8	1/2	3.06	0.96	0.50	1	1.12
HY-FBT-3/4-3/4	3/4	3/4	3.52	0.96	0.62	13/8	1.25
HY-FBT-1-3/4	1	3/4	3.86	1.23	0.88	13/8	1.25
HY-FBT-1-1		1	4.22			1-11/16	1.50
MM							
HY-FBT-6M-1/8	6	1/8	53.9	15.3	4.8	1/2	19.00
HY-FBT-6M-1/4		1/4	59.5			11/16	22.40
HY-FBT-8M-1/8	8	1/8	59.7	16.2	6.4	5/8	19.00
HY-FBT-8M-1/4		1/4	61.2			11/16	22.40
HY-FBT-10M-1/4	10	1/4	67	17.2	7.9	13/16	22.40
HY-FBT-12M-1/4	12	1/4	72	22.8	9.5	13/16	22.40
HY-FBT-12M-3/8		3/8	72			13/16	22.40
HY-FBT-12M-1/2		1/2	77.7			1	28.40
HY-FBT-16M-1/2	16	1/2	77.6	24.4	12.7	1	28.40

The thread could be customized as per Customers' request , NPT,BSPT, BSPP or other thread.

**Wenzhou Huiyi Valve and Fittings Co.,Ltd**

Add:No.2158,Binhai 1st Road,Economic and Technical Development Zone,Longwan Distric,Wenzhou City,Zhejiang Province,China

Tel:0086-577-86998027

Fax:0086-577-86998037

Mobile:0086-18057736259

Email: [sales@huiyivalve.com](mailto:sales@huiyivalve.com) [info@huiyivalve.com](mailto:info@huiyivalve.com)

Contact Person: Tony Zhang

Skype: huiyivalve

Wechat: huiyivalve

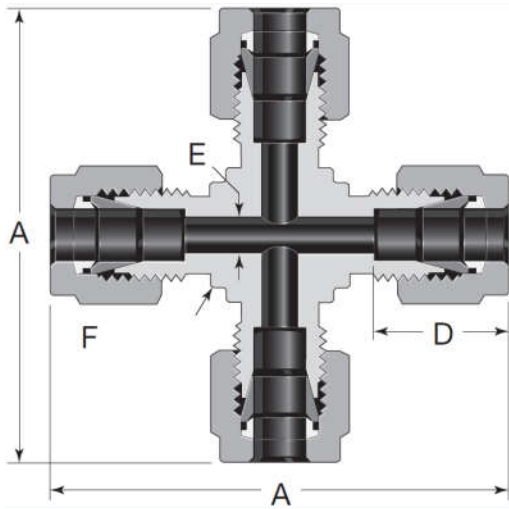
Website: <http://www.huiyivalve.com/>

<https://huiyivalve.en.alibaba.com/>

<https://huiyivalve.en.made-in-china.com/>



**UNION CROSS**



**Dimension Table**

MODEL NUMBER	TUBE OD (INCH)	DIMENSIONS(INCH)			
	T	A	D	E	F.in.
HY-UC-1/8	1/8	1.76	0.50	0.09	3/8
HY-UC-1/4	1/4	2.12	0.60	0.19	1/2
HY-UC-5/16	5/16	2.34	0.64	0.25	5/8
HY-UC-3/8	3/8	2.40	0.66	0.28	5/8
HY-UC-1/2	1/2	2.84	0.9	0.41	13/16
HY-UC-3/4	3/4	3.14	0.96	0.62	11/16
HY-UC-1	1	3.86	1.23	0.88	13/8
MM					
HY-UC-3M	3	44.7	12.9	2.4	3/8
HY-UC-6M	6	53.9	15.3	4.8	1/2
HY-UC-8M	8	59.7	16.2	6.4	5/8
HY-UC-10M	10	67.0	17.2	7.9	13/16
HY-UC-12M	12	72.0	22.8	9.5	13/16
HY-UC-16M	16	74.0	24.4	12.7	15/16
HY-UC-18M	18	76.6	24.4	15.1	11/16
HY-UC-20M	20	89.3	26	15.9	13/8
HY-UC-22M	22	89.4	26	18.3	5/8
HY-UC-25M	25	98.3	31.3	21.8	13/8

**Wenzhou Huiyi Valve and Fittings Co.,Ltd**

Add:No.2158,Binhai 1st Road,Economic and Technical Development Zone,Longwan Distric,Wenzhou City,Zhejiang Province,China

Tel:0086-577-86998027

Fax:0086-577-86998037

Mobile:0086-18057736259

Email: [sales@huiyivalve.com](mailto:sales@huiyivalve.com) [info@huiyivalve.com](mailto:info@huiyivalve.com)

Contact Person: Tony Zhang

Skype: huiyivalve

Weheat: huiyivalve

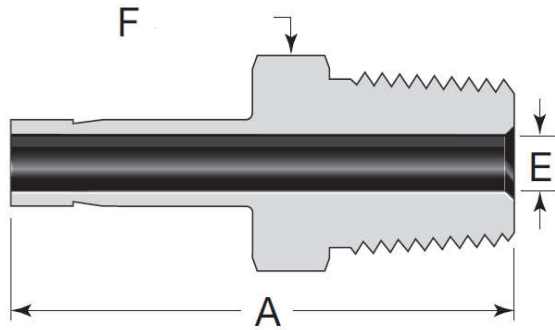
Website: <http://www.huiyivalve.com/>

<https://huiyivalve.en.alibaba.com/>

<https://huiyivalve.en.made-in-china.com/>



**MALE ADAPTER**



**Dimension Table(fractional tube)**

MODEL NUMBER	TUBE OD (INCH)	NPT SIZE	DIMENSIONS(INCH)		
	T		A	E	F
HY-MA-1/8-1/8	1/8	1/8	1.16	0.08	7/16
HY-MA-1/8-1/4		1/4	1.37		9/16
HY-MA-3/16-1/8	3/16	1/8	1.19	0.12	7/16
HY-MA-3/16-1/4		1/4	1.40		9/16
HY-MA-1/4-1/8	1/4	1/8	1.25	0.17	7/16
HY-MA-1/4-1/4		1/4	1.46		9/16
HY-MA-1/4-3/8		3/8	1.49		11/16
HY-MA-1/4-1/2		1/2	1.71		7/8
HY-MA-5/16-1/8	5/16	1/8	1.29	0.19	7/16
HY-MA-5/16-1/4		1/4	1.50	0.22	9/16
HY-MA-3/8-1/8	3/8	1/8	1.32	0.19	7/16
HY-MA-3/8-1/4		1/4	1.53	0.27	9/16
HY-MA-3/8-3/8		3/8	1.56	0.27	11/16
HY-MA-3/8-1/2		1/2	1.78	0.27	7/8
HY-MA-1/2-1/4	1/2	1/4	1.75	0.28	9/16
HY-MA-1/2-3/8		3/8	1.78	0.37	11/16
HY-MA-1/2-1/2		1/2	2.00	0.37	7/8
HY-MA-5/8-1/2	5/8	1/2	2.06	0.47	7/8
HY-MA-3/4-1/2	3/4	1/2	2.06	0.47	7/8
HY-MA-3/4-3/4		3/4		0.58	11/16
HY-MA-1-3/4	1	3/4	2.31	0.62	11/16
HY-MA-1-1		1	2.60	0.8	13/8

The thread could be customized as per Customers' request , NPT,BSPT, BSPP or other thread.

**Wenzhou Huiyi Valve and Fittings Co.,Ltd**

Add:No.2158,Binhai 1st Road,Economic and Technical Development Zone,Longwan Distric,Wenzhou City,Zhejiang Province,China

Tel:0086-577-86998027

Fax:0086-577-86998037

Mobile:0086-18057736259

Email: [sales@huiyivalve.com](mailto:sales@huiyivalve.com) [info@huiyivalve.com](mailto:info@huiyivalve.com)

Contact Person: Tony Zhang

Skype: huiyivalve

Wechat: huiyivalve

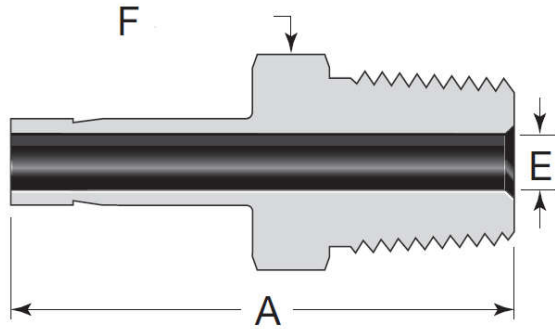
Website: <http://www.huiyivalve.com/>

<https://huiyivalve.en.alibaba.com/>

<https://huiyivalve.en.made-in-china.com/>



**MALE ADAPTER**



**Dimension Table(metric tube)**

MODEL NUMBER	TUBE OD (MM)	NPT SIZE	DIMENSIONS(MM)		
	T		A	E	F
HY-MA-6M-1/8	6	1/8	32.8	4.1	12
HY-MA-6M-1/4		1/4	38.1		14
HY-MA-8M-1/4	8	1/4	39.1	5.6	14
HY-MA-8M-3/8		3/8	39.9		19
HY-MA-10M-1/4	10	1/4	39.9	7.1	14
HY-MA-10M-3/8		3/8	40.6		18
HY-MA-10M-1/2		1/2	46.2		22
HY-MA-12M-1/4	12	1/4	46.5	7.1	16
HY-MA-12M-1/2		1/2	52.1	8.8	22
HY-MA-28M-1	28	1	74.7	22.2	35
HY-MA-28M-1-1/4		1-1/4	76.2	22.5	46
HY-MA-30M-1	30	1	79.20	22.2	41
HY-MA-30M-1-1/4		1-1/4	80.00	24.3	46
HY-MA-32M-1-1/4	32	1-1/4	81.00	26.5	46
HY-MA-38M-1-1/2	38	1-1/2	92.20	31.6	55

The thread could be customized as per Customers' request , NPT,BSPT, BSPP or other thread.

**Wenzhou Huiyi Valve and Fittings Co.,Ltd**

Add:No.2158,Binhai 1st Road,Economic and Technical Development Zone,Longwan Distric,Wenzhou City,Zhejiang Province,China

Tel:0086-577-86998027

Fax:0086-577-86998037

Mobile:0086-18057736259

Email: [sales@huiyivalve.com](mailto:sales@huiyivalve.com) [info@huiyivalve.com](mailto:info@huiyivalve.com)

Contact Person: Tony Zhang

Skype: huiyivalve

Weheat: huiyivalve

Website: <http://www.huiyivalve.com/>

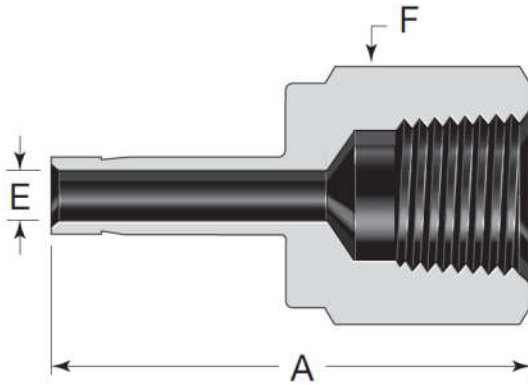
<https://huiyivalve.en.alibaba.com/>

<https://huiyivalve.en.made-in-china.com/>





**FEMALE ADAPTER**



**Dimension Table(fractional tube)**

MODEL NUMBER	TUBE OD (INCH)	NPT SIZE	DIMENSIONS(INCH)		
	T		A	E	F
HY-FA-1/8-1/8	1/8	1/8	1.24	0.08	9/16
HY-FA-1/8-1/4		1/4	1.39		3/4
HY-FA-3/16-1/4	3/16	1/4	1.41	0.12	3/4
HY-FA-1/4-1/8	1/4	1/8	1.30	0.17	9/16
HY-FA-1/4-1/4		1/4	1.46		3/4
HY-FA-1/4-3/8		3/8	1.55		7/8
HY-FA-1/4-1/2		1/2	1.79		1-1/16
HY-FA-5/16-1/4	5/16	1/4	1.48	0.22	3/4
HY-FA-3/8-1/8	3/8	1/8	1.35	0.27	9/16
HY-FA-3/8-1/4		1/4	1.50		3/4
HY-FA-3/8-3/8		3/8	1.59		7/8
HY-FA-3/8-1/2		1/2	1.84		1-1/16
HY-FA-1/2-1/4	1/2	1/4	1.71	0.37	3/4
HY-FA-1/2-3/8		3/8	1.79		7/8
HY-FA-1/2-1/2		1/2	2.05		1-1/16
HY-FA-5/8-1/2	5/8	1/2	2.09	0.47	1-1/16
HY-FA-3/4-1/2	3/4	1/2	2.08	0.58	1-1/16
HY-FA-3/4-3/4		3/4	2.16		15/16
HY-FA-3/4-1		1	2.30		15/8
HY-FA-1-3/4	1	3/4	2.39	0.8	15/16
HY-FA-1-1		1	2.53		15/8

The thread could be customized as per Customers' request , NPT,BSPT, BSPP or other thread.

**Wenzhou Huiyi Valve and Fittings Co.,Ltd**

Add:No.2158,Binhai 1st Road,Economic and Technical Development Zone,Longwan Distric,Wenzhou City,Zhejiang Province,China

Tel:0086-577-86998027

Fax:0086-577-86998037

Mobile:0086-18057736259

Email: [sales@huiyivalve.com](mailto:sales@huiyivalve.com) [info@huiyivalve.com](mailto:info@huiyivalve.com)

Contact Person: Tony Zhang

Skype: huiyivalve

Weheat: huiyivalve

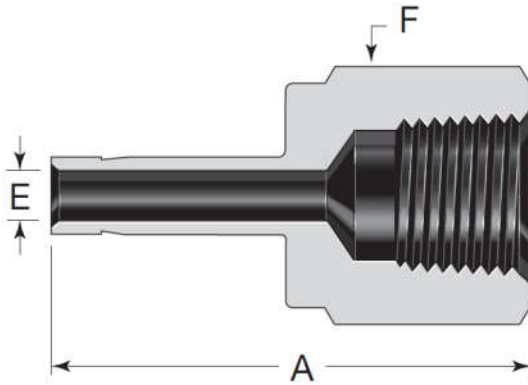
Website: <http://www.huiyivalve.com/>

<https://huiyivalve.en.alibaba.com/>

<https://huiyivalve.en.made-in-china.com/>



**FEMALE ADAPTER**



**Dimension Table(metric tube)**

MODEL NUMBER	TUBE OD (MM)	NPT SIZE	DIMENSIONS(MM)		
	T		A	E	F
HY-FA-6M-1/8	6	1/8	32.5	4.1	14
HY-FA-6M-1/4		1/4	37.1		19
HY-FA-8M-1/4	8	1/4	37.6	5.6	19
HY-FA-10M-1/4	10	1/4	38.1	7.1	19
HY-FA-10M-3/8		3/8	40.1		22
HY-FA-10M-1/2		1/2	46.7		27
HY-FA-12M-1/4	12	1/4	43.7	8.8	19
HY-FA-12M-1/2		1/2	52.3		27

The thread could be customized as per Customers' request , NPT,BSPT, BSPP or other thread.

**Wenzhou Huiyi Valve and Fittings Co.,Ltd**

Add:No.2158,Binhai 1st Road,Economic and Technical Development Zone,Longwan Distric,Wenzhou City,Zhejiang Province,China

Tel:0086-577-86998027

Fax:0086-577-86998037

Mobile:0086-18057736259

Email: [sales@huiyivalve.com](mailto:sales@huiyivalve.com) [info@huiyivalve.com](mailto:info@huiyivalve.com)

Contact Person: Tony Zhang

Skype: huiyivalve

Weheat: huiyivalve

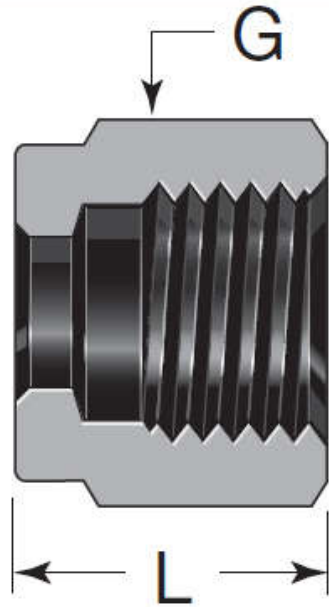
Website: <http://www.huiyivalve.com/>

<https://huiyivalve.en.alibaba.com/>

<https://huiyivalve.en.made-in-china.com/>



**NUT**



**Dimension Table(fractional tube)**

MODEL NUMBER	TUBE OD (INCH)	DIMENSIONS(INCH)	
	T	G	L
HY-N-1/16	1/16	5/16	0.31
HY-N-1/8	1/8	7/16	0.47
HY-N-3/16	3/16	1/2	0.47
HY-N-1/4	1/4	9/16	0.50
HY-N-5/16	5/16	5/8	0.53
HY-N-3/8	3/8	11/16	0.56
HY-N-1/2	1/2	7/8	0.69
HY-N-5/8	5/8	1	0.69
HY-N-3/4	3/4	1-1/8	0.69
HY-N-7/8	7/8	1-1/4	0.69
HY-N-1	1	1-1/2	0.81
HY-N-1-1/4	1-1/4	1-7/8	1.25
HY-N-1-1/2	1-1/2	2-1/4	1.50
HY-N-2	2	3	2.06

**Dimension Table(metric tube)**

MODEL NUMBER	TUBE OD (MM)	DIMENSIONS(MM)	
	T	G	L
HY-N-2M	2	12	11.9
HY-N-3M	3	12	11.9
HY-N-4M	4	12	11.9
HY-N-6M	6	14	12.7
HY-N-8M	8	16	13.5
HY-N-10M	10	19	15.1
HY-N-12M	12	22	17.4
HY-N-14M	14	25	17.4
HY-N-15M	15	25	17.4
HY-N-16M	16	25	17.4
HY-N-18M	18	30	17.4
HY-N-20M	20	32	17.4
HY-N-22M	22	32	17.4
HY-N-25M	25	38	20.6
HY-N-28M	28	46.00	30.6
HY-N-30M	30	50.00	32.7
HY-N-32M	32	50.00	34.4
HY-N-38M	38	50.00	40.6
HY-N-50M	50	76.00	52.3

**Wenzhou Huiyi Valve and Fittings Co.,Ltd**

Add:No.2158,Binhai 1st Road,Economic and Technical Development Zone,Longwan Distric,Wenzhou City,Zhejiang Province,China

Tel:0086-577-86998027

Fax:0086-577-86998037

Mobile:0086-18057736259

Email: [sales@huiyivalve.com](mailto:sales@huiyivalve.com) [info@huiyivalve.com](mailto:info@huiyivalve.com)

Contact Person: Tony Zhang

Skype: huiyivalve

Wechat: huiyivalve

Website: <http://www.huiyivalve.com/>

<https://huiyivalve.en.alibaba.com/>

<https://huiyivalve.en.made-in-china.com/>



# Wenzhou Huiyi Valve and Fittings Co.,Ltd

ADD:No.2158,Binhai 1<sup>st</sup> Road,Economic and Technical Development Zone,Longwan District,Wenzhou City,Zhejiang Province,China. Zip Code: 325025 Email: sales@huiyivalve.com  
Tel: 0086-577-86998027 Fax: 0086-577-86998037 Mobile: 0086-18057736259

## FRONT FERRULE



Dimension Table(fractional tube)

MODEL NUMBER	TUBE OD (INCH)
	T
HY-FF-1/16	1/16
HY-FF-1/8	1/8
HY-FF-3/16	3/16
HY-FF-1/4	1/4
HY-FF-5/16	5/16
HY-FF-3/8	3/8
HY-FF-1/2	1/2
HY-FF-5/8	5/8
HY-FF-3/4	3/4
HY-FF-7/8	7/8
HY-FF-1	1
HY-FF-1-1/4	1-1/4
HY-FF-1-1/2	1-1/2
HY-FF-2	2

Dimension Table(metric tube)

MODEL NUMBER	TUBE OD (MM)
	T
HY-FF-2M	2
HY-FF-3M	3
HY-FF-4M	4
HY-FF-6M	6
HY-FF-8M	8
HY-FF-10M	10
HY-FF-12M	12
HY-FF-14M	14
HY-FF-15M	15
HY-FF-16M	16
HY-FF-18M	18
HY-FF-20M	20
HY-FF-22M	22
HY-FF-25M	25
HY-FF-28M	28
HY-FF-30M	30
HY-FF-32M	32
HY-FF-38M	38
HY-FF-50M	50

### Wenzhou Huiyi Valve and Fittings Co.,Ltd

Add:No.2158,Binhai 1st Road,Economic and Technical Development Zone,Longwan Distric,Wenzhou City,Zhejiang Province,China

Tel:0086-577-86998027

Fax:0086-577-86998037

Mobile:0086-18057736259

Email: [sales@huiyivalve.com](mailto:sales@huiyivalve.com) [info@huiyivalve.com](mailto:info@huiyivalve.com)

Contact Person: Tony Zhang

Skype: huiyivalve

Wechat: huiyivalve

Website: <http://www.huiyivalve.com/>

<https://huiyivalve.en.alibaba.com/>

<https://huiyivalve.en.made-in-china.com/>





**BACK FERRULE**



**Dimension Table(fractional tube)**

MODEL NUMBER	TUBE OD (INCH)
	T
HY-BF-1/16	1/16
HY-BF-1/8	1/8
HY-BF-3/16	3/16
HY-BF-1/4	1/4
HY-BF-5/16	5/16
HY-BF-3/8	3/8
HY-BF-1/2	1/2
HY-BF-5/8	5/8
HY-BF-3/4	3/4
HY-BF-7/8	7/8
HY-BF-1	1
HY-BF-1-1/4	1-1/4
HY-BF-1-1/2	1-1/2
HY-BF-2	2

**Dimension Table(metric tube)**

MODEL NUMBER	TUBE OD (MM)
	T
HY-BF-2M	2
HY-BF-3M	3
HY-BF-4M	4
HY-BF-6M	6
HY-BF-8M	8
HY-BF-10M	10
HY-BF-12M	12
HY-BF-14M	14
HY-BF-15M	15
HY-BF-16M	16
HY-BF-18M	18
HY-BF-20M	20
HY-BF-22M	22
HY-BF-25M	25
HY-BF-28M	28
HY-BF-30M	30
HY-BF-32M	32
HY-BF-38M	38
HY-BF-50M	50

**Wenzhou Huiyi Valve and Fittings Co.,Ltd**

Add:No.2158,Binhai 1st Road,Economic and Technical Development Zone,Longwan Distric,Wenzhou City,Zhejiang Province,China

Tel:0086-577-86998027

Fax:0086-577-86998037

Mobile:0086-18057736259

Email: [sales@huiyivalve.com](mailto:sales@huiyivalve.com) [info@huiyivalve.com](mailto:info@huiyivalve.com)

Contact Person: Tony Zhang

Skype: huiyivalve

Wechat: huiyivalve

Website: <http://www.huiyivalve.com/>

<https://huiyivalve.en.alibaba.com/>

<https://huiyivalve.en.made-in-china.com/>