



LEAD TECH

LT960 Pigment

Continuous Inkjet Printer

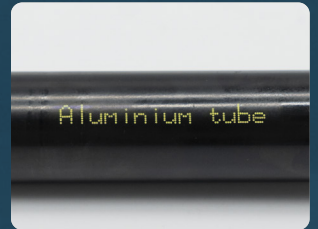
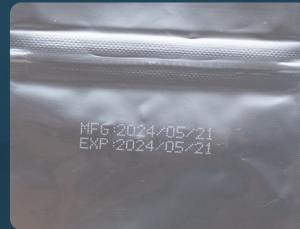


Designed for High Contrast Pigment Coding

[EMC Compatibility]

[Superior Print Quality]

[Self-Awakening Stirring System]



Coding Tomorrow

www.leadtech.ltd

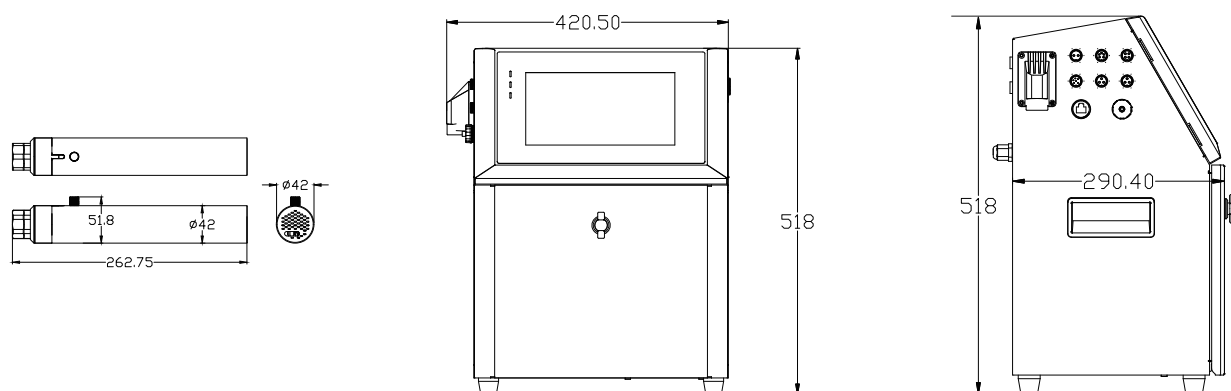
LEAD TECH (ZHUHAI) ELECTRONIC CO., LTD.



Specifications

Model	LT960		
Material	Stainless steel		
Printing Performance	1-4 Lines(7X5matrix) 1-5 Lines(5X5 matrix) Max.speed=287m/min@5X5		
Font Matrix	Single-Line: 5X5, 7X5, 9x6, 12X8, 16X11, 19X14, 24X17, 32X22 Twin-Line: 5X5, 7X5, 9x6, 12X8, 16X11	3 Lines: 5x5, 7x5, 9x6 4 Lines: 5x5, 7x5	5 Lines: 5x5
Printing Distance	Character height: 1-12mm (Depending on font) Printing distance: 2mm to 30mm Best: 10mm		
Operating System	LT-Touch unique System, Multiple Languages		
Print Content	English, Chinese, Arabic Numbers, serial number, Barcode, Shift, DM/QR Code, UPC A & E, EAN 8 & 13, Code 128 A, B & C, ITF 25, GS1, UCC/EAN 128, Code 39, logo, automatic date/time/expiry date, logo, special characters, etc.		
Extra Memory	USB, RS485, Ethernet		
System Language	Chinese, English, Korean, Russian, Polish, Persian, Arabic, Spanish, German, Indonesian, Vietnamese, Croatian, Thai, Slovenian, Slovak, Bosnian, Portuguese, Italian, etc. customizable language		
Memory Storage	1000+Messages		
Industrial Protection	IP55		
Printhead	Super soft, length 3m Constant temperature, 65 μ m		
Printing Direction	360°All-round printing		
Cartridge Volume	Ink (500ml) Make-up (750ml)		
Temperature/ Humidity range	0-45°C 0-95% Relative Humidity, Non-condensing		
Power	AC100-240V, 50/60Hz, 100VA		

Dimensions



LEAD TECH (ZHUHAI) ELECTRONIC CO., LTD.

Tel: +86 756-7255629

Fax: +86 756-7255638

Web: www.leadtech.ltd

Add: Floor 3/4, Building 1, No. 728, Jinhu Road, Sanzao Town, Jinwan District, Zhuhai City