



LEAD TECH

i9 dp

Dual Head Continuous Inkjet Printer



High Speed Coding up to 10 lines

[Efficient]

Revolutionary dual printhead, meet a wide range applications

[Reliable]

Stable performance, consistent print quality

[Intelligent]

Self-management system, less maintenance



Coding Tomorrow

www.leadtech.ltd

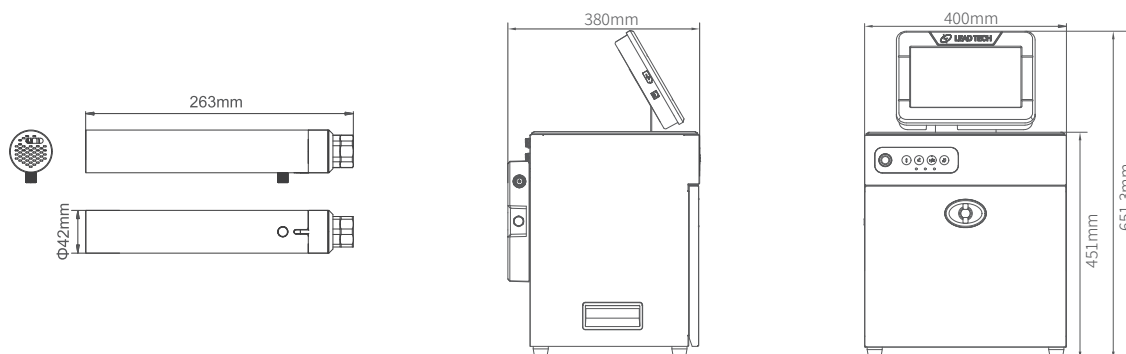
LEAD TECH (ZHUHAI) ELECTRONIC CO., LTD.



Specifications

| Model | <i>i9 dp</i> | | |
|---------------------------------|--|---|--------------|
| Material | Stainless steel | | |
| Printing Performance (Per head) | 1-4 Lines(7X5matrix) 1-5 Lines(5X5 matrix) Max.speed=344m/min@5X5 | | |
| Font Matrix (Per head) | Single-Line: 5X5, 7X5, 9x6, 12X8, 16X11, 19X14, 24X17, 32X22 Twin-Line: 5X5, 7X5, 9x6, 12X8, 16X11 | 3 Lines: 5x5, 7x5, 9x6 4 Lines: 5x5, 7x5 | 5 Lines: 5x5 |
| Printing Distance | Character height: 1-12mm (Depending on font) Printing distance: 2mm to 30mm Best: 10mm | | |
| Operating System | LT-Touch unique System, Multiple Languages | | |
| Print Content | English, Chinese, Arabic Numbers, serial number, Barcode, Shift, DM/QR Code, UPC A&E, EAN 8 &13, Code 128 A, B & C, ITF 25, GS1, UCC/EAN 128, Code 39, logo, automatic date/time/expiry date, special characters, etc. | | |
| Extra Memory | USB, RS485, RS232, BCD, Ethernet | | |
| System Language | Chinese, English, Korean, Russian, Polish, Persian, Arabic, Spanish, German, Indonesian, Vietnamese, Croatian, Thai, Slovenian, Slovak, Bosnian, Portuguese, Italian, etc. customizable language | | |
| Memory Storage | 1000+Messages | | |
| Industrial Protection | IP55 | | |
| Printhead | Super soft, length 3m Constant temperature, 60μm | | |
| Printing Direction | 360°All-round printing | | |
| Cartridge Volume | Ink (750ml) Make-up (750ml) | | |
| Temperature/ Humidity range | 0-45°C 0-95% Relative Humidity, Non-condensing | | |
| Power | AC100-240V, 50/60Hz, 150VA | | |

Dimensions



LEAD TECH (ZHUHAI) ELECTRONIC CO., LTD.

Tel: +86 756-7255629

Fax: +86 756-7255638

Web: www.leadtech.ltd

Add: Floor 3/4 , Building 1, No. 728, Jinhu Road, Sanzao Town, Jinwan District, Zhuhai City