

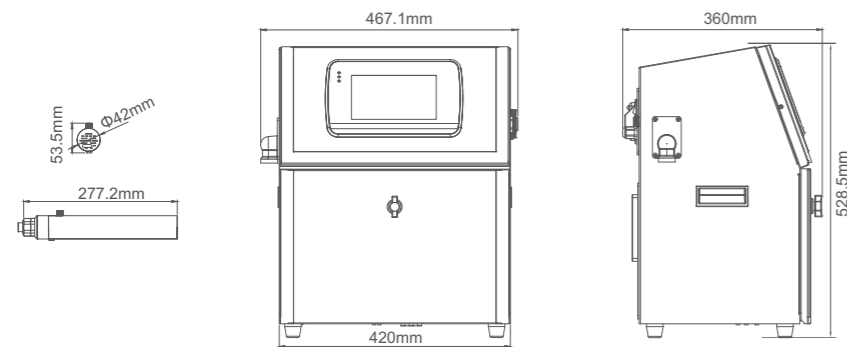
LT800 Series

Specifications

| | | |
|----------------------------|--|--------------------------------|
| Model | LT860 | |
| Material | Stainless steel | |
| Printing Performance | 1-4 Lines(7X5matrix) 1-5 Lines(5X5 matrix) Max. speed=287m/min@5X5 | |
| Font Matrix | Single-Line:5X5,7X5,9x6,12X8,16X11,19X14,24X17,32X22 Twin-Line:5X5,7X5,9x6,12X8,16X11 3 Lines:5X5,7X5,9x6 | 4 Lines:5X5,7X5 5 Lines:5X5 |
| Printing Distance | Font Height:1-15mm Printing distance:2mm to 30 mm Best : 10mm | |
| Operating System | LT-Touch unique System, Multiple Languages | |
| Print Content | English,Chinese,Arabic Numbers, serial number, Barcode, Shift, DM/QR Code, Gs1, Logo,UPC A&E, EAN 8 & 13, UCC/EAN 128,Code 128 A, B & C, Code 39, Code 125 , automatic date/time/expiry date, special characters, etc. | |
| Extra Memory | USB,RS485,Ethernet | |
| System Language | Chinese,English,Korean,Russian,Polish, Persian,Arabic,Spanish,German, Indonesian, Thai, Vietnamese, Croatian, Slovenian, Slovak, Bosnian, Portuguese, Italian,etc. | |
| Memory Storage | 1000+Messages | |
| Industrial Protection | IP55 | |
| Printhead | Super soft, length 3m constant temperature,60µm | |
| Printing Direction | 360° All-round printing | |
| Cartridge Volume | Ink (500ml) Make-up (750ml) | |
| Temperature/Humidity range | 0-45°C 0-95% Relative Humidity, Non-condensing | |
| Power | AC100-240V, 50/60Hz,80VA | |



Dimensions



LT800 Pigment CIJ

White / Yellow / Red

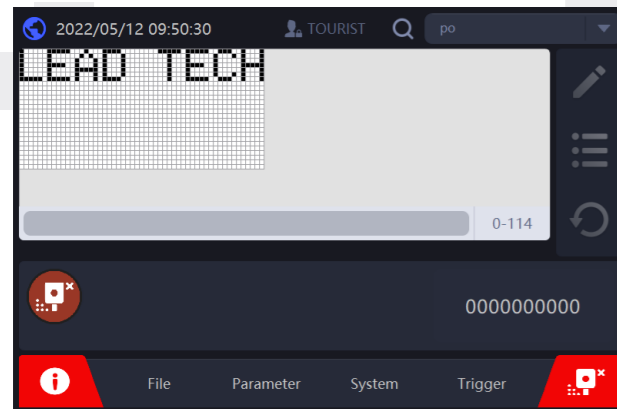
SIMPLE | FRIENDLY | SMART | RELIABLE

LEAD TECH (ZHU HAI) ELECTRONIC CO., LTD.

Tel:+86 756-7255629
Fax:+86 756-7255638
www.leadtech.ltd
E-mail:lt@leadtech.ltd
Floor 3/4, Building 1, No. 728, Jinhu Road, Sanzao Town, Jinwan District, Zhuhai City

| | | | | | | | | | |
|-------------------|----------------------|-------------------|---------------------|--------------------------------|--------------------------|--------------------------------|-----------------------|--------------------------|---------------------------------|
| 34 Dots | 60 Microns | 5 Lines | 287 m/min | 30 mm Print Distance | 1000+ Messages | 7 inch Touch Display | usb Data Interface | RS-485 Data Interface | Ethernet Data Interface |
| New Editor | Multiple Language | Ink Drain Design | Viscosity Adjust | Modular Design | Smart Cartridge | Automatic Cleaning | Mouse | LT-Touch Operation | IP55 Protection Level |

Simple

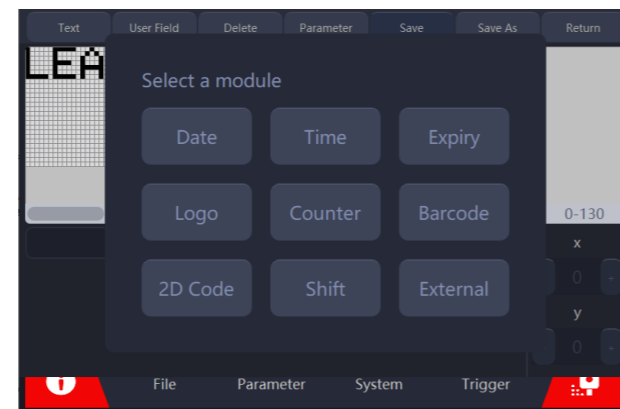


Linux System, Simple Operation

User friendly interface, allows quick operation
Easy for messages editing



Friendly



New Message Editor

Support message data drag manually

Precise adjustment by XY axis
Support message data drag into DM/QR Code
Support to edit longer message and logos join together
More suitable for pipe industry application



1000+ Messages

Reliable

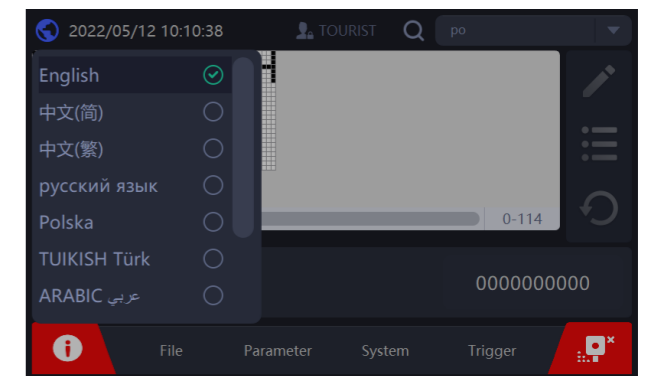


Stainless Steel Cabinet Nice Looking & Easy Cleaning

Stainless steel cabinet
stronger anti-interference



Smart



Multi-language System Support Remote Control

Real-time Monitoring printer status
Up to 14 languages system menu and keyboard
Support editing your own font by font editor
New Generation Logo Editor, for easy logo drawing

287 m/min



Unique Ink System for Pigment Printer Standalone Stir System

Special pump for running pigment ink
Anti-corrosion stainless steel tank
Modular design filter system, easy for maintenance



USB Hot Swap Function

USB external expansion, simple and flexible

Support Txt. file database save to USB
More Print Mode Selections
Support record saving when power off



Support External Data Input I/O port

RS485, USB
Ethernet



New Generation Printhead Integrated Printhead Design

Easily aligned by a small tool,
no need to disassemble,
more reliable

60 Microns



5 Lines



New Innovative Printhead

Sapphire Nozzle, Constant Temp Printhead Design

Reduce Nozzle Blockage, Less Cleaning Time
Integrated Printhead Design, Prevent Ink Leaking
Modified Font Drawing, More Beautiful
30mm Print Distance, Perfect & Clear Print
Support Large & Small Font Setting

30mm Print Distance

34 Dots

