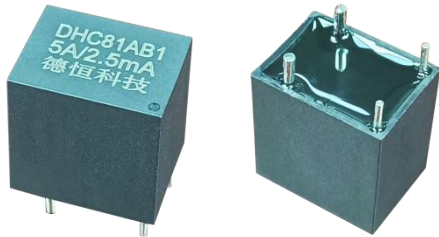


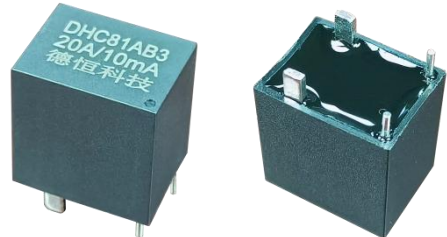
Product series: DHC81A series miniature precision current transformer

Description:

DHC81A series miniature precision current transformers have a wide range of primary current, can measure 30A current, and are small in size, especially suitable for compact product design.



The primary conductor is a $\Phi 1.2$ round copper rod, suitable for current measurement below 10A.



The primary conductor is a 1*2.2 flat copper bar, suitable for 10A-30A current measurement.

Features:

- ✦ Nanocrystalline core
- ✦ High precision and good linearity
- ✦ Built-in primary current conductor, integrated design
- ✦ Primary and secondary effective isolation, withstand voltage 3kV
- ✦ Epoxy potting, safe and reliable
- ✦ Environmental protection (RoHS)
- ✦ Flame retardant: UL94-V0

Application :

- ✦ smart meter
- ✦ smart socket
- ✦ induction cooker
- ✦ smart lighting
- ✦ smart home
- ✦ AC frequency conversion equipment
- ✦ Communication power

Advantages :

- ✦ Small size, saving space
- ✦ light weight
- ✦ Fool-proof design
- ✦ easy to use
- ✦ Big measuring range
- ✦ Wide frequency range
- ✦ Good product consistency

Standard :

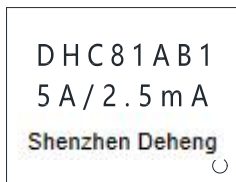
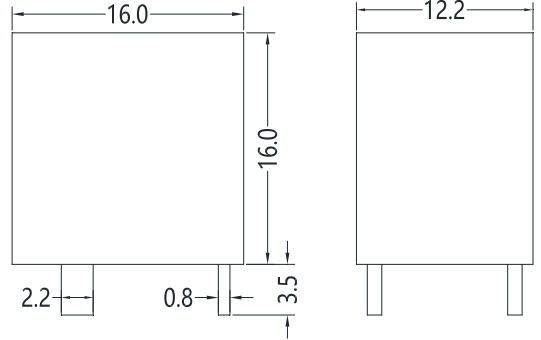
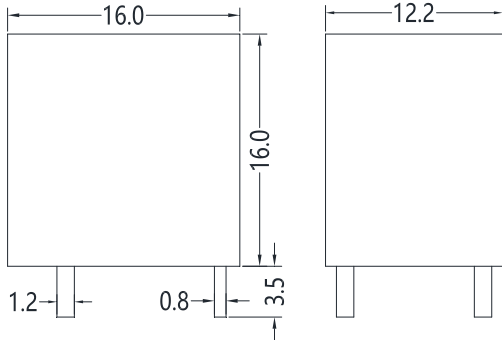
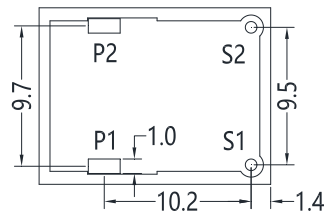
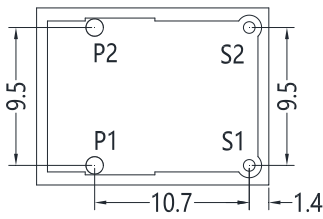
- ✦ GB 1206-2006
- ✦ JBT 10665-2016
- ✦ JJG 313-2010

Datasheet:

No	Spcification	Performance			
1	Model	DHC81AB1	DHC81AB2	DHC81AB3	DHC81AB4
2	Input current	5A	10A	20A	30A
3	Output current	2.5mA	5mA	10mA	15mA
4	Allow overload multiple	2 times	1.2 times		
5	Ratio	2000:1			
6	Ratio difference	≤0.1%			
7	Phase difference	≤5′			
8	Accuracy	0.1			
9	Linearity	≤0.1%			
10	primary conductor	Φ1.2Round Copper Rod	1*2.2 flat copper bar		
11	Load Resistance	20Ω			
12	isolation withstand voltage	3kV/2mA/1min			
13	frequency range	50/60Hz (Test frequency:50Hz)			
14	Working Temperature	-25~85°C			
15	Storage Temperature	-40~90°C			
16	Relative humidity	≤95%			

No	Spcification	Performance			
1	Model	DHC81AD1	DHC81AD2	DHC81AD3	DHC81AD4
2	Input current	5A	10A	20A	30A
3	Output current	5mA	10mA	20mA	30mA
4	Allow overload multiple	2 times	1.2 times		
5	Ratio	1000:1			
6	Ratio difference	≤0.2%			
7	Phase difference	≤10′			
8	Accuracy	0.2			
9	Linearity	≤0.2%			
10	primary conductor	Φ1.2Round Copper Rod	1*2.2 flat copper bar		
11	Load Resistance	20Ω			
12	isolation withstand voltage	3kV/2mA/1min			
13	frequency range	50/60Hz (Test frequency:50Hz)			
14	Working Temperature	-25~85°C			
15	Storage Temperature	-40~90°C			
16	Relative humidity	≤95%			

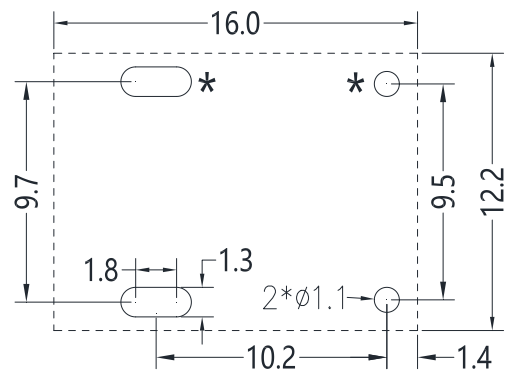
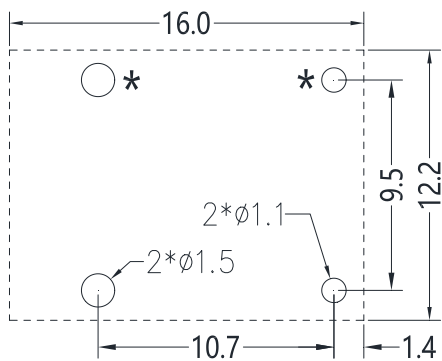
Size: (unit: mm, tolerance: ± 0.5)



The primary conductor is a round copper rod

The primary conductor is a flat copper bar

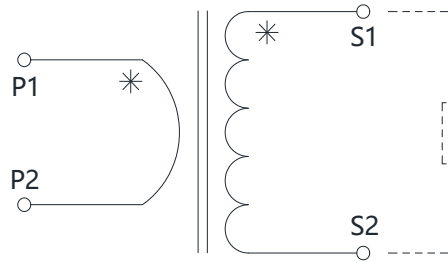
PCB Package Dimensions



The primary conductor is a round copper rod

The primary conductor is a flat copper bar

Electrical schematic diagram:



Remark:

1. This specification is a standard product. If other technical parameters are required, our company can customize it for customers.
2. When the load capacity of the transformer is exceeded, the accuracy may be reduced or saturated.