

# OVERALL EXTERIOR DECORATIVE SOLUTION PROJECT FOR ELECTRIC VEHICLE CHARGING STATIONS IN YUNNAN



## Project Overview and Building Profile

The project was recommended to us by long-time friends and collaborators, who we have worked with on several occasions in the past. Despite being somewhat outside the usual scope of Pulsat's industry expertise, our experienced and technically proficient team, after thorough discussions with the project stakeholders, confidently approached it as nothing more than a specially tailored ceiling and curtain wall project.

The project stakeholders have placed great trust in Pulsat, entrusting us with nearly the entire project, including the overall framework, LED lighting, all connectors, fasteners, and even the assembly of the main framework.

Pulsat sincerely appreciates the trust the project stakeholders have placed in us. We remain committed to our original intention of sincerity and dedication, striving to provide exemplary service to each and every customer.



### Challenge

This project is somewhat beyond Pulsat's typical industry scope, with a multitude of components including the main framework, LED lights, all connectors, fasteners, and embedded ground fixtures, among others. The assembly of both the entire structure and numerous accessories involves considerations such as load-bearing, stability, power cable routing, and the interface with advertising glass surfaces.

### Project Timeline

January 2021

### Project Location

Yunnan, China

### Exterior/Interior/Hanging System Products We Offer

Customized Series of Integrated Metal Aluminum Panels

### Application Scope

Electric Vehicle Charging Station

### Services We Offer

On-site inspection, detailed planning drawings, material selection, processing, and production for the products, as well as technical guidance and support provided during construction...



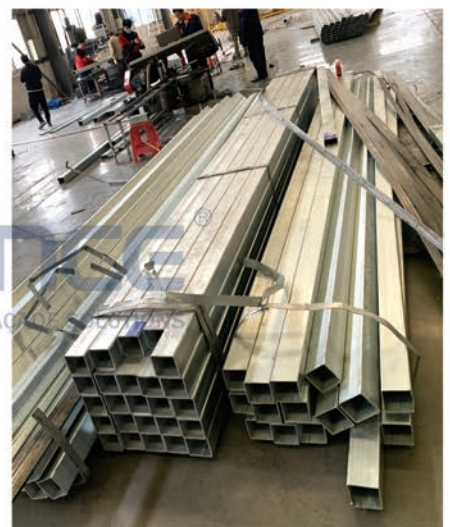
## Solution

### The Challenges Faced By This Project Are As Follows:

Regarding issues such as the load-bearing structure, stability, and power supply, Pulsat's excellent technical team quickly provided optimized product structural drawings and corresponding material solutions using rational mechanical structures based on the project drawings.

The assembly of numerous components tests Pulsat's attention to product details and control. Therefore, upon completing the products, we conducted real-time video communication with the project stakeholders while also presenting the entire assembly and debugging process to the project personnel.

### Product Assembly Schematic:







**Solution**

**Product Assembly and Testing Schematic:**

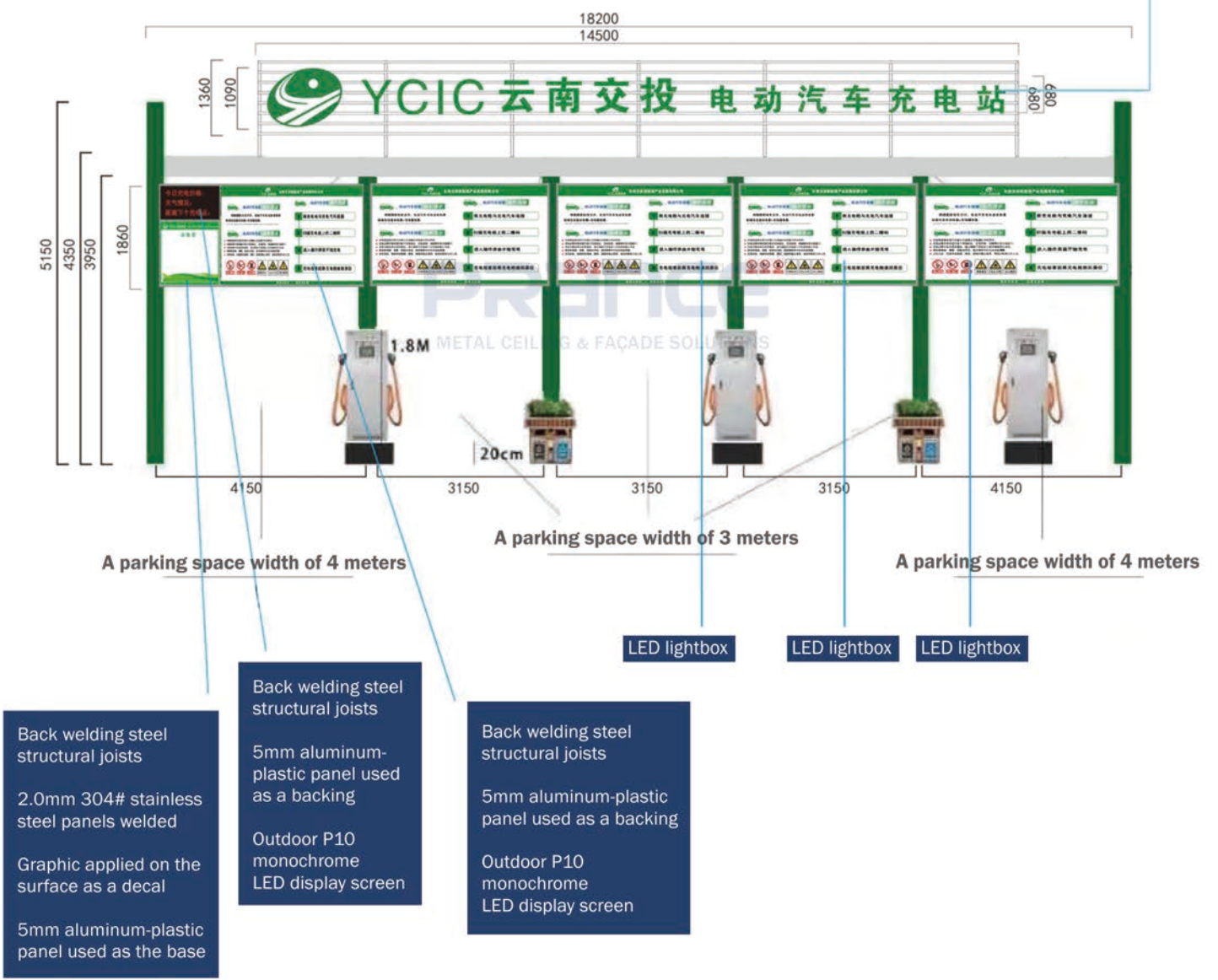


**Some Of The Design Drawings From This Project That Can be Used For Display**

Engineering drawings for the lobby area along with virtual renderings:

Note: The total length of the parking space is 5.2 meters.

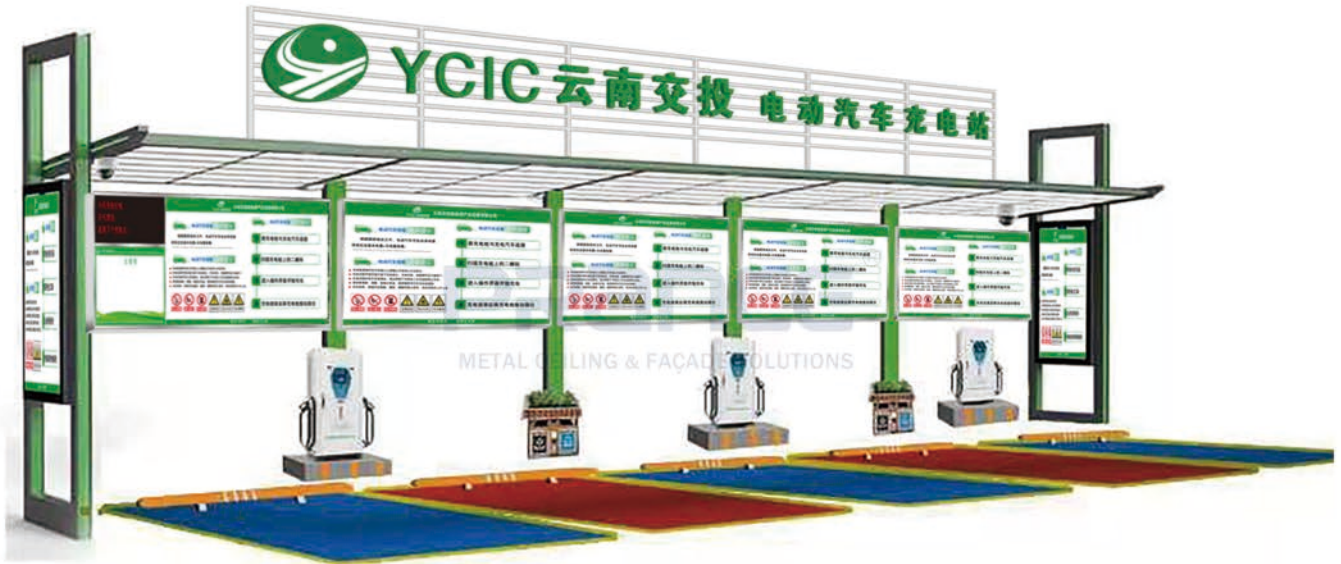
1.5mm 304# stainless steel edging welded  
Painting (anti-rust primer with green automotive topcoat)  
6mm acrylic panel cut  
Base: 20mm PVC board cut  
Built-in waterproof blue LED lights  
Side thickness: 100mm



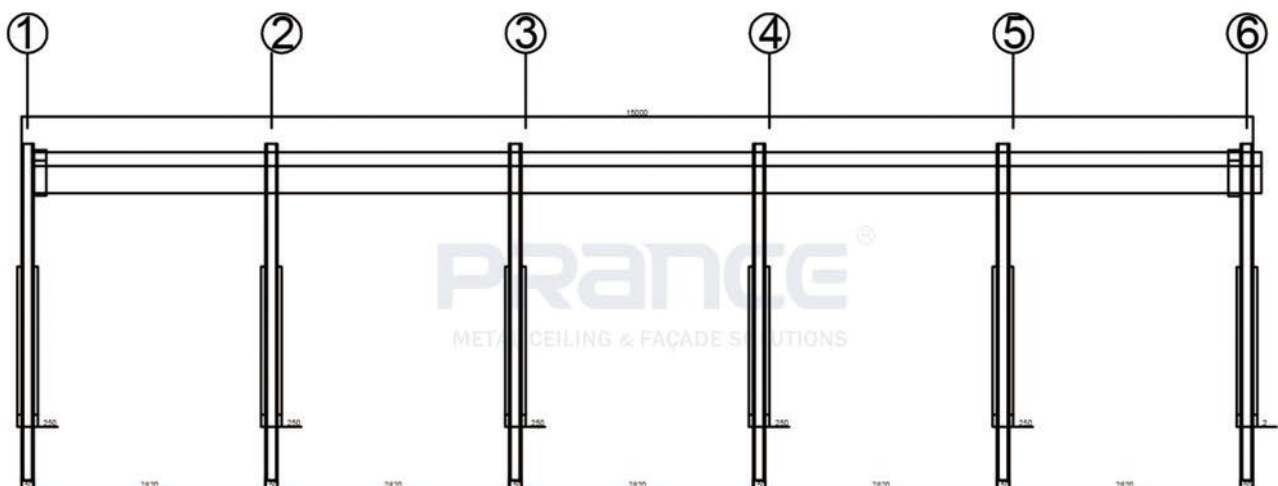




Engineering drawings for the lobby area along with virtual renderings:



**Canopy Floor Plan 1 : 100**



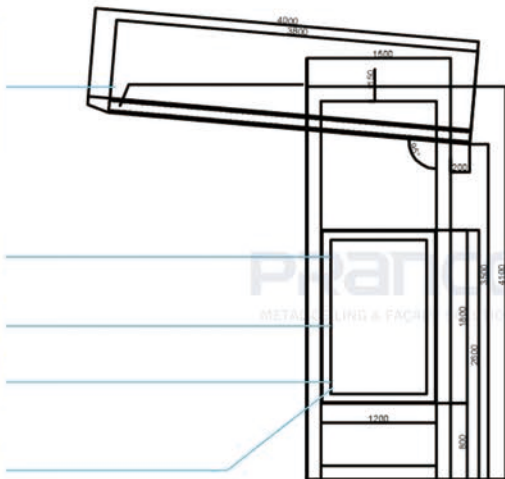
Ceiling: Frame 100\*100\*6mm  
Upper closure panel: 2.0mm thick aluminum sheet  
Enclosure panel: 2.3mm PC sheet

Columns: 6.0mm galvanized steel pipe + aluminum profile

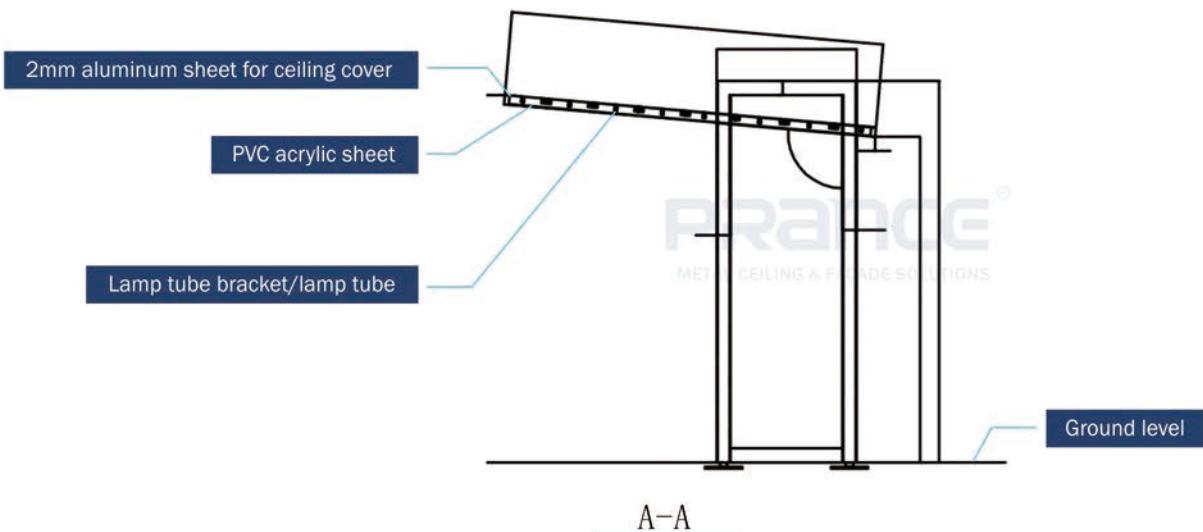
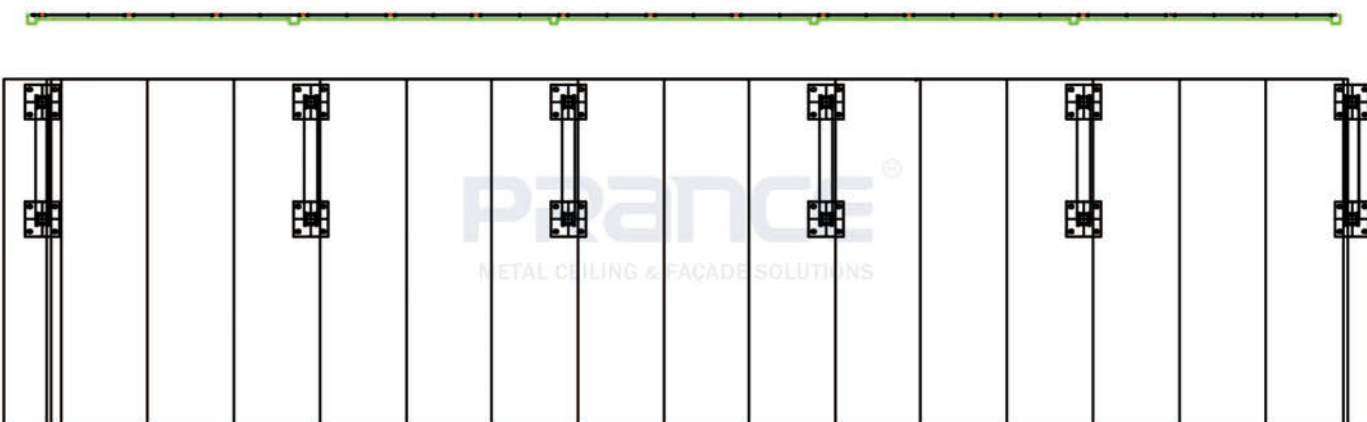
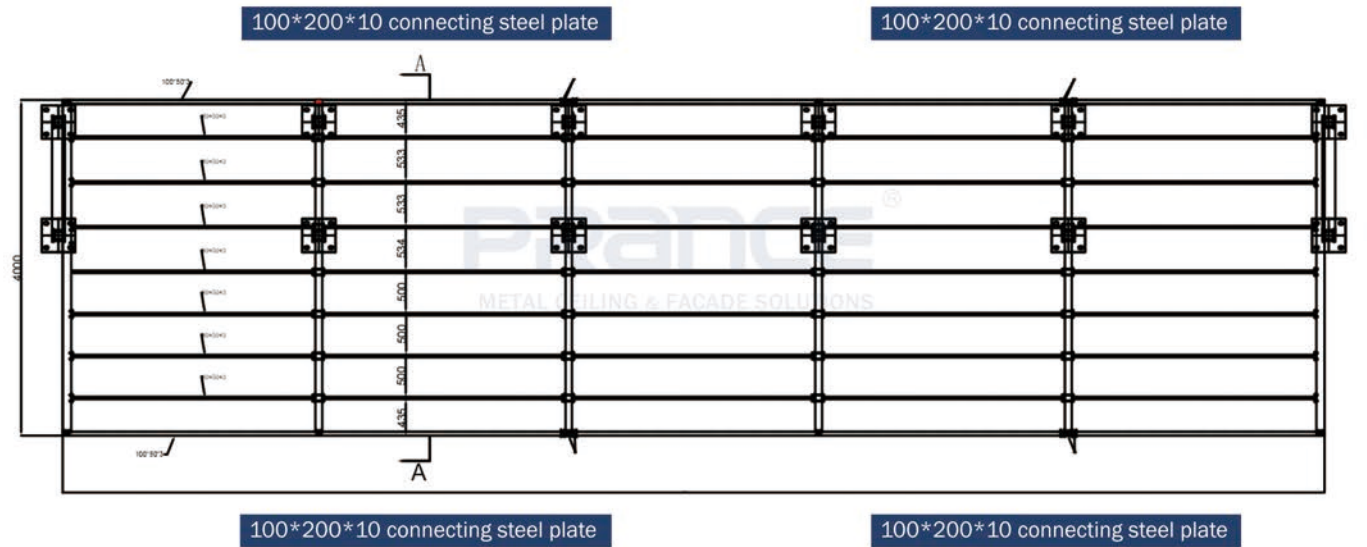
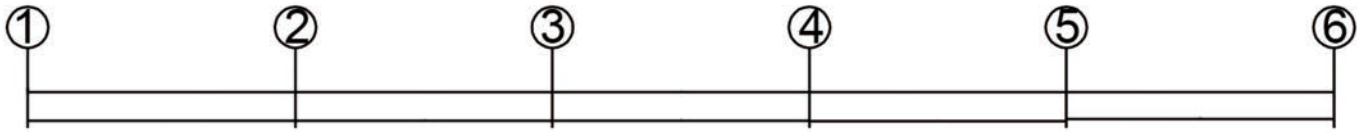
Door frame: 3mm thick aluminum alloy profile

Enclosure: 3.0mm galvanized steel sheet CNC folded

8mm silk-screened black border toughened glass



**Canopy Floor Plan 1 : 100**





**Installation Site Diagram**












**Installation Site Diagram**





## **PRANCE METALWORK BUILDING MATERIAL CO.,LTD**

Facebook  / LinkedIn  : Prance Metalwork Building Material

Instagram  / YouTube  / Pinterest  : prance\_metalwork

Http: //www.prancebuilding.com      Tel: +86-757-83138155

E-Mail: info@prancebuilding.com      Fax: +86-757-83139722

**Office:** 3F,1st Building,No.11 Gangkou Rd,Chancheng,Foshan,Guangdong.

**Factory:** 169, South Area, Base of Electrical and Electronic Industry,Baini, Sanshui, Foshan, Guangdong.