

SSE-HH3K-6K-P1EU

Single Phase Hybrid Inverter

Residential Use



10Years Warranty

IP 65



Easy to-install



A variety of intelligent working modes



Remote monitoring via APP or Web



Support wide range battery voltage,85-460v



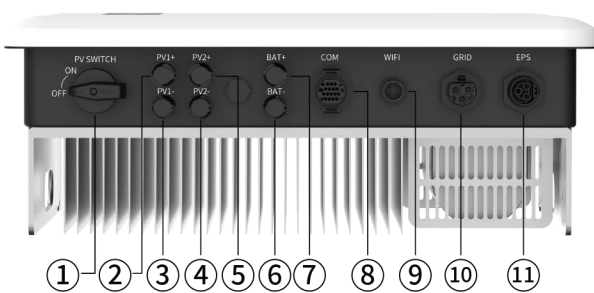
IP65, fanless design,long lifespan



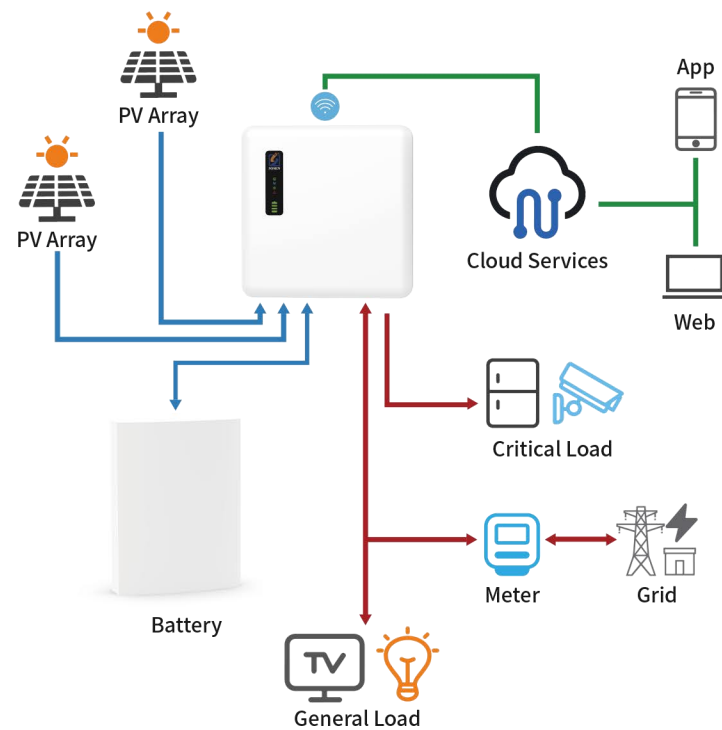
With UPS function, switch time<20ms

Product Characteristics

Product Application Diagram



- 1.PV SWITCH
- 2.PV1+
- 3.PV1-
- 4.PV2-
- 5.PV2+
- 6.BAT-
- 7.BAT+
- 8.COM
- 9.WIFI
- 10.GRID
- 11.EPS



TECHNICAL SPECIFICATION					
Model	SSE-HH3K-P1-EU	SSE-HH3K7-P1EU	SSE-HH4K6-P1-EU	SSE-HH5K-P1-EU	SSE-HH6K-P1-EU
INVERTER OUTPUT					
Rated Power	3000W+3000W (bypass)	3680W+3680W (bypass)	4600W+4600W (bypass)	5000W+5000W (bypass)	6000W+6000W (bypass)
Voltage (nominal)	220/230/240V a.c, L+N+PE				
Frequency(nominal)	50/60Hz				
Power Factor	0.8 leading to 0.8 lagging				
Wave Form	Pure sine wave				
Switch Time	<20ms				
Current(maximum continuous)	13A a.c	16A a.c	20A a.c	21.7A a.c	26.1A a.c
Maximum Output Over-current Protection	250V a.c/60 Aa.c				
BATTERY					
Battery Type	Li-ion/lead-acid				
Voltage (nominal or range)	85-460V d.c	85-460V d.c	85-460V d.c	85-460V d.c	85-460V d.c
Nominal Battery Voltage	300V d.c	300V d.c	300V d.c	300V d.c	300V d.c
Discharge Current (maximum continuous)	35A d.c	35A d.c	35A d.c	35A d.c	35A d.c
Charge Current (maximum continuous)	35A d.c	35A d.c	35A d.c	35A d.c	35A d.c
Reverse Connect Protection	Yes	Yes	Yes	Yes	Yes
PV INPUT					
PV Charging Mode	MPPT				
MAX.PV Input Power	3000W	3680W	4140W	4500W	4500W
Max.DC Voltage	600V d.c				
MPPT Voltage Range	80-550V d.c				
Max.Input Current	16/16 A d.c				
Isc PV(absolute maximum)	24/24A d.c				
EPS OUTPUT					
EPS Rated Output Voltage	220/230/240V a.c, L+N+PE				
EPS Rated Output Frequency	50/60Hz				
EPS Rated Output Active Power	3000W	3680W	4600W	5000W	6000W
EPS RatedOutput Apparent Power	3000VA	3680VA	4600VA	5000VA	6000VA
EPS RatedOutputCurrent	13A a.c	16A a.c	20A a.c	21.7A a.c	26.1A a.c
EPS Output PowerFactor	0.8 leading to 0.8 lagging				
EPS OutputPeakPower	6600VA(<10s)				
EPS Output Inrush Current	96A a.c@ 3us				
EPS Max.Output Fault Current	96A a.c @ 3 μs				
EPS Max.Output Over-current Protection	250V a.c /60 A a.c				
Switch Time	<20ms				
EFFICIENCY					
MPPT Efficiency	99.90%				
Euro-efficiency	97.00%				
Max.efficiency	97.80%				
PROTECTION & FEATURE					
Insulation Monitoring	Yes				
Residual Current Monitoring	Yes				
Parallel Function	Yes				
Protection Degree	IP65				
Certifications	CEI0-21,EN 50549 -1,VDE -AR-N 4105,UNE 217002,NTS TYPEA, G99, AS/NZS 4777.2				
Other Protection	Overload/Over temperature,Short circuit protection				
GENERAL PARAMETER					
Storage Temperature	25-+60C				
Operating Temperature	"-25°C to 60°C"(linely derating to 80% when exceed +45 to+60C)				
Humidity	0-100%(non-condensing)				
Altitude	<2000 m				
Noise	<25dB				
Dimensions(L*W*H)	480x480x180mm				
Shipping Dimensions (L*W*H)	580x580x320mm				
Machine Weight/ N.W.	20kg				
Shipping Weight/G.w.	25kg				
ActiveAnti-islandingMethod	Active frequency drift				
DISPLAY and COMMUNICATION					
Display	LED				
Interface	CAN/RS485/Bluetooth/WIFI(Optional)				