

SSE-HH8K-12K-P3EU

Three Phase Hybrid Inverter

Residential Use

10Years Warranty

IP 65



Easy Access
Accessible through WiFi and Web



Diverse Modes
A variety of application scenario modes to meet the applications of different battery packs, photovoltaic panels and loads



Diverse Interface
Interfaces including lithium battery BMS communication card, and WiFi card



Flexibility
Support single-phase 100% unbalanced load operation under off-grid, adapt to a variety of load scenarios.

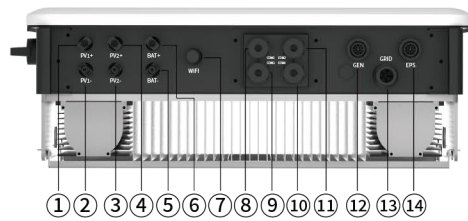


Safe
360 degree of security from hardware to software

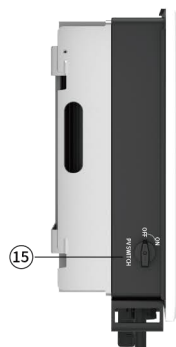


IP65
Fanless design, long lifespan

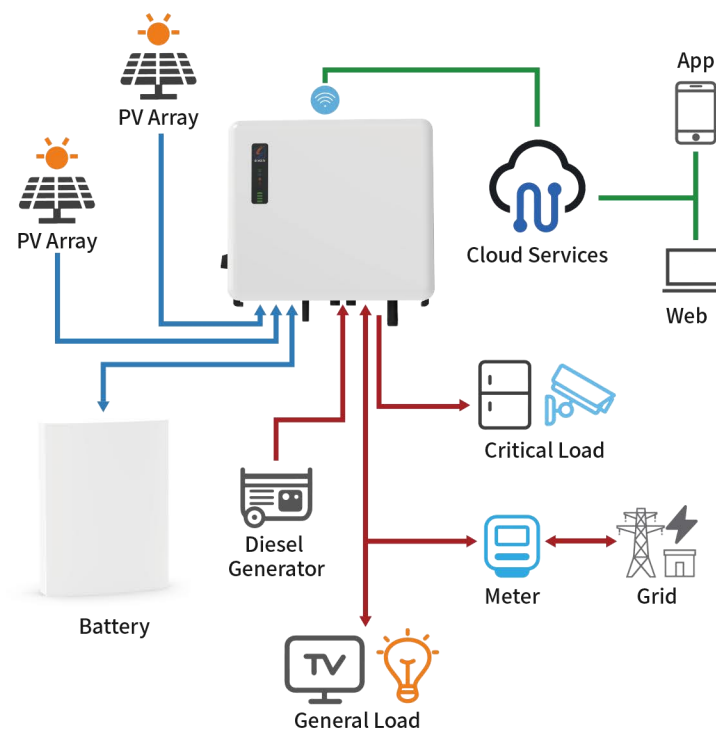
Product Characteristics



- 1.PV1+
- 2.PV1-
- 3.PV2-
- 4.PV2+
- 5.BAT-
- 6.BAT+
- 7.WIFI
- 8.COM1
- 9.COM3
- 10.COM4
- 11.COM2
- 12.GEN
- 13.GRID
- 14.EPS
- 15.PV SWITCH



Product Application Diagram



TECHNICAL SPECIFICATION			
Model	SSE-HH8K-P3EU	SSE-HH10K-P3EU	SSE-HH12K-P3EU
AC INPUT/OUTPUT			
Rated Power	8KW	10KW	12KW
Voltage (nominal or range)	400/230 V a.c., 3W+N+PE		
Frequency (nominal or range)	50/60Hz		
Power Factor Range	0.8lagging-0.8leading		
Wave Form	Pure Sine Wave		
Switch Time	<10ms		
Current(maximum continuous)	12.8A a.c	15.9A a.c	19.1A a.c
Maximum Output Over-current Protection	250Va.c/60A a.c		
BATTERY			
Battery Type	Lithium/Lead-acid		
Voltage (nominal or range)	125-800 Vd.c		
Nominal Battery Voltage Range	200-800 Vd.c	250-800 Vd.c	300-800 Vd.c
Discharge Current (maximum continuous)	40 Ad.c		
Charge Current (maximum continuous)	40 Ad.c		
Reverse Connect Protection	Yes		
PV INPUT			
PV Charging Mode	MPPT		
MAX.PVInput Power	12KW	15KW	18KW
Max.DC Voltage	1000V		
MPPT Voltage Range	150-950Vd.c		
Start-up Voltage	200V d.c		
Max. operating PV input current	16/16 A d.c		
Isc PV (absolute maximum)	24/24 Ad.c		
EPS OUTPUT			
EPS Rated output Voltage	400/230 V a.c.,3W+N+PE		
EPS Rated Output Frequency	50/60Hz		
EPS Rated Output Active Power	8000W	10000W	12000W
EPS Rated Output Apparent Power	8000VA	10000VA	12000VA
EPS Rated Output Current	11.6A a.c	14.5A a.c	17.4A a.c
EPS Output Power Factor	0.8lagging-0.8leading		
EPS Output Peak Power	8.8KW	11KW	13.2KW
EPS Output inrush Current	50 A a.c @10ms		
EPS Max. Output Fault Current	50 A a.c @10ms		
EPS Max.Output Over-current Protection	400V a.c /60A a.c		
Switch Time	<10ms		
EFFICIENCY			
MPPT Efficiency	99.90%		
Euroefficiency	97.50%		
DCMax.efficiency	98%		
PROTECTION & FEATURE			
Insulation Monitoring	Yes		
Residual Current Monitoring	Yes		
Parallel Function	Yes		
Protection Degree	I		
Certifications	CEI0-21,EN 50549 -1,VDE -AR-N 4105,UNE 217002,NTS TYPEA, G99.		
Other Protection	Output over voltage protection, Output over curent protection, short circuit protection, surge protection, Temperature protection		
GENERAL PARAMETER			
Storage Temperature	-25°C ~60°C		
Operating Temperature	-25°C to 60°C (linely derating to 60% when exceed 45°C ~60°C)		
Humidity	0-100%(no-condensing)		
Altitude	4,000m(>2,000 Derating)		
Noise	<5dB		
Dimensions (L*W*H)(mm)	600x210x530		
Shipping Dimensions (L*W*H)(mm)	660x250x580		
Machine Weight/ N.w.(kg)	35KG		
Shipping Weight/G.w.(kg)	42KG		
Active Antisliding Method	Active Frequency Drift		
DISPLAY and COMMUNICATION			
Display	LED		
Interface	RS485/WiFi/4G/Bluetooth/CAN/DRM		