

SSE-HL3K-7K-P1EU

Single Phase Hybrid Inverter

Residential Use



10Years Warranty

IP 65



Easy to-install



A variety of intelligent working modes



Remote monitoring via APP or Web



Support BMS communication

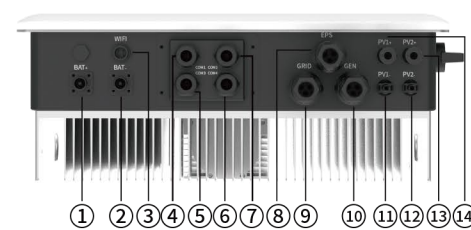


IP65, fanless design, long lifespan

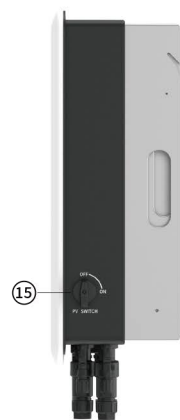


With UPS function, switch time < 10ms

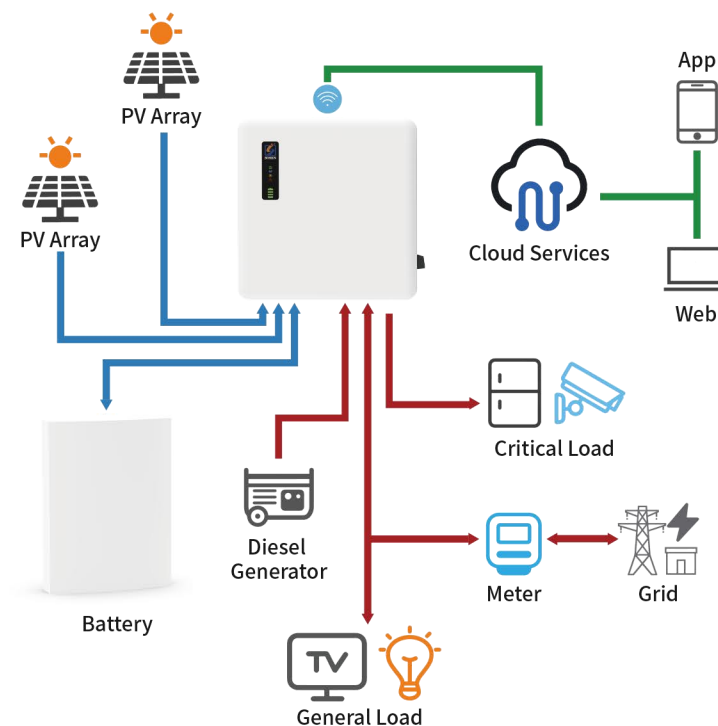
Product Characteristics



- 1. BAT+
- 2. BAT-
- 3. WIFI
- 4. COM1
- 5. COM3
- 6. COM4
- 7. COM2
- 8. EPS
- 9. GRID
- 10. GEN
- 11. PV1-
- 12. PV2-
- 13. PV2+
- 14. PV1+
- 15. PV SWITCH



Product Application Diagram



TECHNICAL SPECIFICATION							
Model	SSE-HL3K-P1EU	SSE-HL3K6-P1EU	SSE-HL4K-P1EU	SSE-HL4K6-P1EU	SSE-HL5K-P1EU	SSE-HL6K-P1EU	SSE-HL7K-P1EU
INVERTER OUTPUT							
Rated Power	3000w	3600w	4000w	4600w	5000w	6000w	7000w
Voltage (Nominal or Range)	230/176~270Va.c,L+N+PE						
Frequency (Nominal or Range)	50/60Hz						
Power Factor Range	0.8 leading to 0.8 lagging						
Wave Form	Pure sine wave						
Switch Time	<10ms						
Current(MaximumContinuous)	13A a.c	15.6A a.c	17.4A.a.c	20A a.c	21.7A a.c	26.1A a.c	30.4A a.c
Max. Output Overcurrent Protection	Support						
BATTERY							
Battery Type	Li-ion/Lead-acid						
Voltage (Nominal or Range)	45-58V						
Nominal Battery Voltage	45-58V	45-58V	45-58V	45-58V	45-58V	45-58V	45-58V
Max. Charge Current	60A d.c	70A d.c	80A d.c	90 A d.c	100A d.c	110A d.c	120A d.c
Max. Discharge Current	60A d.c	70A d.c	80A d.c	90 A d.c	100A d.c	110A d.c	120A d.c
Reverse Connect Protection	Support						
PV INPUT							
PV Charging Mode	MPPT						
NO.of MPPT Tracker	2						
Max. PV Array Power	4500W	5400W	6000W	6900W	7500W	9000W	9000W
Max.DC Voltage(V)	550V d.c						
MPPT Voltage Range(V)	120-500V d.c						
Max.Input Current	16/16A d.c						
Isc PV (AbsoluteMaximum)	24/24A d.c						
EPS OUTPUT							
EPS RatedOutput Voltage	230V a.c						
EPS RatedOutput Frequency	50/60Hz						
EPS RatedOutput Active Power	3000W	3600W	4000W	4600W	5000W	6000W	7000W
EPS RatedOutput ApparentPower							
EPS RatedOutputCurrent	13A a.c	15.6A a.c	17.4A a.c	20A a.c	21.7A a.c	26.1A a.c	30.4A a.c
EPS Output Power Factor	0.8leading to 0.8lagging						
Overload capacity	110%30s/ 120% 10s/ 150% 0.02s						
EPS Output Inrush Current	96Aa.c@ 3μ s						
EPS Max.Output FaultCurrent	96Aa.c@ 3μ s						
EPS Max.Output Overcurrent Protection	250Va.c/63Aa.c						
Switch Time	<10ms						
EFFICIENCY							
MPPT Efficiency	99.90%						
Euro-efficiency	97.00%						
Max.Efficiency	97.80%						
PROTECTION & FEATURE							
Insulation Monitoring	Yes						
Residual Current Monitoring	Yes						
Parallel Function	Yes						
Protection Degree	IP65						
certifications	CEI0-21,EN 50549-1,VDE-AR-N 4105, UNE 217002,NTSTYPEA, G99,AS/NZS 4777.2						
Other Protection	Overload/over temperature,shortcircuit protection						
GENERAL PARAMETER							
Storage Temperature	-25~+60C						
Operating Temperature	-25~+60°C(Linely derating to 80% when exceed +45 to +60°C)						
Humidity	0-100%(Non-condensing)						
Altitude	2000 m(>2000 Derating)						
Noise	<35dB						
Dimensions (L*W*H)(mm)	556*506*206mm						
Shipping Dimensions (L*W*H)(mm)	650*592*375mm						
Machine Weight/ N.w.(kg)	25.6kg						
Active Anti-islandingMethod	Support						
DISPLAY& COMMUNICATION							
Display	LED						
Interface	CAN/RS485/Bluetooth/WIFI/4G/DRM						