



UNDERMOUNT  
SLIDES **B**

隐藏轨系列

PAGE - 038-055



Today, with the rapid development of hardware industry, the home furnishing market put forward higher requirement for the hardware. Aosite always stand in a new industry perspective, using excellent and innovative technology to build the new hardware quality standard.

# 二节缓冲隐藏轨

HALF EXTENSION UNDERMOUNT DRAWER SLIDES

( WITH BOLT LOCKING ) UP05 (16/19板) 插锁款

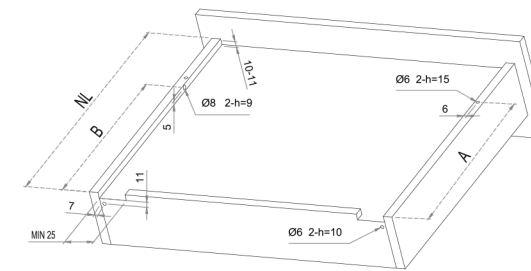


主要材质: 镀锌钢板  
 最大承重: 25kg  
 滑轨厚度: 1.5\*1.5mm  
 开合力度可调: +25%  
 产品功能: 静音效果, 内置缓冲装置使抽屉关闭轻柔安静

Main material: Galvanized steel  
 Loading capacity: 25kg  
 Thickness: 1.5\*1.5mm  
 Adjustable Opening And Closing Strength: +25%  
 Product Features: Silent system, The built-in damper makes the door close gentle and quietly

AOSITE®

UNDERMOUNT SLIDES  
 隐藏轨系列

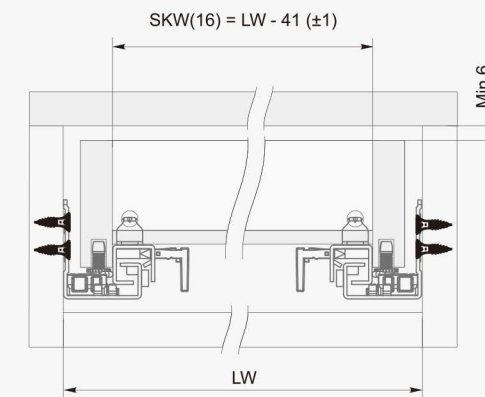


NL	250	270	300	350	400	450	500	550	600
A	220	230	245	270	305	330	355	390	415
B	188	198	213	238	273	298	323	358	383

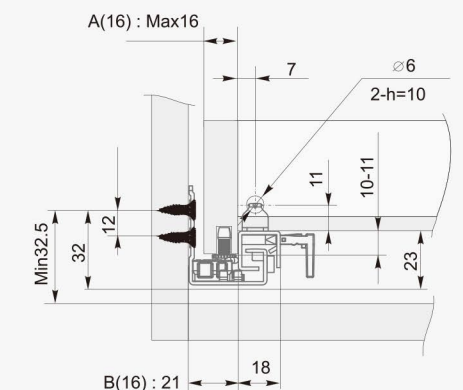
订购编号/Model: UP05

## 安装尺寸/ Installation dimensions

2节2/3拉出隐藏式缓冲滑轨 (16侧板) Half-extension undermount drawer slide 16MM

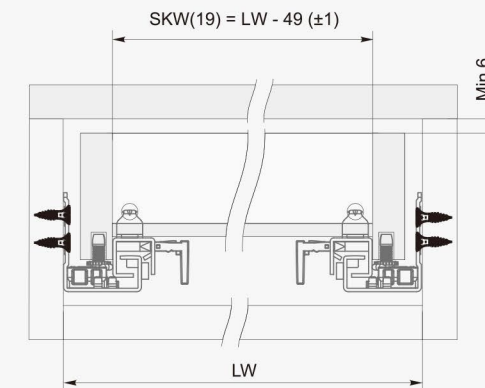


LW - Cabinet inner width LW - 橱柜内宽  
 SKW(16) - Drawer inner width (≤16mm drawer side thickness)  
 SKW (16) - 抽屉内宽 (≤16mm 抽屉侧厚)

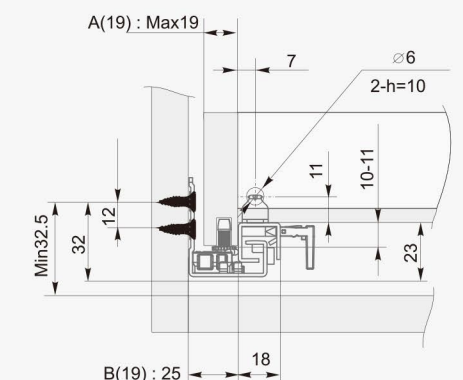


A(16): Be used for slide rails with a drawer side  
 A (16) : 用于抽屉侧滑轨  
 B(16): thickness less than 16mm  
 B (16) : 厚度不大于16mm

2节2/3拉出隐藏式缓冲滑轨 (19侧板) Half-extension undermount drawer slide 19MM



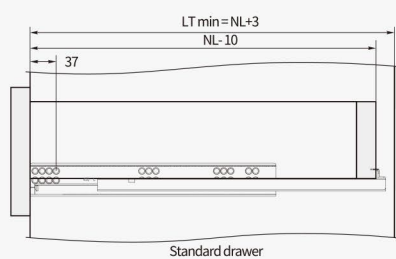
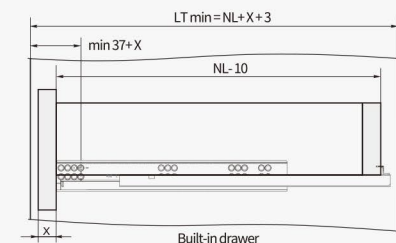
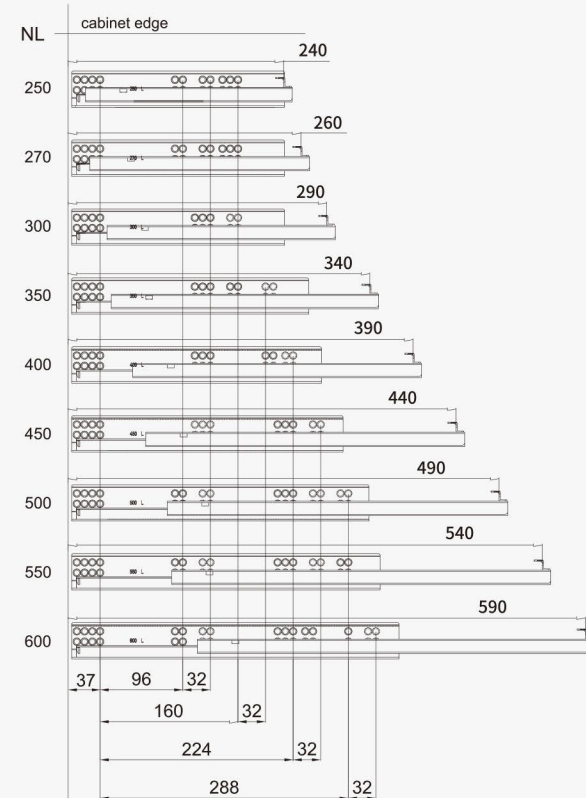
LW - Cabinet inner width LW - 橱柜内宽  
 SKW(19) - Drawer inner width (≤19mm drawer side thickness)  
 SKW (19) - 抽屉内宽 (≤19mm 抽屉侧厚)



A(19): Be used for slide rails with a drawer side  
 A (19) : 用于抽屉侧滑轨  
 B(19): thickness less than 19mm  
 B (19) : 厚度不大于19mm

## 产品信息/ Product information

### 安装尺寸 Installation dimensions



LT - Cabinet inner depth LT - 柜子内部深度  
 NL - Nominal slide length NL - 规格长度  
 X - Board thickness X - 面板厚度

# 三节缓冲隐藏轨

FULL EXTENSION SOFT CLOSING UNDERMOUNT DRAWER SLIDES

( WITH HANDLE ) UP12、UP07 (16/19 板) 把手款



AOSITE®

UNDERMOUNT SLIDES  
隐藏轨系列



主要材质:镀锌钢板  
最大承重:30kg  
滑轨厚度:1.8\*1.5\*1.0mm  
开合力度可调:+25%  
产品功能:静音效果,内置缓冲装置使抽屉关闭轻柔安静

Main material: Galvanized steel  
Loading capacity: 30kg  
Thickness: 1.8\*1.5\*1.0mm  
Adjustable Opening And Closing Strength: +25%  
Product Features: Silent system, The built-in damper makes the door close gentle and quietly



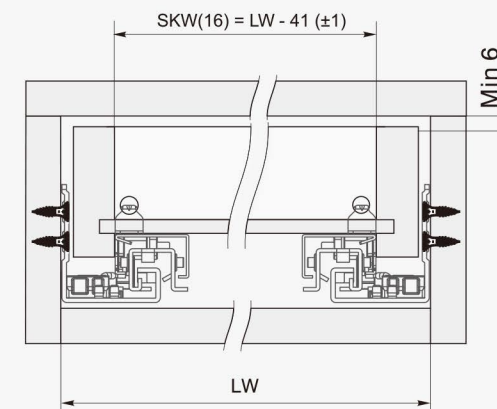
订购编号/ Model: UP12 (一维把手)



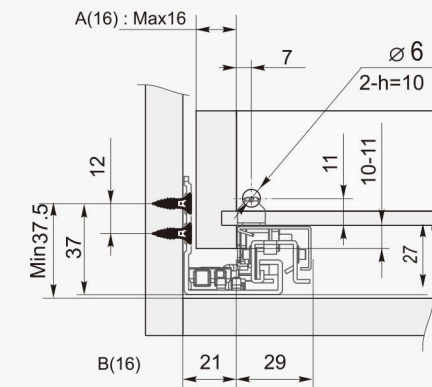
订购编号/ Model: UP07 (三维把手)

## 安装尺寸/ Installation dimensions

三节全拉出隐藏式缓冲滑轨 (16侧板) Full-extension undermount drawer slide 16MM

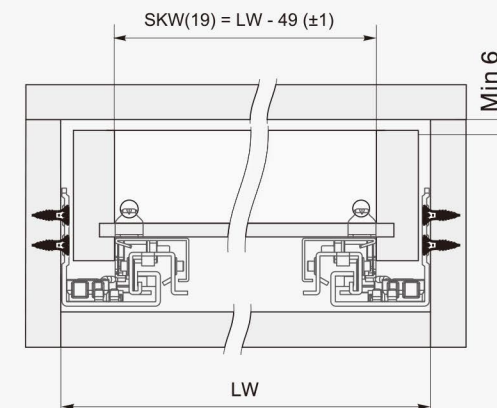


LW - Cabinet inner width LW - 橱柜内宽  
SKW(16) - Drawer inner width (≤16mm drawer side thickness)  
SKW (16) - 抽屉内宽 (≤16mm抽屉侧厚)

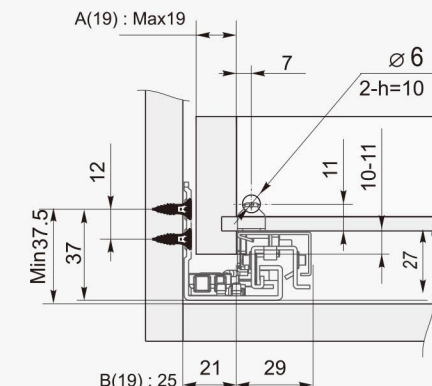


A(16): Be used for slide rails with a drawer side  
A (16) : 用于抽屉侧滑轨  
B(16): thickness less than 16mm  
B (16) : 厚度不大于16mm

三节全拉出隐藏式缓冲滑轨 (19侧板) Full-extension undermount drawer slide 19MM



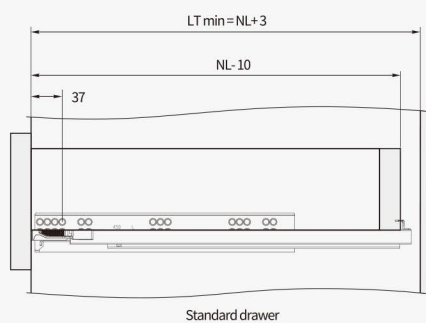
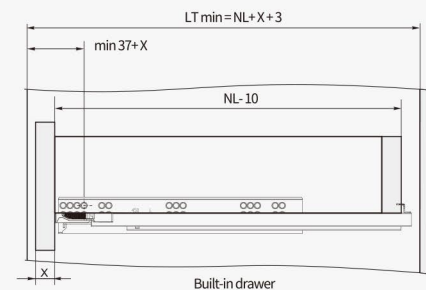
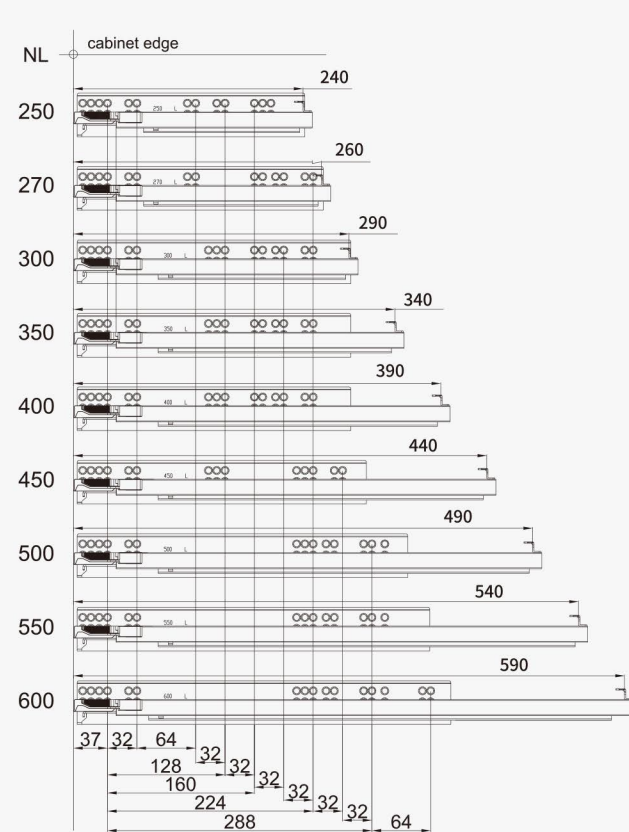
LW - Cabinet inner width LW - 橱柜内宽  
SKW(19) - Drawer inner width (≤19mm drawer side thickness)  
SKW (19) - 抽屉内宽 (≤19mm抽屉侧厚)



A(19): Be used for slide rails with a drawer side  
A (19) : 用于抽屉侧滑轨  
B(19): thickness less than 19mm  
B (19) : 厚度不大于19mm

## 产品信息/ Product information

### 安装尺寸 Installation dimensions



LT - Cabinet inner depth LT - 橱柜内部深度  
NL - Nominal slide length NL - 规格长度  
X - Board thickness X - 面板厚度

# 三节缓冲隐藏轨

FULL EXTENSION SOFT CLOSING UNDERMOUNT DRAWER SLIDES

( WITH BOLT LOCKING ) UP11 (16/19板) 插锁款



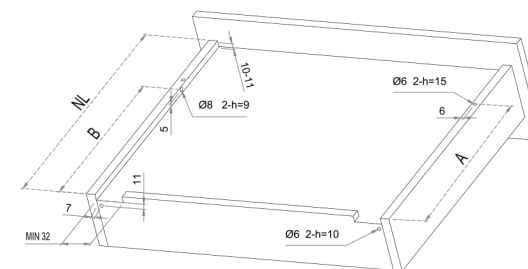
主要材质: 镀锌钢板  
 最大承重: 30kg  
 滑轨厚度: 1.8\*1.5\*1.0mm  
 开合力度可调: +25%  
 产品功能: 静音效果, 内置缓冲装置使抽屉关闭轻柔安静

Main material: Galvanized steel  
 Loading capacity: 30kg  
 Thickness: 1.8\*1.5\*1.0mm  
 Adjustable Opening And Closing Strength: +25%  
 Product Features: Silent system, The built-in damper makes the door close gentle and quietly

AOSITE®

UNDERMOUNT SLIDES  
 隐藏轨系列

B

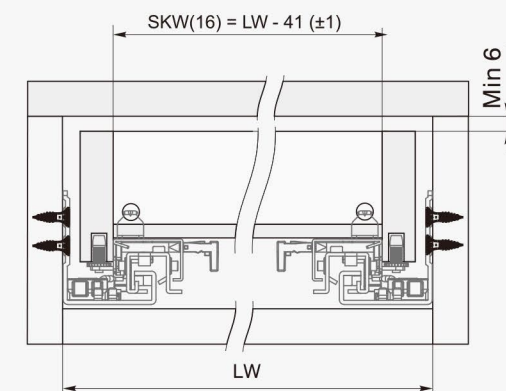


NL	240	260	290	340	390	440	490	540	590
A	190	205	245	270	305	330	355	390	415
B	200.5	215.5	255.5	280.5	319.5	369.5	419.5	469.5	519.5

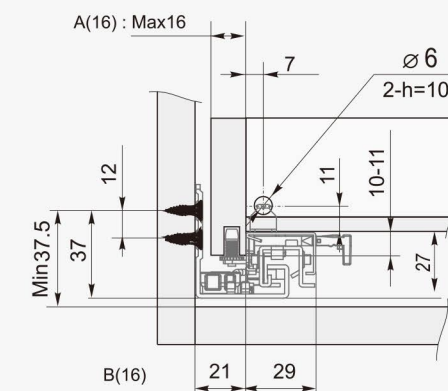
订购编号/Model: UP11

## 安装尺寸/ Installation dimensions

三节全拉出隐藏式缓冲滑轨 (16侧板) Full-extension undermount drawer slide 16MM

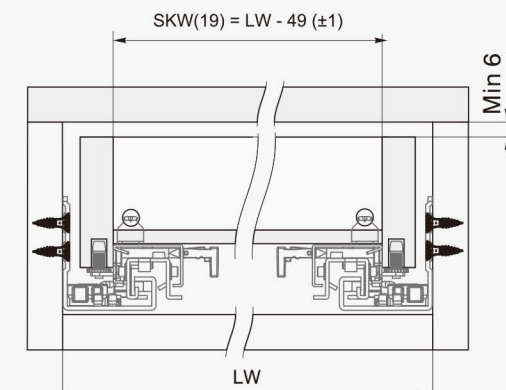


LW - Cabinet inner width LW - 橱柜内宽  
 SKW(16) - Drawer inner width (≤16mm drawer side thickness)  
 SKW (16) - 抽屉内宽 (≤16mm抽屉侧厚)

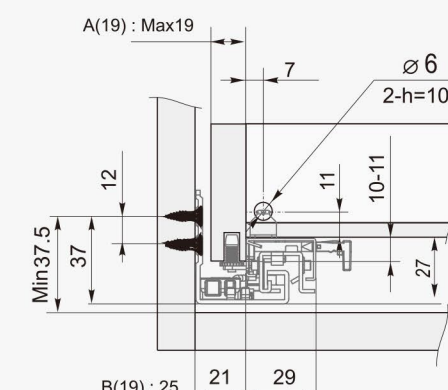


A(16): Be used for slide rails with a drawer side  
 A (16) : 用于抽屉侧滑轨  
 B(16): thickness less than 16mm  
 B (16) : 厚度不大于16mm

三节全拉出隐藏式缓冲滑轨 (19侧板) Full-extension undermount drawer slide 19MM



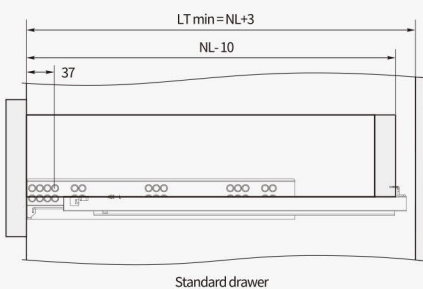
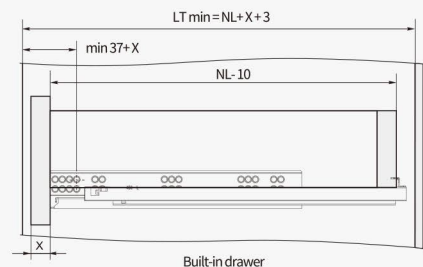
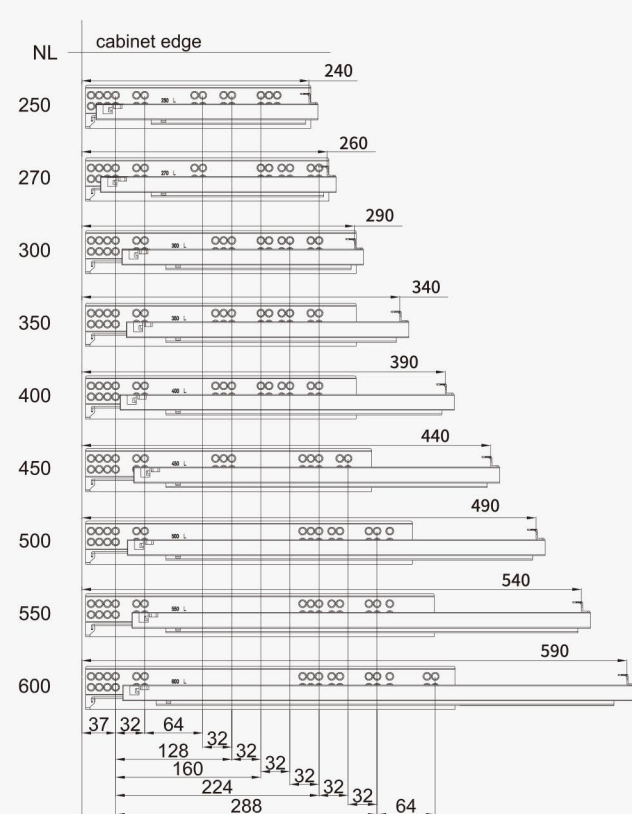
LW - Cabinet inner width LW - 橱柜内宽  
 SKW(19) - Drawer inner width (≤19mm drawer side thickness)  
 SKW (19) - 抽屉内宽 (≤19mm抽屉侧厚)



A(19): Be used for slide rails with a drawer side  
 A (19) : 用于抽屉侧滑轨  
 B(19): thickness less than 19mm  
 B (19) : 厚度不大于19mm

## 产品信息/ Product information

安装尺寸 Installation dimensions



LT - Cabinet inner depth LT - 柜子内部深度  
 NL - Nominal slide length NL - 规格长度  
 X - Board thickness X - 面板厚度

# 三节反弹隐藏轨

FULL EXTENSION PUSH TO OPEN UNDERMOUNT DRAWER SLIDES

(WITH HANDLE) UP09、UP14 (16/19板) 把手款



主要材质: 镀锌钢板  
 最大承重: 30kg  
 滑轨厚度: 1.8\*1.5\*1.0mm  
 产品功能: 反弹装置使抽屉轻推即开启, 免拉手安装

Main material: Galvanized steel  
 Loading capacity: 30kg  
 Thickness: 1.8\*1.5\*1.0mm  
 Product Features: The rebound device makes the drawer open when pushing it lightly, handles-free design

AOSITE®

UNDERMOUNT SLIDES  
 隐藏轨系列

B



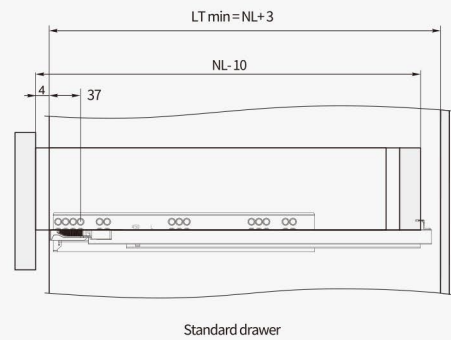
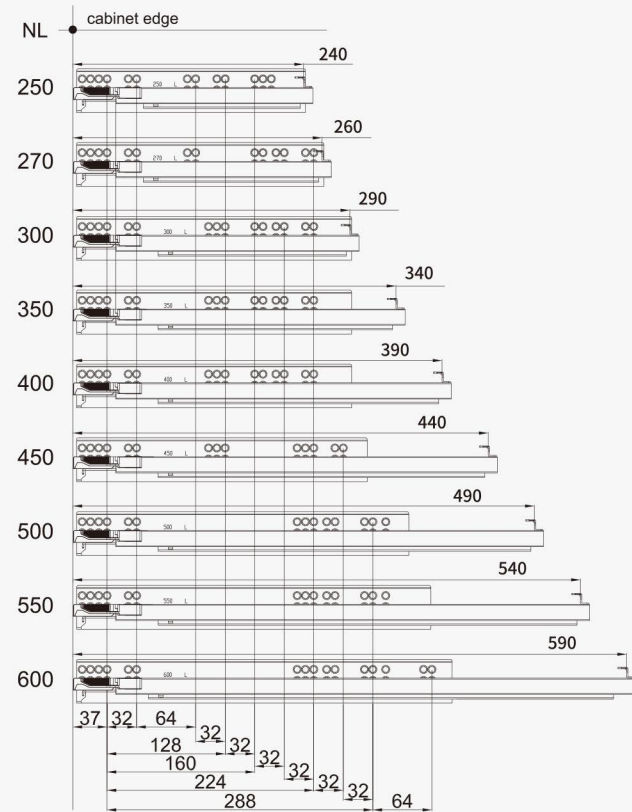
订购编号/Model: UP09 (一维把手)



订购编号/Model: UP14 (三维把手)

## 产品信息 / Product information

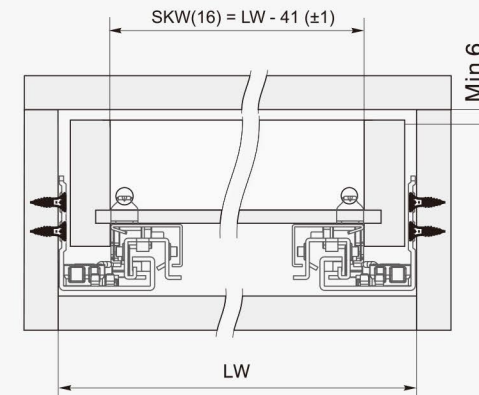
### 安装尺寸 / Installation dimensions



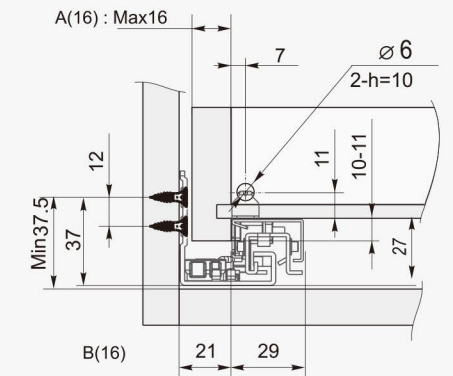
LT - Cabinet inner depth LT - 柜子内部深度  
 NL - Nominal slide length NL - 规格长度  
 X - Board thickness X - 面板厚度

## 安装尺寸 / Installation dimensions

三节全拉出隐藏式缓冲滑轨 (16侧板) Full-extension undermount drawer slide 16MM

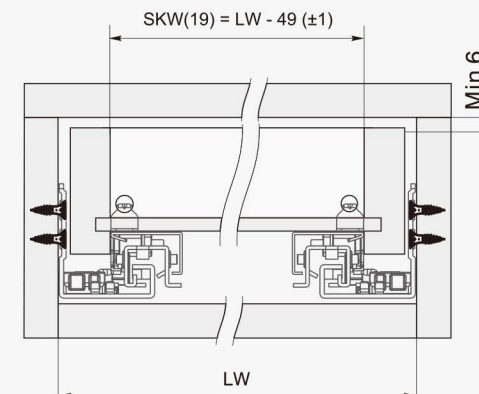


LW - Cabinet inner width LW - 橱柜内宽  
 SKW(16) - Drawer inner width (≤16mm drawer side thickness)  
 SKW (16) - 抽屉内宽 (≤16mm抽屉侧厚)

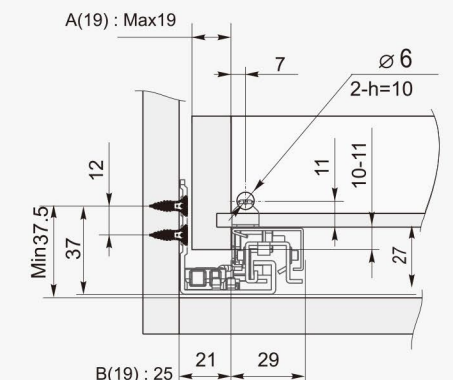


A(16): Be used for slide rails with a drawer side  
 A (16) : 用于抽屉侧滑轨  
 B(16): thickness less than 16mm  
 B (16) : 厚度不大于16mm

三节全拉出隐藏式缓冲滑轨 (19侧板) Full-extension undermount drawer slide 19MM



LW - Cabinet inner width LW - 橱柜内宽  
 SKW(19) - Drawer inner width (≤19mm drawer side thickness)  
 SKW (19) - 抽屉内宽 (≤19mm抽屉侧厚)



A(19): Be used for slide rails with a drawer side  
 A (19) : 用于抽屉侧滑轨  
 B(19): thickness less than 19mm  
 B (19) : 厚度不大于19mm

# 三节同步隐藏轨

FULL EXTENSION SYNCHRONIZED UNDERMOUNT DRAWER SLIDES

(WITH HANDLE) UP16、UP17 (16/19板)把手款



主要材质: 镀锌钢板  
 最大承重: 30kg  
 滑轨厚度: 1.8\*1.5\*1.0mm  
 开合力度可调: +25%  
 产品功能: 三节滑轨同步联动, 内置缓冲装置使抽屉关闭轻柔安静

Main material: Galvanized steel  
 Loading capacity: 30kg  
 Thickness: 1.8\*1.5\*1.0mm  
 Adjustable Opening And Closing Strength: +25%  
 Product Features: Synchronous sliding of three slide rails.  
 The built-in damper makes the door close gentle and quietly.

AOSITE®

UNDERMOUNT SLIDES  
 隐藏轨系列

B



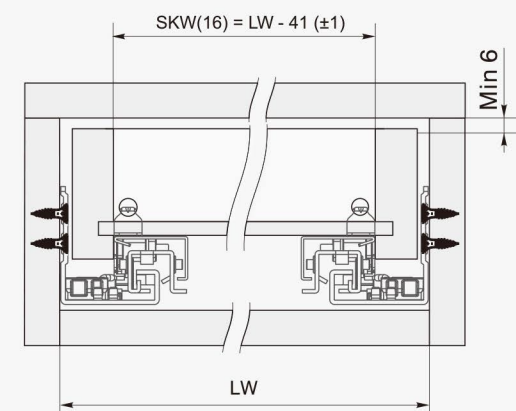
订购编号/Model: UP16(一维把手)



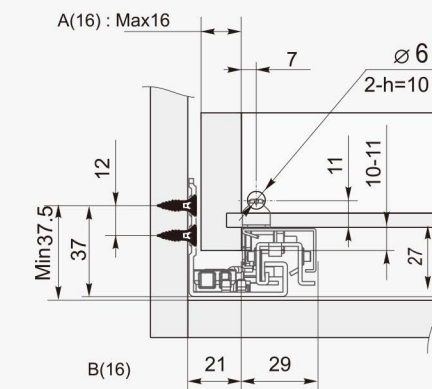
订购编号/Model: UP17(三维把手)

## 安装尺寸/ Installation dimensions

三节全拉出隐藏式缓冲滑轨 (16侧板) Full-extension undermount drawer slide 16MM

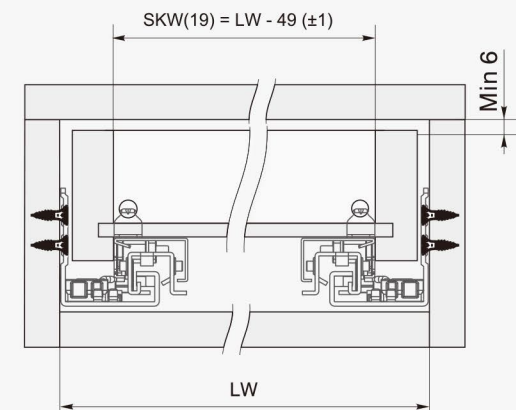


LW - Cabinet inner width LW - 橱柜内宽  
 SKW(16) - Drawer inner width (≤16mm drawer side thickness)  
 SKW (16) - 抽屉内宽 (≤16mm抽屉侧厚)

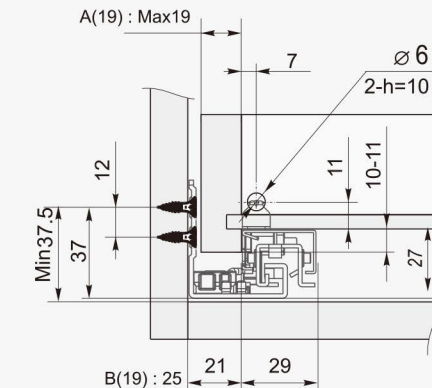


A(16): Be used for slide rails with a drawer side  
 A (16) : 用于抽屉侧滑轨  
 B(16): thickness less than 16mm  
 B (16) : 厚度不大于16mm

三节全拉出隐藏式缓冲滑轨 (19侧板) Full-extension undermount drawer slide 19MM



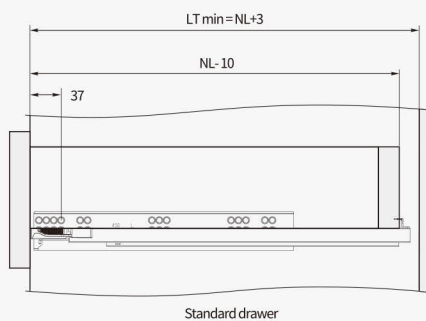
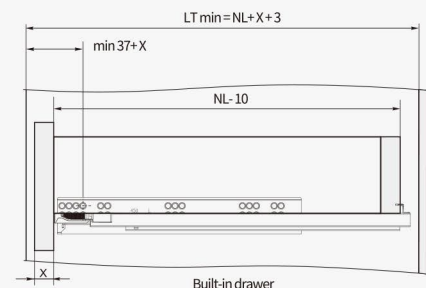
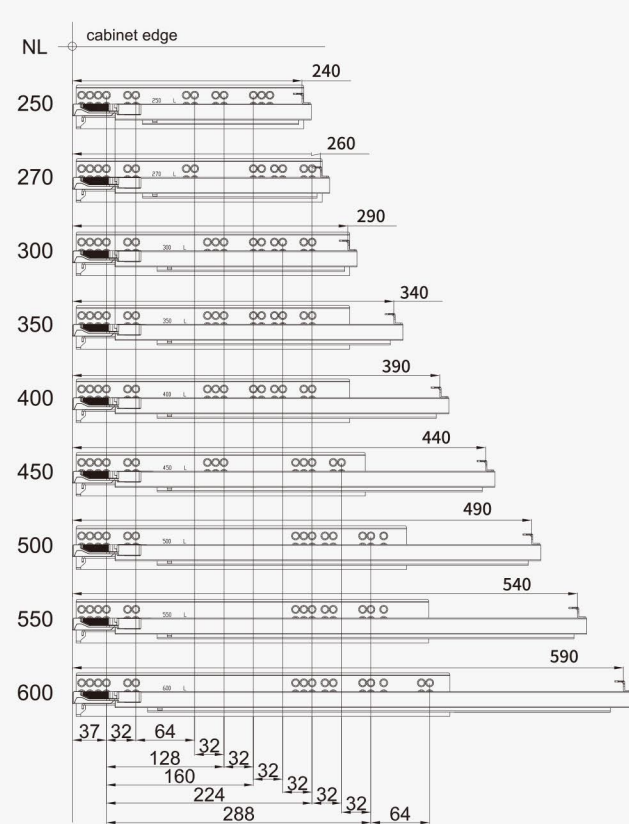
LW - Cabinet inner width LW - 橱柜内宽  
 SKW(19) - Drawer inner width (≤19mm drawer side thickness)  
 SKW (19) - 抽屉内宽 (≤19mm抽屉侧厚)



A(19): Be used for slide rails with a drawer side  
 A (19) : 用于抽屉侧滑轨  
 B(19): thickness less than 19mm  
 B (19) : 厚度不大于19mm

## 产品信息/ Product information

### 安装尺寸 Installation dimensions



LT - Cabinet inner depth LT - 柜子内部深度  
 NL - Nominal slide length NL - 规格长度  
 X - Board thickness X - 面板厚度

# 三节同步反弹隐藏轨

FULL EXTENSION SYNCHRONIZED PUSH TO OPEN UNDERMOUNT  
DRAWER SLIDES ( WITH HANDLE ) UP19、UP20 (16/19 板) 把手款



主要材质: 镀锌钢板  
最大承重: 30kg  
滑轨厚度: 1.8\*1.5\*1.0mm  
产品功能: 三节滑轨同步联动, 反弹装置使抽屉轻推即开启, 免拉手安装

Main material: Galvanized steel  
Loading capacity: 30kg  
Thickness: 1.8\*1.5\*1.0mm  
Product Features: Synchronous sliding of three slide rails, the rebound device makes the drawer open when pushing it lightly, handles-free design

AOSITE®

UNDERMOUNT SLIDES  
隐藏轨系列

B



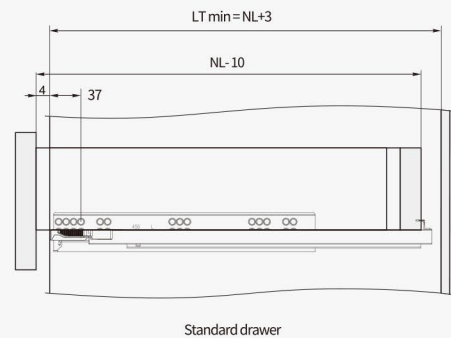
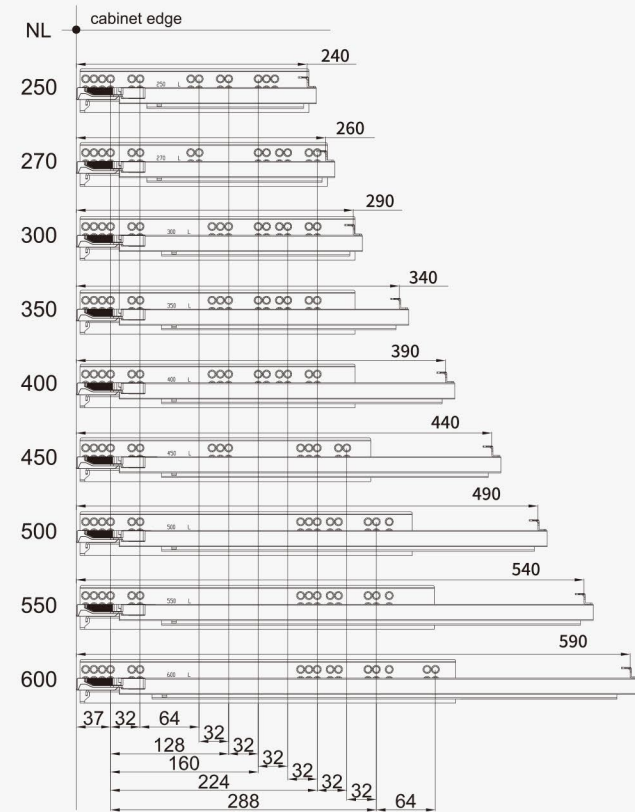
订购编号/ Model: UP19 (一维把手)



订购编号/ Model: UP20 (三维把手)

## 产品信息/ Product information

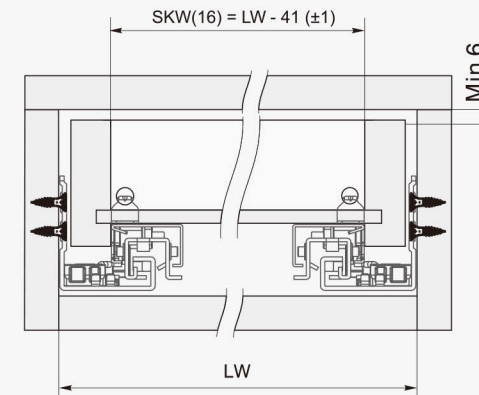
### 安装尺寸 Installation dimensions



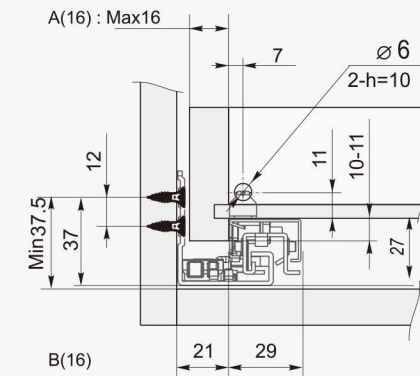
LT - Cabinet inner depth LT - 柜子内部深度  
NL - Nominal slide length NL - 规格长度  
X - Board thickness X - 面板厚度

## 安装尺寸/ Installation dimensions

### 三节全拉出隐藏式缓冲滑轨 (16侧板) Full-extension undermount drawer slide 16MM

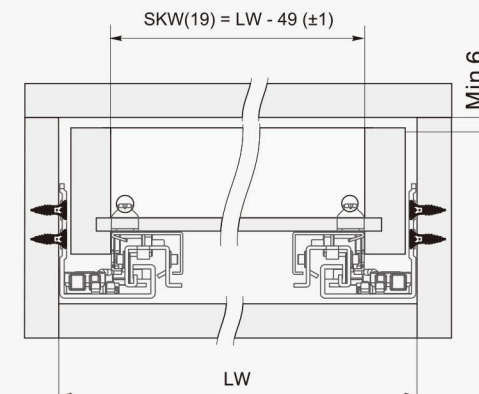


LW - Cabinet inner width LW - 橱柜内宽  
SKW(16) - Drawer inner width (≤16mm drawer side thickness)  
SKW (16) - 抽屉内宽 (≤16mm 抽屉侧厚)

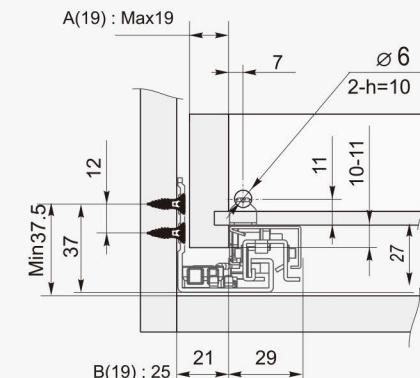


A(16): Be used for slide rails with a drawer side  
A (16) : 用于抽屉侧滑轨  
B(16): thickness less than 16mm  
B (16) : 厚度不大于16mm

### 三节全拉出隐藏式缓冲滑轨 (19侧板) Full-extension undermount drawer slide 19MM



LW - Cabinet inner width LW - 橱柜内宽  
SKW(19) - Drawer inner width (≤19mm drawer side thickness)  
SKW (19) - 抽屉内宽 (≤19mm 抽屉侧厚)



A(19): Be used for slide rails with a drawer side  
A (19) : 用于抽屉侧滑轨  
B(19): thickness less than 19mm  
B (19) : 厚度不大于19mm

# 美式三节缓冲隐藏轨

AMERICAN TYPE FULL EXTENSION SOFT CLOSING UNDERMOUNT  
DRAWER SLIDES ( WITH HANDLE ) UP310、UP330 (16/19 板) 把手款



主要材质: 镀锌钢板  
 最大承重: 30kg  
 滑轨厚度: 1.8\*1.5\*1.0mm  
 产品功能: 静音效果, 内置缓冲装置使抽屉关闭轻柔安静

Main material: Galvanized steel  
 Loading capacity: 30kg  
 Thickness: 1.8\*1.5\*1.0mm  
 Product Features: Silent system, The built-in damper makes the door close gentle and quietly

AOSITE®

UNDERMOUNT SLIDES  
隐藏轨系列

B



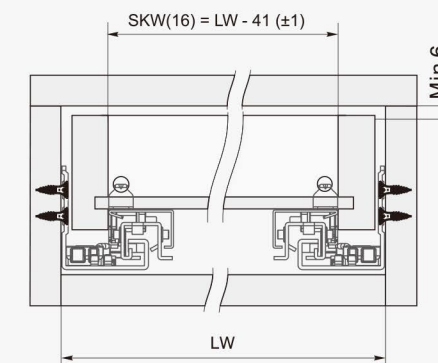
订购编号/ Model: UP310 (一维把手)



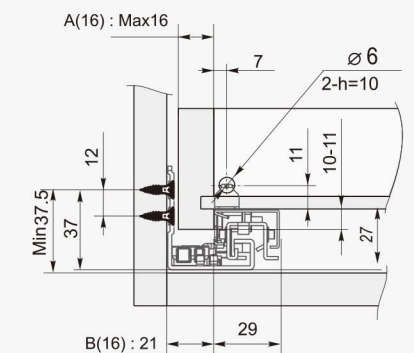
订购编号/ Model: UP330 (三维把手)

## 安装尺寸/ Installation dimensions

三节全拉出隐藏式缓冲滑轨 (16侧板) Full-extension undermount drawer slide 16MM

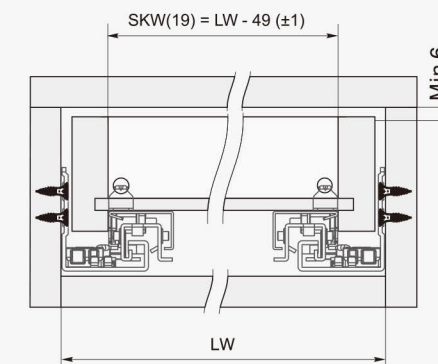


LW - Cabinet inner width LW - 橱柜内宽  
 SKW(16) - Drawer inner width (≤16mm drawer side thickness)  
 SKW (16) - 抽屉内宽 (≤16mm 抽屉侧厚)

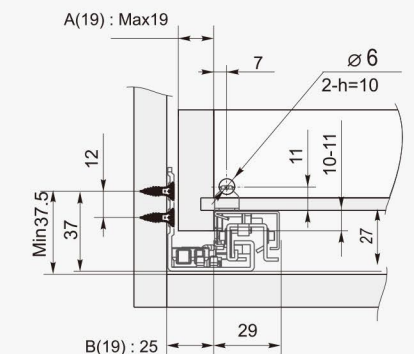


A(16): Be used for slide rails with a drawer side  
 A (16) : 用于抽屉侧滑轨  
 B(16): thickness less than 16mm  
 B (16) : 厚度不大于16mm

三节全拉出隐藏式缓冲滑轨 (19侧板) Full-extension undermount drawer slide 19MM



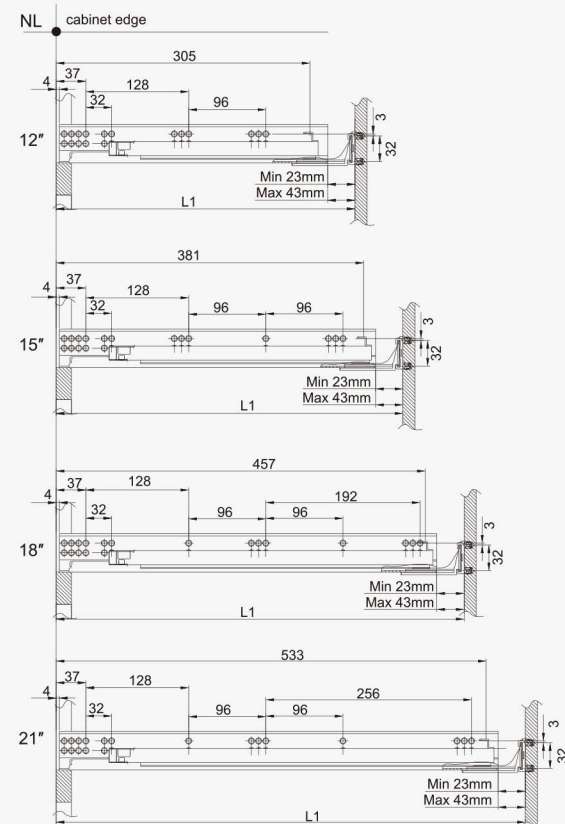
LW - Cabinet inner width LW - 橱柜内宽  
 SKW(19) - Drawer inner width (≤19mm drawer side thickness)  
 SKW (19) - 抽屉内宽 (≤19mm 抽屉侧厚)



A(19): Be used for slide rails with a drawer side  
 A (19) : 用于抽屉侧滑轨  
 B(19): thickness less than 19mm  
 B (19) : 厚度不大于19mm

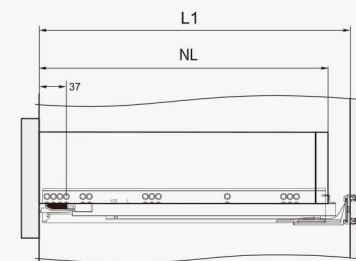
## 产品信息/ Product information

### 安装尺寸 Installation dimensions

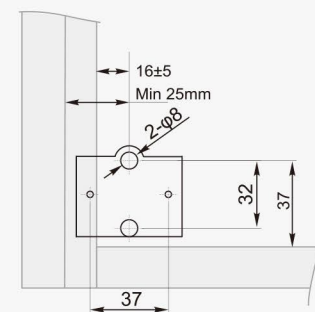


NL	NL	Min L1	Max L1
12"	305	338	358
15"	381	416	436
18"	457	494	514
21"	533	568	588

LT - Cabinet inner depth LT - 柜子内部深度  
 NL - Nominal slide length NL - 规格长度  
 X - Board thickness X - 面板厚度



Standard drawer





# 美式三节反弹隐藏轨

AMERICAN TYPE FULL EXTENSION PUSH TO OPEN UNDERMOUNT  
DRAWER SLIDES ( WITH HANDLE ) UP410、UP430 (16/19 板) 把手款



AOSITE®

UNDERMOUNT SLIDES  
隐藏轨系列



主要材质: 镀锌钢板  
最大承重: 30kg  
滑轨厚度: 1.8\*1.5\*1.0mm  
产品功能: 反弹装置使抽屉轻推即开启, 免拉手安装

Main material: Galvanized steel  
Loading capacity: 30kg  
Thickness: 1.8\*1.5\*1.0mm  
Product Features: The rebound device makes the drawer open when pushing it lightly, handles-free design



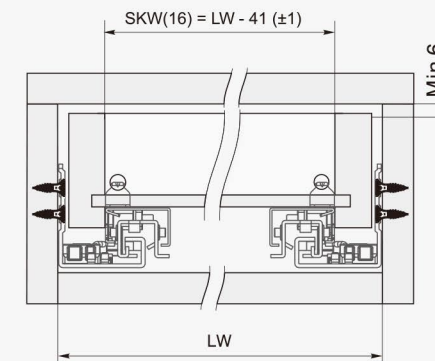
订购编号/ Model: UP410 (一维把手)



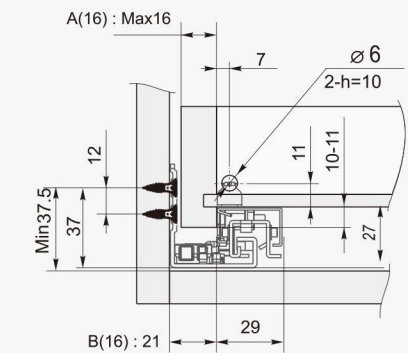
订购编号/ Model: UP430 (三维把手)

## 安装尺寸/ Installation dimensions

三节全拉出隐藏式缓冲滑轨 (16侧板) Full-extension undermount drawer slide 16MM

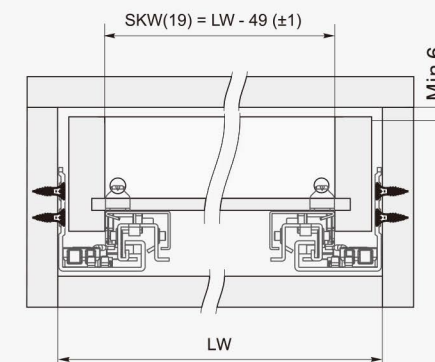


LW - Cabinet inner width LW - 橱柜内宽  
SKW(16) - Drawer inner width (≤16mm drawer side thickness)  
SKW (16) - 抽屉内宽 (≤16mm 抽屉侧厚)

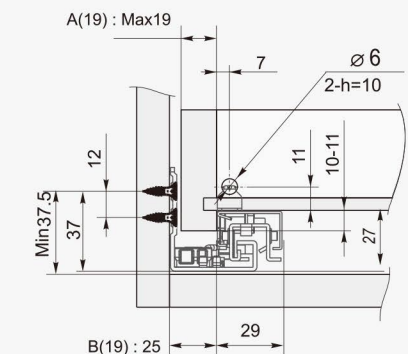


A(16): Be used for slide rails with a drawer side  
A (16) : 用于抽屉侧滑轨  
B(16): thickness less than 16mm  
B (16) : 厚度不大于16mm

三节全拉出隐藏式缓冲滑轨 (19侧板) Full-extension undermount drawer slide 19MM



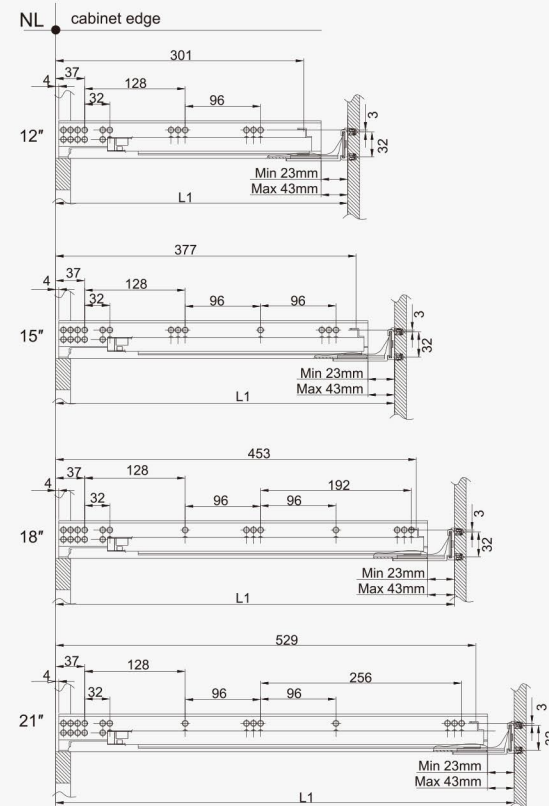
LW - Cabinet inner width LW - 橱柜内宽  
SKW(19) - Drawer inner width (≤19mm drawer side thickness)  
SKW (19) - 抽屉内宽 (≤19mm 抽屉侧厚)



A(19): Be used for slide rails with a drawer side  
A (19) : 用于抽屉侧滑轨  
B(19): thickness less than 19mm  
B (19) : 厚度不大于19mm

## 产品信息/ Product information

### 安装尺寸 Installation dimensions



NL	NL	Min L1	Max L1
12"	305	338	358
15"	381	416	436
18"	457	494	514
21"	533	568	588

LT - Cabinet inner depth LT - 柜子内部深度  
NL - Nominal slide length NL - 规格长度  
X - Board thickness X - 面板厚度