

1500VDC光伏保险丝连接器 2258100A

1500VDC PV 4.0 Fuse Connector 2258100A

产品规格:
Product Specifications:

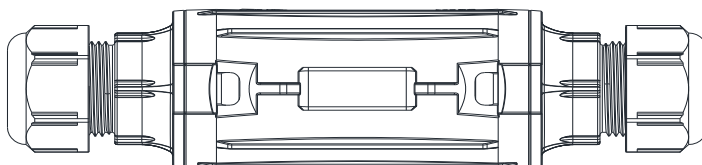
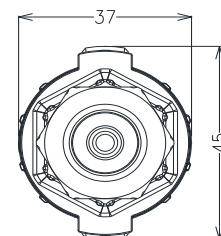
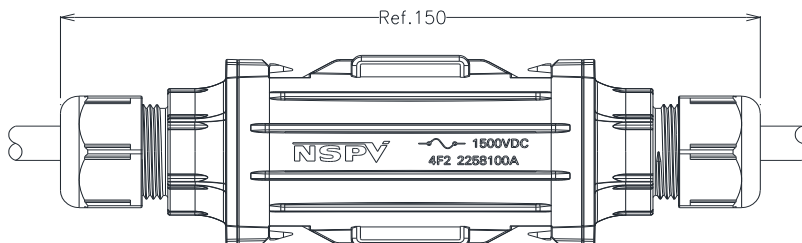
绝缘材料 Insulation material	PC/PA	安全等级 Safety degree	II
额定电流 Rated current	100A(With 35sqmm)	阻燃等级 Flame class	UL94-V0
额定电压 Rated voltage	1500VDC	环境温度范围 Ambient temperature range	-40°C...+85°C (IEC)
保险丝规格 Fuse Specification	10-100A	温度上限 Upper limiting temperature	110°C(IEC)
连接器接触电阻 contact resistance	≤ 0.25 mΩ	适配电线规格 Suitable cable cross sections	10mm ² ,16mm ² ,25mm ² , 35mm ²
金属导体材料 Contact material	铜,镀锡 Copper,Tin plated	适配保险丝尺寸 (mm) Suitable for fuse size(mm)	22*58
保护等级 Degree of protection	IP68(1m,1H)	符合标准 Regulatory approval	TUV.CE
Rated Impulse voltage 额定脉冲电压	16KV		

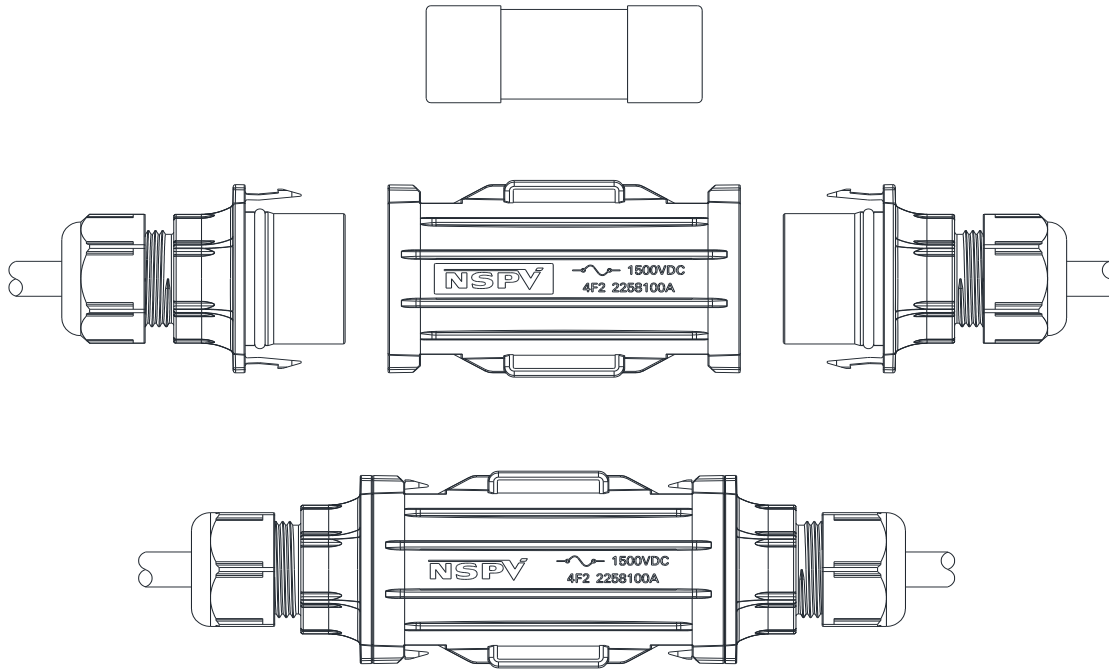
图示:
Drawing:

4F2-2258100A-xxx



By TUV approved





用途

Application

本系列保险丝适用于额定电压达1500V、额定电流达100A的太阳能光伏发电系统,与光伏板和光电池连接,为光伏电站和光伏发电系统中变电流系统提供短路、断路的保护。额定分断能力10KA,该产品符合IEC60269.6标准。

This series of fuses is suitable for solar photovoltaic power generation system, rated voltage up to 1500V, rated current up to 100A, connected with photovoltaic panels and batteries, to provide variable flow system for short circuit and current breaking protection in photovoltaic station and photovoltaic power generation system. The rated breaking capacity is 10KA, products are in conform with IEC60269.6 standard.

工作条件

Normal Working Conditions

环境温度 Ambient Temperature: $-40^{\circ}\text{C} - +90^{\circ}\text{C}$

设备安装的高度 Equipment installation height: 低于2000米 less than 2000m

使用时如需超过该高度,请提前告知,我司可根据您的需求重新设计。

(if you want use exceeding this height,pls tell us in advance,we can design according to your requirements).

类型

Use Category

gPV是指所有范围的直流保险丝,用于太阳能光伏发电系统的断路保护。

gPV means all range DC Fuse used for breaking protection in solar photovoltaic power generation system.

结构

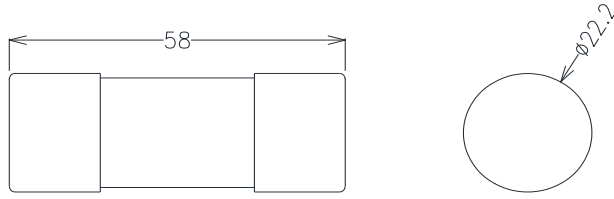
Structure

保险丝由纯银制成,焊接低锡,并封装在高强度的陶瓷中,保险丝管由高纯度石英砂填充,经化学加工成电弧介质,保险丝本体通过点焊与端子连接。

Fuse Link is made of pure silver, welding low tin and encapsulated in the high-strength porcelain,the fuse tube filled with high pure quartz and with chemically processed as a arc medium, fuse body is connected with contacting terminals by spot welding.

保险丝图示:

Fuse Link Drawing:



保险丝技术参数

Fuse Link Technical Specification

型号 Model	额定电压 Rated Voltage	额定电流 Rated Current	工作类型 Class of Operation	尺寸Size(mm)
NSPV2258-xxx	DC 1500V	10A-100A	gPV	See Above Drawing
	Standard	Breaking Capacity	Time Constant	
	IEC60269	10kA	1-3ms	

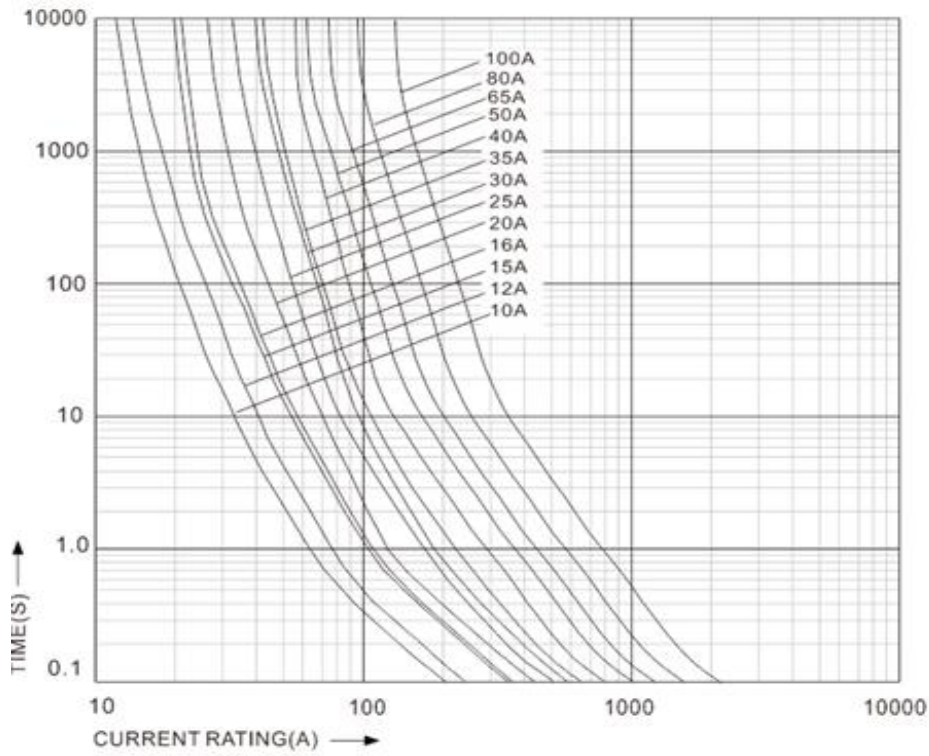
型号 Model	额定电流 Rated Current	额定电压(V) Rated Voltage (V)	I ² t(A ² s)		功耗Dissipation(W)	
			Pre-arcing	Total	70%I _n	100%I _n
NSPV2258-xxx	10A	1500VDC	200	1100	3.6	5.8
	15A		280	1500	3.9	6.5
	20A		360	2100	4.3	7
	25A		460	2700	4.6	7.5
	32A		550	3350	5.4	9.2
	35A		700	3750	6	9.8
	40A		780	4200	6.7	11.2
	50A		1020	5050	6.9	11.5
	60A		1180	6400	7.2	12
	65A		1250	7150	7.4	12.2
	70A		1355	7600	7.5	12.4
	75A		1460	8200	7.6	12.6
	80A		1600	8700	7.7	12.8
	100A		2800	12500	12.2	23

电气特性Electrical Characteristics

保险丝电流规格 gPV Fuse current rated(A)	约定时间 Appointed Time(h)	约定电流Appointed Current	
		I _{nf}	I _f
I _n ≤ 63	1	1.13I _n	1.45I _n
63 < I _n ≤ 160	2		
160 < I _n ≤ 400	3		
I _n > 400	4		

时间电流曲线:

Time current curve:



温度降额曲线 (保险丝周围空气温度)

Temperature Derating Curve(Temperature of Air Immediately Surrounding Fuse)

