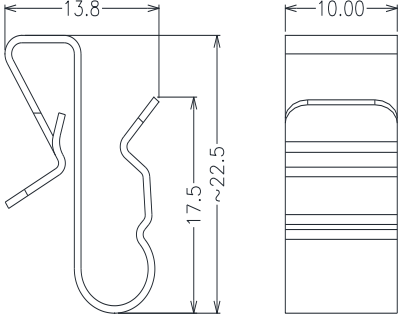

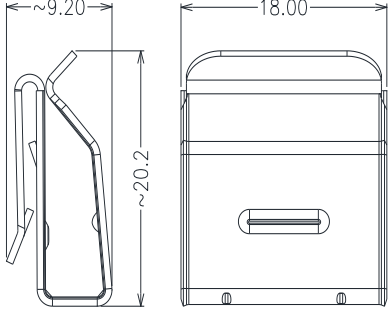

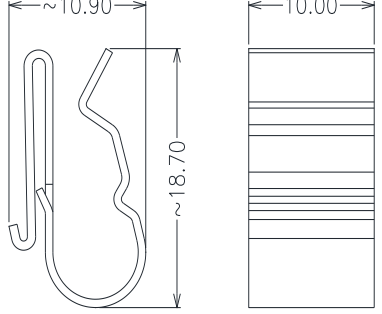

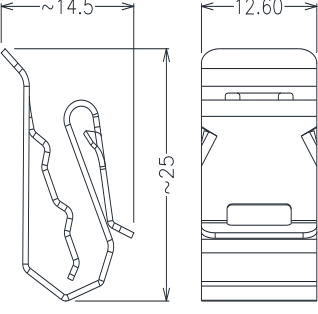



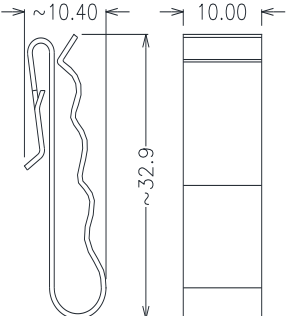

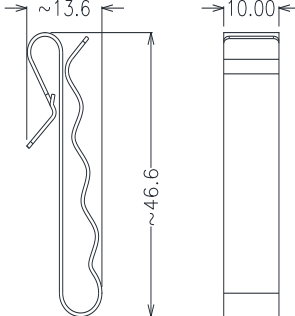

## 线缆夹 Solar Cable Clip

| 产品规格<br>Specifications | Product                    |                                     |                    |
|------------------------|----------------------------|-------------------------------------|--------------------|
| 材料<br>Material         | 304 stainless steel        | 颜色<br>Color                         | White              |
| 包装<br>Package          | 100PCS//bag<br>500PCS//bag | 环境温度范围<br>Ambient temperature range | -40°C...+85°C(IEC) |

### 图示: Drawing:

| SCC-4S/2(SCC-OD/2)   |   | SCC-ST/2   |   |
|--|---|--|---|
|  |  |  |  |
| 适配电线Suitable for cable OD<br>应用于Application for                                  | 2*4.0mm <sup>2</sup><br>Module  | 适配电线Suitable for cable OD<br>应用于Application for                                    | 2*4.0mm <sup>2</sup><br>Module  |

| SCC-6S/2  |   | SCC-US/2   |   |
|---|---|--|---|
|  |  |  |  |
| 适配电线Suitable for cable OD<br>应用于Application for                                     | 2*6.0mm <sup>2</sup><br>Module  | 适配电线Suitable for cable OD<br>应用于Application for                                      | 2*4.0/6.0mm <sup>2</sup><br>Module  |

| SCC-4S/4(SCC-OD/4)  |   | SCC-6S/4   |   |
|---|---|--|---|
|  |  |  |  |
| 适配电线Suitable for cable OD<br>应用于Application for                                     | 4*4.0mm <sup>2</sup><br>Module  | 适配电线Suitable for cable OD<br>应用于Application for                                      | 4*6.0mm <sup>2</sup><br>Module  |

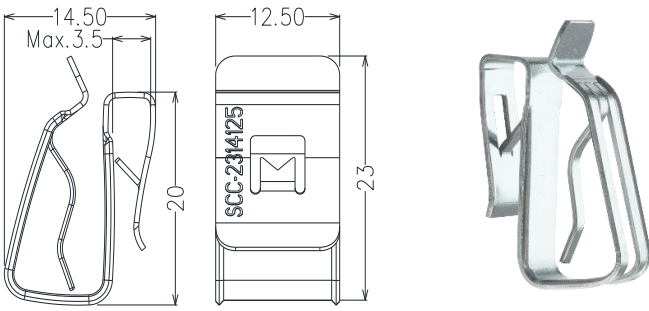
| SCC-ST/4M                  |                      | SCC-ST/4                   |                      |
|----------------------------|----------------------|----------------------------|----------------------|
|                            |                      |                            |                      |
| 适配电线 Suitable for cable OD | 4*4.0mm <sup>2</sup> | 适配电线 Suitable for cable OD | 4*4.0mm <sup>2</sup> |
| 应用于 Application for        | Module               | 应用于 Application for        | Module               |

| SCC-90/6S/2(SCC-NS/2)      |                                   | SCC-90/6S/2                |                                   |
|----------------------------|-----------------------------------|----------------------------|-----------------------------------|
|                            |                                   |                            |                                   |
| 适配电线 Suitable for cable OD | 90Degree 2*4.0/6.0mm <sup>2</sup> | 适配电线 Suitable for cable OD | 90Degree 2*4.0/6.0mm <sup>2</sup> |
| 应用于 Application for        | Module 90 Degree                  | 应用于 Application for        | Module 90 Degree                  |

| SCC-90/6S/4                |                                   | SCC-CT              |                     |
|----------------------------|-----------------------------------|---------------------|---------------------|
|                            |                                   |                     |                     |
| 适配电线 Suitable for cable OD | 90Degree 4*4.0/6.0mm <sup>2</sup> | 适配 Suitable for     | Cable Tie With ≤7mm |
| 应用于 Application for        | Module 90 Degree                  | 应用于 Application for | Module Bundle       |

| SCC-SP/2                   |                          | SCC-90/US/201A             |                       |
|----------------------------|--------------------------|----------------------------|-----------------------|
|                            |                          |                            |                       |
| 适配电线 Suitable for cable OD | 2*4.0/6.0mm <sup>2</sup> | 适配电线 Suitable for cable OD | 2*6/10mm <sup>2</sup> |
| 应用于 Application for        | Module                   | 应用于 Application for        | Module                |

## SCC-2314125



适配电线 Suitable for cable OD

2\*6/10mm<sup>2</sup>

应用于 Application for

Module

## Wire Management Solutions

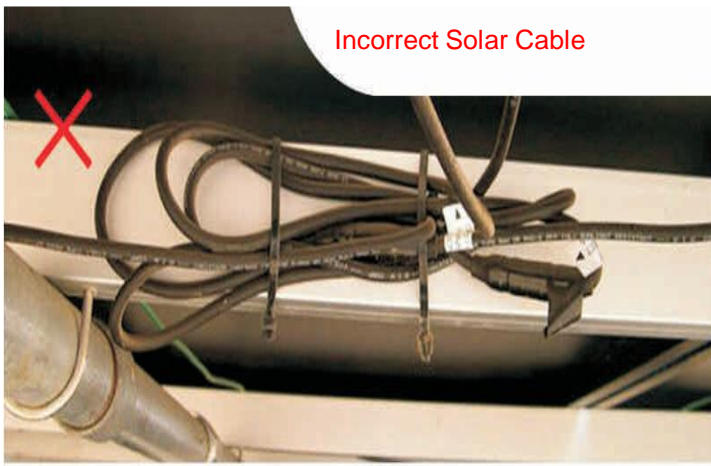
Engineered for high-quality wire management solutions, Solar Cable Clips management and create a cleaner aesthetic to solar PV arrays. The clips are made of corrosion resistant stainless steel, which makes them a durable, long lasting and reliable solution for all environments, and are designed with coined edges to prevent damage to cable insulation. The design is easy to install and can be reused. The cable clips can be used in wide variety of mounting configurations (including 90 degree) for module and in conjunction with cable ties. Custom designs and package available upon request.

## 90Degree Cable Clips

### Technical Features:

- Holds solar cables perpendicular to the module frame mounting configurations.
- Special tab for easy installation & removal without any tool.
- Coined edges to prevent damage to cable insulation.
- Could be used on modules with a flange thickness of 1.3 to 2.5mm.

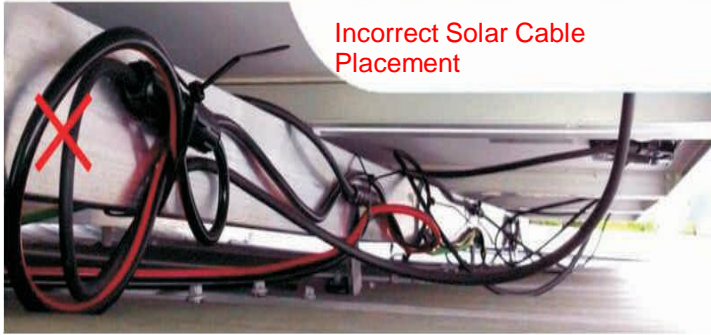




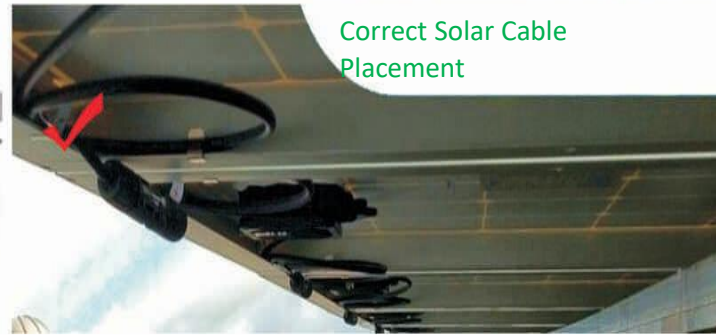
Incorrect Solar Cable



Correct Solar Cable



Incorrect Solar Cable Placement



Correct Solar Cable Placement

### Cable Clips SCC-SP/2(Specially Designed for thicker module frame and racking)

Engineered for special or thicker module frame or racking profile wire management solutions, The Cable Clips SCC-SP/2 simplify wire management and create a cleaner aesthetic to solar PV arrays. The clip is made of corrosion resistant 304 spring stainless steel, which makes them a durable, long lasting and reliable solution for all environments, and are designed with coined edges to prevent damage to cable insulation. The design is easy to install and can be reused. The cable clip can be used in wide variety of mounting configurations for module and racking structure . Customs designs and package available upon request.

#### Technical Features:

- Made with corrosion resistant 304 spring high grade stainless steel.
- Two-cable compartments.
- 180 degree mounting configurations.
- Accommodation for a broad range of cable size from 5.5mm to 6.8mm.
- Special tab for easy installation & removal without any tool.
- Coined edges to prevent damage to cable insulation.
- Designed for thicker modules frames as well as racking-accommodates profiles up to 5.2mm thick.

SCC-SP/2



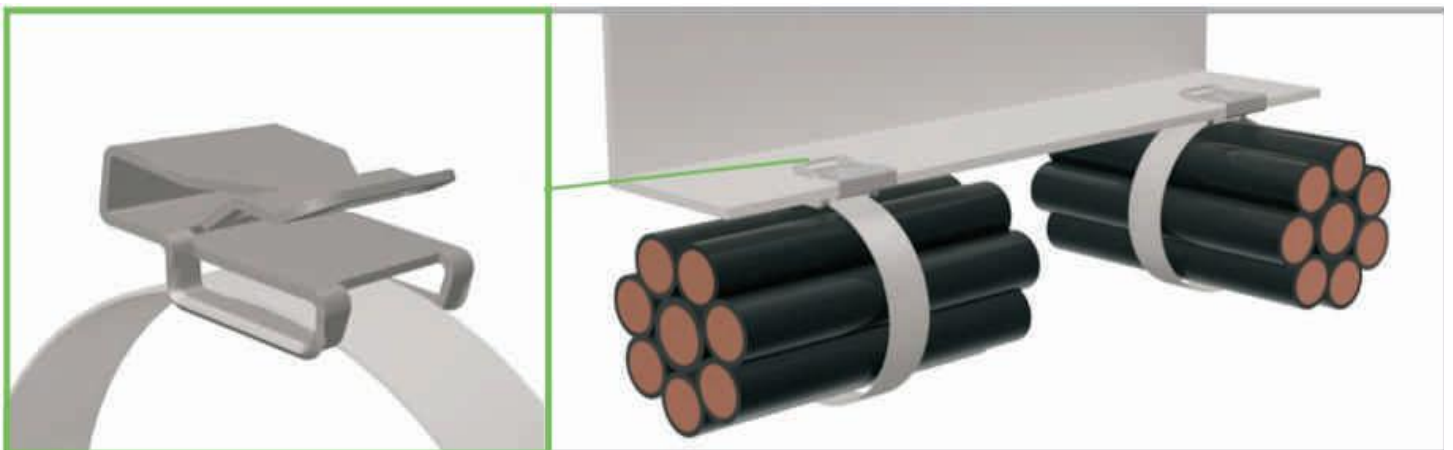
## Demostration of Matching Test



## Cable Tie Bundle Clip

### Technical Features:

- Bundles wires in conjunction with cable ties.
- Max Cable Tie Width: 7mm.
- Holds 5pcs or more solar cables parallel or perpendicular to the module frame.
- Special tab for easy installation & removal without any tool.
- Coined edges to prevent damage to cable insulation.
- Could be used on modules with a flange thickness of 1.3 to 2.5mm.



Package Option-OEM Packaging Available



100PCS/bag



500PCS/bag



1000PCS/box