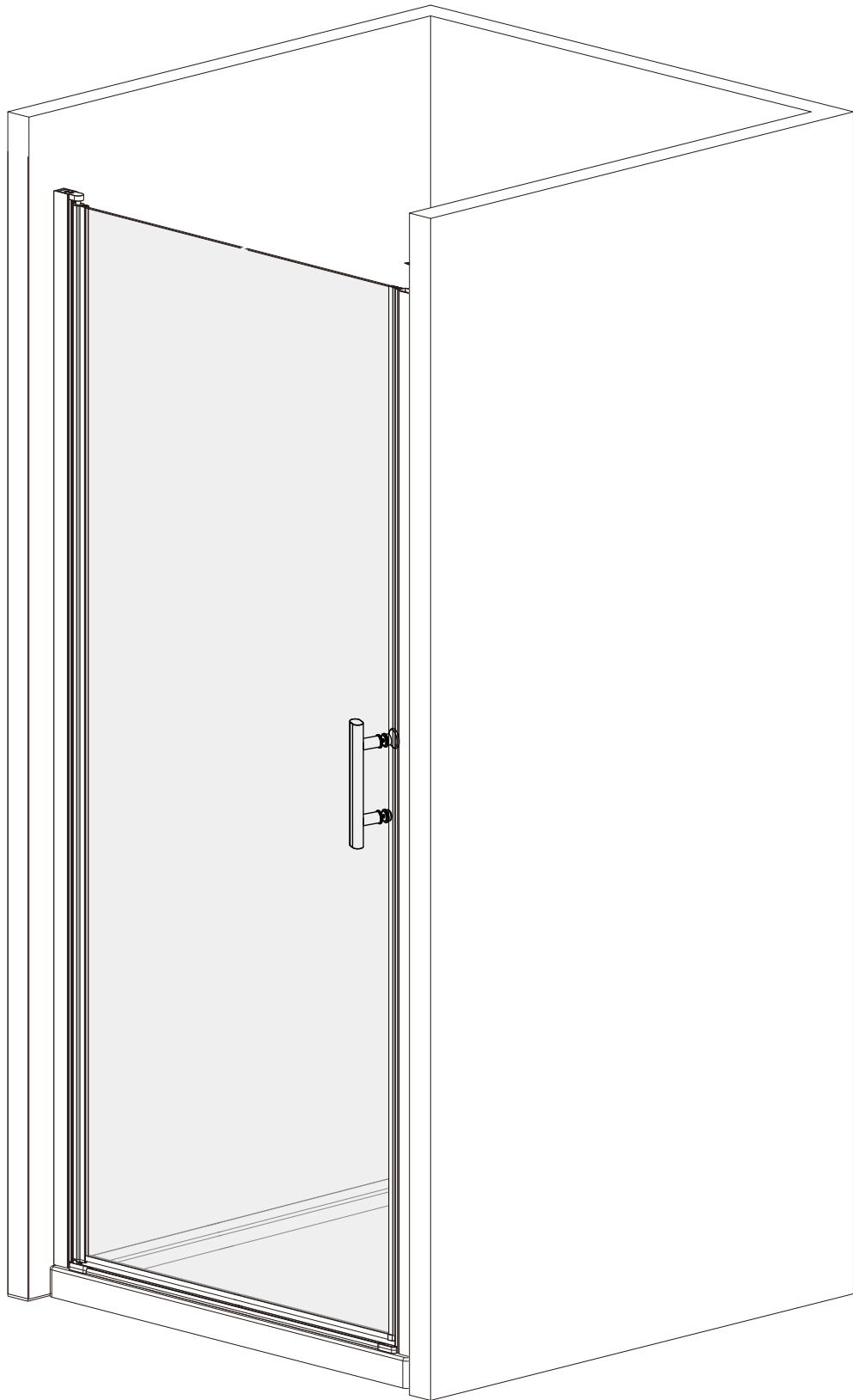
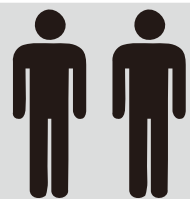


# INSTRUCTION MANUAL



CCB-002	610X1830MM	24"x72"
	710X1830MM	28"x72"
	810X1830MM	32"x72"
	860X1830MM	34"x72"
	910X1830MM	36"x72"



Need 2 person

Please keep this manual and product code number for future reference and for ordering replacement parts if necessary.

---

## GENERAL INSTRUCTIONS

Read this manual carefully and completely before proceeding.

.It is recommended that you wear safety glasses at all times during the i nstalla tion.

## INSTALLATION OVER CERAMIC TILES

If your shower door is to be installed over ceramic tiles, the tiles should lay completely under the wall jamb. Silicone should be used to seal the gap where the ceramic tiles meet the fixed panel.

## NOTICE

.Caulking: no sealant is required inside the shower, unless otherwise stated.

.Some models are equipped with clear sealing gaskets.

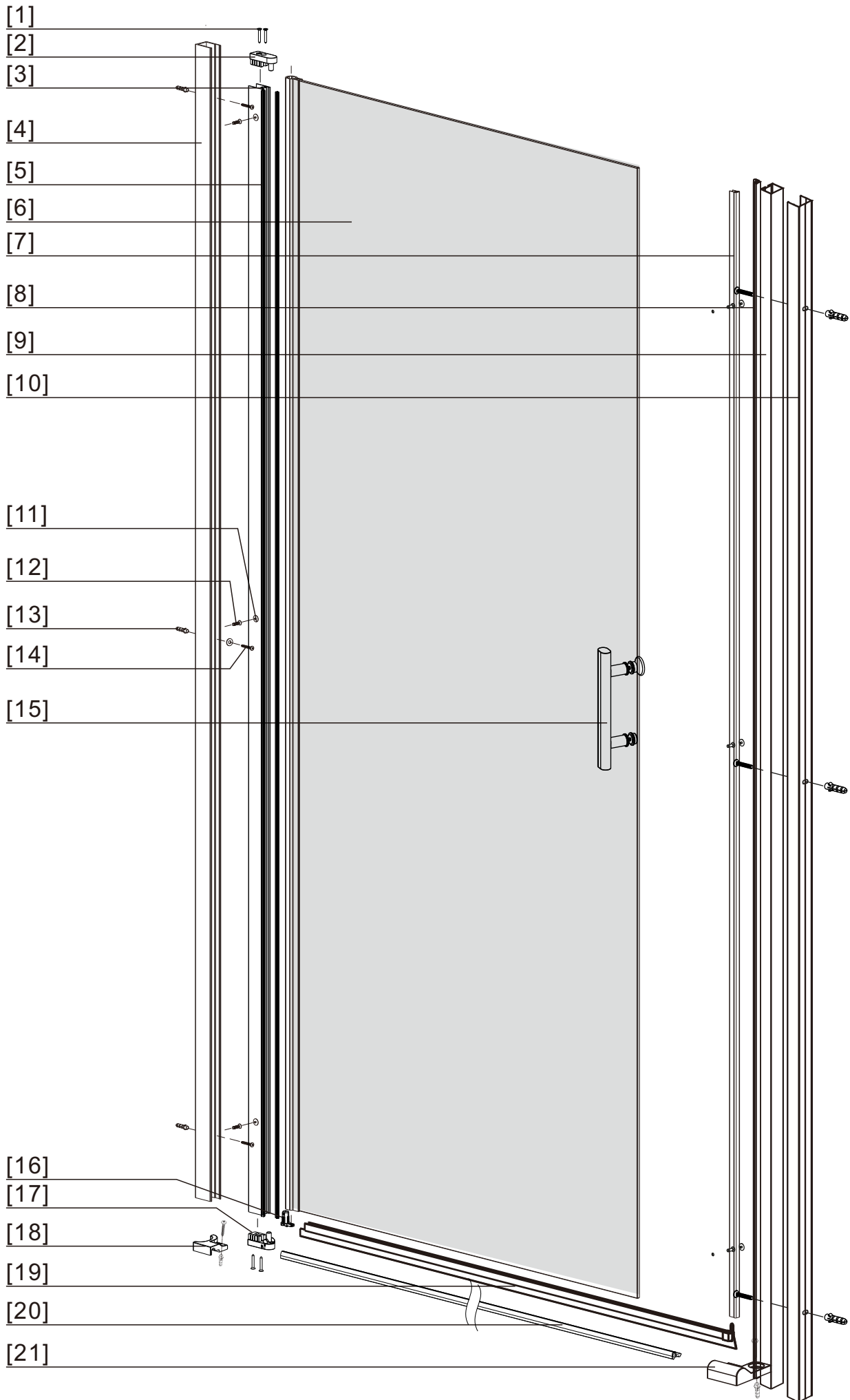
## CARE FOR YOUR SHOWER DOOR

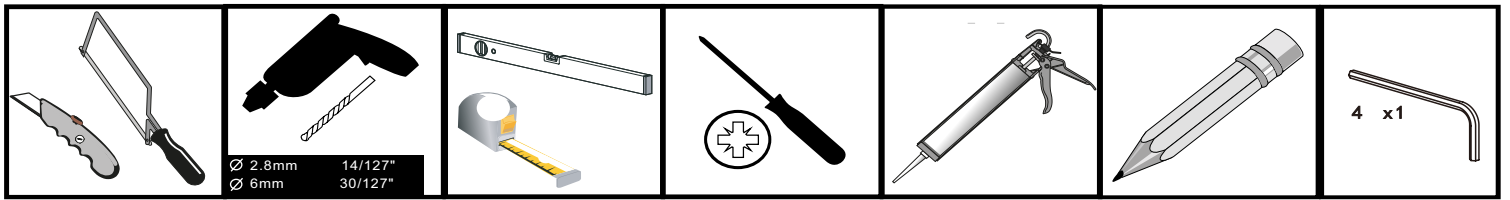
Never use scouring powder pads or sharp instruments on metal pieces or glass panels.

An occasional wiping down with a mild soap diluted in water is all that is needed to keep the panels and aluminum parts looking new.

.We recommend wiping the glass panels with a squeegee after each use.

# ◆ Assembly Drawing



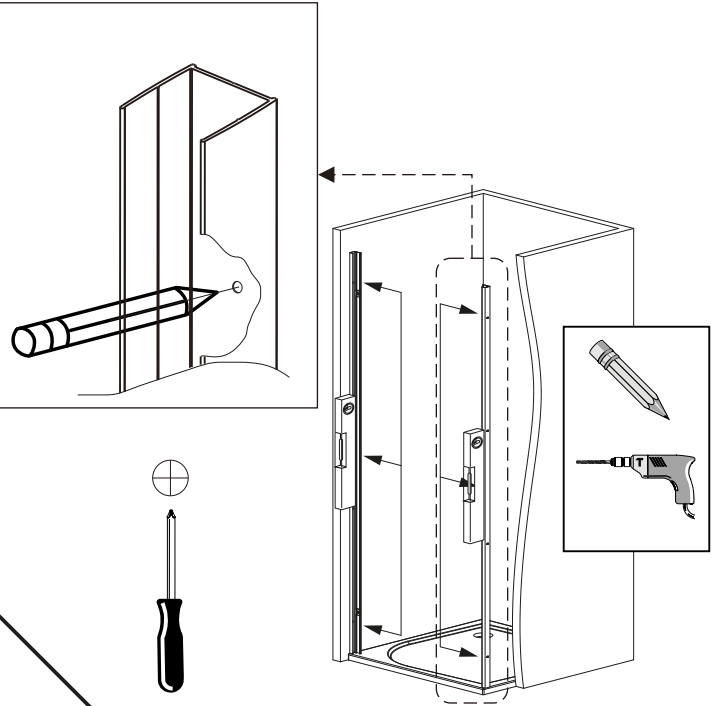
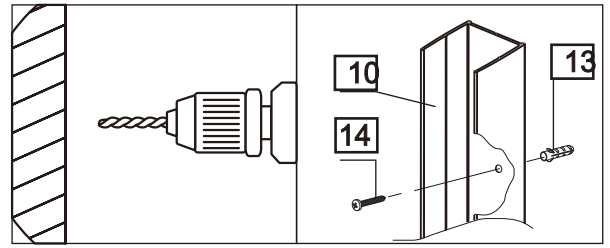
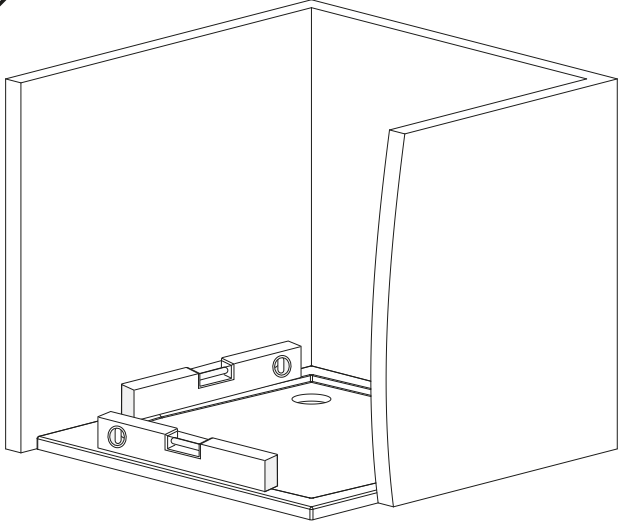


## Box Contents

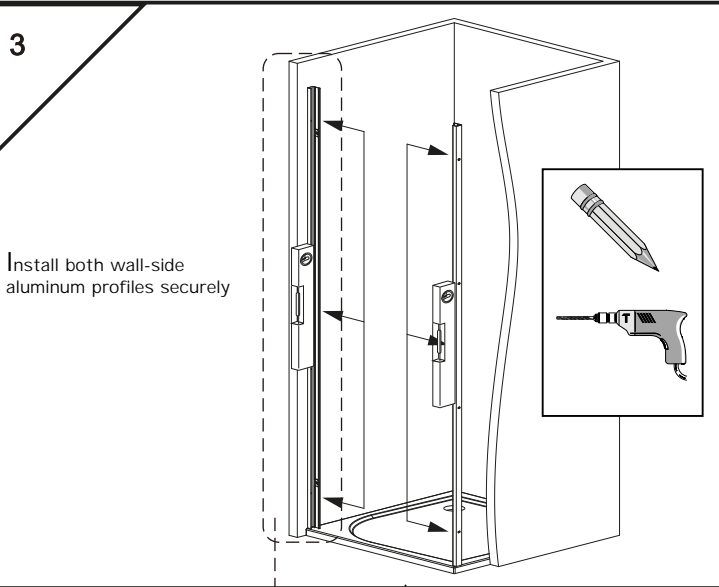
Item	Prats	Photo	Qty
<b>1</b>	Flat Head Screw (4×30mm)		<b>4</b>
<b>2</b>	Zinc Alloy Top Pivot Base		<b>1</b>
<b>3</b>	Top Plastic Pivot Adapter		<b>1</b>
<b>4</b>	Wall-side Aluminum Profile 1		<b>1</b>
<b>5</b>	Center Post Aluminum Profile		<b>1</b>
<b>6</b>	Glass Door Panel		<b>1</b>
<b>7</b>	Magnetic Seal Strip		<b>1</b>
<b>8</b>	Magnetic Strip		<b>1</b>
<b>9</b>	Magnetic Strip Aluminum Channel		<b>1</b>
<b>10</b>	Wall-side Aluminum Profile 2		<b>1</b>
<b>11</b>	Decorative End Cap		<b>6</b>
<b>12</b>	Round Head Screw (4×10mm)		<b>6</b>
<b>13</b>	Wall Anchor (Ø6mm)		<b>8</b>
<b>14</b>	Round Head Screw (4×30mm)		<b>8</b>
<b>15</b>	Stainless Steel Double-hole Handle		<b>1</b>
<b>16</b>	Bottom Plastic Pivot Adapter		<b>1</b>
<b>17</b>	Zinc Alloy Bottom Pivot Base		<b>1</b>
<b>18</b>	Bottom Water Guide Bracket1		<b>2</b>
<b>19</b>	Bottom Water Seal Strip		<b>1</b>
<b>20</b>	Bottom Water Guide Aluminum Channel		<b>1</b>
<b>21</b>	Bottom Water Guide Bracket 2		<b>2</b>

1

Check if the shower threshold is level using a spirit level or straightedge. If necessary, adjust the threshold until it is perfectly level



2



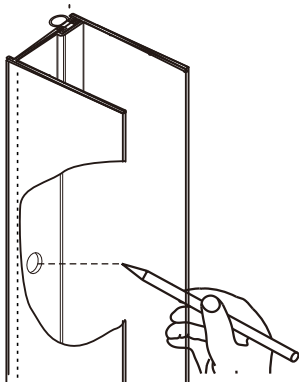
3

Install both wall-side aluminum profiles securely

K

<b>K</b>	<b>610</b> 24"	<b>710</b> 28"	<b>860</b> 34"
<b>X</b>	<b>595-625</b> 23-7/16"-24-5/8"	<b>695-725</b> 27-3/8"-28-5/8"	<b>845-875</b> 33-1/4"-34-7/16"

3.1

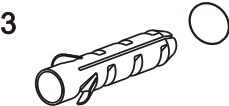


3.2

∅ 6mm



1.3

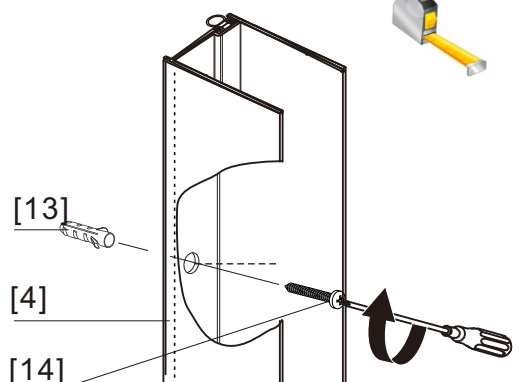


3.4

[13]

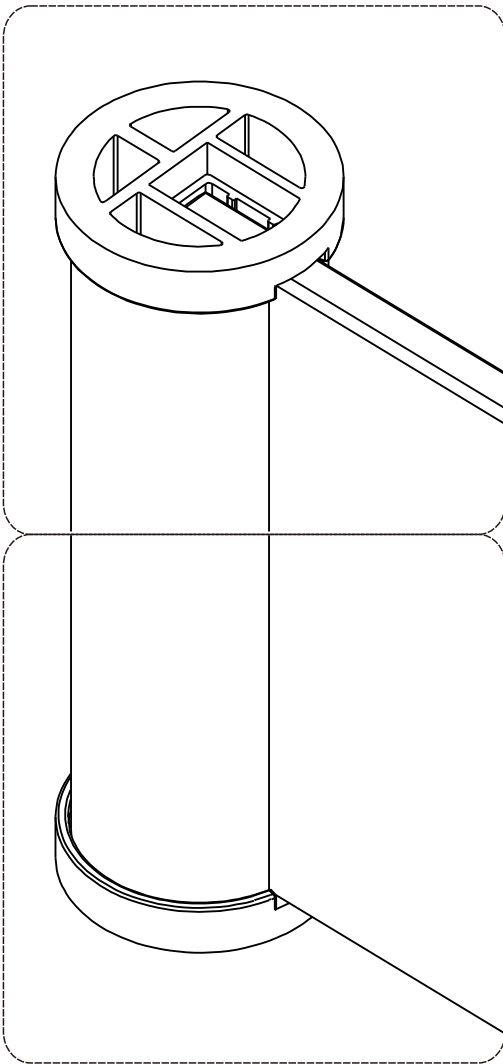
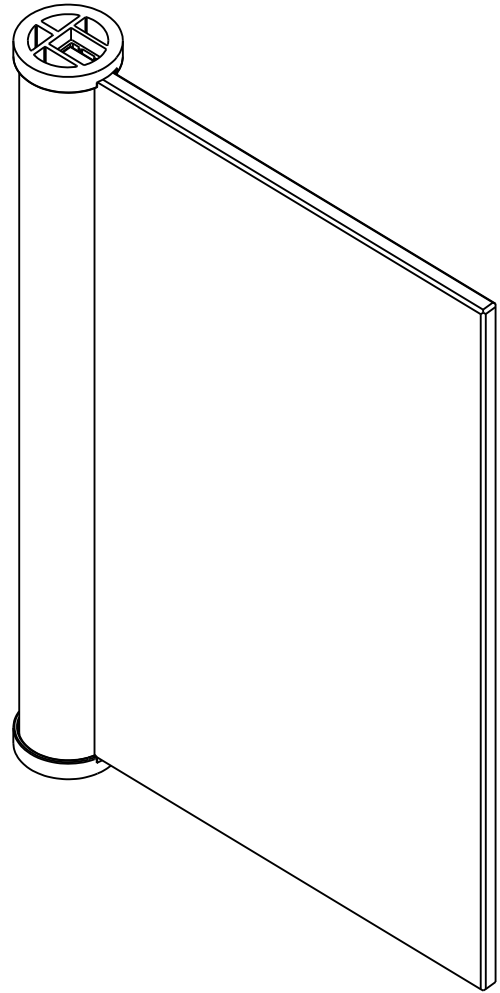
[4]

[14]



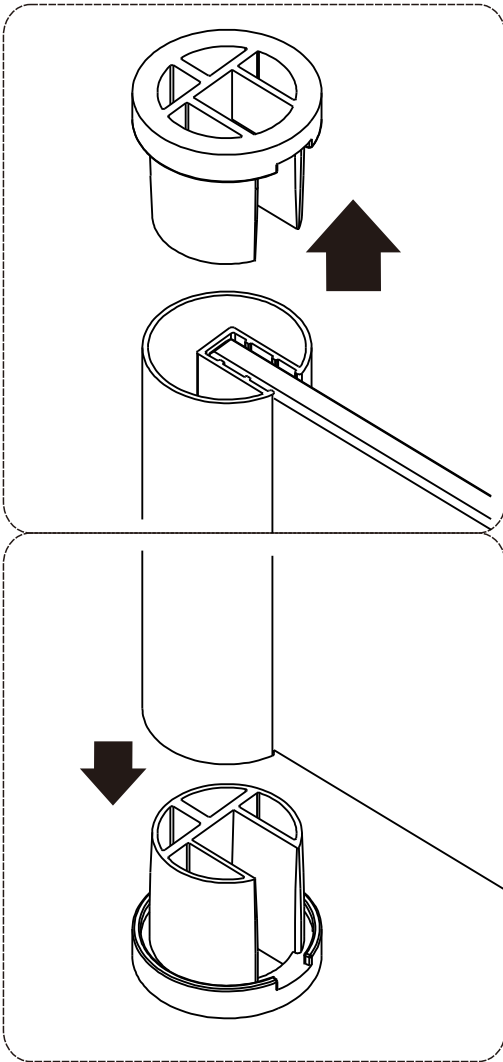
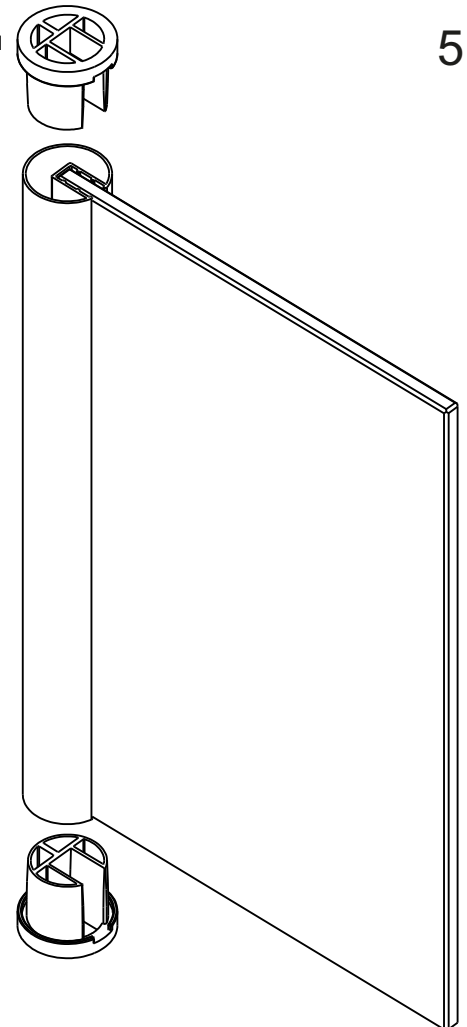
4

When unpacking, the end caps on the round tubes are press-fitted in place

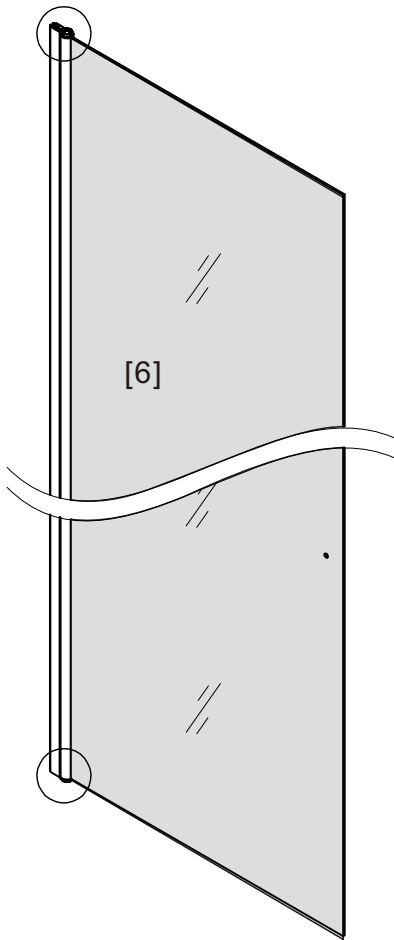


5

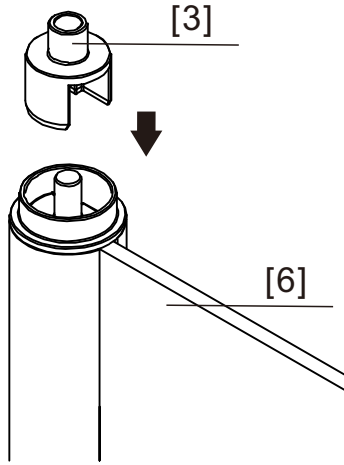
Remove the end caps from the round tubes using the provided tool before proceeding with installation



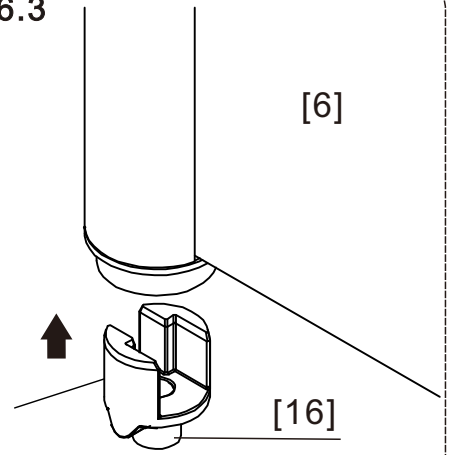
6



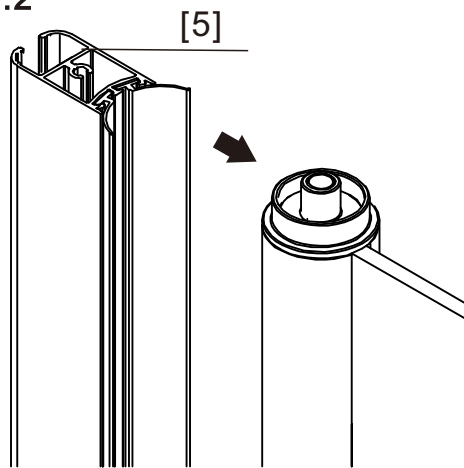
6.1



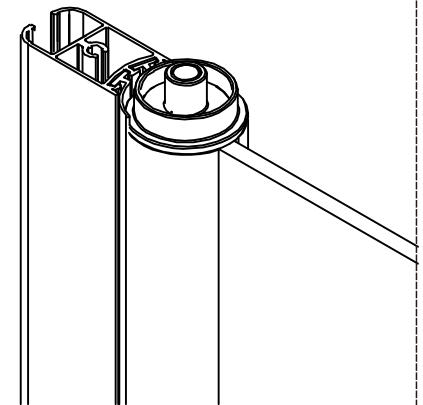
6.3



6.2

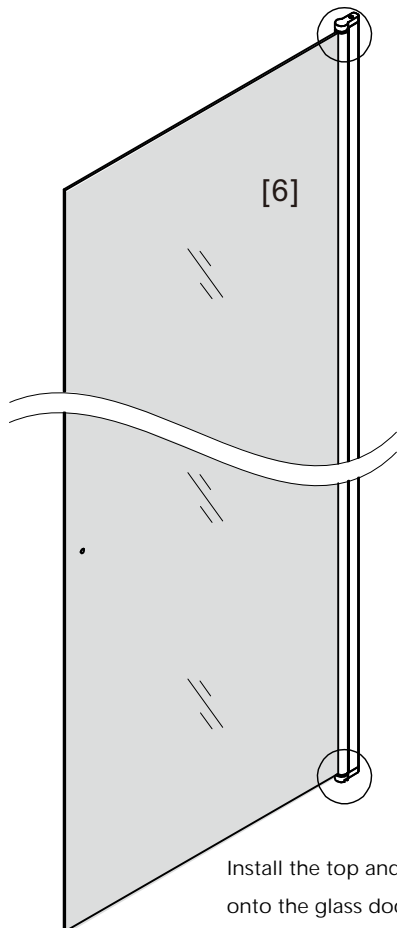


6.4

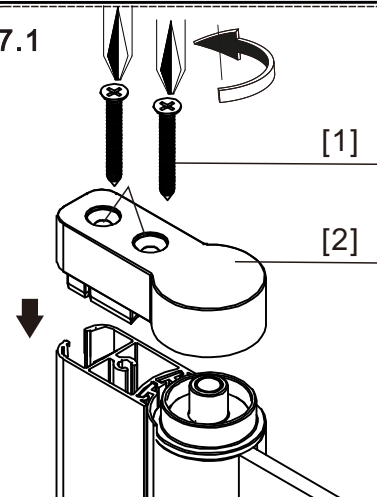


Install the top and bottom plastic pivot adapters onto the glass door

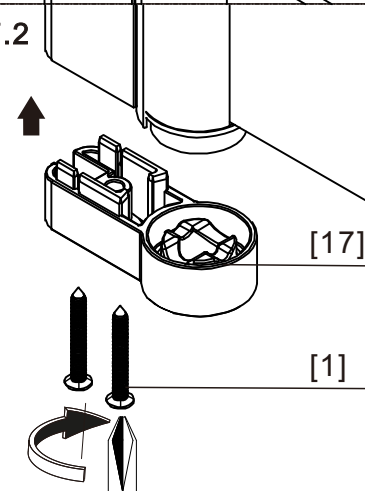
7



7.1

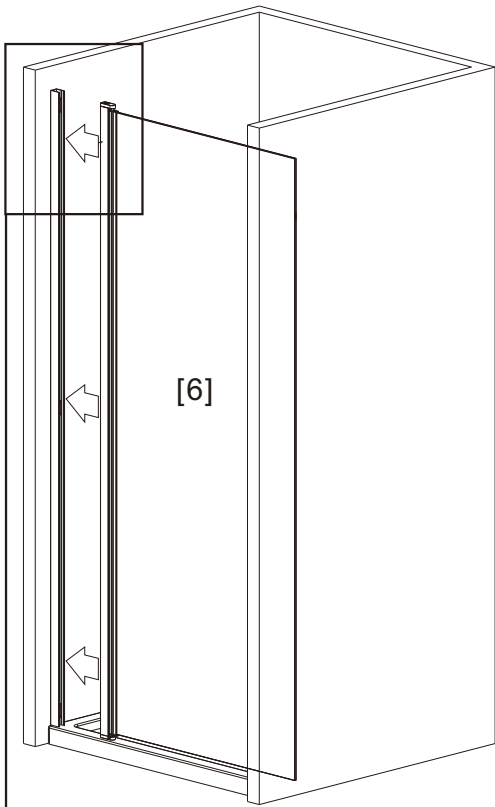


7.2



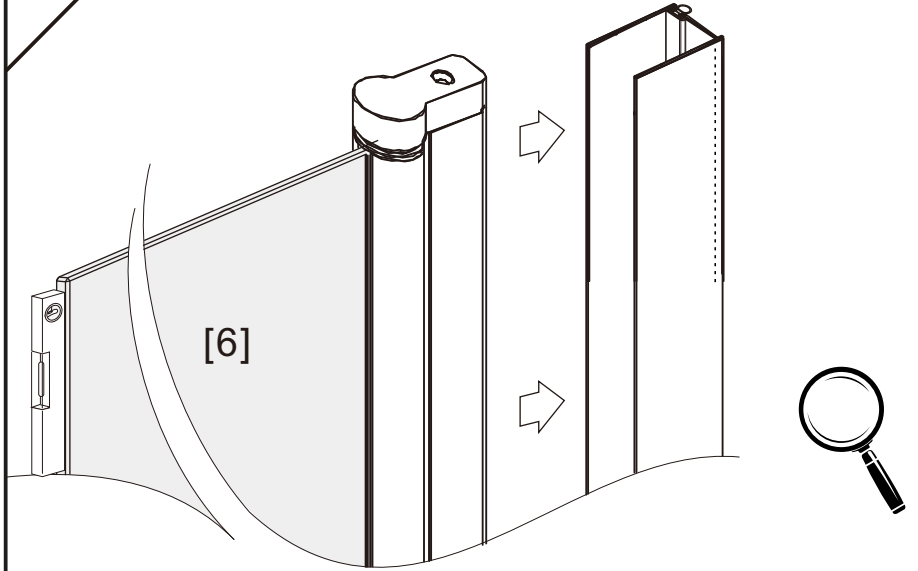
Install the top and bottom zinc alloy pivot bases onto the glass door, then secure them with 4×30mm flat head screws

8

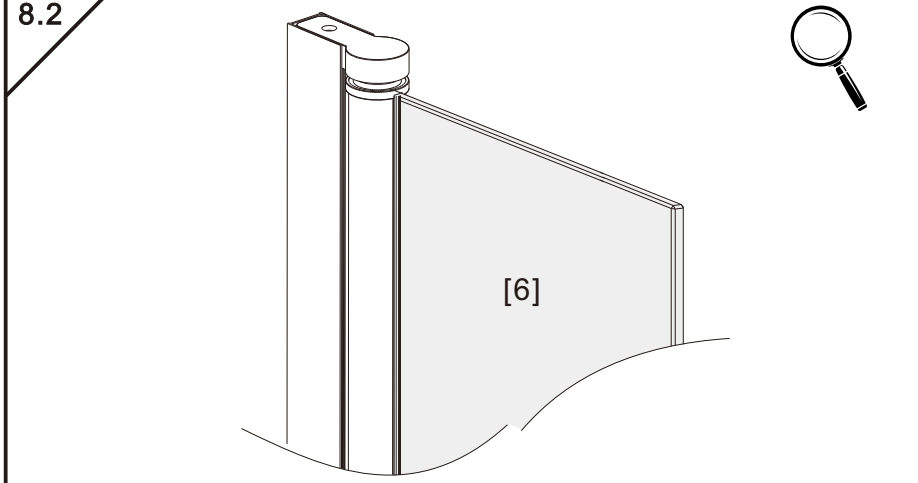


Engage the glass door with installed pivot bases onto the wall-mounted aluminum profile

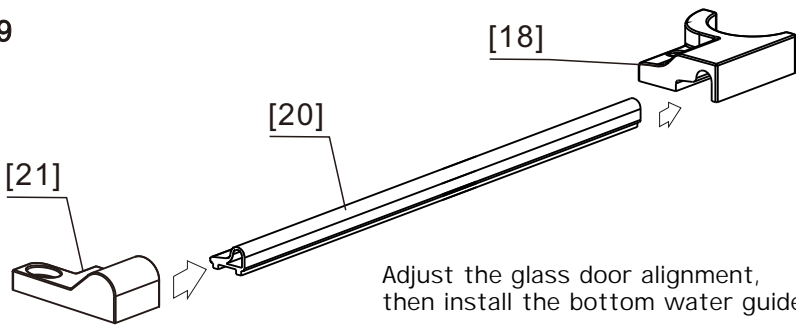
8.1



8.2

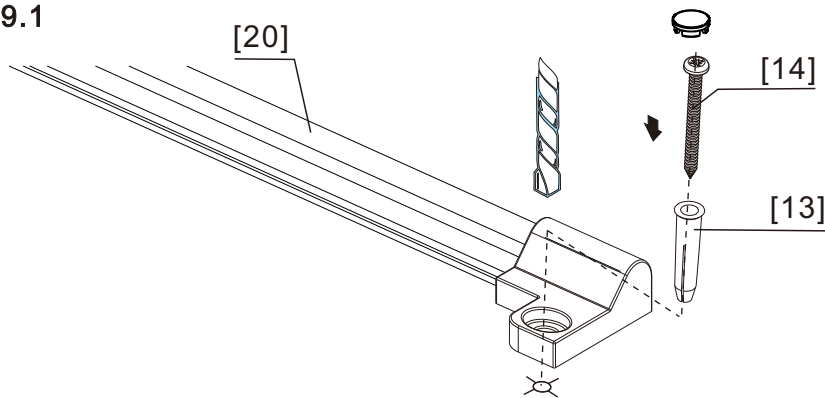


9

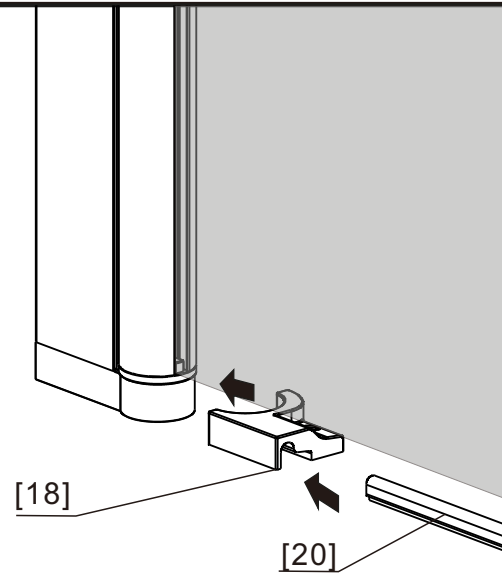


Adjust the glass door alignment, then install the bottom water guide

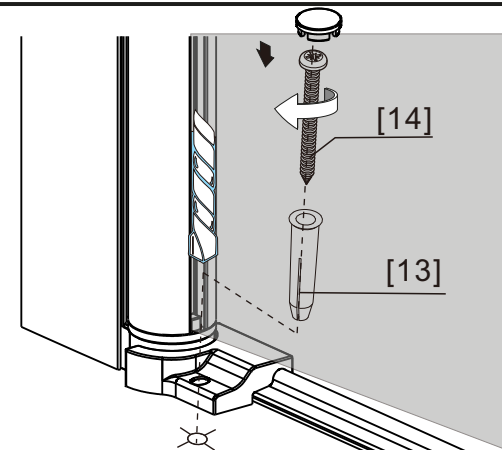
9.1



9.2

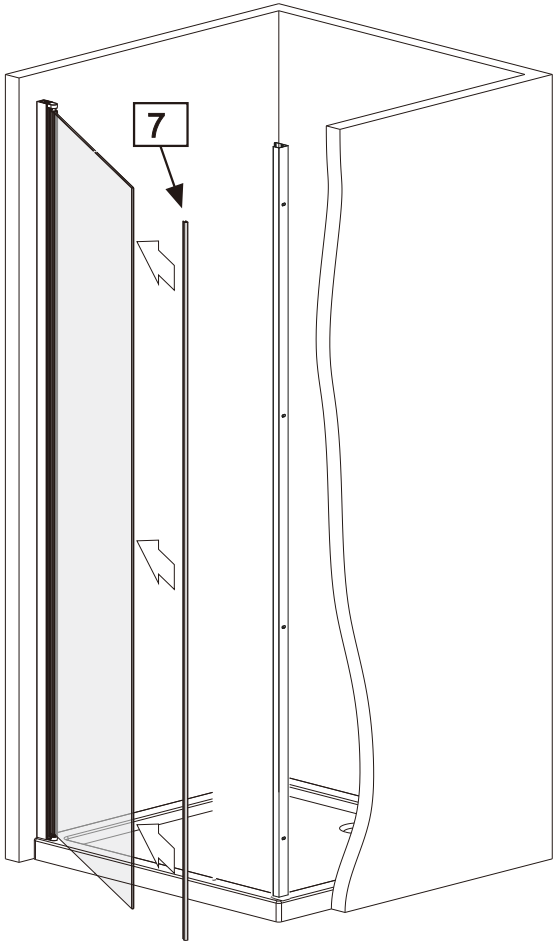


9.3



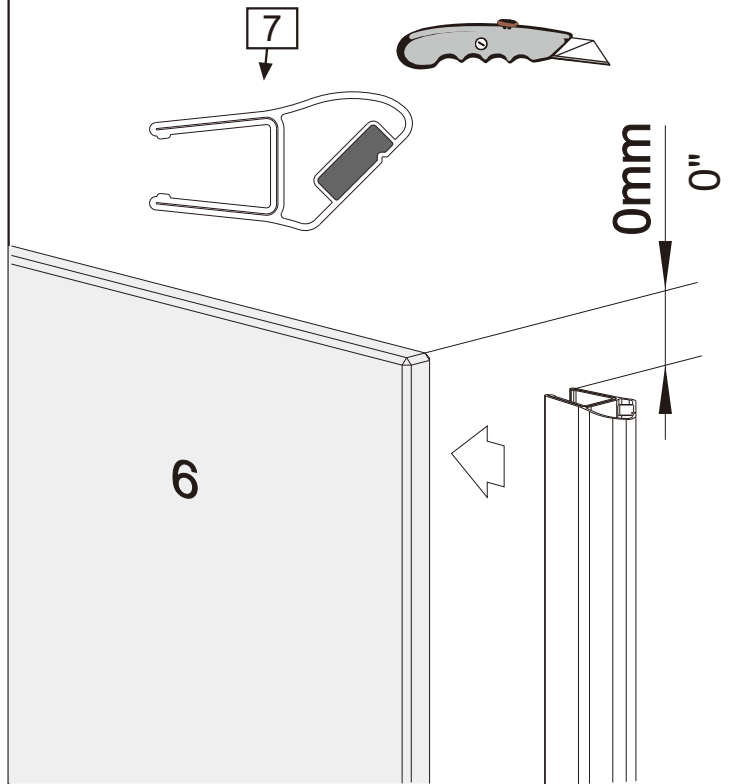


10

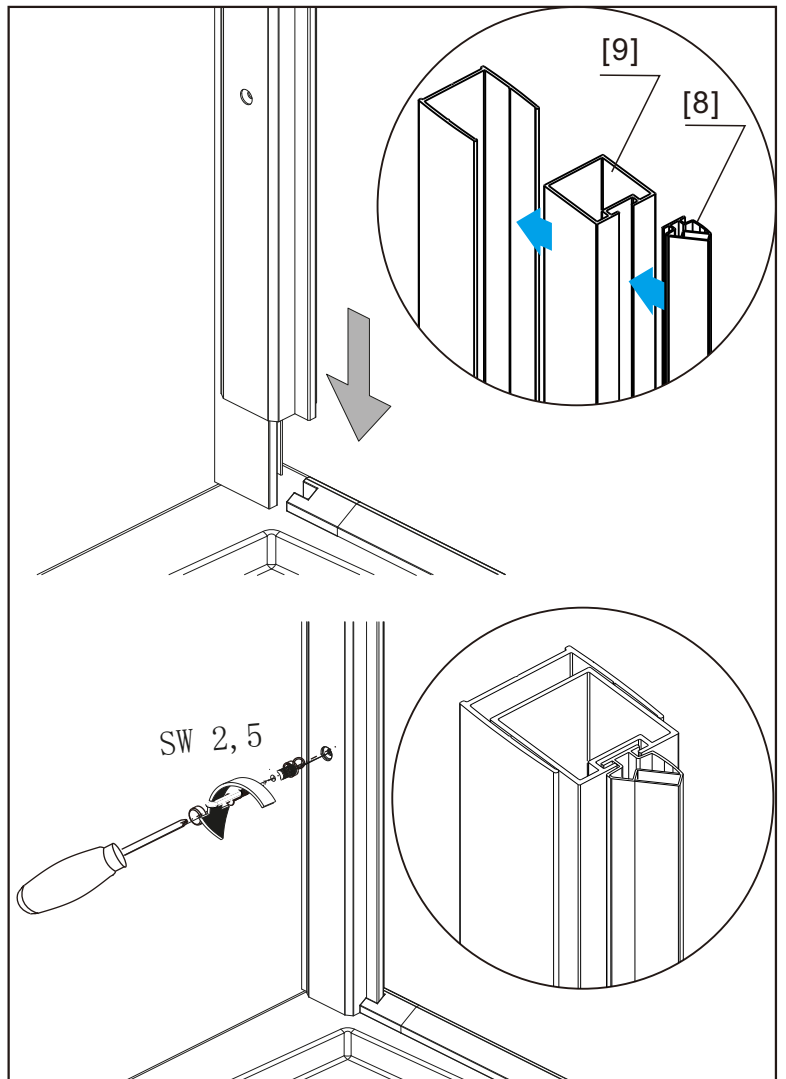
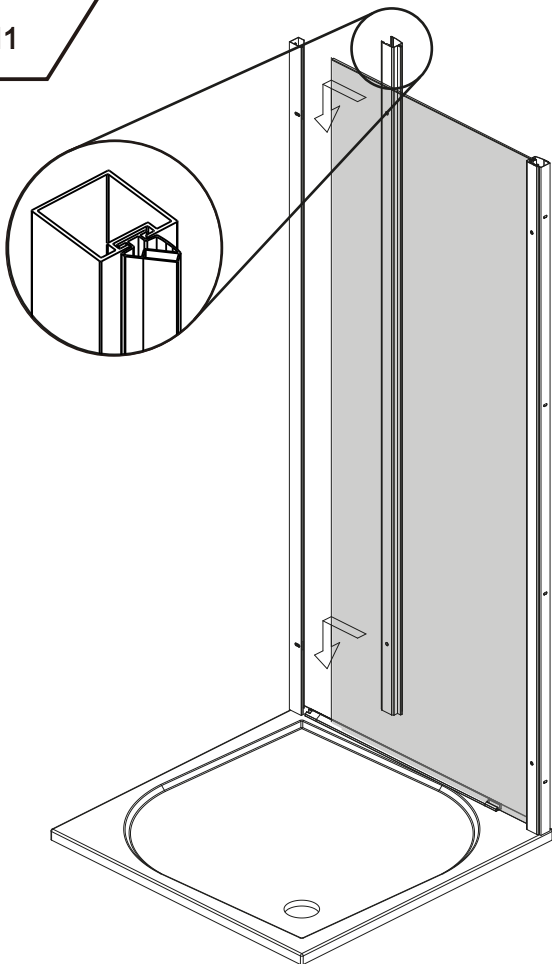


10.1

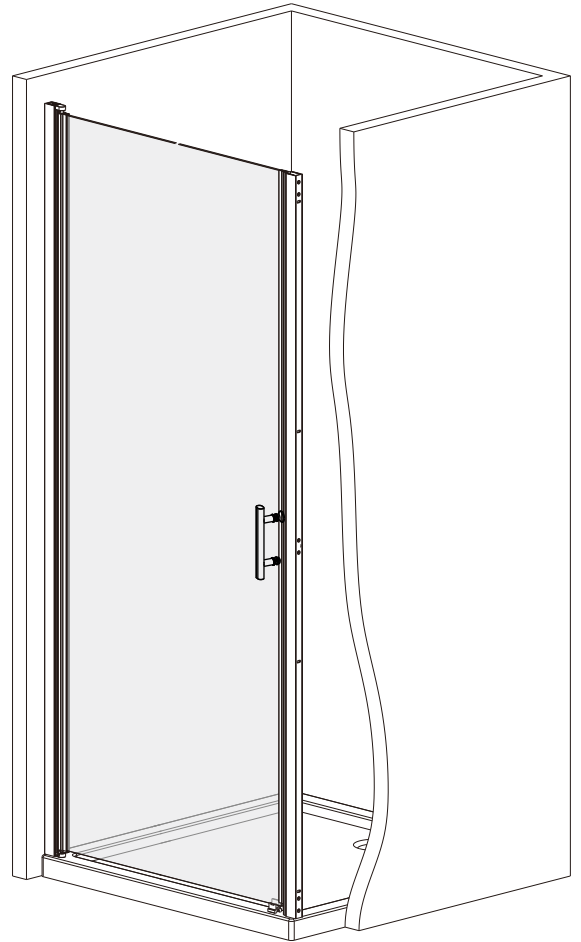
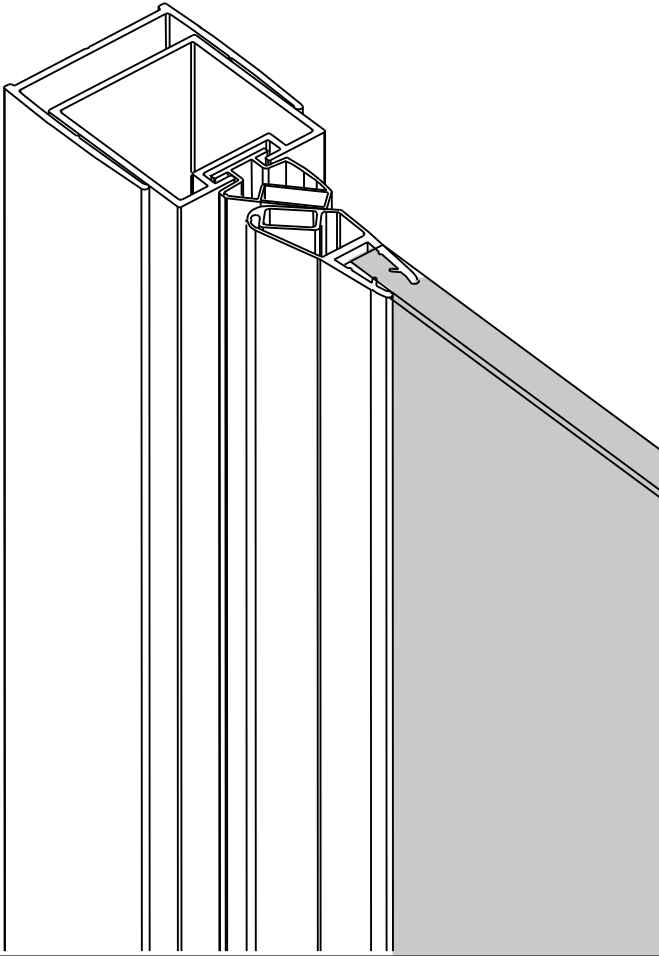
Align the magnetic strip to match the glass height, then install it onto the glass door



11

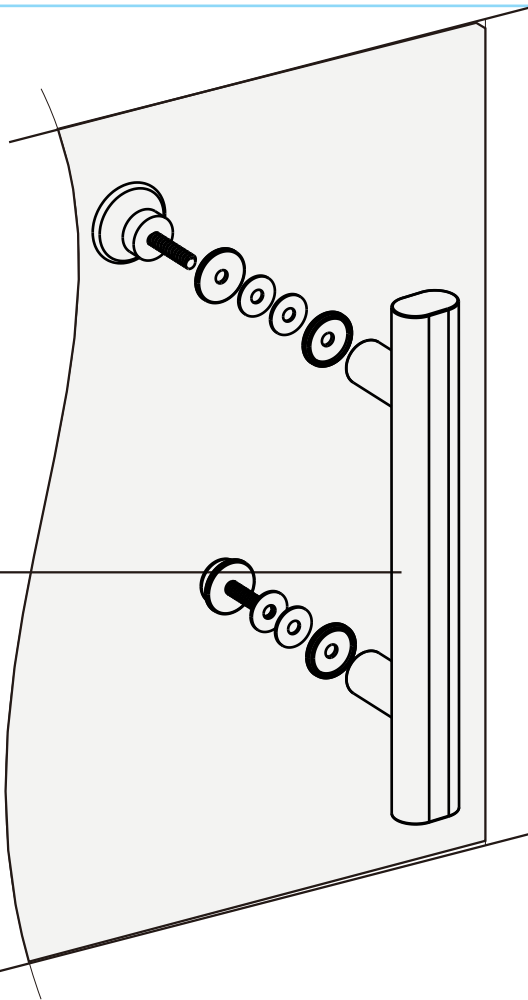


12



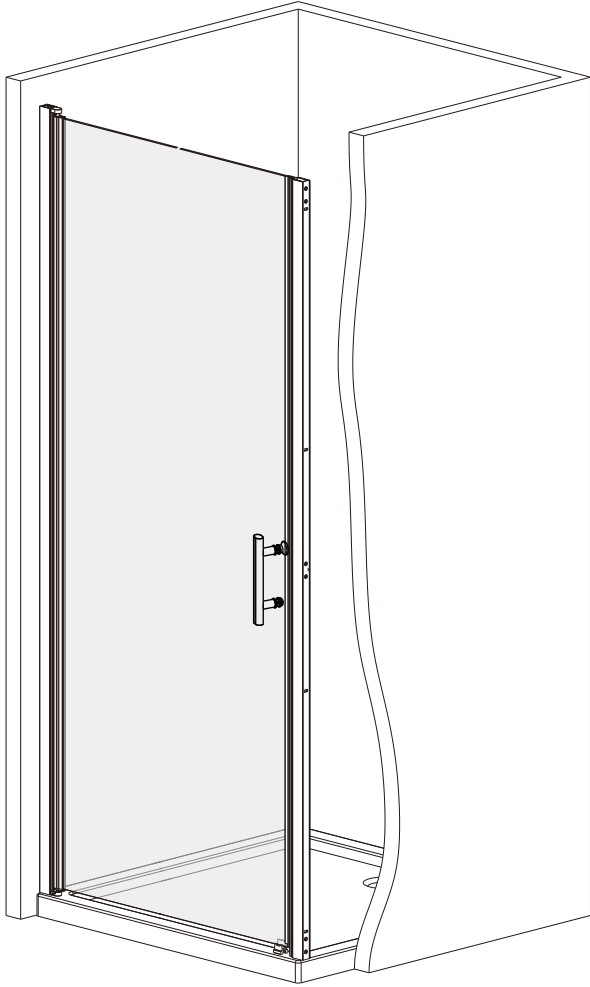
12.1

[15]

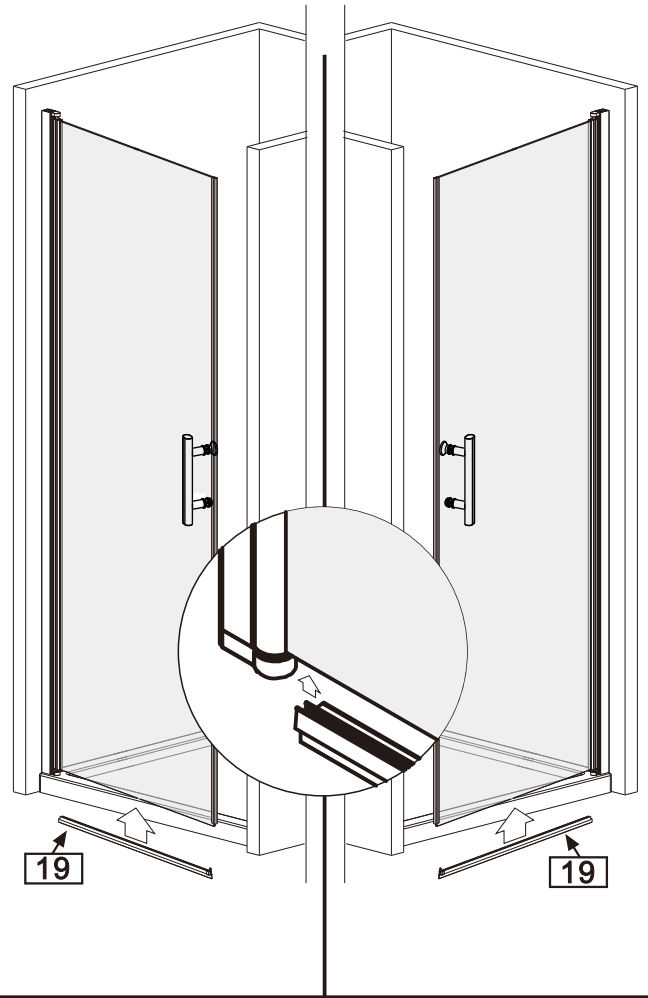


Install the stainless steel handle securely

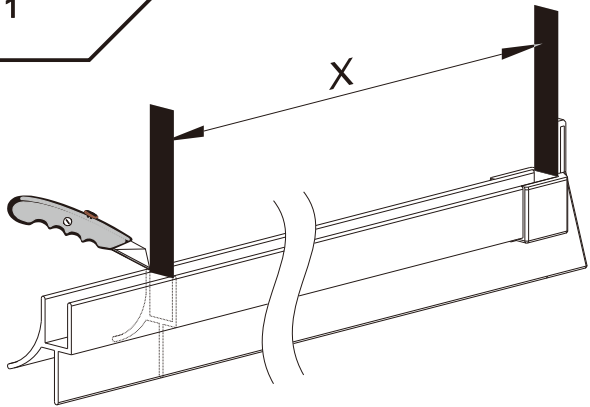
13



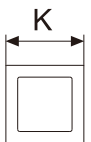
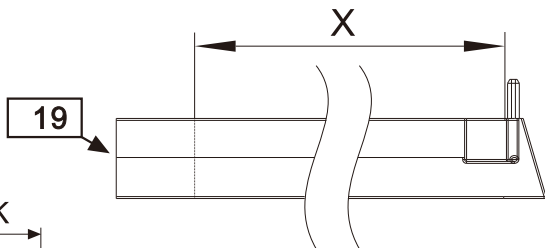
14



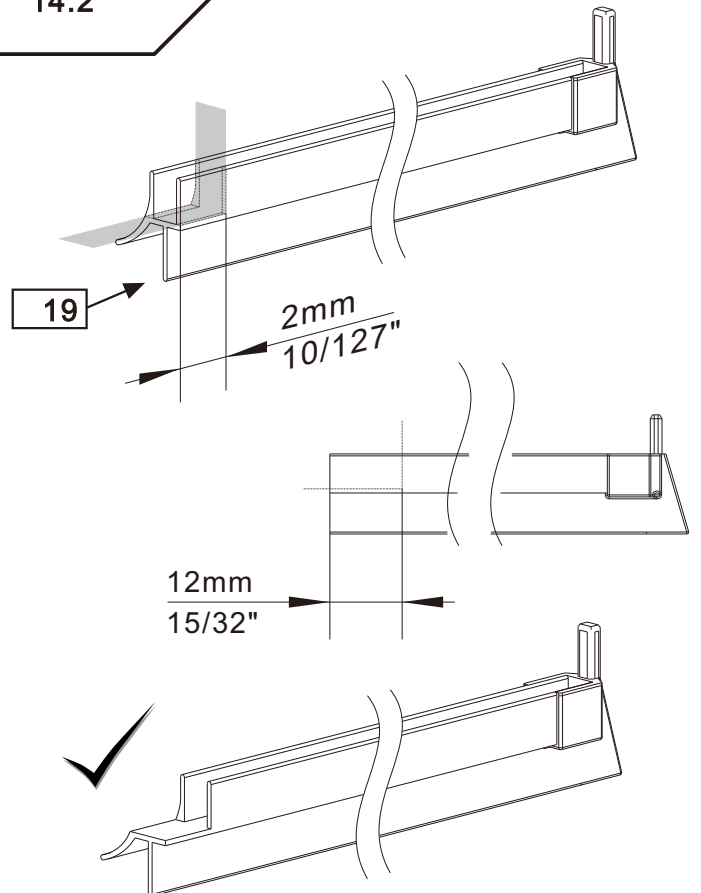
14.1



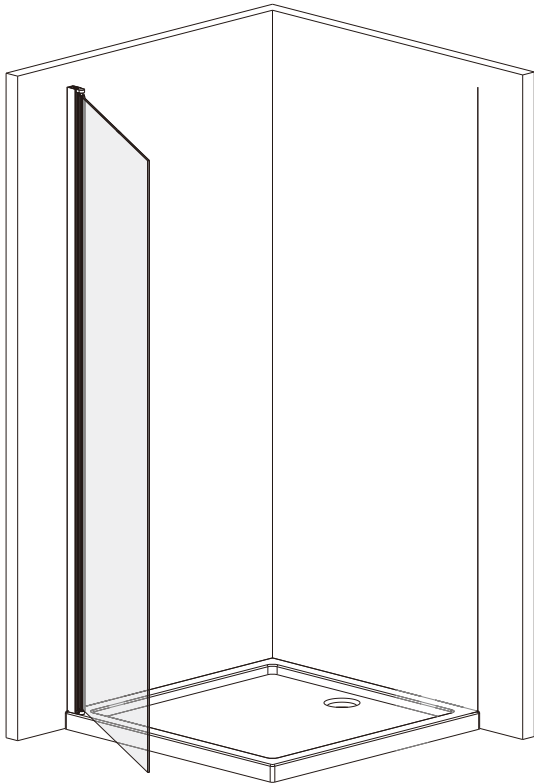
Cut the bottom water guide to match the glass dimensions, then install it



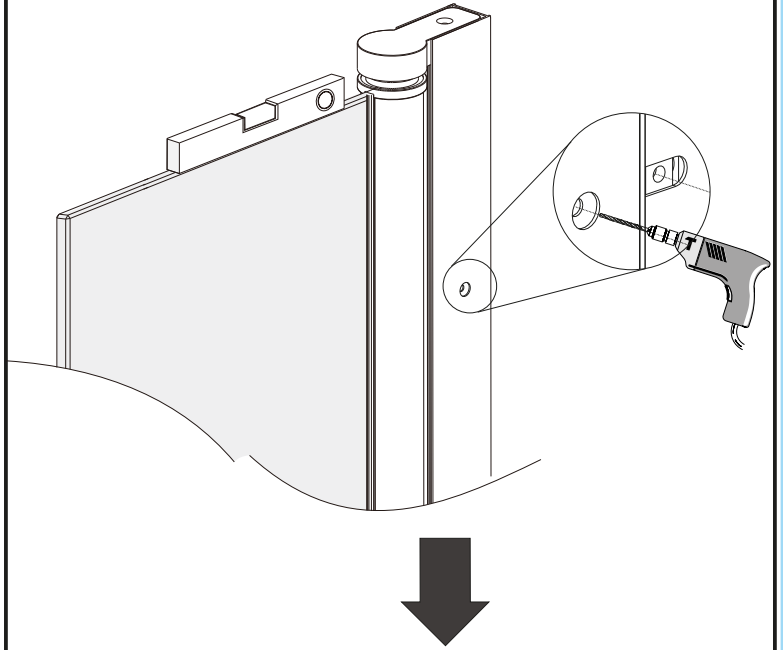
14.2



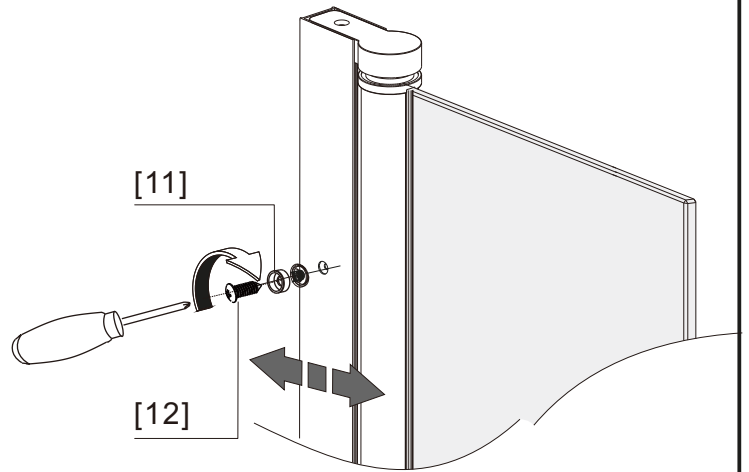
15



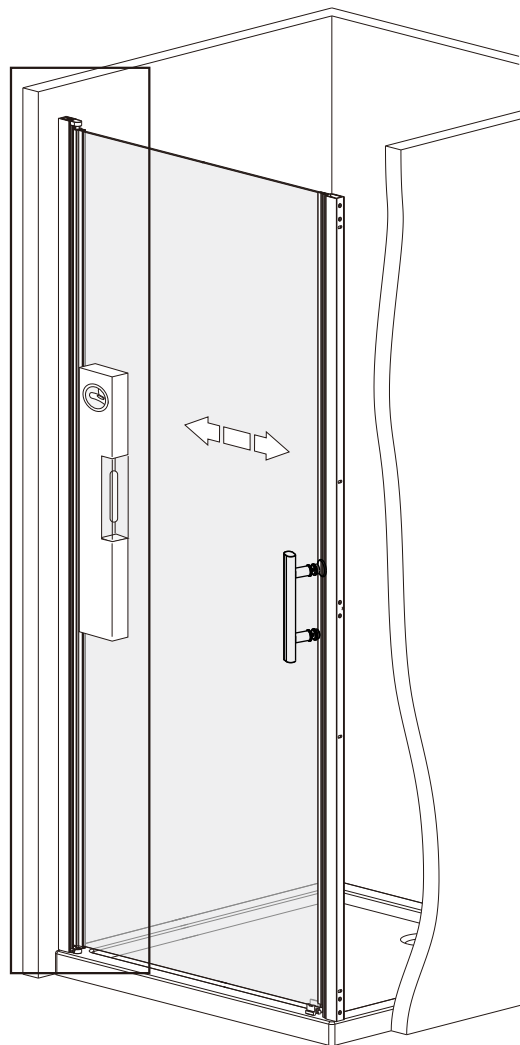
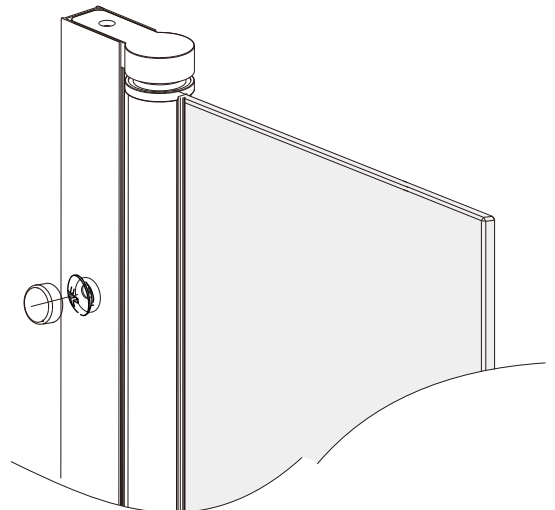
15.1

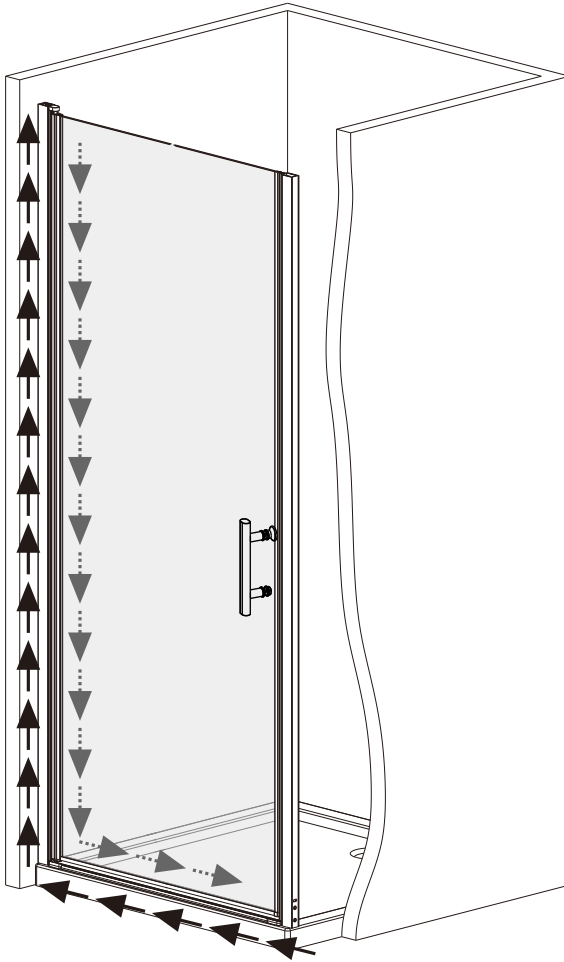


15.2

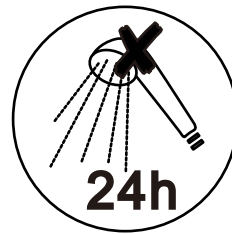


Level the shower enclosure by adjusting both sides, then secure with 4×10mm screws

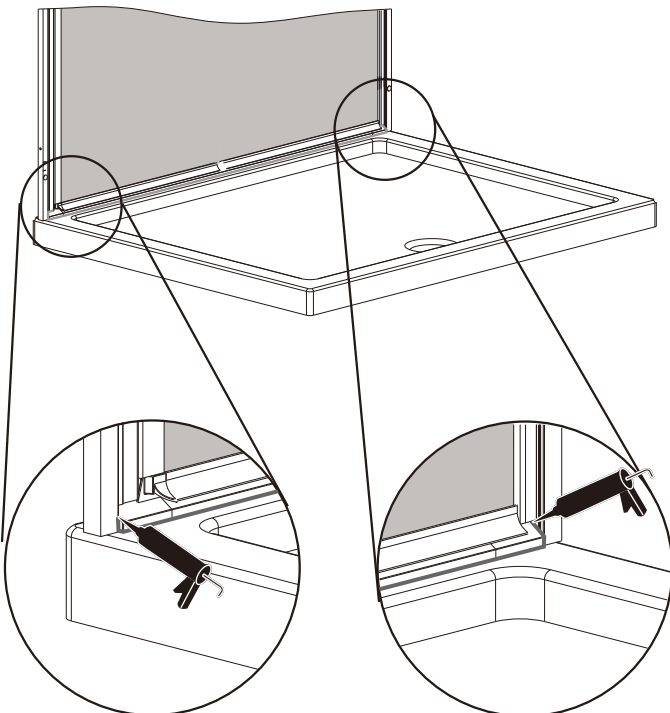




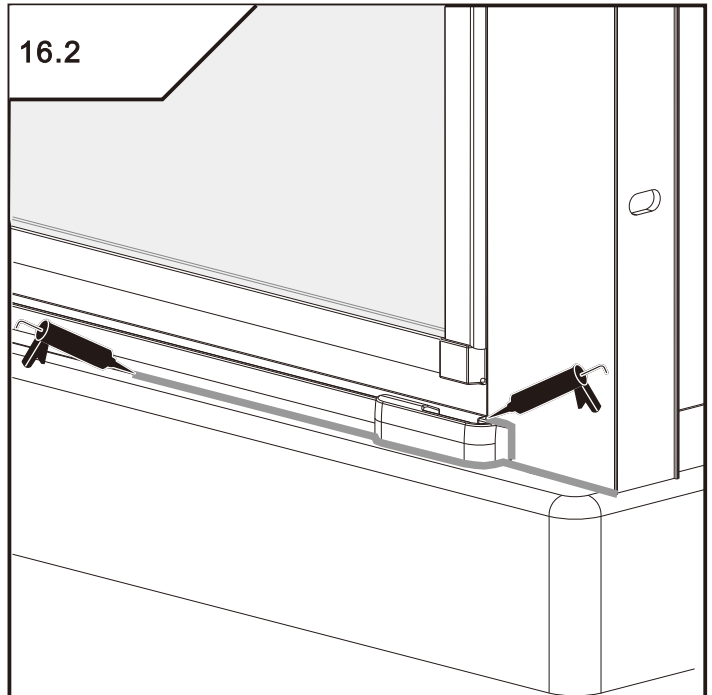
Allow 24 hours for silicone sealant to fully cure before using the shower



## 16.1



## 16.2



Apply silicone sealant to the bottom of the aluminum water guide and shower base.