



# DH SERIES 7-50W LED DOWNLIGHT



DH & DHT series are the fixed recessed downlight, which strike a balance between high lumen and low glare (UGR<17).

-- Patent Design!

**Fixed design, no rotatable, anti-glare downlight,**  
Different color of anti-glare shield & housing for option, the lowest UGR can be 16---Patent design!

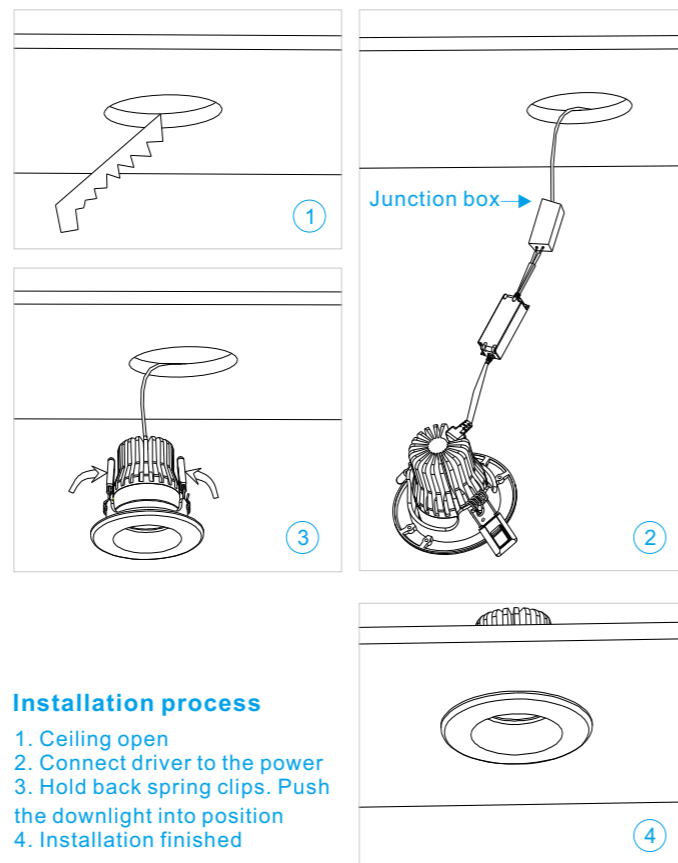
**Support almost all the famous Light source and Driver**  
Perfectly compatible with the same light fixture, same size with different light source and different driver

**Completely free solder assembling**  
Replace any accessories perfectly without any damages, no need soldering tools

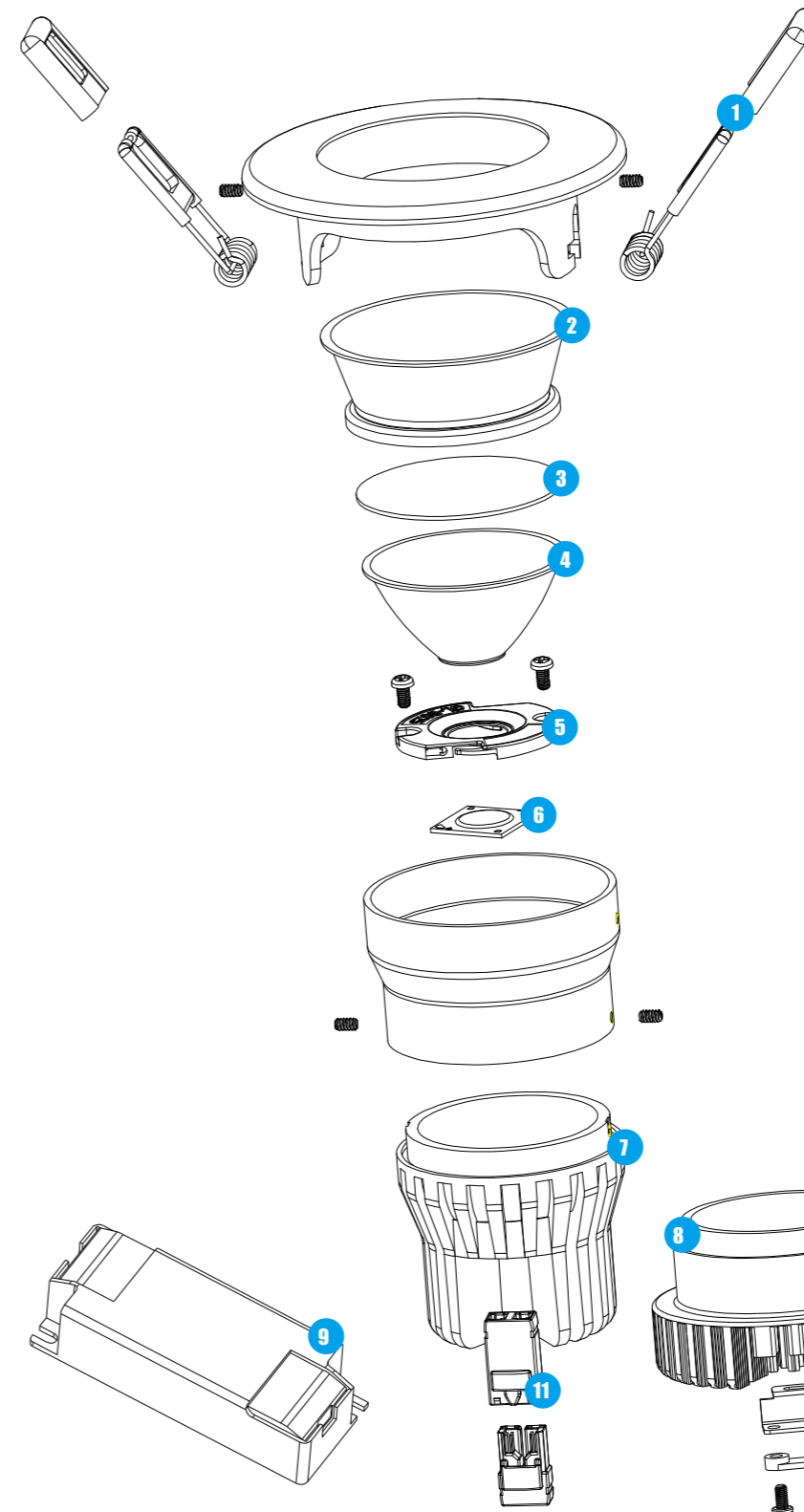
**Perfect secondary optical design:**  
Optional beam angle: 8 - 90 deg, can be used for wall washing effect

**High CRI, High lumens, Low decay LED (L-80)**  
Basic characteristic: 150lm/w under CRI>90 & 3000K

**Flicker free driver & 5 years warranty for whole lamp**  
Support Triac dim, 1-10V dim, DALI dim, DMX dim, 2.4 G dim, warm dim, etc



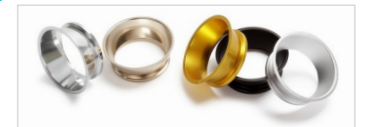
- 11** DC connector with anti-pull-off design. Not only beautiful and practical but also meet all certificates standards.
1. Press the rocker switch with one thumb.
  2. Pull the DC cable upward with fingers while pushing the radiator downward with another thumb.
  3. Separated.



- 1 High-performance spring has passed salt spray test, corrosion resistance test, and anti-decay, ensure no deformation in 10 years. Glass with high transmittance. Full tempered type will not endanger your safety even if it is broken.
- 3



- 2 Optional anti-glare shield. Low UGR<17.



- 4 Pure aluminum optical reflective cup with beam angle 8-90 degree. The narrow beam angle can be used for wall washing effect.



- 5 Light source connector with free soldering design, which can help to replace LED easily and support different brands of LED.

- 6 High quality LED (LM-80) with ceramic substrate.

- 7 Two kinds of radiator. High performance & Cost effective



- 9 Flicker free driver with 5 years warranty and almost all certificates. Other famous drivers are available.

- 10 Anti-pull-off connector can ensure the cable will not be pulled out from lamp body by external force.



**Application:**

Widely used as indoor main illumination lighting in household, hotel, restaurant, shopping mall, bar, KTV, cabinet, office meeting room, library, museum, exhibition, etc.



**Remark: " H " means mounting height**

Cutting size	75-85mm	95-110mm	125-140mm	145-170mm	165-190mm	200-240mm	
	D(H,X,S)0775S Power:7W Size:96*H82 D(H,X,S)T1275S Power:12W Size:96*H78	D(H,X,S)1295S Power:12W Size:120*H94 D(H,X,S)T2095S Power:20W Size:120*H84	D(H,X,S)20125S Power:20W Size:150*H114 D(H,X,S)T30125S Power:30W Size:150*H99	D(H,X,S)30145S Power:30W Size:180*H131 D(H,X,S)T40145S Power:40W Size:180*H117	D(H,X,S)40165S Power:40W Size:200*H140 D(H,X,S)T50165S Power:50W Size:200*H135	D(H,X,S)50200S Power:50W Size:250*H155	 Only: DH40165S Only: DH50200S

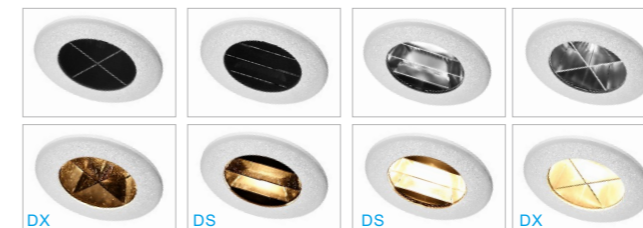
CCT: 2700K,3000K,4000K,5000K,6000K ;

CRI: CRI>90,R9>50/CRI>97,R9>95

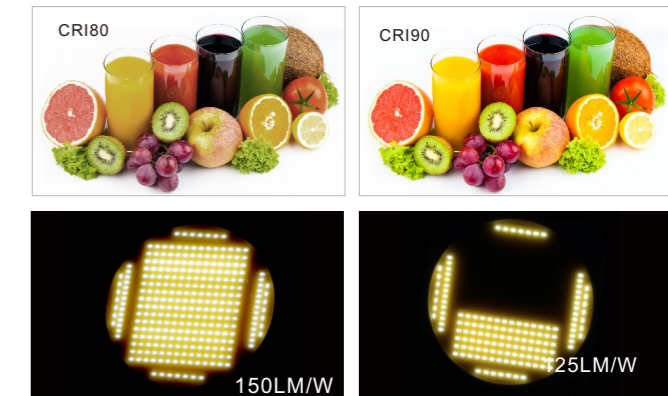
DH,UGR<17  
DX,DS,UGR<12

Item No.	Power (W)	Size (mm)	Illumination	N. W.	Packing	Beam angle (°)	IP	Input voltage		
DH0775S D(X,S)0775S	7W total 8W	96*H82 75-85 (hole)	500-800lm	0.4kg	44*34*41CM 36pcs	25° 38° 50° 90°	IP33	AC100-277V & AC200-240V		
DHT1275S D(X,S)T1275S	12W total 13W	96*H78 75-85 (hole)	1000-1400lm	0.4kg	45*45*37CM 48pcs					
DH1295S D(X,S)1295S	12W total 13W	120*H94 95-110(hole)	1000-1400lm	0.5kg	53*27*57CM 32pcs	20° 38° 50° 90°				
DHT2095S D(X,S)T2095S	20W total 22W	120*H84 95-110(hole)	1500-2300lm	0.6kg	53*40*41CM 36pcs					
DH20125S D(X,S)20125S	20W total 22W	150*H114 125-140(hole)	1500-2300lm	0.9kg	49*49*35CM 18pcs	15° 38° 55° 90°				
DHT30125S D(X,S)T30125S	30W total 32W	150*H99 125-140(hole)	2700-3500lm	0.9kg	49*49*33CM 18pcs					
DH30145S D(X,S)30145S	30W total 32W	180*H131 145-170(hole)	2700-3500lm	1.3kg	39*39*51CM 12pcs	20° 38° 55° 95°				
DHT40145S D(X,S)T40145S	40W total 42W	180*H117 145-170(hole)	3600-4300lm	1.3kg	77*39*32CM 16pcs					
DH40165S D(X,S)40165S	40W total 42W	200*H140 165-190(hole)	3600-4300lm	1.7kg	43*43*34CM 8pcs	15° 38° 60° 95°				
DHT50165S D(X,S)T50165S	50W total 52W	200*H135 165-190(hole)	4600-5300lm	1.9kg	43*43*34CM 8pcs					
DH50200S D(X,S)50200S	50W total 52W	250*H155 200-240(hole)	4600-5300lm	2.1kg	53*53*37CM 8pcs	15° 38° 65° 95°				

DX and DS series downlight are designed for some special place which people may need to look up directly. Such as clothes store, elevator, over the dining-table, etc.



Self-design BESUN COB LED with Epistar chip, ceramic PCB and pure gold thread, which has features of high light efficiency, high CRI, high stability, low light decay, low SDCM, etc. The most representative feature of BESUN COB LED: 150lm/W under CRI>90, R9>50 & 3000K, and the highest CRI can be CRI>97. Also, even if half of the chips don't work, just less than 20% reduction in luminous efficiency.



Support Triac dim, 1-10V dim, Dali dim, DMX dim, 2.4G dim, Perfectly compatible with almost all famous light source & driver: Philips, CREE, CITIZEN, Tridonic, Osram, Lifud, Eaglerise, Meanwell, etc.



Power 7-12W can be CCT adjustable from 2000K to 2800K by Triac dimmable. Lower CCT, low power & lumen will be lower relatively. And 2800K will be with highest luminous flux output.

Power 20-50W can be CCT adjustable from 2700K to 5700K, but power keep the same, and the brightness depends on current CCT only.