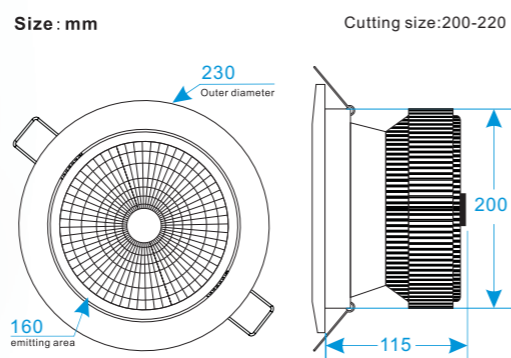


# 50W COB LED DOWNLIGHT

180°rotatable



## D50200

NETWEIGHT 2.2KG	CUTTINGSIZE 200-220MM	PACKING 1 PC 24.5X24.5X17CM	PACKING 8 PC 50.5X50.5X34.5CM
--------------------	--------------------------	-----------------------------------	-------------------------------------

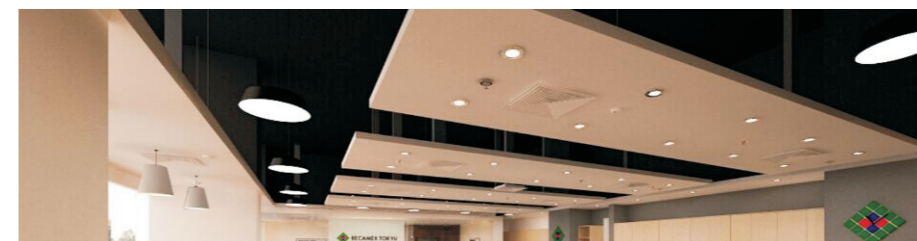


### Features:

High color rendering, uniform luminance, no light spot, no dark space. It was different from the lighting effects of general LED DOWNLIGHT in the market, substitute to the traditional lamp completely, and no maladjustment.

### Application:

Products are widely used as indoor main illumination lighting in the office, commercial center, shopping mall, supermarket, factory, etc.



### Lamp Parameters :

	Standard	Super-bright
Input Voltage	AC100V-277V or AC200V-240V	
Frequency Range	50Hz~60Hz	
Led Consumption	50W	
System Consumption	55W	
Led Initial Flux	4600-4800LM	5600-6400LM
Color Rendering Index	>80	
Working Temperature	-40°C ~ +55°C	
Fireproof Class	V0	
Power cable	2x0.75mm <sup>2</sup>	
Color of housing	black, white, silver	
Certificate	CE ROHS ERP V0 FCC	
Optical data:	IES	

### Driver Parameters :

Brand	Lifud
Input	AC100-277V or AC200V-240V
Output	DC27-42V 1200mA
Power Factor	0.9-0.96
Power Efficiency	87%
Certificate	UL, FCC, CE, SAA, PSE, CQC, TUV UL Certificate Number: E338140 SAA Certificate Number: TUV16071EA
Dimmable	Triac / dali / 1-10V / WIFI

MWANWELL: PLD-60-1400 is optional

Model No.	Beam angle	CRI	CCT	Illumination	Illumination (S)	Input Voltage(V)
D50200	35°/65°	>80	3000K	4600LM	5600LM	AC100V-277V AC200V-240V
			4000K	4700LM	6100LM	
			6000K	4900LM	6400LM	

### AAI Figure

Flux out: 2213 lm

Height	Area	Diameter
1m	6671,185331x	61.83cm
2m	1668,26331x	123.67cm
3m	741.3,11781x	185.50cm
4m	417.8,658.31x	247.34cm
5m	266.9,421.31x	309.17cm
6m	185.3,292.61x	371.01cm
7m	136.2,215.01x	432.4cm
8m	104.2,164.61x	494.68cm
9m	82.36,130.01x	556.51cm
10m	66.71,105.31x	618.35cm

Height Eavg, Emax Angle: 34.36deg Diameter  
Note: The Curves indicate the illuminated area and the average illumination when the luminaire is at different distance.

### AAI Figure

Flux out: 3928 lm

Height	Area	Diameter
1m	3202,56871x	124.18cm
2m	800.4,14221x	248.37cm
3m	355.8,631.91x	372.55cm
4m	200.1,355.41x	496.74cm
5m	128.1,227.51x	620.92cm
6m	88.94,158.01x	745.11cm
7m	65.34,116.11x	869.29cm
8m	50.03,88.861x	993.48cm
9m	39.53,70.211x	1117.66cm
10m	32.02,56.871x	1241.85cm

Height Eavg, Emax Angle: 63.67deg Diameter  
Note: The Curves indicate the illuminated area and the average illumination when the luminaire is at different distance.