

SLZ Street Light Datasheet



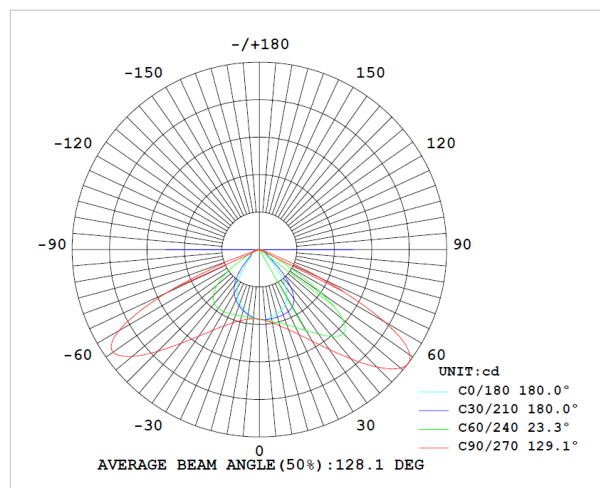
Key Spec

- ⇒ **Efficacy:** Up to 130 lm/w
- ⇒ **LED Chip:** SMD3030
- ⇒ **SDCM:** <5
- ⇒ **Beam Angle :** 70°x140° PC lens
- ⇒ **IP Rating:** IP65
- ⇒ **Installation:** Ø60mm Pole
- ⇒ **Warranty:** 3 years

Application

Road lighting for various settings, including secondary arterial roads and branch roads; residential communities, parks, and public squares; campuses, industrial parks, and more.

Photometry



SLZ Street Light Datasheet

Product Data

Model No.	KML-SL050Z	KML-SL100Z	KML-SL150Z	KML-SL200Z	KML-SL240Z
Power	50W	100W	150W	200W	240W
Lumen Output	6,500 lm	13,000 lm	19,500 lm	26,000 lm	31,200 lm
Luminous Efficacy	130 lm/w				
CCT	3000K 4000K 5000K 5700K 6500K				
CRI	Ra≥70 (Ra≥80 optional)				
Input Voltage	100 to 240 VAC/220 to 240 VAC; 50Hz/60HZ				
Spigot Size	Ø60mm				
Housing Color	Gray Black				
Housing Material	Aluminum, PC				
Power Factor	PF≥0.90				
Operating Temperature	-30°C to +40°C				
Operating Humidity	10% to 90% RH				
Design Lifespan	50,000 hours				
Warranty	3 years				

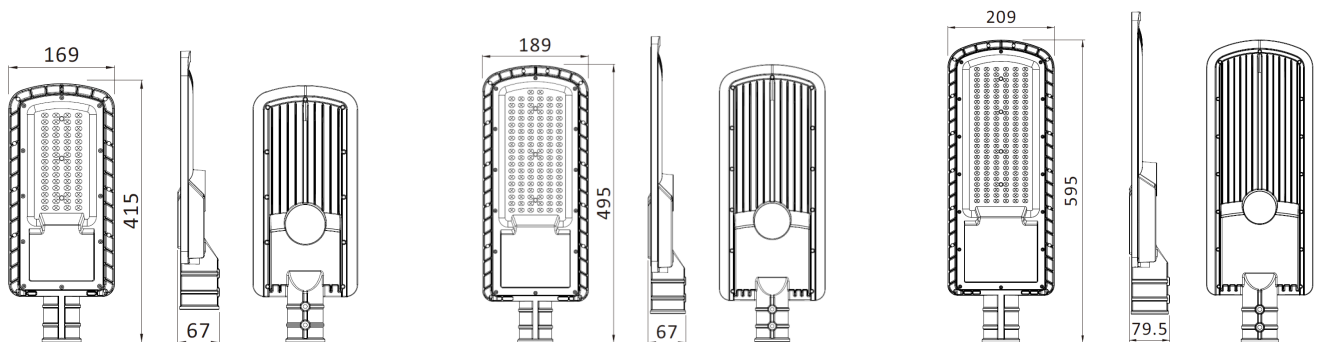
**Note: 1. The above parameters are all obtained at +25°C and there are errors within the allowable range of relevant standards.
2. This specification book is for reference only. We retains the right to optimize and modify without pre -notification!**

SLZ Street Light Datasheet

Mounting & Accessories (optional)

	<p>Non-adjustable mounting angle</p> <p>Model No.: SLZ-BKTAZ</p>
	<p>Adjustable mounting angle</p> <p>Model No.: SLZ-KTAZ</p>

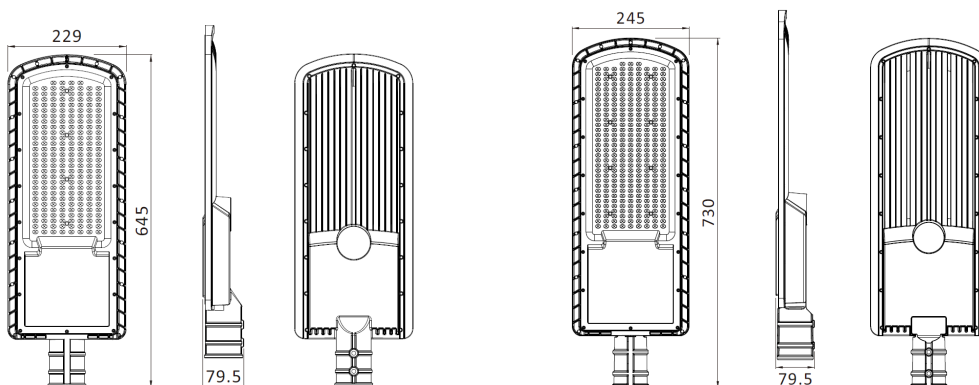
Dimension (Non-adjustable mounting angle; unit: mm)



KML-SL050Z

KML-SL100Z

KML-SL150Z

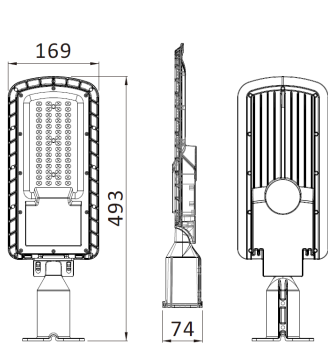


KML-SL200Z

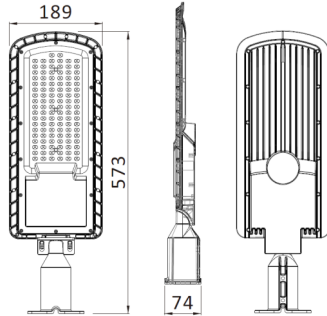
KML-SL240Z

SLZ Street Light Datasheet

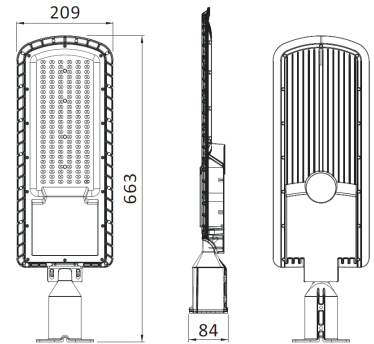
Dimension (Adjustable mounting angle; unit: mm)



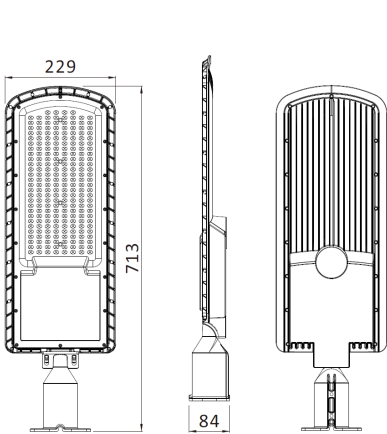
KML-SL050Z



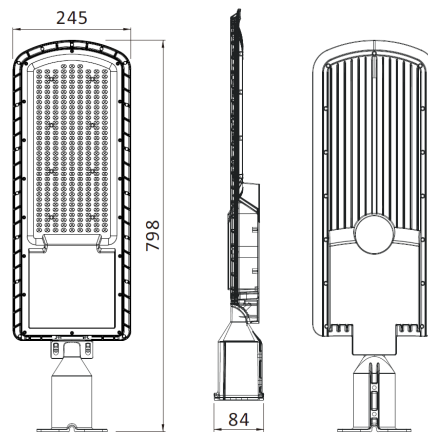
KML-SL100Z



KML-SL150Z



KML-SL200Z



KML-SL240Z