

SLY Street Light Datasheet



Key Spec

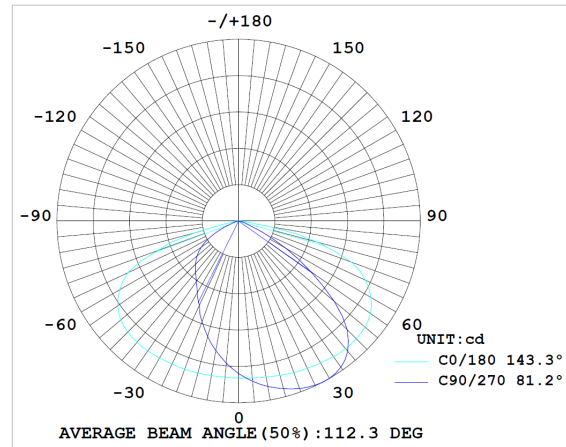
- ⇒ **Efficacy:** Up to 140 lm/w
- ⇒ **LED Chip:** SMD3030
- ⇒ **SDCM:** <5
- ⇒ **Beam Angle :** Type II | Type III
- ⇒ **IP Rating:** IP65
- ⇒ **Control:** Daylight | NEMA or ZHAGA port | PLC | 4G
- ⇒ **Power off Switch :** Plug-in
- ⇒ **Installation:** Ø60mm Pole
- ⇒ **Warranty:** 5 years

Application

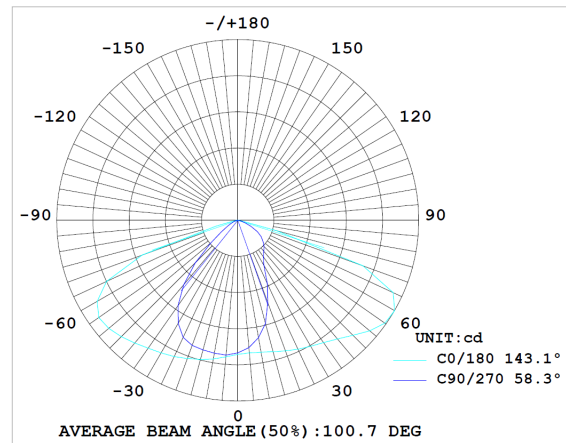
Urban main roads, expressways; secondary roads, branch roads; highways, tunnels, bridges; residential areas, parks, squares; airports, ports, docks; campuses, industrial parks and other types of road lighting.

Photometry

Type II PC lens



Type III PC lens



SLY Street Light Datasheet


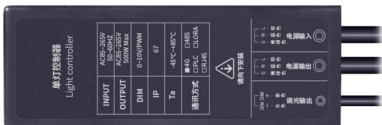




Product Data

Model No.	KML-SL050Y	KML-SL100Y	KML-SL150Y	KML-SL200Y
Power	50W	100W	150W	200W
Lumen Output	7,000 lm	14,000 lm	21,000 lm	28,000 lm
Luminous Efficacy	140 lm/w			
CCT	3000K 4000K 5000K 5700K 6500K			
CRI	Ra≥70 (Ra≥80 optional)			
Input Voltage	100 to 277 VAC; 50Hz/60HZ			
Spigot Size	Ø60mm			
Power Factor	PF≥0.90			
Efficiency In	≥90%			
Energy Efficiency Class	D			
Housing Color	Gray			
Housing Material	Aluminum, PC			
Operating Temperature	-30°C to +45°C			
Operating Humidity	10% to 90% RH			
Design Lifespan	100,000 hours			
Warranty	5 years			

**Note: 1. The above parameters are all obtained at +25°C and there are errors within the allowable range of relevant standards.
2. This specification book is for reference only. We retains the right to optimize and modify without pre -notification!**

SLY Street Light Datasheet

Mounting & Accessories (optional)

	<p>Daylight Sensor</p> <p>Model No.: SLGG Light On < 6lux; Light Off > 50lux</p>
	<p>PLC Power line communication</p> <ul style="list-style-type: none"> ⇒ Power line communication; Supports scheduling, time-of-day control, holiday settings, and dimming strategies; ⇒ It can expand functions such as lamp pole tilt detection/lamp movement with vehicle/illuminance detection/leakage monitoring, etc. ⇒ Supports various protocols (TCP, MQTT, API, etc.) for integration with third-party systems.
	<p>4G (single light controller)</p> <ul style="list-style-type: none"> ⇒ 4G CAT.1 communication, built-in chip card, full network access; ⇒ Support timing, longitude and latitude time control, holidays and dimming strategies; ⇒ It can expand functions such as lamp pole tilt detection/lamp movement with vehicle/illuminance detection/leakage monitoring, etc. ⇒ Supports multiple protocols such as TCP/MQTT/API to connect to third-party systems.
	<p>NEMA 7 pins Socket with Blank Cover</p> <p>Black; when selected, it needs to be used with a dimming driver. Socket Model No.: JL-240FXA-14 Shorting Cap Model No.: JL-208</p>
	<p>ZHAGA 4 pins Socket and Daylight Sensor</p> <p>Black; when selected, it needs to be used with a dimming driver with an auxiliary source. Socket Model No.: JL-700; with cover. Light control Model No.: JL-701A; with socket and light control.</p>
	<p>Surge Protection Device</p> <p>Surge Protection Device Model No.: SL-FLQ-P10B; 10kV 10kA SL-FLQ-P20B; 20kV 20kA</p>

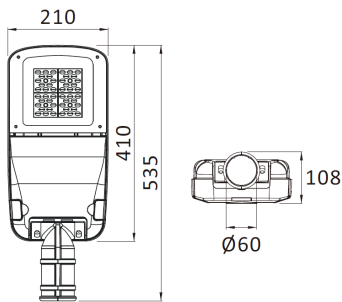
SLY Street Light Datasheet

Packaging (without daylight sensor)

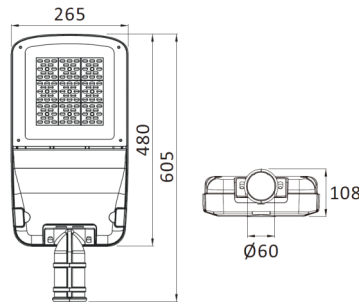
Model No.	PCS/CTN	N.W	G.W	Volumetric Weight	Packaging size	20GP(28m ³)	40HC/HQ(68m ³)
KML-SL050Y	1 pcs	3.0 kg	3.5 kg	4.8 kg	L570xW270xH155 mm	1,166 pcs	2,833 pcs
KML-SL100Y	1 pcs	4.0 kg	4.6 kg	6.4 kg	L640xW320xH155 mm	875 pcs	2,125 pcs
KML-SL150Y	1 pcs	4.7 kg	5.5 kg	7.4 kg	L740xW320xH155 mm	756 pcs	1,837 pcs
KML-SL200Y	1 pcs	5.6 kg	6.6 kg	7.9 kg	L790xW320xH155 mm	717 pcs	1,743 pcs

Remarks: The weight of the above products is for reference only, and the weight of different configuration products will be different.

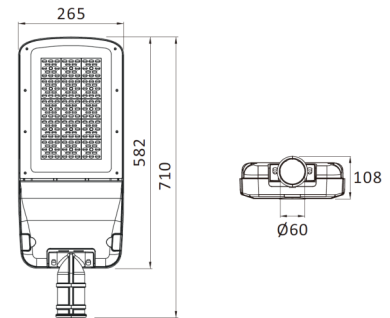
Dimension (unit: mm)



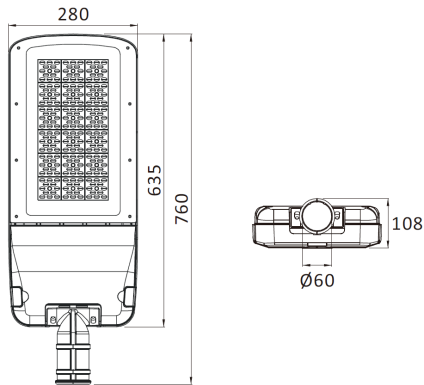
KML-SL050Y



KML-SL100Y



KML-SL150Y



KML-SL200Y