



700/900 Series 2/4/6-Burner Gas Range 🔥

700/900 Series

- 700 series: Continental burners
- 900 series: Chinese burners



F7035GGR



F9040GGR

Model	Dimension (mm)	Gas Consumption (Btu/hr)	Gas Type	Net Weight (KG)
F7035GGR	350*700*850+60	37542	NG/LPG	86
F9040GGR	400*900*850+120	40956	NG/LPG	59.5

700/900 Series 4/6 Burner Gas Range With Oven 🔥



F7070GGR



F9080GGR



F7010GGR



F9012GGR

- 2/4/6 open burners
- Burners made by precision forging
- Full stainless steel constructed body
- Extremely low emission values, high efficiency
- Equipped with flame failure protection device, safe and reliable
- Complete combustion ensures high heat efficiency and reduces fumes

Model	Dimension (mm)	Oven Inside Dimension (mm)	Total Gas Consumption (Btu/hr)	Open Burner (Btu/hr)	Oven Burner (Btu/hr)	Net Weight (KG)
F7070GGR	700*700*850+60	530*560*260	107167	88737	18430	113.5
F9080GGR	800*900*850+120	560*680*280	100341	81911	18430	136
F7010GGR	1050*700*850+60	530*560*260	151535	133106	18430	147
F9012GGR	1200*900*850+120	560*680*280	141297	122867	18430	180.5



X Series 4/6-Burner Gas Range 🔥



FCXGGR-0707



FCXGGR-0707C



FCXGGR-0707S



FCXGGC-1007



FCXGGC-1007C



FCXGGC-1007S

Model	Dimension (mm)	Gas Consumption (Btu/hr)	Gas Type	Net Weight (KG)
FCXGGR-0707	700*700*500	54608	NG/LPG	43.3
FCXGGR-0707C	700*700*850+100	54608	NG/LPG	64.3
FCXGGR-0707S	700*700*850+100	54608	NG/LPG	55.3
FCXGGR-1007	1050*700*500	81911	NG/LPG	66.5
FCXGGR-1007C	1050*700*850+100	81911	NG/LPG	87.5
FCXGGR-1007S	1050*700*850+100	81911	NG/LPG	80.5

 700/900 Series 4/6-Burner Gas Range With Oven / Cabinet

- 4/6 open burners
- Full stainless steel constructed body
- Extremely low emission values, high efficiency
- Equipped with flame failure protection device, safe and reliable



K1250-1



K1250-2



K1250-3



K1250-4



K1251-1



K1251-2



K1251-3



K1251-4

Model	Dimension (mm)	Gas Consumption (Btu/hr)	Gas Type	Net Weight (KG)
K1250-1	700*700*(850+60)	102390	NG/LPG	103
K1250-2	800*900*(850+120)	88738	NG/LPG	131.5
K1250-3	700*700*(850+60)	122868	NG/LPG	113.5
K1250-4	800*900*(850+120)	107168	NG/LPG	165
K1251-1	1050*700*(850+60)	81912	NG/LPG	148.5
K1251-2	1200*900*(850+120)	81912	NG/LPG	174.5
K1251-3	1050*700*(850+60)	100342	NG/LPG	147
K1251-4	1200*900*(850+120)	132424	NG/LPG	180.5

 600 Series Gas Range With 4/6-Burner
400 Series Gas Range With 2-Burner

- 600 series gas range with 4/6 burners
- Countertop design, flexible combination
- Cast iron pot support, suitable for small size pots
- 400 series gas range with 2 burners, compact design
- Gridiron pot-support made of stainless steel



K1262-1



K1262-2



K1276

Model	Dimension (mm)	Gas Consumption (Btu/hr)	Gas Type	Net Weight (KG)
K1262-1	600*650*(370+150)	36178	NG/LPG	54
K1262-2	900*650*(370+150)	54608	NG/LPG	76.5
K1276	400*665*485	17065	NG/LPG	36.5



700/900 Series Electric or Gas 2/3 Flat 1/3 Grooved Griddle With Cabinet  



F7070EDC



F9080EDC



F7070GDC



F9080GDC

- Full stainless steel constructed body
- 2 independently-controlled cooking zones, 20mm thick grilled board
- Chrome-plated cooking surface, smooth and wear-resistant
- With temperature limiter

Model	Dimension (mm)	Griddle Size (mm)	Electrical	Gas Consumption (BTU/HR)	Net Weight (KG)
F7070EDC	700*700*850+60	600*460*16	380V/50-60HZ/9KW	/	89.5
F9080EDC	800*900*850+120	700*580*16	380V/50-60HZ/12KW	/	94.5
F7070GDC	700*700*850+60	600*460*16	/	34130	92
F9080GDC	800*900*850+120	700*580*16	/	51195	135



X Series Electric or Gas Griddle  



FCXEGD-0707



FCXEGD-0707C



FCXEGD-0707S



FCXGGD-0707



FCXGGD-0707C



FCXGGD-0707S

Model	Dimension (mm)	Griddle Size (mm)	Electrical	Temperature Range (°C)	Net Weight (KG)
FCXEGD-0707	700*700*500	576*410*16	220-240V/50-60HZ/5KW	50-300	58
FCXEGD-0707C	700*700*850+100	576*410*16	220-240V/50-60HZ/5KW	50-300	79
FCXEGD-0707S	700*700*850+100	576*410*16	220-240V/50-60HZ/5KW	50-300	70

Model	Dimension (mm)	Griddle Size (mm)	Electrical	Gas Consumption (Btu/hr)	Net Weight (KG)
FCXGGD-0707	700*700*500	576*410*16	/	34812	60
FCXGGD-0707C	700*700*850+100	576*410*16	/	34812	81
FCXGGD-0707S	700*700*850+60	576*410*16	/	34812	72



FCXEGD-1207



FCXEGD-1207C



FCXEGD-1207S



FCXGGD-1207



FCXGGD-1207C



FCXGGD-1207S

Model	Dimension (mm)	Griddle Size (mm)	Electrical	Gas Consumption (Btu/hr)	Net Weight (KG)
FCXEGD-1207	1200*700*500	1076*410*16	380V/50-60HZ/10KW	/	100
FCXEGD-1207C	1200*700*850+100	1076*410*16	380V/50HZ	/	121
FCXEGD-1207S	1200*700*850+100	1076*410*16	380V/50HZ	/	116
FCXGGD-1207	1200*700*500	1076*410*16	/	104437	102
FCXGGD-1207C	1200*700*850+100	1076*410*16	/	104437	123
FCXGGD-1207S	1200*700*850+100	1076*410*16	/	104437	118

  700/900 Series Electric or Gas 2/3 Flat 1/3 Grooved Griddle With Oven or Cabinet



K1252-1



K1252-2



K1252-3



K1252-4



K1252-5



K1252-6

- Full stainless steel constructed body
- 2 independently-controlled cooking zones
- The welded griddle plate is solid and firm and can be completely cleaned
- Heavy-duty, adjustable feet provide stability
- With temperature limiter

Model	Dimension (mm)	Griddle Size (mm)	Electrical (mm)	Gas Consumption (Btu/hr)	Oven Power (KW)	Net Weight (KG)
K1252-1	700*700*(850+60)	600*460*20	380V/50-60HZ/9KW	/	/	90
K1252-2	700*700*(850+60)	600*460*20	/	81912	/	92
K1252-3	800*900*(850+120)	/	380V/50-60HZ/15KW	/	/	130
K1252-4	800*900*(850+120)	700*580*16	/	95564	/	135
K1252-5	700*700*(850+60)	/	380V/50-60HZ/13.8KW	/	4.8	141.5
K1252-6	1200*900*(850+120)	/	1200*900*(850+120)	81912	4.8	174.5



  Counter Top Electric or Gas Flat Griddle



FSEGD-0605A



FSEGD-0605B



FSEGD-0705A



FSGGD-0605A



FSGGD-0605B



FSGGD-0706

- Counter top model, convenient for moving
- 12mm thick cast iron griddle plate
- With removable oil gathering box

Model	Dimension (mm)	Electrical	Gas Consumption (Btu/hr)	Temperature Range (°C)	Net Weight (KG)
FSEGD-0605A	550*450*230	220V/50HZ/3KW	/	50-300	23
FSEGD-0605B	550*512*262	220V/50HZ/3KW	/	50-300	23
FSEGD-0705A	735*520*260	220V/50HZ/4.4KW	/	50-300	23
FSGGD-0605A	550*500*520	/	17065	/	25
FSGGD-0605B	550*500*520	/	17065	/	25
FSGGD-0706	400*665*485	/	17065	/	25

400/600 Series Electric or Gas Griddle



K1263-1



K1263-2



K1271-1



K1271-2

- Full stainless steel constructed body
- Cast iron griddle plate provides even heat distribution
- With backsplash and removable oil gathering box
- The welded griddle plate is solid and firm and can be completely cleaned

Model	Dimension (mm)	Electrical	Gas Consumption (BTU/HR)	Temperature Range (°C)	Net Weight (KG)
K1263-1	600*580*(300+75)	380V/50-60HZ/5KW	/	50-270	46
K1263-2	600*650*(370+150)	/	232084	/	16.8
K1271-1	400*665*485	380V/50-60HZ/5KW	/	/	58
K1271-2	400*665*485	/	36860	/	48.5



700/900 Series Electric or Gas Lava Rock Grill With Cabinet



- Full stainless steel constructed body
- 16mm thick cast iron grilled board
- 2 Independently controlled cooking zones
- Continuous heating regulation

Model	Dimension (mm)	Grill Size (mm)	Electrical	Gas Consumption (BTU/HR)	Net Weight (KG)
F7070ELC	700*700*850+60	610*520	380V/50-60HZ/7.5KW	/	86
F9080ELC	800*900*850+120	700*570	380V/50-60HZ/12KW	/	160
F7070GLC	700*700*850+60	610*520	/	47782	106
F9080GLC	800*900*850+120	700*570	/	78498	140



X Series Electric or Gas Lava Rock Grill



Model	Dimension (mm)	Temperature Range (°C)	Electrical	Gas Consumption (BTU/HR)	Net Weight (KG)
FCXELG-0707	700*700*500	50-270	380V/50-60HZ/7.5KW	/	47.6
FCXELG-0707C	700*700*850+100	50-270	380V/50-60HZ/7.5KW	/	68.6
FCXELG-0707S	700*700*850+100	50-270	380V/50-60HZ/7.5KW	/	59.6
FCXGLG-0707	700*700*500	/	/	58020	63.5
FCXGLG-0707C	700*700*850+100	/	/	58020	84.5
FCXGLG-0707S	700*700*850+100	/	/	58020	75.5

- 2 independently controlled cooking zones (4 for 1200mm models)
- Cooking grid manufactured from cast iron, will not deform easily
- Continuous heating regulation, evenly heat distribution
- Features high heat efficiency, energy conservation, low fumes, great safety and reliability
- Can be equipped with open cabinet or stand



Model	Dimension (mm)	Electrical	Gas Consumption (BTU/HR)	Net Weight (KG)
FCXGLG-1207	1200*700*500	380V/50HZ	116041	112
FCXGLG-1207C	1200*700*850+100	380V/50HZ	116041	133
FCXGLG-1207S	1200*700*850+100	380V/50HZ	116041	128



700/900 Series Electric or Gas Grill With Cabinet

- Full stainless steel constructed body
- 2 Independently controlled cooking zones
- Continuous heating regulation
- With removable oil gathering box



K1253-1



K1253-2



K1253-3



K1253-4

Model	Dimension (mm)	Griddle Size (mm)	Electrical (mm)	Gas Consumption (Btu/hr)	Net Weight (KG)
K1253-1	700*700*(850+60)	600*460*20	380V/50-60HZ/9KW	/	105
K1253-2	700*700*(850+60)	600*460*20	/	47782	90
K1253-3	800*900*(850+120)	/	380V/50-60HZ/12KW	/	130
K1253-4	800*900*(850+120)	700*580*16	/	122868	140



400/600 Series Electric/Gas Lava Rock Grill



K1264-1



K1264-2

- Full stainless steel constructed body
- Cast iron grilled board provides even heat distribution
- With backsplash and removable oil gathering box





K1272-1



K1272-2

Model	Dimension (mm)	Electrical (Btu/hr)	Gas Consumption (Btu/hr)	Net Weight (KG)
K1264-1	600*580*(300+75)	380V/50-60HZ/6KW	/	50
K1264-2	600*650*(370+150)	/	57338	55
K1272-1	400*665*485	380V/50-60HZ/8KW	/	60
K1272-2	400*665*485	/	36860	46



700/900 Series Electric or Gas 1/2-Tank Fryer With Cabinet  

- 1-tank 1 basket design
- Full stainless steel constructed body
- One-sided design to offer flexible combination of equipment and increase the utilization



F7035EFR F9040EFR F7035GFR F9040GFR

Model	Dimension (mm)	Electrical	Gas Consumption (Btu/hr)	Fry Basket Size (mm)	Oil Tank Capacity (L)	Net Weight (KG)
F7035EFR	350*700*(850+60)	380V/50-60HZ/12KW	/	280*110*130	16-18	45
F9040EFR	400*900*(850+120)	380V/50-60HZ/12KW	/	310*250*130	20-23	61
F7035GFR	350*700*(850+60)	/	37543	280*110*130	14-16	45
F9040GFR	400*900*(850+120)	/	52901	310*250*130	17-20	61



- Standard with stainless steel tank, front, sides and splashback
- Two mesh fry baskets with plastic coated, heat resistant handles
- Protection against overheating
- Full pot drain valve to eliminate clogs
- 100% safety shut-off

Model	Dimension (MM)	Electrical	Gas Consumption (Btu/hr)	Fry Basket Size (mm)	Oil Tank Capacity (L)	Net Weight (KG)
F7070EFR	700*700*850+60	380V/50-60HZ/24KW	/	280*110*130MM*2	(16L-18L)*2	66.5
F9080EFR	800*900*850+120	380V/50-60HZ/24KW	/	310*130*130MM*2	(20L-23L)*2	82
F7070GFR	700*700*850+60	/	75085	280*110*130MM*2	(14-16L)*2	90
F9080GFR	700*700*850+60	/	105802	320*130*130MM*2	(17-20L)*2	117



X Series Electric or Gas 2-Tank 2-Basket Fryer  



FCXEFR-0707 FCXEFR-0707C FCXEFR-0707S FCXGFR-0707 FCXGFR-0707C FCXGFR-0707S

Model	Dimension (mm)	Electrical	Gas Consumption (Btu/hr)	Oil Tank Capacity (L)	Temperature Range (°C)	Net Weight (KG)
FCXEFR-0707	700*700*500	220-240V/50-60HZ/6.5KW	/	11-14	50-190	31
FCXEFR-0707C	700*700*850+100	220-240V/50-60HZ/6.5KW	/	11-14	50-190	52
FCXEFR-0707S	700*700*850+100	220-240V/50-60HZ/6.5KW	/	11-14	50-190	43
FCXGFR-0707	700*700*500	/	34130	11-14	/	46.2
FCXGFR-0707C	700*700*850+100	/	34130	11-14	/	67.2
FCXGFR-0707S	700*700*850+100	/	34130	11-14	/	58.2

1/2-Tank Counter Top Electric Fryer

- Counter top model, convenient for moving
- Built-in heating elements in stainless steel
- With oil drainage tap (FSEFR-0304C, FSEFR-0604)
- Safe operation with the cover and plastic coated heat resistant handles



FSEFR-0204



FSEFR-0304A



FSEFR-0304B



FSEFR-0304C



FSEFR-0504A



FSEFR-0504B



FSEFR-0504C



FSEFR-0604

Model	Dimension (mm)	Electrical (mm)	Capacity (L)	Temperature Range (°C)	Gross Weight (KG)
FSEFR-0204	220*390*370	220V/50HZ/2KW	4	50-190	6
FSEFR-0304A	260*410*285	220V/50HZ/2.5KW	6	50-190	6.5
FSEFR-0304B	260*410*340	220V/50HZ/3.25KW	8	50-190	7
FSEFR-0304C	290*440*410	220V/50HZ/3.25KW	12	50-190	9
FSEFR-0504A	460*390*370	220V/50HZ/4KW	4L*2	50-190	11
FSEFR-0504B	540*410*285	220V/50HZ/5KW	6L*2	50-190	12
FSEFR-0504C	540*410*340	220V/50HZ/6.5KW	8L*2	50-190	13.5
FSEFR-0604	580*440*410	220V/50HZ/6.5KW	12L*2	50-190	16.5

1/2-Tank Counter Top Gas Fryer



FSGFR-0305



FSGFR-0605

- Safe operation with the cover and plastic coated heat resistant handles
- Cast iron burners, automatic burner ignition by means of an electromagnetic valve
- Meet the hygiene requirements

Model	Dimension (mm)	Gas Consumption (Btu/hr)	Capacity (L)	Pan	Gross Weight (KG)
FSGFR-0305	290*520*445	17748	6.45	1/2*150mm	13
FSGFR-0605	580*520*445	35495	6.45L*2	1/2*150mm *2	26

400/600/700/900 Series Electric or Gas 1/2-Tank Fryer With Cabinet



- Standard with stainless steel tank, front and sides
- With temperature limiter, protection against overheating



K1254-1

K1254-2

K1254-3

K1254-4

Model	Dimension (mm)	Electrical	Gas Consumption (Btu/hr)	Net Weight (KG)
K1254-1	700*700*(850+60)	380V/50-60HZ/24KW	/	85
K1254-2	700*700*(850+60)	/	81912	90
K1254-3	800*900*(850+120)	380V/50-60HZ/24KW	/	100
K1254-4	800*900*(850+120)	/	81912	100



K1265-1

K1265-2

K1273-1
(Without Cabinet)

K1273-2

- Counter top models, flexible combined with other equipment

Model	Dimension (mm)	Electrical	Gas Consumption (Btu/hr)	Basket Dimension (mm)	Tank Volume (L)	Net Weight (KG)
K1265-1	600*580*(300+75)	380V/50-60HZ/6.5KW	/	(190*250*100)*2	10L*2	30
K1265-2	600*650*(370+150)	/	34130	(190*250*100)*2	10L*2	38
K1273-1	400*665*485	380V/50-60HZ/8.5KW	/	/	/	36.5
K1273-2	400*665*485	/	19113	/	/	36.5

700/900 Series Electric or Gas 1-Tank 1-Basket Fryer With Cabinet



- 1-tank 1 basket design
- Full stainless steel constructed body
- One-sided design to offer flexible combination of equipment and increase the utilization





K1289-1

K1289-2

K1289-3

K1289-4

Model	Dimension (mm)	Electrical	Gas Consumption (Btu/hr)	Oil Tank Capacity (L)	Temperature Range (°C)	Net Weight (KG)
K1289-1	350*700*(850+60)	380-415V/50HZ/12KW	/	11-14	50~200	40
K1289-2	350*700*(850+60)	/	52902	/	/	40
K1289-3	400*900*(850+120)	380V/50-60HZ/12KW	/	20-23	/	55
K1289-4	400*900*(850+120)	/	52902	17-20	/	61

  700/900 Series Electric or Gas Pasta Cooker With Cabinet



F7070EPC



F9080EPC



F7070GPC



F9080GPC

- Full stainless steel constructed body
- 2 integral stretched water tanks
- Includes 6 rectangular baskets for ease of use
- Deep drawn safety rim to prevent foam from overflow
- With water filling tap, drain valve

Model	Dimension (mm)	Electrical	Gas Consumption (Btu/hr)	Pasta Basket Size (PCS)	Net Weight (KG)
F7070EPC	700*700*850+60	380V/50-60HZ/12KW	/	(130*260*120)* 6	69
F9080EPC	800*900*850+120	380V/50-60HZ/18KW	/	(130*260*120)* 6	84.5
F7070GPC	700*700*850+60	/	44369	(130*260*120)* 6	89.5
F9080GPC	800*900*850+120	/	51195	(130*260*120)* 6	99

  X Series Electric or Gas Pasta Cooker



FCXEPC-0707



FCXEPC-0707C



FCXEPC-0707S



FCXGPC-0707



FCXGPC-0707C



FCXGPC-0707S

Model	Dimension (mm)	Electrical	Gas Consumption (Btu/hr)	Temperature Range (°C)	Net Weight (KG)
FCXEPC-0707	700*700*500	380V/50-60HZ/6KW	/	30-110	25.1
FCXEPC-0707C	700*700*850+100	380V/50-60HZ/6KW	/	30-110	49
FCXEPC-0707S	700*700*850+100	380V/50-60HZ/6KW	/	30-110	40
FCXGPC-0707	700*700*500	/	25597	/	40
FCXGPC-0707C	700*700*850+100	/	25597	/	61
FCXGPC-0707S	700*700*850+100	/	25597	/	52

700/900 Series Electric or Gas Pasta Cooker With Cabinet



- Full stainless steel constructed body
- 2 integral stretched water tanks
- Includes 12 round baskets for ease of use
- Deep drawn safety rim to prevent foam from overflow
- With water filling tap, drain valve

Model	Dimension (mm)	Electrical	Gas Consumption (Btu/hr)	Net Weight (KG)
K1255-1	700*700*(850+60)	380V/50-60HZ/12KW	/	69
K1255-2	700*700*(850+60)	/	44369	78.5
K1255-3	800*900*(850+120)	380V/50-60HZ/18KW	/	101
K1255-4	800*900*(850+120)	/	95564	115

400/600 Series Electric or Gas Pasta Cooker



Model	Dimension (mm)	Power (KW)	Electrical	Gas Consumption (Btu/hr)	Net Weight (KG)	Temperature Range (°C)
K1266-1	600*580*(300+75)	6	380V/50-60HZ	/	30	/
K1266-2	600*650*(370+150)	8.4	/	28669	53	/
K1274-1	400*665*485	6	380V/50-60HZ/6KW	/	35	/
K1274-2	400*665*485	5	/	17065	36	/
K1290-1	350*700*(850+60)	6	380V/50-60HZ/6KW	/	40	30~110
K1290-2	350*700*(850+60)	7.5	/	25598	40	/

9 Baskets Free-standing Electric or Gas Pasta Cooker

- Pressed basin with large rounded edges completely made in stainless steel
- Includes 9 round baskets for ease of use, 3 independently basins
- 110 Degree Thermostat (K1368-1), protection against overheating
- Deep drawn safety rim to prevent foam from overflow



Model	Dimension (mm)	Electrical	Gas Consumption (Btu/hr)	Thickness (mm)	Net Weight (KG)
K1368-1	650*700*850	220-240V/50HZ/9.6KW	/	0.8~1.0	56.5
K1368-2	650*700*915	/	48465	0.8~1.0	61

700/900 Series Electric 4-Hot Plate Cooker With Oven



F7070EER



F9080EER

- 3 levels heat controls(F7070EER)
- 6 levels heat controls(F9080EER)
- With temperature limiter
- 6" stainless steel adjustable legs
- Standard oven base with one adjustable oven rack
- Excellent heat accumulation means exploitation of remaining heat and sturdy heat supply

Model	Dimension (mm)	Electrical	Temperature Range (°C)	Oven Inside Dimension (mm)	Oven Power (KW)	Net Weight (KG)
F7070EER	700*700*850+60	380V/50-60HZ/14KW	30~300	530*560*260	4.8	94.5
F9080EER	800*900*850+120	380V/50-60HZ/20.8KW	30~300	530*630*260	4.8	144

X Series Electric 4-Hot Plate Cooker

- Round plate, large heating surface
- Heating elements are hermetically sealed to the working top
- Excellent heat accumulation means sturdy heat supply
- Can be equipped with open cabinet or stand



FCXEER-0707



FCXEER-0707C



FCXEER-0707S

Model	Dimension (mm)	Electrical	Temperature Range (°C)	Oven Power (KW)	Net Weight (KG)
FCXEER-0707	700*700*500	380V/50-60HZ/9.2KW	100-400	4.8	35.3
FCXEER-0707C	700*700*850+100	380V/50-60HZ/9.2KW	100-400	4.8	56.3
FCXEER-0707S	700*700*850+100	380V/50-60HZ/9.2KW	100-400	4.8	47.3

Electric or Gas Pasta Cooker



K1256-1



K1256-2



K1256-3

- Full stainless steel constructed body
- 4 individually controlled 8" solid elements
- Standard oven base with one adjustable oven rack
- Excellent heat accumulation means sturdy heat supply

Model	Dimension (mm)	Electrical	Net Weight (KG)
K1256-1	700*700*(850+60)	380V/50-60HZ/10.4KW	85.5
K1256-2	700*700*(850+60)	380V/50-60HZ/15.2KW	94.5
K1256-3	800*900*(850+120)	380V/50-60HZ/20.8KW	138

700/900 Series Electric 6-Hot Plate Cooker With Oven and Cabinet ⚡



K1257-1



K1257-2



K1257-3

- Full stainless steel constructed body
- 6 individually controlled 8" solid elements
- Standard oven base with one adjustable oven rack
- Excellent heat accumulation means sturdy heat supply

Model	Dimension (mm)	Electrical	Net Weight (KG)
K1257-1	1050*700*(850+60)	380V/50-60HZ/20.4KW	154.5
K1257-2	1200*900*(850+120)	380V/50-60HZ/28.8KW	235.5
K1257-3	1200*900*(850+120)	380V/50-60HZ/24KW	230.5

900 Series French Style Gas Iron Hot-Plate Cooker With Cabinet 🔥

- Full stainless steel constructed body
- Smooth heating surface is easy to clean

400/600 Series Electric Hot Plate Cooker ⚡

- Easy-to-clean solid burners
- Excellent heat accumulation means sturdy heat supply



K1261



K1269



K1277

Model	Dimension (mm)	Plate Dimension (mm)	Electrical	Gas Consumption (Btu/hr)	Net Weight (KG)
K1261	800*900*(850+120)	/	/	34130	120
K1269	600*580*(300+75)	Φ225	380V/50-60HZ/8KW	/	28
K1277	400*665*485	/	380V/50-60HZ/5KW	100-400	30.5



700/900 Series Electric Bain Marie With Cabinet



F7070EBM



F9080EBM

- Stainless steel top, basin and cover, rustproof
- Heating quickly, excellent thermal insulation
- Stainless steel heating elements positioned out of the basin

Model	Dimension (mm)	Electrical	Temperature Range (°C)	Pans	Capacity (L)	Net Weight (KG)
F7070EBM	700*700*850+60	380V/50-60HZ/4KW	30~85	1/4*5PCS	3L*5	57.5
F9080EBM	800*900*850+120	380V/50-60HZ/5KW	30~85	1/2*2PCS,1/4*4PCS	6L*2+3L*4	76.5



X Series Electric or Gas Bain Marie



FCXEbm-0707



FCXEbm-0707C



FCXEbm-0707S



FCXGBM-0707



FCXGBM-0707C



FCXGBM-0707S

Model	Dimension (mm)	Electrical	Gas Consumption (Btu/hr)	Temperature Range (°C)	Net Weight (KG)
FCXEbm-0707	700*700*500	220-240V/50-60HZ/2KW	/	30-85	28
FCXEbm-0707C	700*700*850+100	220-240V/50-60HZ/2KW	/	30-85	46.1
FCXEbm-0707S	700*700*850+100	220-240V/50-60HZ/2KW	/	30-85	37.1
FCXGBM-0707	700*700*500	/	17406	/	31.5
FCXGBM-0707C	700*700*850+100	/	17406	/	52.5
FCXGBM-0707S	700*700*850+100	/	17406	/	43.5

700/900 Series Electric or Gas Bain Marie With Cabinet



K1258-1



K1258-2



K1258-3



K1258-4

Model	Dimension (mm)	Electrical	Gas Consumption (Btu/hr)	Net Weight (KG)
K1258-1	700*700*(850+60)	380V/50-60HZ/5KW	/	57.5
K1258-2	700*700*(850+60)	/	22185	135.5
K1258-3	800*900*(850+120)	380V/50-60HZ/5KW	/	90
K1258-4	800*900*(850+120)	/	53243	95

600 Series Electric Countertop Bain Marie ⚡
400 Series Electric or Gas Countertop Bain Marie 🔥 ⚡



K1270



(Without Cabinet)
K1275-1



K1275-2

- Stainless steel top, basin and cover, rustproof
- Heating quickly, excellent thermal insulation
- Full pot drain valve to eliminate clogs

Model	Dimension (mm)	Electrical	Gas Consumption (Btu/hr)	Net Weight (KG)
K1270	600*580*(300+75)	380V/50-60HZ/1.8KW	/	26
K1275-1	400*665*485	380V/50-60HZ/0.75KW	/	30.5
K1275-2	400*665*485	/	17065	26

X Series Open Cabinet/Stand



X Series Open Cabinet



X Series Stand

- Cupboard bases with solid structure comprised of stainless steel panels
- Stands in stainless steel square tubular elements
- Available in 700/1050/1200mm versions
- Quick fit connections for 7X series countertop machines

Model	Dimension (mm)	Material	Net Weight (KG)
FCXOC-0706	700*590*490	Stainless Steel 304	21
FCXOC-1106	1050*590*490	Stainless Steel 304	26
FCXOC-1206	1200*590*490	Stainless Steel 304	29
FCXSD-0706	700*590*490	Stainless Steel 304	12
FCXSD-1106	1050*590*490	Stainless Steel 304	14
FCXSD-1206	1200*590*490	Stainless Steel 304	16

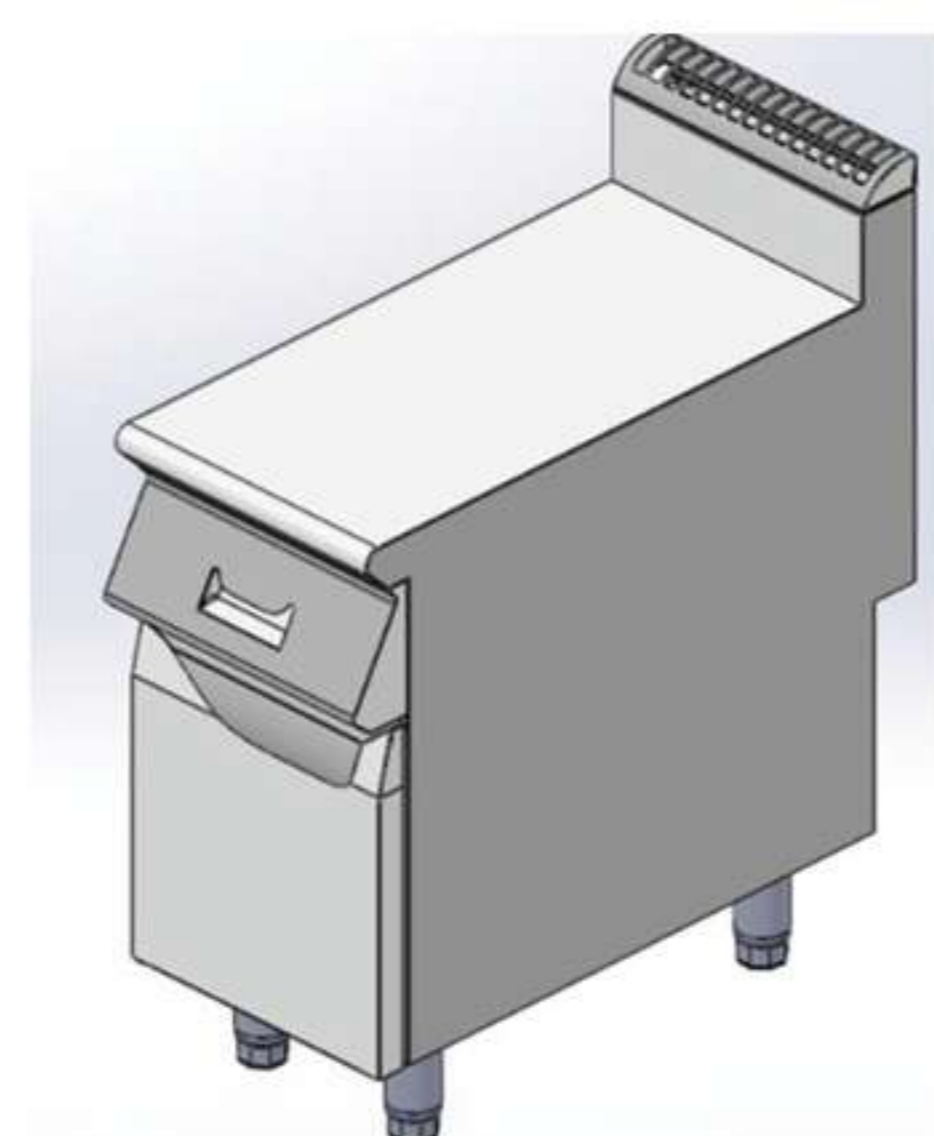
700/900 Series Work Table With Sink & Drawer & Cabinet



F7035NNE



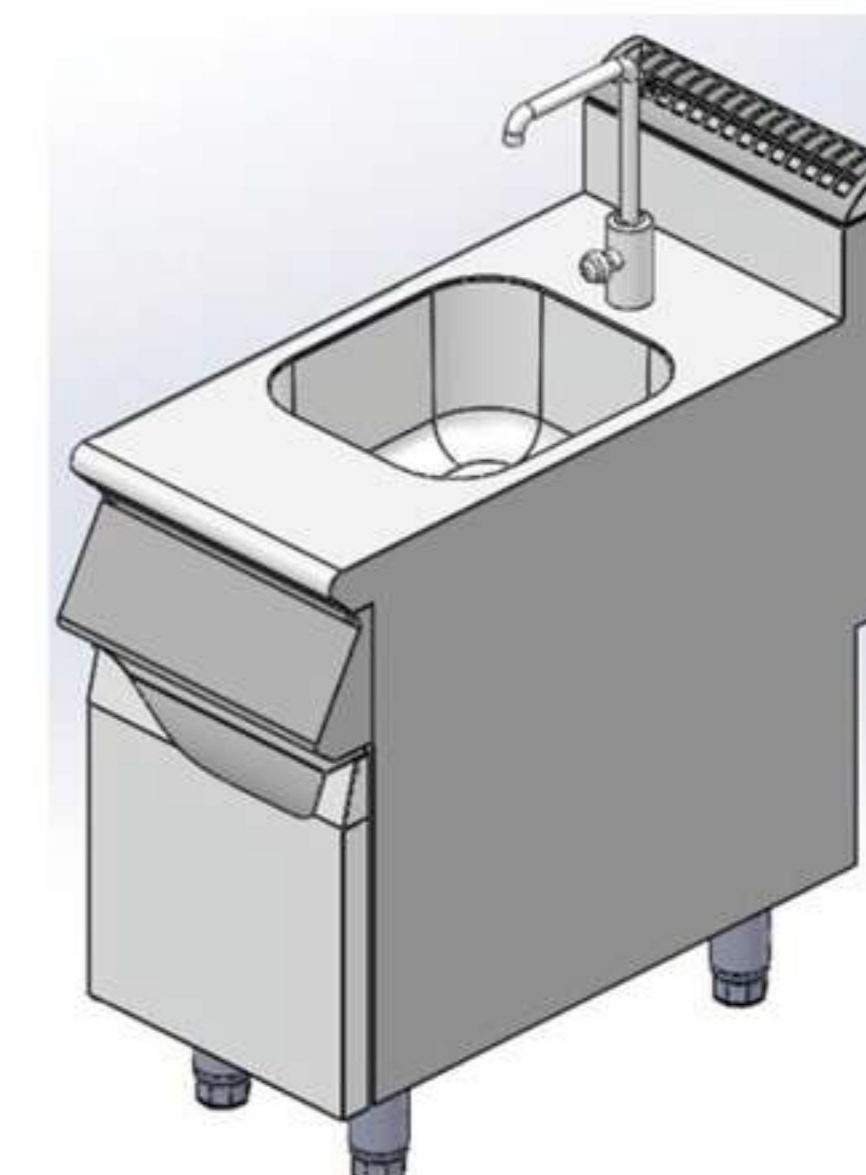
F9040NNE



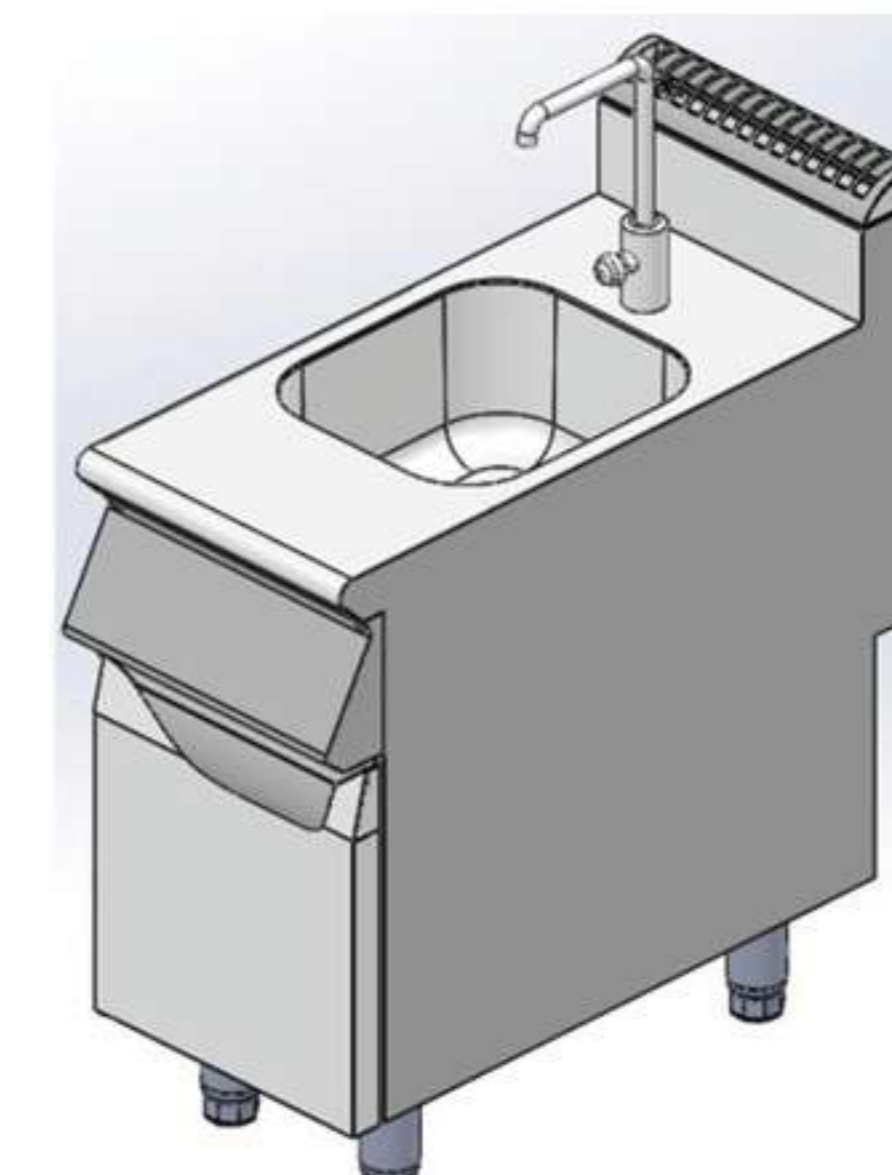
F7035NDN



F9040NDN



F7035NSN



F9040NSN

Model	Dimension (mm)	Countertop Material	Net Weight (KG)
F7035NNE	350*700*850+60	Stainless Steel304,2.0	32.5
F9040NNE	400*900*850+120	Stainless Steel304,2.0	42

*High huality adjustable feet

*Europe style design.

Model	Dimension (mm)	Net Weight (KG)
F7035NDN	350*700*850+60	38
F9040NDN	400*900*850+120	42
F7035NSN	350*700*850+60	38
F9040NSN	400*900*850+120	42

700/900 Neutral Cabinet



K1260-1



K1260-2

- Easy-to-clean stainless steel construction
- Cupboard bases with solid structure comprised of stainless steel panels
- Easily connects with 700 or 900 series machines to provide more work space

Model	Dimension (mm)	Net Weight (KG)
K1260-1	350*700*(850+60)	32.5
K1260-2	400*900*(850+120)	42

400 Series Neutral Cabinet

- Cupboard with solid structure comprised of stainless steel panels
- Quick fit connections for 400 series countertop machines



K1279

Model	Dimension (mm)	Net Weight (KG)
K1279	400*545*560	28.5

X Series Open Cabinet/Stand



X Series Open Cabinet



X Series Stand

- Cupboard bases with solid structure comprised of stainless steel panels
- Stands in stainless steel square tubular elements
- Available in 700/1050/1200mm versions
- Quick fit connections for 7X series countertop machines

Model	Dimension (mm)	Material	Net Weight (KG)
FCXOC-0706	700*590*490	Stainless Steel 304	21
FCXOC-1106	1050*590*490	Stainless Steel 304	26
FCXOC-1206	1200*590*490	Stainless Steel 304	29
FCXSD-0706	700*590*490	Stainless Steel 304	12
FCXSD-1106	1050*590*490	Stainless Steel 304	14
FCXSD-1206	1200*590*490	Stainless Steel 304	16

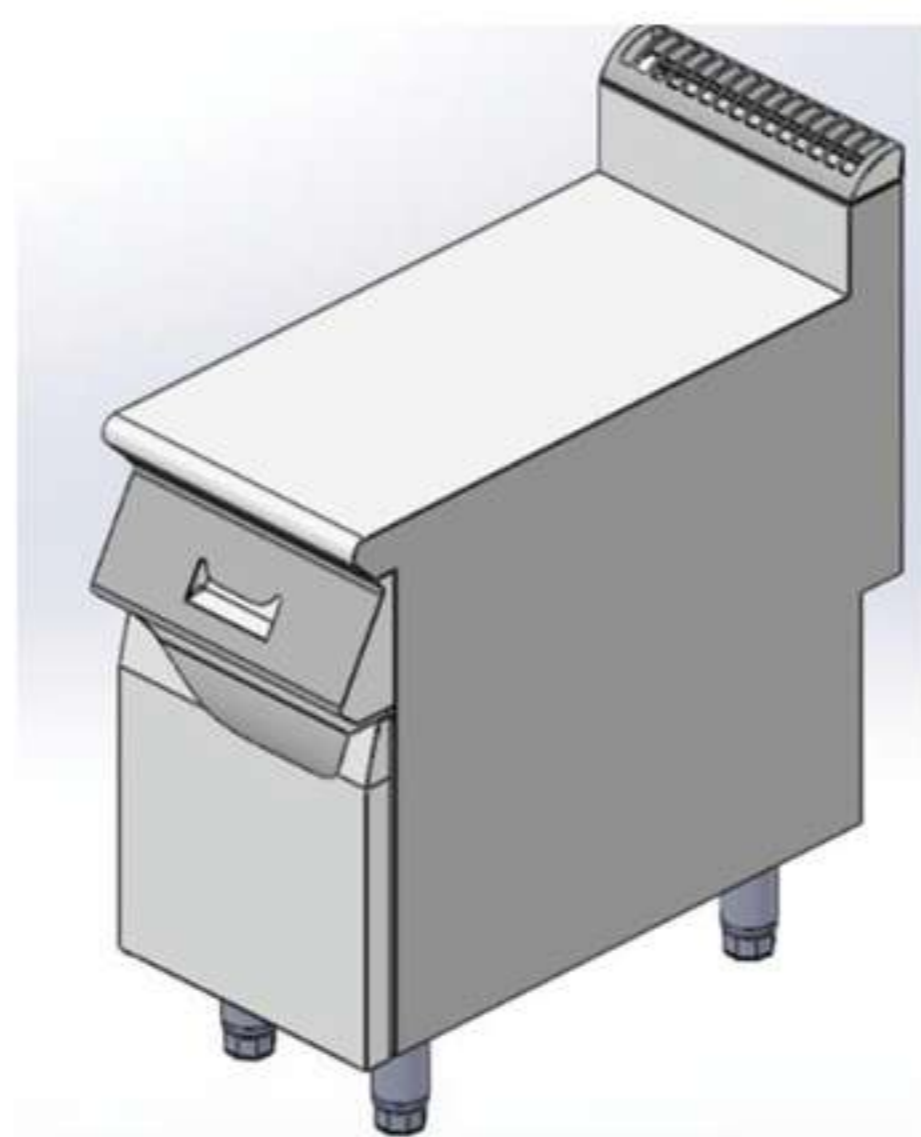
700/900 Series Work Table With Sink & Drawer & Cabinet



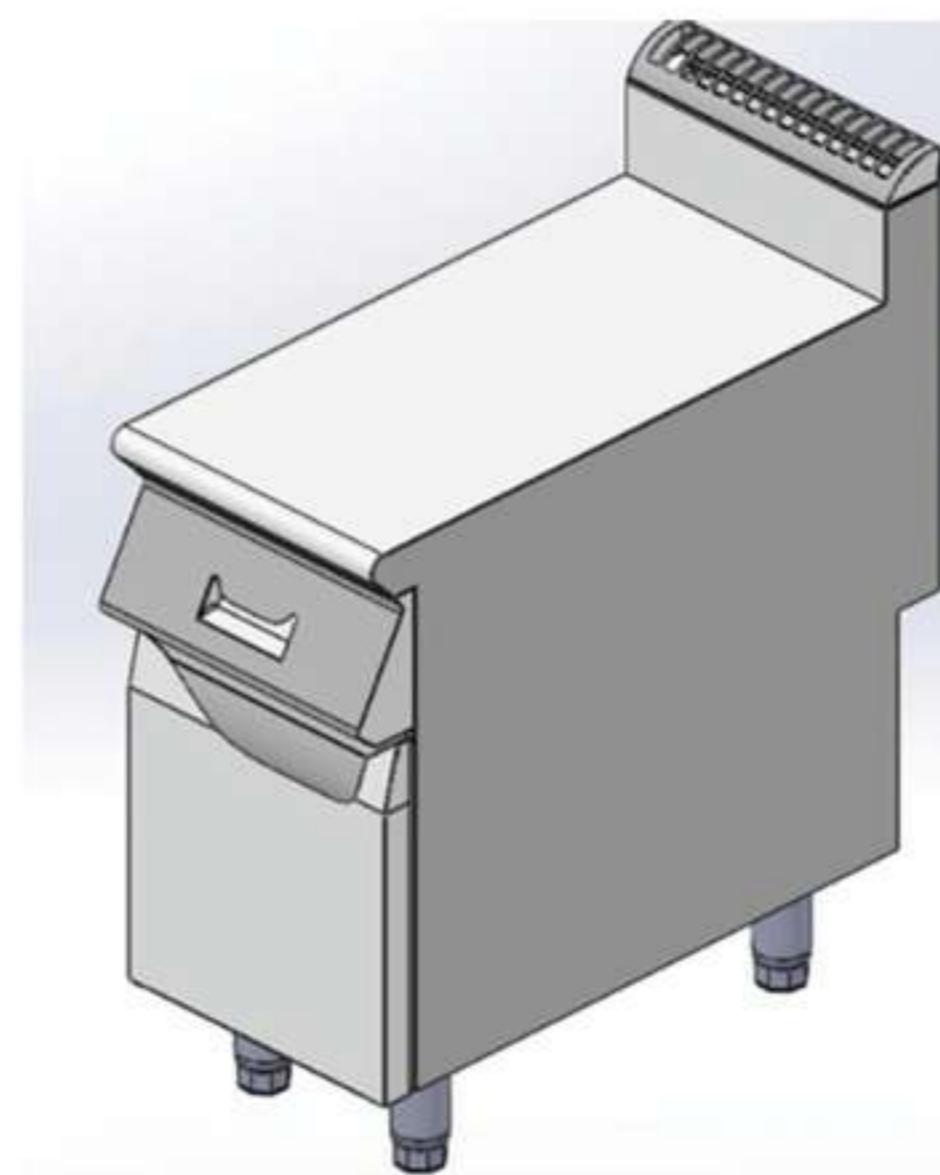
F7035NNE



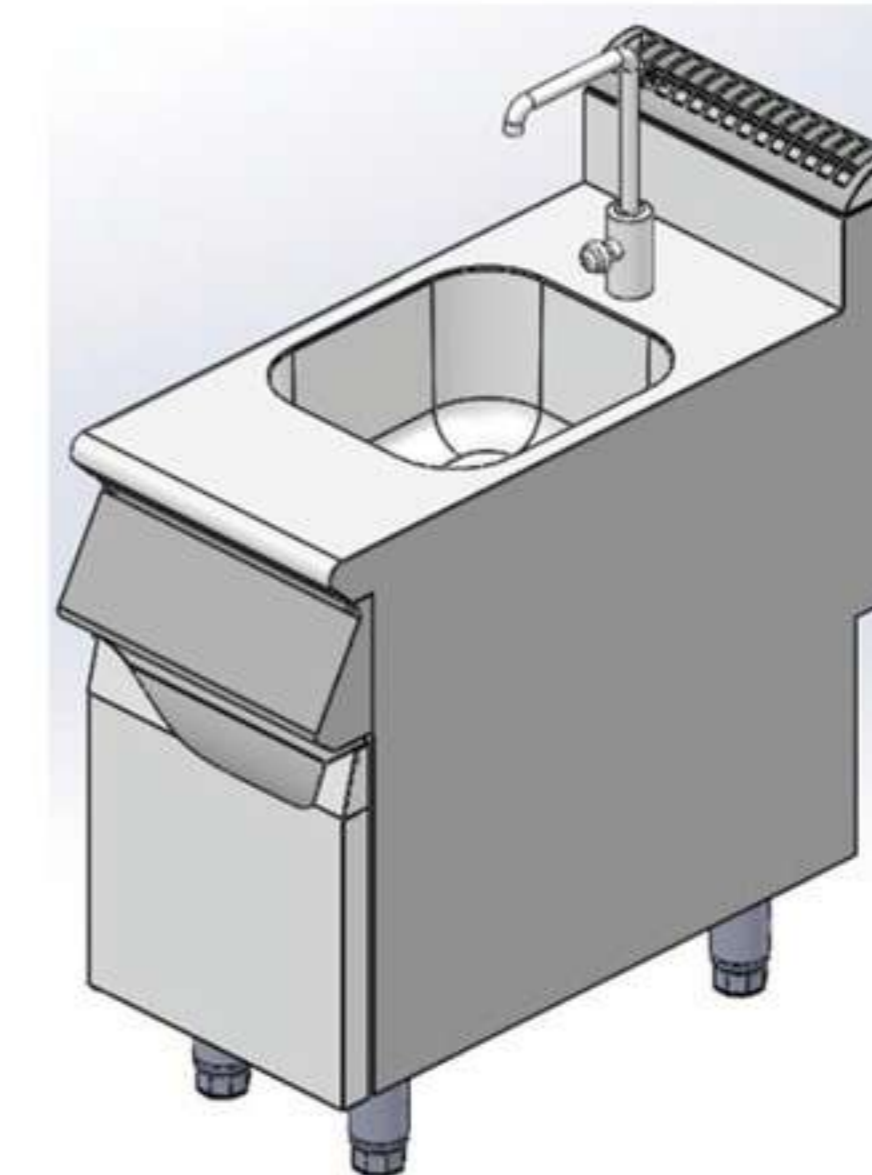
F9040NNE



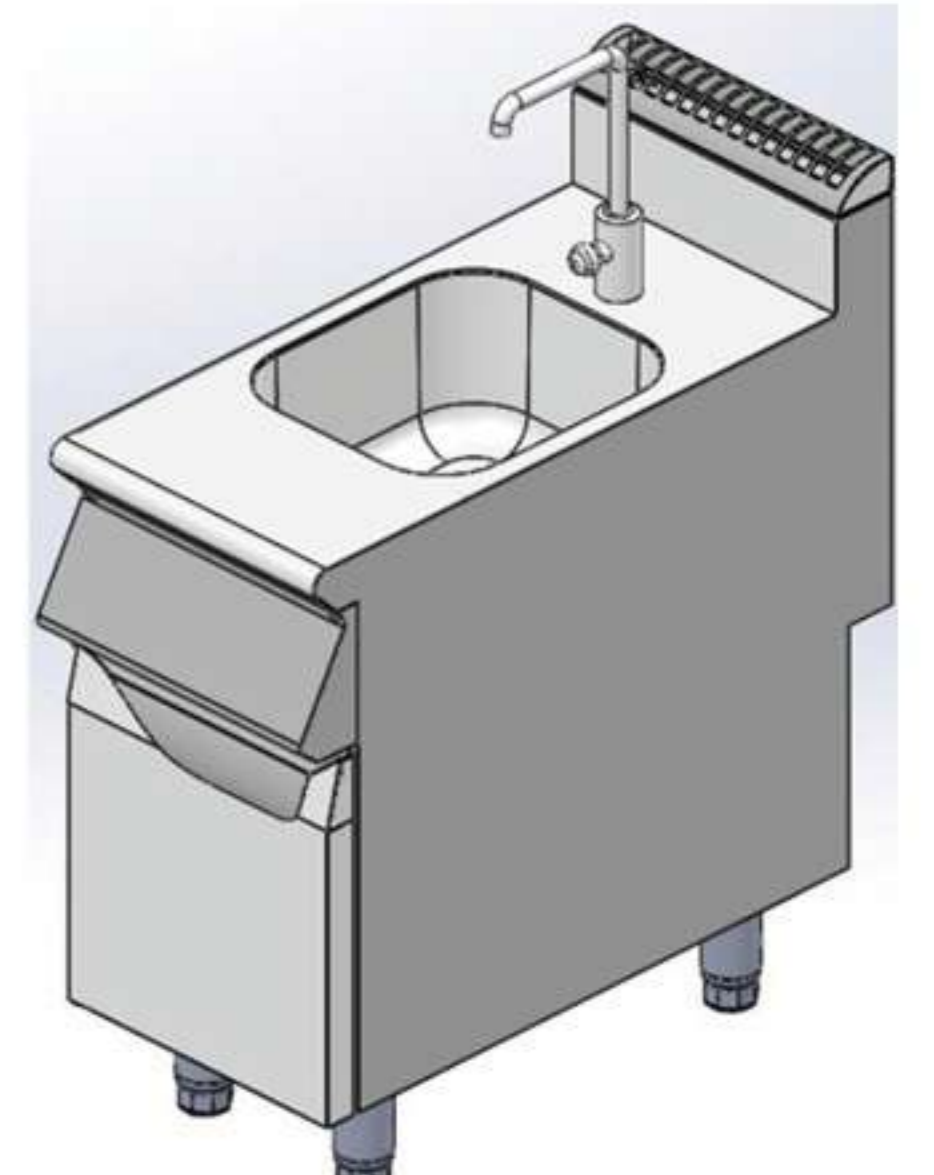
F7035NDN



F9040NDN



F7035NSN



F9040NSN

Model	Dimension (mm)	Countertop Material	Net Weight (KG)
F7035NNE	350*700*850+60	Stainless Steel304,2.0	32.5
F9040NNE	400*900*850+120	Stainless Steel304,2.0	42

*High huality adjustable feet

*Europe style design.

Model	Dimension (mm)	Net Weight (KG)
F7035NDN	350*700*850+60	38
F9040NDN	400*900*850+120	42
F7035NSN	350*700*850+60	38
F9040NSN	400*900*850+120	42



Electric or Gas Indirect Boiling Pan



F9080EBP



F9080GBP

- Designated for preparation of broth, and for boiling water
- Big diameter tap to discharge the ready made product
- Stop heating automatically when no water in the jacket
- Safety valve, low water light, and low water shut off for safety
- Direct immersion thermostat and manual controls
- 30-110°C Temperature control range of bowl(F9080EBP)

Model	Dimension (mm)	Electrical	Gas Consumption (Btu/hr)	Capacity (L)
F9080EBP	800*900*850+120	80V/50-60HZ/18KW	/	130
F9080GBP	800*900*850+120	/	68259	130



Electric Indirect Boiling Pan



- Designated for preparation of broth, and for boiling water
- Heating power is regulated by 4 position rotary switch
- Big diameter tap to discharge the ready made product
- Stop heating automatically when no water in the jacket
- Steam set to be applied together with an indirect boiling pan
- The lid can be fixed in any position



FCEBP-0810

Model	Dimension (mm)	Electrical	Capacity (L)	Bowl Diameter (mm)	Weight Weight (KG)
FCEBP-0810	840*1000*(860)1030	230-400V/12KW	160	652	127

Gas Swing Boiling Pan



K1334-1



K1334-2

- Designated for preparation of broth, and for boiling water
- 100/150L large capacity
- Automatic ignition system
- Manual hand wheel tilting mechanism

Model	Dimension (mm)	Gas Consumption (Btu/hr)	Capacity (L)	Thickness (mm)	Net Weight (KG)
K1334-1	1040*800*1100	54608	100	3	110
K1334-2	1140*800*1100	68260	150	3	120

 900 Series Chinese Wok With Cabinet



F9080GWO

- Big size open burner
- Durable stainless steel body
- Strong and stable flame, suitable for cooking Chinese food and Southeast Asian cuisines

Model	Dimension (mm)	Gas Consumption (Btu/hr)	Net Weight (KG)
F9080GWO	800*900*850+120	53925	99



Cast Iron Countertop Frying Stove
Cast Iron Countertop Boiler

- Big size open burner
- Durable stainless steel body, easy clean
- Strong and stable flame, suitable for cooking Chinese food and Southeast Asian cuisines
- Includes swing faucet(K1393-1)



K1393-1



K1393-2

Model	Dimension (mm)	Gas Type	NG Pressure (pa)	LPG Pressure (pa)	*
K1393-1	500*500*350	NG/LPG	2800	2000	Solid Cast Iron
K1393-2	500*500*350	NG/LPG	2800	2000	Solid Cast Iron



Electric or Gas Indirect Boiling Pan



F9080EBP



F9080GBP

- Designated for preparation of broth, and for boiling water
- Big diameter tap to discharge the ready made product
- Stop heating automatically when no water in the jacket
- Safety valve, low water light, and low water shut off for safety
- Direct immersion thermostat and manual controls
- 30-110°C Temperature control range of bowl(F9080EBP)

Model	Dimension (mm)	Electrical	Gas Consumption (Btu/hr)	Capacity (L)
F9080EBP	800*900*850+120	80V/50-60HZ/18KW	/	130
F9080GBP	800*900*850+120	/	68259	130



Electric Indirect Boiling Pan



- Designated for preparation of broth, and for boiling water
- Heating power is regulated by 4 position rotary switch
- Big diameter tap to discharge the ready made product
- Stop heating automatically when no water in the jacket
- Steam set to be applied together with an indirect boiling pan
- The lid can be fixed in any position



FCEBP-0810

Model	Dimension (mm)	Electrical	Capacity (L)	Bowl Diameter (mm)	Weight Weight (KG)
FCEBP-0810	840*1000*(860)1030	230-400V/12KW	160	652	127

Gas Swing Boiling Pan



K1334-1



K1334-2

- Designated for preparation of broth, and for boiling water
- 100/150L large capacity
- Automatic ignition system
- Manual hand wheel tilting mechanism

Model	Dimension (mm)	Gas Consumption (Btu/hr)	Capacity (L)	Thickness (mm)	Net Weight (KG)
K1334-1	1040*800*1100	54608	100	3	110
K1334-2	1140*800*1100	68260	150	3	120

 Energy Saving 2 Doors Electric Steamer



K651



K653

- Holds 16/20/24/32/40/48 deep full size food pans
- Excellent thermal insulation, keep foods warm for 5 hours
- U shape high performance heating elements
- Automatic water level control system
- Dry burning prevention function
- With dual controller
- Rice cooking time: 50-min

Model	Dimension (mm)	Capacity (KG)	Tray Number	Power (kW)	Power Consumption (kW/h)	Steam Input Pressure (Mpa)
K651-1	1445*625*1135	60-80(300-400 people)	16	18	13.5	0.02
K651-2	1445*625*1290	80-100(400-500 people)	20	24	13.5	0.02
K651-3	1445*625*1450	100-120(500-600 people)	24	24	18	0.02
K651-4	1445*1015*1120	120-160(600-800 people)	32	36	25	0.02
K651-5	1445*1015*1280	160-200(800-1000 people)	40	36	25	0.02
K651-6	1445*1015*1445	200-240(1000-1200 people)	48	36	30	0.02
K653-1	1445*610*1245	60-80(300-400 people)	16	18	13.5	0.02
K653-2	1445*610*1395	80-100(400-500 people)	20	24	13.5	0.02
K653-3	1445*610*1560	100-120(500-600 people)	24	24	18	0.02
K653-4	1445*1010*1245	120-160(600-800 people)	32	36	25	0.02
K653-5	1445*1010*1395	160-200(800-1000 people)	40	36	25	0.02
K653-6	1445*1010*1560	200-400(1000-1200 people)	48	36	30	0.02

 Energy-Saving 1/2-Door Gas Steamer

- Holds 6/8/10/12/20/24/40/48 deep full size food pans
- Excellent thermal insulation, keep foods warm for 5 hours
- U shape high performance heating elements
- Automatic water level control system
- Dry burning prevention function



K657-1
K657-2
K657-3
K657-4



K657-5
K657-6
K657-7
K657-8

Model	Dimension (mm)	Capacity (kg)	Rice Cooking Time (min)	Tray Number	Gas Pressure (pa)
K657-1	710*645*1180	20-30(120-150 people)	40	6	2000
K657-2	710*645*1340	30-40(150-200 people)	40	8	2000
K657-3	710*645*1495	40-50(200-250 people)	45	10	2000
K657-4	710*645*1665	50-60(250-300 people)	45	12	2000
K657-5	1425*645*1495	80-100(400-500 people)	50	20	2000
K657-6	1425*645*1665	100-120(500-600 people)	50	24	2000
K657-7	1425*1100*1495	150-200(800-1000 people)	50	40	2000
K657-8	1425*1100*1665	200-240(1000-1200 people)	50	48	2000

Gas 1/2 Burners Stock Pot Range



K1330



K1331



- Burner Size:14"
- Strong and stable flame
- Heavy duty cast iron top grates
- Durable stainless steel body, easy clean

Model	Dimension (mm)	Gas Consumption (Btu/hr)	Burner Size
K1330	600*760*500+200	81912	14
K1331	1200*760*500+200	163824	14

Gas Wok Stove With 1-Burner And 1-Warmer
Gas Wok Stove With 2-Burner And 2-Warmer



K1338-1



K1338-2

- Environmental Pre-mix Burner
- With air blower, complete combustion ensures high heat efficiency
- One-press design for air blower, flame system and ignition
- Electromagnetic valve for flame failure device
- Includes swing faucet

Model	Dimension (mm)	Gas Consumption (Btu/hr)	*Air Blower Voltage (V/HZ)
K1338-1	1200*1250*810+440	143346	220V/50HZ
K1338-2	2200*1250*810+440	286692	220V/50HZ

Gas Steamer With 1-Burner
Gas Steamer With 2-Burner



K1339-1



K1339-2



- Material: Stainless Steel 304
- Environmental Pre-mix Burner
- Electromagnetic valve for flame failure device
- Flue-tube independent fire jet design burner
- One-press design for air blower, flame system and ignition

Model	Dimension (mm)	Gas Consumption (Btu/hr)	Voltage (V/HZ)
K1339-1	900*1050*810+440	143346	220V/50HZ
K1339-2	1500*1050*810+440	191128	220V/50HZ



Gas Wok Stove With 1/2 Burners



- Material: Stainless Steel 304
- Environmental Pre-mix Burner
- One-press design for air blower, flame system and ignition
- Electromagnetic valve for flame failure device
- Smooth surface is easy to clean
- Includes swing faucet



K1340-1



K1340-1

Model	Dimension (mm)	Gas Consumption (Btu/hr)	Voltage (V/Hz)
K1340-1	760*900*810+440	109216	220V/50HZ
K1340-2	1500*900*810+440	218432	220V/50HZ



- Gas Wok Stove With 1-Burner
- Gas Steamed Rice Roll Steamer With 1-Burner
- Gas Boiling Pan
- Gas Wok Stove With 2-Burner And 2-Warmer(Open)



K1341



K1342



K1343



K1344

- Material: Stainless Steel 304
- Environmental Pre-mix Burner
- One-press design for air blower, flame system and ignition
- Electromagnetic valve for flame failure device

- Complete combustion ensures high heat efficiency
- Smooth surface is easy to clean
- Includes swing faucet
- Low noise

Model	Dimension (mm)	Gas Consumption (Btu/hr)	Voltage (V/Hz)
K1341	1200*1250*810+440	163824	220V/50HZ
K1342	900*1050*810+440	143346	220V/50HZ
K1343	1400*1250*810+440	163824	220V/50HZ
K1344	2200*1050*810+440	163824	220V/50HZ

4/6 Burners Gas Range With Stand 



K1345-1





K1345-2



- 4/6 open burners with heavy-duty cast iron top grates
- Durable stainless steel sides, control panel, and backsplash
- Individual pilot and control for each burner
- Full-width pull out crumb tray
- Adjustable legs

Model	Dimension (mm)	Gas Consumption (Btu/hr)	Voltage (V/Hz)
K1345-1	900*900*810+440	95564	220V/50HZ
K1345-2	1200*900*810+440	143346	220V/50HZ

900/1400 Wok Stove With 1-Burner And 1-Warmer
1800 Wok Stove With 2-Burner And 1-Warmer 




K1382-1





K1382-2



K1382-3

- Foaming table top, effective heat insulation
- Combustion chamber made of firebrick/whole cast iron
- Equipped with ignition device, mechanical air valve, simple operation
- ncludes swing faucet

Model	Dimension (mm)	Gas Type	NG Pressure (pa)	LPG Pressure (pa)
K1382-1	1000*900*800*270+80	NG/LPG	2800	2000
K1382-2	1500*900*800+270*80	NG/LPG	2800	2000
K1382-3	1800*900*800+270*80	NG/LPG	2800	2000

900 / 1400 / 1800 Wok Stove With 1-Burner And1-Warmer 
1800 Wok Stove With 2-Burner And1-Warmer 



K1385-1



K1385-2



K1385-3

- Foaming table top, effective heat insulation
- Combustion chamber made of firebrick/whole cast iron
- Equipped with ignition device, mechanical air valve, simple operation
- Includes swing faucet

Model	Dimension (mm)	Gas Type	NG Pressure (pa)	LPG Pressure (pa)
K1385-1	900*840*800+270	NG/LPG	2800	2000
K1385-2	1400*840*800+270+80	NG/LPG	2800	2000
K1385-3	1800*840*800+270*80	NG/LPG	2800	2000



Wok Stove With 2-Burner And 2-Warmer
 Wok Stove With 2-Burner And 1-Warmer
 Wok Stove With 1-Burner And 1-Warmer



K1388-1



K1388-2



K1388-3

- Combustion chamber made of firebrick
- Foaming table top, effective heat insulation
- Equipped with ignition device, mechanical air valve, simple operation
- Includes swing faucet

Model	Dimension (mm)	Gas Type	NG Pressure (pa)	LPG Pressure (pa)
K1388-1	2000*1000*800+350*80	NG/LPG	2800	2000
K1388-2	1800*1000*800+350*80	NG/LPG	2800	2000
K1388-3	1200*1000*800+350*80	NG/LPG	2800	2000



4/6 Burners Gas Range With Stand



K1391-1



K1391-2



- 4/6 open burners with heavy-duty cast iron top grates
- Durable stainless steel sides, control panel, and backsplash
- Individual pilot and control for each burner
- Adjustable legs

Model	Dimension (mm)	Gas Type	NG Pressure (pa)	LPG Pressure (pa)
K1391-1	600*750*800*100+60	NG/LPG	2800	2000
K1391-2	900*750*800*100+60	NG/LPG	2800	2000



Wok Stove With 1-Burner And 1-Warmer
 Wok Stove With 2-Burner And 1-Warmer
 Wok Stove With 2-Burner And 2-Warmer



K1395-1



K1395-2



K1395-3

- Combustion chamber made of firebrick
- Foaming table top, effective heat insulation
- Equipped with ignition device, mechanical air valve, simple operation
- Includes swing faucet

Model	Dimension (mm)	Gas Consumption (Btu/hr)	Gross Weight (KG)
K1395-1	1200*1000*800+350*100	129694	185
K1395-2	1800*1000*800+350*100	129694	307
K1395-3	2000*1000*800+350*100	129694	300

Wok Stove With 1-Burner 



K1398-1



K1398-2



- Full stainless steel constructed body
- Big size fixed cast iron wok
- Includes swing faucet
- Strong and stable flame
- Suitable for cooking Chinese food and Southeast Asian cuisines

Model	Dimension (mm)	Thickness (mm)	Iron Fan Power (W)	Gas Consumption (Btu/hr)	Gross Weight (KG)
K1398-1	1100*1150*800+350*100	80	550	163824	235
K1398-2	1300*1300*800+350*10	80	550	177476	292

Wok Stove With 2-Burner And 1-Warmer 

Wok Stove With 2-Burner 



K1400-1



K1400-2

- Full stainless steel constructed body
- Big size fixed cast iron wok
- Includes 2 swing faucets
- Strong and stable flame
- Suitable for cooking Chinese food and Southeast Asian cuisines

Model	Dimension (mm)	Gas Consumption (Btu/hr)	Gross Weight (KG)
K1400-1	2100*1150*800+350*100	129694	405
K1400-2	2100*1150*800+350*100	163824	430

Wok Stove With 1-Burner And 1-Warmer 

Wok Stove With 2-Burner And 1-Warmer 

Wok Stove With 2-Burner And 2-Warmer 



K1402-1



K1402-2



K1402-3

- Combustion chamber made of firebrick
- Foaming table top, effective heat insulation
- Equipped with ignition device, mechanical air valve, simple operation
- Includes swing faucet

Model	Dimension (mm)	Gas Consumption (Btu/hr)	Net Weight (KG)
K1402-1	1200*1000*800+350*100	/	/
K1402-2	1800*1000*800+350*100	143346	307
K1402-3	2000*1000*800+350*100	143346	330

 Wok Stove With 1-Burner



K1405-1



K1405-2



- Full stainless steel constructed body
- Big size fixed cast iron wok
- Includes swing faucet
- Strong and stable flame
- Suitable for cooking Chinese food and Southeast Asian cuisines

Model	Dimension (mm)	Thickness (mm)	Iron Fan Power (W)	Gross Weight (KG)
K1405-1	1100*1150*800+350*100	80	250	230
K1405-2	1300*1300*800+350*100	80	550	290



Wok Stove With 2-Burner And 1-Warmer
Wok Stove With 2-Burner



K1407-1



K1407-2



- Full stainless steel constructed body
- Big size fixed cast iron wok
- Includes swing faucets
- Strong and stable flame
- Suitable for cooking Chinese food and Southeast Asian cuisines

Model	Dimension (mm)	Gas Type	NG Pressure (pa)	LPG Pressure (pa)
K1407-1	2100*1150*800+350*100	NG/LPG	2800	2000
K1407-2	2100*1150*800+350*100	NG/LPG	2800	2000



0.7m / 1m Asian Type Gas Griddle



FCGAG-0707





FCGAG-1007



- Assembling type, free-standing
- 4 independently controlled cooking areas
- With splash board, non-sticking grease
- High-quality copper valves, good airtightness
- Air volume adjustable

Model	Dimension (mm)	Material	Gas Type	LPG Pressure (pa)	NG Pressure (pa)
FCGAG-0707	700*650*800	Stainless Steel 201	LPG/NG	2800	2000
FCGAG-1007	1000*650*800	Stainless Steel 201	LPG/NG	2800	2000

2 Burners Gas Range With Under Shelf & Splashback & Faucet 
 2 Burners Gas Range With Under Shelf 



FCGBR-1006A



FCGBR-1006B



- Assembling type, free-standing
- Air volume adjustable
- High-quality copper valves, good airtightness
- Simple design and brushed finish, easy to clean

Model	Dimension (mm)	Gas Type	LPG Pressure (pa)	Material
FCGBR-1006A	1000*(600+130)*800	LPG/NG	2800	Stainless Steel 201
FCGBR-1006B	1000*(600+130)*800	LPG/NG	2800	Stainless Steel 201

Gas 2 Burners Stock Pot Range 



FCGST-1206B

- Strong and stable flame
- Air volume adjustable
- Heavy duty cast iron top grates
- High-quality copper valves, good airtightness

Model	Dimension (mm)	Gas Typ	LPG Pressure (pa)	NG Pressure (pa)
FCGST-1206B	1200*600+130*450	LPG/NG	2800	2000

6/7 Burners Gas Range With Under Shelf 



FCGWS-1206A



FCGWS-1206B

- Assembling type, free-standing
- Air volume adjustable
- High-quality copper valves, good airtightness
- FCGWS-1206A: 1 big and 6 small burners
- FCGWS-1206B: 6 burners, flat pot support

Model	Dimension (mm)	Gas Type	Pressure (pa)	Material
FCGWS-1206A	1200*600+130*800	LPG/NG	2800PA	STAINLESS STEEL 201
FCGWS-1206B	1200*600+130*800	LPG/NG	2800PA	STAINLESS STEEL 201

7/ 9/13 Skewers Brazilian Charcoal Barbecue Grill



K803-1

K803-2

K803-3



- Durable stainless steel body, heavy duty use
- Skewers rotate automatically driven by chains
- With exhaust hood and crumb tray
- Features castors for increased mobility
- The skewers are distributed staggered on adjacent layers

Model	Dimension (mm)	Skewers Length (mm)	Load bearing (KG)
K803-1	1000*800*1750	580	5
K803-2	1200*800*1750	580	5
K803-3	1600*800*1750	580	5



7/ 9/13 Skewers Gas Brazilian Barbecue Grill



K804-1

K804-2

K804-3



- Durable stainless steel body, heavy duty use
- Skewers rotate automatically driven by chains
- With exhaust hood and crumb tray
- Features castors for increased mobility
- The skewers are distributed staggered on adjacent layers

Model	Dimension (mm)	Skewers Length (mm)	Load bearing (KG)
K804-1	1000*800*1750	580	5
K804-2	1200*800*1750	580	5
K804-3	1600*800*1750	580	5



Electric Anthracitic BBQ Grill





K1353

K1354



- Countertop design, anthracitic BBQ grill
- Two layers gridirons, heating elements in the middle
- Adjustable grate height for better cooking

Model	Dimension (mm)	Net Weight (KG)	Voltage (V/HZ/KW)	Cooking Area Size (MM)	Thickness (MM)
K1353	560*410*260	9.5	220V/50HZ/2.7KW	460*320MM	0.6~1.0MM
K1354	1060*390*260	17	220V/50HZ/5.5KW	460*360MM	0.6~1.0MM

2 Burners Gas Range With Under Shelf & Splashback & Faucet 
 2 Burners Gas Range With Under Shelf 



FCGBR-1006A



FCGBR-1006B



- Assembling type, free-standing
- Air volume adjustable
- High-quality copper valves, good airtightness
- Simple design and brushed finish, easy to clean

Model	Dimension (mm)	Gas Type	LPG Pressure (pa)	Material
FCGBR-1006A	1000*(600+130)*800	LPG/NG	2800	Stainless Steel 201
FCGBR-1006B	1000*(600+130)*800	LPG/NG	2800	Stainless Steel 201

Gas 2 Burners Stock Pot Range 



FCGST-1206B

- Strong and stable flame
- Air volume adjustable
- Heavy duty cast iron top grates
- High-quality copper valves, good airtightness

Model	Dimension (mm)	Gas Typ	LPG Pressure (pa)	NG Pressure (pa)
FCGST-1206B	1200*600+130*450	LPG/NG	2800	2000

6/7 Burners Gas Range With Under Shelf 



FCGWS-1206A



FCGWS-1206B

- Assembling type, free-standing
- Air volume adjustable
- High-quality copper valves, good airtightness
- FCGWS-1206A: 1 big and 6 small burners
- FCGWS-1206B: 6 burners, flat pot support

Model	Dimension (mm)	Gas Type	Pressure (pa)	Material
FCGWS-1206A	1200*600+130*800	LPG/NG	2800PA	STAINLESS STEEL 201
FCGWS-1206B	1200*600+130*800	LPG/NG	2800PA	STAINLESS STEEL 201

 Countertop Electric Flat Induction Cooker



K1364-1



K1364-2



- Low profile, compact design
- Smooth surface is easy to clean
- Instant energy transmission to the pan
- With heat preservation function

Model	Dimension (mm)	Power (kW)	Voltage (V)
K1364-1	400*500*210	2.3	220
K1364-2	400*500*250	3.5	220

 Countertop Electric Induction Cooker



K1366-1



K1366-2



- 5~7 kW of heating power
- Low profile, compact design
- Recessed bowl for wok pans
- Smooth surface is easy to clean

Model	Dimension (mm)	Power (kW)	Voltage (V)
K1366-1	510*610*300	7	220
K1366-2	400*500*250	5	220

 8L / 10L / 13L / 19L / 23L / 28L Electric Rice Cooker



K060-1



K060-2



K060-3



K060-4



K060-5



K060-6

Model	Dimension (mm)	Capacity (L)	Net Weight (KG)	Electrical
K060-1	320*320*280	8	3.5	200V/1250W
K060-2	410*410*300	10	5	200V/1600W
K060-3	440*440*310	13	5.75	200V/1950W
K060-4	470*470*320	19	6.75	200V/2650W
K060-5	485*485*320	23	8.5	200V/2950W
K060-6	520*520*340	28	10	200V/3500W

13L / 19L Electric Rice Cooker ⚡



K1459-1



K1459-2



- With a dent-resistant body
- Non-stick aluminum alloy rice pot
- Electronic control panel is simple to operate
- Automatically switches from cooking to holding mode

Model	Dimension (mm)	Voltage (V/Hz)	Power (W)
K1459-1	465*465*400	220V/50HZ	1950
K1459-2	500*500*350	220V/50HZ	2300

20L Electric Rice Warmer ⚡
13L Electric Rice Cooker ⚡

20L Multi-function Electric Rice Cooker ⚡



K603



K604



K605

- Aluminum pot provides maximum durability
- Holds cooked rice for up to 12 hours at 50~100°C

Model	Dimension (mm)	Voltage (V/Hz)	Power (W)	Capacity (L)	Temperature Range (°C)
K603	375*455*400	220V/50HZ	84	20	50~100
K604	455*390*340	220V/50HZ	1.95	13	50~150
K605	455*415*420	220V/50HZ	1.95	20	50~160

 3/6/9 Layers Electric Rotisserie



- Thickened tempered glass
- Removable drip tray, easy to clean
- Over temperature protection, safe operation
- High performance heating elements
- Standard supplied with spears

Model	Dimension (mm)	Electrical	Temperature (°C)
K1189-1	1180*490*710	380V/50HZ/6KW	50-300
K1189-2	1180*490*1250	380V/50HZ/12.3KW	50-300
K1189-3	1180*490*1780	380V/50HZ/18.4KW	50-300

 3/6/9 Layers Gas Rotisserie

- Thickened tempered glass
- Infrared heating elements, evenly heating
- Over temperature protection, safe operation
- Unique circulation fan ensures even cooking



Model	Dimension (mm)	Gas Consumption (Btu/hr)	Rotary Voltage	Rotary Power (kW)	Capacity (chickens)
K1190-1	1180*490*710	34130	220V/50HZ	0.2	12-15
K1190-2	1180*490*1250	68260	220V/50HZ	0.3	18-24
K1190-3	1180*490*1780	102390	220V/50HZ	0.4	36-45

Rotary Gas Chicken Oven 



K1376

Model	Dimension (mm)	Heat Power (Btu/hr)	Rotary Power (kW)	Rotary Voltage (V/Hz)
K1376	1100*750*750	95564	0.1	220V/50HZ

- High performance heating elements
- Provides excellent product visibility
- Removable drip tray, easy to clean
- Over temperature protection, safe operation
- Perfect for poultry and ribs

Vertical Rotary Electric / Gas Oven  



K1374-1



K1374-2



- High performance heating elements
- Provides excellent product visibility
- Removable drip tray, easy to clean
- Over temperature protection, safe operation

Model	Dimension (mm)	Electrical	Gas Pressure (pa)	Temperature Range (°C)	Net Weight (KG)
K1374-1	670*550*1580	220-380V/50Hz/6.7kW	/	50-300	96
K1374-2	670*550*1580	/	2800	/	120

Rotary Electric Chicken Oven 



K1377-1



K1377-2



- High performance heating elements
- Provides excellent product visibility
- Removable drip tray, easy to clean
- Over temperature protection, safe operation
- Perfect for poultry and ribs

Model	Dimension (mm)	Electrical	Net Weight (KG)
K1377-1	810*670*610	220V/50Hz/4.5kW	65KG
K1377-2	1010*670*810	220V/50Hz/6kW	81KG

Electric Lift Salamander



FSESD-0505

- Completely made of stainless steel
- Removable drip tray and cooking grate
- Movable top can adjust the distance between food and heat elements

Model	Dimension (mm)	Power (kW)	Voltage
FSESD-0505	450*450*500	2.8	220V/50Hz

Counter Top Electric Salamander



FSESD-0603



FSESD-0604



FSESD-0805

- Completely made of stainless steel
- Height adjustable of layer
- High performance heating elements, fast and evenly heating
- Precise temperature control, sustained heating
- Removable drip tray and cooking grate

Model	Dimension (mm)	Power (kW)	Voltage	Gross Weight (KG)
FSESD-0603	570*340*260	2	220V/50-60Hz	17
FSESD-0604	580*390*390	4	220V/50-60Hz	21
FSESD-0805	800*450*470	7.2	220V/50-60Hz	32

Countertop Infrared Gas Salamander



FSGSD-0605



FSGSD-0905



- Completely made of stainless steel
- Infrared heating elements
- Height adjustable of layer
- Removable drip tray and cooking grate
- Cool-touch knobs for user safety

Model	Dimension (mm)	Gas Consumption (Btu/hr)	Burner
FSGSD-0605	620*490*600	22185	4
FSGSD-0905	880*490*600	32424	6

Electric Lift Salamander



FSESD-0605

- Stainless steel exterior
- Independent heating control
- Removable drip tray and cooking grate
- Mountable on legs or walls

Model	Dimension (mm)	Power (kW)	Voltage (V/Hz)
FSESD-0605	600*500*500	2.8	220V/50HZ

700/900 Series 4/6 Burner Gas Range With Oven / Cabinet



31100001

Oblong Induction Chafing Dish With Glass Lid



31100002

Oblong Induction Chafing Dish With Stainless Steel Legs & Glass Lid



31100003

Square Induction Chafing Dish With Glass Lid



31100004

Square Single Pan Chafing Dish With Stainless Steel Legs & Glass Lid

Model	Dimension (MM)	Capacity (L)	Material
31100001	580*475*170	11.2	Stainless Steel 304
31100002	615*475*345	11.2	Stainless Steel 304
31100003	475*410*170	7.5	Stainless Steel 304
31100004	475*410*345	7.5	Stainless Steel 304

700/900 Series 4/6 Burner Gas Range With Oven / Cabinet



31100005

Round Induction Chafing Dish With Glass Lid



31100006

Round Induction Chafing Dish With Stainless Steel Legs & Glass Lid



31100007

Round Induction Soup Station With Glass Lid



31100008

Round Induction Soup Station With Stainless Steel Legs & Glass Lid

Model	Dimension (MM)	Capacity (L)	Material
31100005	535*455*170	5.7	Stainless Steel 304
31100006	535*455*345	5.7	Stainless Steel 304
31100007	475*435*265	14.3	Stainless Steel 304
31100008	475*435*440	14.3	Stainless Steel 304

700/900 Series 4/6 Burner Gas Range With Oven / Cabinet



31100009

Small Round Induction Chafing Dish With Glass Lid



31100010

Small Round Chafing Dish With Stainless Steel Legs & Glass Lid

I don't know what to write.

- German EGO hotplate
- The heater and control with CE certification.
- German EGO hotplate
- The heater and control with CE certification.

Model	Dimension (MM)	Capacity (L)	Material
31100009	475*465*170	4.3	Stainless Steel 304
31100010	475*465*345	4.3	Stainless Steel 304

700/900 Series 4/6 Burner Gas Range With Oven / Cabinet



31120001
Oblong Induction Chafing Dish With
Stainless Steel Legs & Glass Lid



31120003
Round Induction Chafing Dish With
Stainless Steel Legs & Glass Lid



31120002
Square Induction Chafing Dish With
Stainless Steel Legs & Glass Lid



31120004
Round Soup Station With Stainless
Steel Legs & Glass Lid

Model	Dimension (MM)	Capacity (L)
31120001	570*440*295	11.2
31120002	440*410*295	7.5
31120003	480*430*250	5.7
31120004	540*340*280	2*4.9

I don't know what to write.

- German EGO hotplate
- The heater and control with CE certification.

Then just write something.

- German EGO hotplate
- The heater and control with CE certification.



700/900 Series 4/6 Burner Gas Range With Oven / Cabinet



31110001
Round Induction Chafing Dish
Induction Chafing Dish With Glass Lid



31110003
Stainless Steel Soup Station



31110002
Square Induction Chafing Dish
With Stainless Steel Legs & Glass Lid



31110004
Round Induction Chafing Dish With
Gilt Legs & Glass Lid

Model	Dimension (MM)	Capacity (L)	Material
31110001	490*425*235	5.7	STAINLESS STEEL
31120002	425*405*230	5.5	STAINLESS STEEL
31110003	430*420*305	9.7	STAINLESS STEEL
31110004	490*510*300	5.7	STAINLESS STEEL

Oblong Induction Chafing Dish



31110005

Round Induction Chafing Dish With Stainless Steel Legs & Glass Lid



31110006

Square Induction Chafing Dish With Gilt Legs & Glass Lid



31110007

Square Induction Chafing Dish With Stainless Steel Legs & Glass Lid

Model	Dimension (MM)	Capacity (L)	Material
31110005	490*510*300	5.7	Stainless Steel
31110006	420*410*290	5.5	Stainless Steel
31100007	420*401*290	5.5	Stainless Steel

Oblong Induction Chafing Dish



31110008

Round Induction Chafing Dish With Glass Lid



31110009

Square Induction Chafing Dish With Glass Lid



31110010

Oblong Induction Chafing Dish With Stainless Steel Legs & Glass Lid

Model	Dimension (MM)	Capacity (L)	Material
31110008	420*500*200	5.5	Stainless Steel
31110009	400*430*200	5.7	Stainless Steel
31110010	450*580*230	/	Stainless Steel

Oblong Induction Chafing Dish



31110011

Oblong Induction Chafing Dish With Stainless Steel Legs & Glass Lid



31110012

Oblong Induction Chafing Dish With Glass Lid



31110013

Stainless Steel Soup Station

Model	Dimension (MM)	Material
31110011	450*580*300	Stainless Steel
31110012	580*450*200	Stainless Steel
31110013	Φ410*H300	Stainless Steel

700/900 Series 4/6 Burner Gas Range With Oven / Cabinet



31110014
Oblong Induction Chafing Dish With
Stainless Steel Legs & Glass Lid



31110015
Round Induction Chafing Dish With
Stainless Steel Legs & Glass Lid

Model	Dimension (MM)	Capacity (L)
31110014	430*430*360	9.7
31110015	430*430*360	9.7

700/900 Series 4/6 Burner Gas Range With Oven / Cabinet



31130001
Oblong Chafing Dish (Glass Bowl)
with Silver Accents



31130002
Oval Chafing Dish (Glass Bowl)
with Silver Accents



31130003
Round Chafing Dish (Glass Bowl)
with Silver Accents

Model	Dimension (MM)	Capacity (L)	Material
31110001	455*250*215	2.9	STAINLESS STEEL 304+GLASS
31120002	455*250*215	3.2	STAINLESS STEEL 304+GLASS
31110003	340*260*195	1.9	STAINLESS STEEL 304+GLASS

Oblong Induction Chafing Dish



31110005
Deep Chafing Dish (Glass Bowl)
with Silver Accents



31110006
Coffee Pot with Silver Accents



31110007
Salad Bowl with Silver Stand

Model	Dimension (MM)	Capacity (L)	Material
31130004	345*295*230	4.1	Stainless Steel 304+Glass
31130005	170*155*345	1.4	Stainless Steel 304+Glass
31130006	300*300*170	3	Stainless Steel 304+Glass

Oblong Induction Chafing Dish



31100021

Rectangle Serving Platter with Silver Accents-Small Size



31100022

Rectangle Serving Platter with Silver Accents-Large Size



31100023

Rectangle Serving Platter with Gold Accents-Small Size



31100024

Rectangle Serving Platter with Gold Accents-Large Size

Model	Dimension (MM)	Package	Material
31100021	520*265*65	6 PCS/BOX	Stainless Steel 304
31100022	528*310*65	6 PCS/BOX	Stainless Steel 304
31100023	520*265*65	6 PCS/BOX	Stainless Steel 304
31100024	528*310*65	6 PCS/BOX	Stainless Steel 304

Oblong Induction Chafing Dish



31100025

Round Serving Platter with Silver Accents-Small Size



31100026

Round Serving Platter with Silver Accents-Large Size



31100027

Round Serving Platter with Gold Accents-Small Size



31100028

Round Serving Platter with Gold Accents-Large Size

Model	Dimension (MM)	Package	Material
31100025	420*350*65	6 PCS/BOX	Stainless Steel 304
31100026	510*440*65	6 PCS/BOX	Stainless Steel 304
31100027	420*350*65	6 PCS/BOX	Stainless Steel 304
31100028	510*440*65	6 PCS/BOX	Stainless Steel 304

Oblong Induction Chafing Dish



31100029

Oval Serving Platter with Silver Accents-Small Size



31100030

Oval Serving Platter with Silver Accents-Large Size



31100031

Oval Serving Platter with Gold Accents-Small Size



31100032

Oval Serving Platter with Gold Accents-Large Size

Model	Dimension (MM)	Package	Material
31100029	450*225*65	6 PCS/BOX	Stainless Steel 304
31100030	500*260*65	6 PCS/BOX	Stainless Steel 304
31100031	450*225*65	6 PCS/BOX	Stainless Steel 304
31100032	500*260*65	6 PCS/BOX	Stainless Steel 304

700/900 Series 4/6 Burner Gas Range With Oven / Cabinet



31100011
6.5L Milk Dispenser



31100013
Single Head Juice Dispenser

Model	Dimension (MM)	Capacity (L)	Material
31100011	365*215*450	6.4	STAINLESS STEEL 304
31100013	365*250*500	7.7	STAINLESS STEEL 304

700/900 Series 4/6 Burner Gas Range With Oven / Cabinet



31100014
Single Head Juice Dispenser



31100015
Double Heads Juice Dispenser



31100016
Triple Heads Juice Dispenser

Model	Dimension (MM)	Capacity (L)	Material
31100014	355*230*550	7.7	STAINLESS STEEL 304+GLASS
31100015	465*355*550	2*7.7	STAINLESS STEEL 304+GLASS
31100016	680*355*550	3*7.7	STAINLESS STEEL 304+GLASS

Oblong Induction Chafing Dish



31100018
Single Head Cereal Dispenser



31100019
Double Heads Cereal Dispenser



31100020
Triple Heads Cereal Dispenser

Model	Dimension (MM)	Capacity (L)	Material
31100018	210*210*545	3.7	Stainless Steel 304
31100019	395*210*545	2*3.7	Stainless Steel 304
31100020	465*355*550	3*3.7	Stainless Steel 304

Rotating Triple Heads Cereal Dispenser



31100017
Rotating Triple Heads
Cereal Dispenser

I don't know what to write. Then just write something.

- German EGO hotplate
- The heater and control with CE
- German EGO hotplate
- The heater and control with CE

Model	Dimension (MM)	Capacity (L)	Material
31100017	575*210*545	3*3.7	Stainless Steel 304

Oblong Induction Chafing Dish



31100028
Round Serving Platter with
Gold Accents-Large Size

Then just write something.

- German EGO hotplate
- The heater and control with CE

Model	Dimension (MM)	Material
31140001	L260	Stainless Steel 304
31140002	L265	Stainless Steel 304
31140003	L260	Stainless Steel 304
31140004	L315	Stainless Steel 304
31140005	L255	Stainless Steel 304



1/2 Doors Fancooling Upright Chiller/Freezer



FRCF-1-1

FRCF-1-1

FRCF-2-1

FRCF-2-2

- Stainless steel exterior/interior
- One/two doors optional
- Insulation with foaming thickness 70mm
- Accurate and exact temperature control
- Plastic-coated shelves, support up to 30kg
- Air flow system for uniform distribution of cooling

Model	Dimension (mm)	Capacity (L)	Electrical	Temperature Range (°C)	Net Weight (kg)	Foaming Thickness (mm)
FRCF-1-1	740*828*2050	650	220-240V/50Hz/523W	0 ~ 8	115	70
FRCF-1-2	740*828*2050	650	220-240V/50Hz/625W	-18 ~ -22	125	70

Model	Dimension (mm)	Capacity (L)	Electrical	Temperature Range (°C)	Net Weight (kg)	Foaming Thickness (mm)
FRCF-2-1	740*828*2050	650	220-240V/50Hz/523W	0 ~ 8	116	70
FRCF-2-2	740*828*2050	650	220-240V/50Hz/645W	-18 ~ -22	126	70



1/2 Glass Doors Fancooling Upright Chiller/Freezer



FRCF-3-1

FRCF-3-2

FRCF-3-3



- One/two doors optional
- Insulation with foaming thickness 70mm
- Accurate and exact temperature control

- Plastic-coated shelves, support up to 30kg
- Air flow system for uniform distribution of cooling
- Adjustable feet/castors optional

Model	Dimension (mm)	Capacity (L)	Electrical	Temperature Range (°C)	Net Weight (kg)	Foaming Thickness (mm)
FRCF-3-1	740*828*2050	650	220-240V/50Hz/553W	3 ~ 10	124	70
FRCF-3-2	740*828*2050	650	220-240V/50Hz/655W	-15 ~ -20	124	70

Model	Dimension (mm)	Capacity (L)	Electrical	Temperature Range (°C)	Net Weight (kg)	Foaming Thickness (mm)
FRCF-3-3	740*828*2050	650	220-240V/50Hz/573W	3 ~ 10	128	70

2 Doors Fancooling Upright Chiller / Freezer



FRCF-4-1



FRCF-4-2

- Stainless steel exterior/interior
- Self-closing doors as angle less than 90°
- Accurate and exact temperature control
- Air flow system for uniform distribution of cooling
- Independent cooling unit, easy maintenance
- Removable magnetic silicone-sealed gaske

Model	Dimension (mm)	Capacity (L)	Electrical	Temperature Range (°C)	Net Weight (kg)	Foaming Thickness (mm)
FRCF-4-1	1480*828*2050	1350	220-240V/50Hz/727W	0 ~ +8	191	70
FRCF-4-2	1480*828*2050	1350	220-240V/50Hz/1074W	-18 ~ -22	202	70

4 Doors Fancooling Upright Chiller / Freezer
Dual Temperature Double Split Door Cabinet



FRCF-5-1



FRCF-5-2



FRCF-5-3



- Stainless steel exterior/interior, 4 doors
- Freezing/chilling/dual-temperature
- LED lamp auto-light up when opening door
- Removable magnetic silicone-sealed gasket
- Independent cooling unit, easy maintenance
- Adjustable feet/castors optional

Model	Dimension (mm)	Capacity (L)	Electrical	Temperature Range (°C)	Net Weight (kg)	Foaming Thickness (mm)
FRCF-5-1	1480*828*2050	1350	220-240V/50Hz/747W	0 ~ +8	193	70
FRCF-5-2	1480*828*2050	1350	220-240V/50Hz/1104W	-18 ~ -22	204	70
FRCF-5-3	1480*828*2050	1350	220-240V/50Hz/1158W	0 ~ +8 , -18 ~ -22	224	70



Glass Doors Fancooling Upright Chiller/Freezer



FRCF-6-1



FRCF-6-2



FRCF-6-3

- Stainless steel exterior/interior, glass doors
- Self-closing doors as angle less than 90°
- Accurate and exact temperature control
- Independent cooling unit, easy maintenance
- LED lamp auto-light up when opening door
- Adjustable feet/castors optional

Model	Dimension (mm)	Capacity (L)	Electrical	Temperature Range (°C)	Net Weight (kg)	Foaming Thickness (mm)
FRCF-6-1	1480*828*2050	1350	220-240V/50Hz/777W	+3 ~ +10	208	70
FRCF-6-2	1480*828*2050	1350	220-240V/50Hz/1134W	-15 ~ -20	219	70
FRCF-6-3	1480*828*2050	1350	220-240V/50Hz/797W	+3 ~ +10	212	70

2 Doors Fancooling Undercounter Chiller & Freezer



FRUC-1-1



FRUC-1-2

- Stainless steel exterior/interior
- Insulation with foaming thickness 60mm
- Removable magnetic silicone-sealed gasket
- Self-closing doors as angle less than 90°
- Independent cooling unit, easy maintenance
- Adjustable feet/castors optional

Model	Dimension (mm)	Capacity (L)	Electrical	Temperature Range (°C)	Net Weight (kg)	Thickness (mm)
FRUC-1-1	1360*700*855	270	220-240V/50Hz/280W	0~+8	93	60
FRUC-1-2	1360*700*855	270	220-240V/50Hz/500W	-18~-22	100	60

3 Doors Fancooling Undercounter Chiller / Freezer



FRUC-2-1



FRUC-2-2

Model	Dimension (mm)	Capacity (L)	Electrical	Temperature Range (°C)	Net Weight (kg)	Foaming Thickness (mm)
FRUC-2-1	1810*700*855	417	220-240V/50Hz/310W	0~+8	106	60
FRUC-2-2	1810*700*855	417	220-240V/50Hz/520W	-18~-22	115	60

4 Doors Fancooling Undercounter Chiller / Freezer



FRUC-3-1



FRUC-3-2

Model	Dimension (mm)	Capacity (L)	Electrical	Temperature Range (°C)	Net Weight (kg)	Foaming Thickness (mm)
FRUC-3-1	2263*700*855	566	220-240V/50Hz/350W	0~+8	125	60
FRUC-3-2	2263*700*855	566	220-240V/50Hz/680W	-18~-22	135	60



3 Doors Foaming Thickness



FRUC-4-1



FRUC-4-2

- Stainless steel exterior/interior
- Insulation with foaming thickness 60mm
- Removable magnetic silicone-sealed gasket
- Self-closing doors as angle less than 90°
- Independent cooling unit, easy maintenance
- Adjustable feet/castors optional

Model	Dimension (mm)	Capacity (L)	Electrical	Temperature Range (°C)	Net Weight (kg)	Foaming Thickness (mm)
FRUC-4-1	1360*700*955	270	220-240V/50Hz/280W	0~+8	95	60
FRUC-4-2	1360*700*955	270	220-240V/50Hz/500W	-18~-22	102	60



2 Doors Fancooling Undercounter Chiller / Freezer with Backsplash



FRUC-5-1



FRUC-5-2

Model	Dimension (mm)	Capacity (L)	Electrical	Temperature Range (°C)	Net Weight (kg)	Foaming Thickness (mm)
FRUC-5-1	1810*700*955	417	220-240V/50Hz/310W	0~+8	109	60
FRUC-5-2	1810*700*955	417	220-240V/50Hz/520W	-18~-22	118	60



4 Doors Fancooling Undercounter Chiller / Freezer with Backsplash



FRUC-6-1



FRUC-6-2

Model	Dimension (mm)	Capacity (L)	Electrical	Temperature Range (°C)	Net Weight (kg)	Foaming Thickness (mm)
FRUC-6-1	2263*700*955	566	220-240V/50Hz/350W	0~+8	129	69
FRUC-6-2	2263*700*955	566	220-240V/50Hz/680W	-18~-22	139	69

2 / 3 / 4 Glass Doors Fancooling Undercounter Chiller



FRUC-7-1



FRUC-7-2

- Stainless steel exterior/interior, glass doors
- Self-closing door as angle less than 90°
- Plastic-coated shelves, support up to 30kg
- Independent cooling unit, easy maintenance
- Adjustable feet/castors optional

Model	Dimension (mm)	Capacity (L)	Electrical	Temperature Range (°C)	Net Weight (kg)	Thickness (mm)
FRUC-7-1	1360*700*855	270	220-240V/50Hz/280W	+3 ~ +10	96	60
FRUC-7-2	1810*700*855	417	220-240V/50Hz/310W	+3 ~ +10	112	60



FRUC-7-3

- Stainless steel exterior/interior, glass doors
- Insulation with foaming thickness 60mm
- Self-closing door as angle less than 90°
- Air flow system for uniform distribution of cooling
- Independent cooling unit, easy maintenance
- Adjustable feet/castors optional

Model	Dimension (mm)	Capacity (L)	Electrical	Temperature Range (°C)	Net Weight (kg)	Foaming Thickness (mm)
FRUC-7-3	2263*700*855	566	220-240V/50Hz/350W	+3 ~ +10	132	60



2 / 3 / 4 Drawers Fancooling Undercounter Chiller



FRUC-8-1



FRUC-8-2



FRUC-8-3

Model	Dimension (mm)	Capacity (L)	Electrical	Temperature Range (°C)	Net Weight (kg)	Thickness (mm)
FRUC-8-1	1360*700*855	270	220-240V/50Hz/280W	0 ~ +8	104	60
FRUC-8-2	1360*700*855	270	220-240V/50Hz/280W	0 ~ +8	109	60
FRUC-8-3	1360*700*855	270	220-240V/50Hz/280W	0 ~ +8	115	60



6 Drawers Fancooling Undercounter Chiller



FRUC-8-4



FRUC-8-5

Model	Dimension (mm)	Capacity (L)	Electrical	Temperature Range (°C)	Net Weight (kg)	Thickness (mm)
FRUC-8-4	1360*700*855	270	220-240V/50Hz/280W	0 ~ +8	125	60
FRUC-8-5	1810*700*855	417	220-240V/50Hz/310W	0 ~ +8	113	60



3*1/3 + 4*1/2 Drawers Fancooling Undercounter Chiller

3*1/3 + 2*1/2 Drawers Fancooling Undercounter Chiller



FRUC-8-6



FRUC-8-7

Model	Dimension (mm)	Capacity (L)	Electrical	Temperature Range (°C)	Net Weight (kg)	Thickness (mm)
FRUC-8-6	1810*700*855	417	220-240V/50Hz/310W	0 ~ +8	123	60
FRUC-8-7	1810*700*855	417	220-240V/50Hz/310W	0 ~ +8	129	60

4*1/3+2*1/2+1*2/3 Drawers Fancooling Undercounter Chiller
9*1/3 Drawers Fancooling Undercounter Chiller



FRUC-8-8



FRUC-8-9

Model	Dimension (mm)	Capacity (L)	Electrical	Temperature Range (°C)	Net Weight (kg)	Thickness (mm)
FRUC-8-8	1810*700*855	417	220-240V/50Hz/310W	0~+8	134	60
FRUC-8-9	1810*700*855	417	220-240V/50Hz/310W	0~+8	134	60

3 Doors 2 Drawers / 2 Doors 4 Drawers Fancooling Undercounter Chiller



FRUC-8-10



FRUC-8-11

Model	Dimension (mm)	Capacity (L)	Electrical	Temperature Range (°C)	Net Weight (kg)	Foaming Thickness (mm)
FRUC-8-10	2263*700*855	566	220-240V/50Hz/350W	0~+8	135	60
FRUC-8-11	2263*700*855	566	220-240V/50Hz/350W	0~+8	146	60

2 Doors 5 Drawers / 1 Door 7 Drawers Fancooling Undercounter Chiller



FRUC-8-12



FRUC-8-13

Model	Dimension (mm)	Capacity (L)	Electrical	Temperature Range (°C)	Net Weight (kg)	Foaming Thickness (mm)
FRUC-8-12	2263*700*855	566	220-240V/50Hz/350W	0~+8	151	60
FRUC-8-13	2263*700*855	566	220-240V/50Hz/350W	0~+8	162	60



3 / 5 / 8 / 11 / 15 Pans Fancooling Blast Freezer



FRBF-1-1

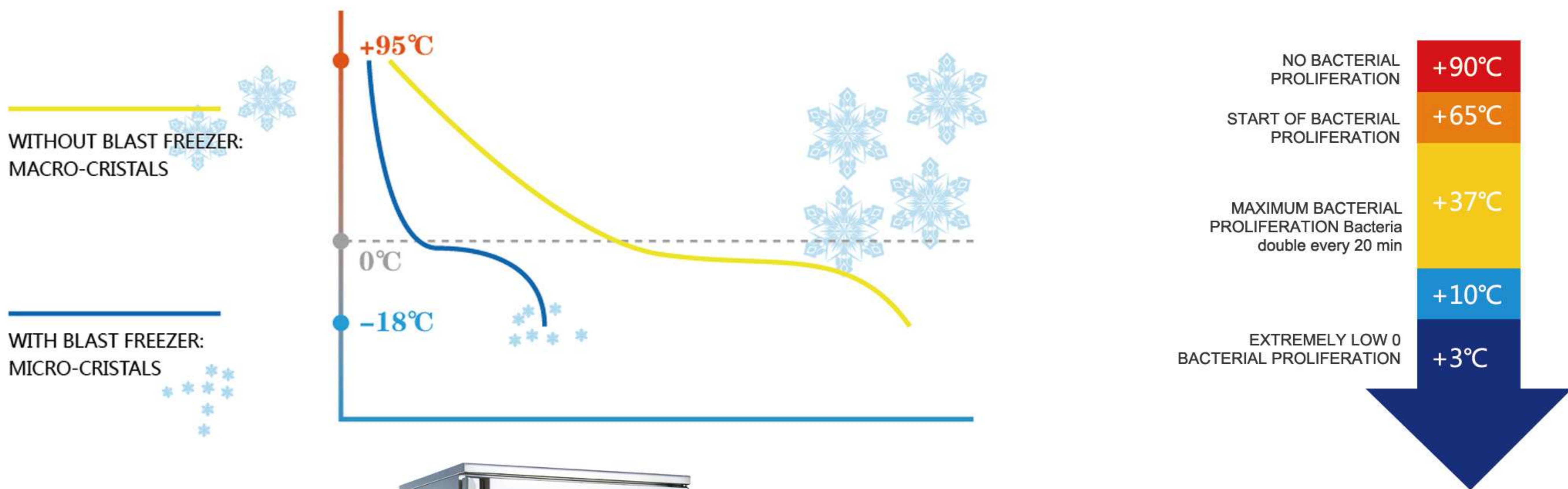
FRBF-1-2

FRBF-1-3

AK08-G

- From +90°C to +3°C in 90 min
- From +90°C to -18°C in 240 min
- Less dehydration & weight loss of food
- Preserve the food fragrance and flavor
- Effectively prevents bacterial proliferation
- High efficiency cooling, time saving

Model	Dimension (mm)	Performance Temp. (°C)	Trays Pitch (mm)	Condensing Unit (Hp)	Electrical	Net Weight (kg)
FRBF-1-1	710*700*560	-36 ~ -40	70	Integrated	220V/50Hz/690W	60
FRBF-1-2	790*700*920	-36 ~ -40	70	Integrated	220V/50Hz/970W	110
FRBF-1-3	790*800*1320	-36 ~ -40	70	Integrated	220V/50Hz/1410W	140
AK08-G	790*835*1320	-36 ~ -40	70	Integrated	220V/50Hz/1410W	140

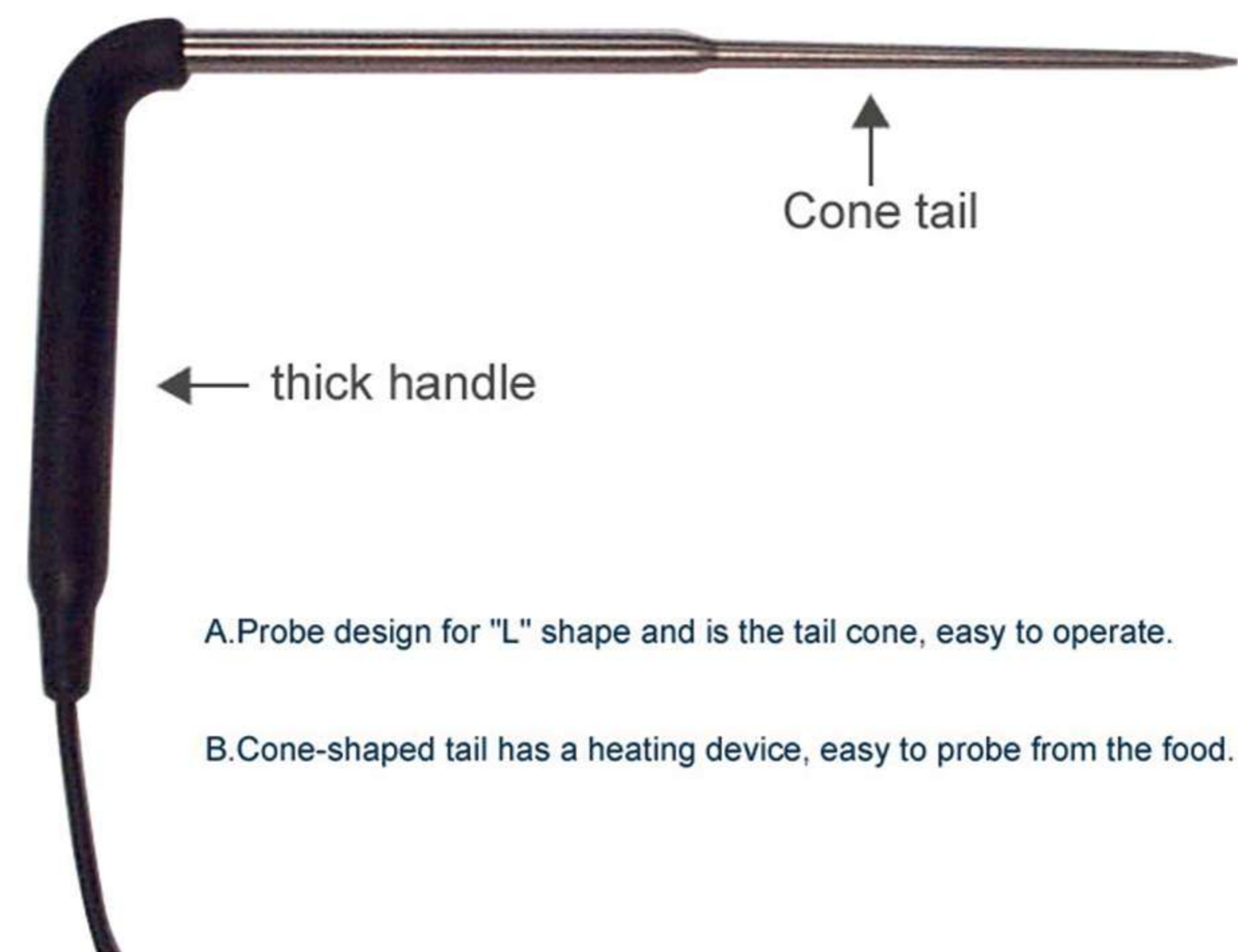


FRBF-1-4



FRBF-1-5

Probe



A. Probe design for "L" shape and is the tail cone, easy to operate.

B. Cone-shaped tail has a heating device, easy to probe from the food.

Model	Dimension (mm)	Capacity (L)	Power (W)	Hp. Of Compressor (Hp)	Net Weight (kg)
FRBF-1-4	790*800*1680	280	3500	2850	170
FRBF-1-5	790*800*1950	370	5250	3930	200



R498



R499

- All stainless steel construction
- Accommodates one/two 600×800 trolley
- Remote condenser design minimizes noise and heat
- Great for chilling meats, fish, and poultry
- 380V/3/50Hz

Model	Dimension (mm)	Performance Temp. (°C)	Inner Useful Dimensions	Condensing Unit	Electrical
R498	1500*1315*2400	-36 ~ -40	740*1000*2000	Remote	380V/50Hz/8230
R499	1500*2115*2400	-36 ~ -40	740*1800*2000	Remote	380V/50Hz/15200



R496



R497

- All stainless steel construction
- Accommodates one 600×800 trolley
- Cools up to 95kg of food in 90 minutes
- Great for chilling meats, fish, and poultry
- Integrated condensing unit
- 380V/3/50Hz

Model	Dimension (mm)	Performance Temp. (°C)	Inner Useful Dimensions	Condensing Unit	Electrical
R496	890*1300*1865	-36 ~ -40	700*850*1235	Integrated	380V/50Hz/5200
R497	1530*1300*1970	-36 ~ -40	700*850*1780	Integrated	380V/50Hz/6920

Furnotel

Upright Deep Freezer



R500



R501

- Heavy-duty cabinet construction
- Ultra low temperature to -60°C
- Perfect for storing tuna and other fish high in protein
- Quick freezing will leave the meat or fish muscle undamaged by ice crystals formed during freezing
- Extend the food's shelf life, more importantly, the nutrition can be maintained maximum

Model	Dimension (mm)	Performance Temp. (°C)	Capacity (L)	Electrical	Net Weight (kg)
R500	710*900*1410	-15 ~ -60	218	220V/50Hz/650W	118
R501	710*900*1980	-15 ~ -60	368	220V/50Hz/1250W	145

Furnotel

Horizontal Deep Freezer



R502



R503

- Heavy-duty cabinet construction
- Ultra low temperature to -60°C
- Quick freezing, protect the flavor from being destroyed
- Perfect for storing tuna and other fish high in protein
- Extend the food's shelf life, more importantly, the nutrition can be maintained maximum

Model	Dimension (mm)	Performance Temp. (°C)	Capacity (L)	Electrical	Net Weight (kg)
R502	930*650*890	-15 ~ -60	150	220V/50Hz/540W	88
R503	1530*650*890	-15 ~ -60	320	220V/50Hz/1130W	118

Furnotel

121L / 190L / 375L Sashimi Fish Freezer



R504



R505



R506

Model	Dimension (mm)	Performance Temp. (°C)	Capacity (L)	Power (W)	Net Weight (kg)
R504	720*650*820	-35 ~ -40	121	280W	47
R505	960*650*820	-35 ~ -40	190	280W	53
R506	1560*650*820	-35 ~ -40	375	350W	73

2 / 3 Doors Fancooling Pizza Pre Station



FRCR-2-1



FRCR-2-2



FRCR-2-3

Model	Dimension (mm)	Capacity (L)	Electrical	Temperature Range (°C)	Net Weight (kg)	Thickness (mm)
FRCR-2-1	1360*700*1030	270	220-240V/50Hz/280W	0 ~ +8	135	60
FRCR-2-2	1500*800*1030	375	220-240V/50Hz/310W	0 ~ +8	140	60
FRCR-2-3	1810*700*1030	375	220-240V/50Hz/310W	0 ~ +8	170	60



FRCR-2-4



FRCR-2-5

Model	Dimension (mm)	Capacity (L)	Electrical	Temperature Range (°C)	Net Weight (kg)	Foaming Thickness (mm)
FRCR-2-4	2025*800*1030	375	220-240V/50Hz/310W	0 ~ +8	170	60
FRCR-2-5	2025*800*1030	580	220-240V/50Hz/350W	0 ~ +8	170	60

2 / 3 Doors Fancooling Salad Pre Station



FRCR-3-1



FRCR-3-2



FRCR-3-3

Model	Dimension (mm)	Capacity (L)	Electrical	Temperature Range (°C)	Net Weight (kg)	Foaming Thickness (mm)
FRCR-3-1	1360*700*1100	400	220-240V/50Hz/300W	0 ~ +8	105	60
FRCR-3-2	1500*800*1100	460	220-240V/50Hz/300W	0 ~ +8	115	60
FRCR-3-3	1810*700*1100	520	220-240V/50Hz/320W	0 ~ +8	125	60



3 Doors Fancooling Salad Pre Station



FRCR-4



FRCR-5



Model	Dimension (mm)	Capacity (L)	Electrical	Temperature Range (°C)	Net Weight (kg)	Thicknes (mm)
FRCR-4	1810*700*855	417	220-240V/50Hz/350W	0 ~ +8	120	60
FRCR-5	1810*700*1500	417	220-240V/50Hz/350W	0 ~ +8	165	60



2 Doors Salad Work Bench



FRSWB-0907A



FRSWB-0907B



FRSWB-0907C



FRSWB-0907D

Model	Dimension (mm)	Capacity (L)	Electrical	Temperature Range (°C)	Net Weight (kg)
FRSWB-0907A	922*700*870	240	220-240V/50Hz/195W	+2 ~ +8	65
FRSWB-0907B	922*700*870	240	220-240V/50Hz/180W	+2 ~ +8	68
FRSWB-0907C	922*700*870	240	220-240V/50Hz/180W	+2 ~ +8	98



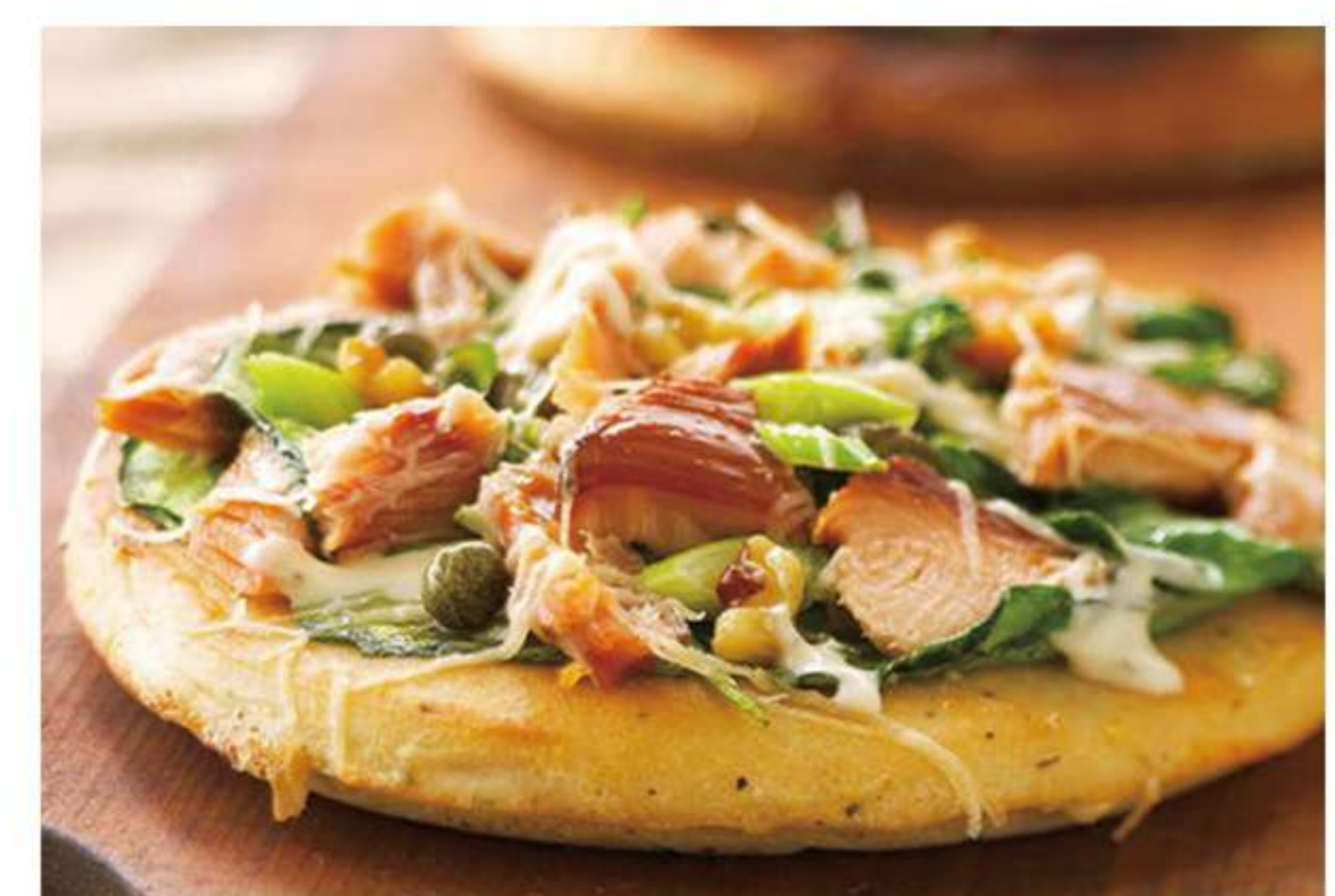
3 Doors Salad Work Bench



FRSWB-1307A



FRSWB-1307B



Model	Dimension (mm)	Capacity (L)	Electrical	Temperature Range (°C)	Net Weight (kg)
FRSWB-1307A	1386*700*870	370	220-240V/50Hz/300W	+2 ~ +8	65
FRSWB-1307B	1386*700*870	370	220-240V/50Hz/280W	+2 ~ +8	110

3 Doors Salad Work Bench



FRSWB-1307C



FRSWB-1307D

- Marble/stainless steel worktop
- Available in a wide range of temperatures and options
- Ingredients in kitchen to be prepared in advance and stored safely
- Optimize your back-of-house operation

Model	Dimension (mm)	Capacity (L)	Electrical	Temperature Range (°C)	Net Weight (kg)
FRSWB-1307C	1386*700*870	370	220-240V/50Hz/300W	+2 ~ +8	174
FRSWB-1307D	1386*700*870	370	220-240V/50Hz/320W	+2 ~ +8	126



Sliding / Hinged Doors Fancooling Bar Refrigerator



FRBR-1-1



FRBR-2-1



FRBR-3-1



Model	Dimension (mm)	Capacity (L)	Electrical	Temperature Range (°C)	Net Weight (kg)	Doors Type (mm)
FRBR-1-1	900*520*800	196	220-240V/50Hz/195W	+1 ~ +8	68	Sliding Door
FRBR-2-1	1350*520*800	304	220-240V/50Hz/261W	+1 ~ +8	93	Sliding Door
FRBR-3-1	600*520*800	124	220-240V/50Hz/195W	+1 ~ +8	53	Hinged Door



Hinged Doors Fancooling Bar Refrigerator



FRBR-4-1



FRBR-5-3

- Stainless steel exterior
- Door with return spring
- Embedded anti-water thermostat
- Adjustable nylon coated wire shelves

Model	Dimension (mm)	Capacity (L)	Electrical	Temperature Range (°C)	Net Weight (kg)	Doors Type
FRBR-4-1	900*520*800	196	220-240V/50Hz/195W	+1 ~ +8	68	Hinged Door
FRBR-5-3	922*700*870	240	220-240V/50Hz/180W	+2 ~ +8	68	Hinged Door



124/196L Fancooling Bar Refrigerator



FRBR-0605



FRBR-0905



FRBR-0905B



Model	Dimension (mm)	Capacity (L)	Electrical	Temperature Range (°C)	Net Weight (kg)	Doors Type
FRBR-0605	600*520*800	124	220-240V/50Hz/195W	+1 ~ +10	43	HINGED DOOR
FRBR-0905	900*520*800	196	220-240V/50Hz/195W	+1 ~ +10	98	HINGED DOOR
FRBR-0905B	900*520*800	196	220-240V/50Hz/195W	+1 ~ +10	60	SLIDING DOOR

304L 3 Doors Fancooling Bar Refrigerator



FRBR-1305



FRBR-1305B

- Black PCM material
- Perfect design for bar
- Interior mirror surface
- Double glazed doors, bright and energy saving light
- Adjustable nylon coated wire shelves

Model	Dimension (mm)	Capacity (L)	Electrical	Temperature Range (°C)	Net Weight (kg)	Doors Type (kg)
FRBR-1305	1350*520*800	304	220-240V/50Hz/195W	+1 ~ +10	84	Hinged Door
FRBR-1305B	1350*520*800	304	220-240V/50Hz/195W	+1 ~ +10	86	Sliding Door

Furnotel

45kg/60kg/80kg/100kg/115kg Cube Ice Maker



FRM45CH



FRM60CH



FRM80CH



FRM100CH



FRM115CH

Model	Dimension (mm)	Productivity	Storage Capacity (kg)	Electrical	Net Weight (kg)
FRM45CH	530*620*760	45Kg/24h	25	220V/50Hz/380W	40
FRM60CH	530*620*760	60Kg/24h	25	220V/50Hz/420W	67
FRM80CH	680*930*940	80Kg/24h	40	220V/50Hz/550W	89
FRM100CH	680*930*940	100Kg/24h	40	220V/50Hz/630W	92
FRM115CH	680*930*940	115Kg/24h	40	220V/50Hz/750W	95

Furnotel

140kg/180kg/250kg/300kg/450kg Separate Type Cube Ice Maker



FRM140SH



FRM180SH



FRM250SH



FRM300SH



FRM450SH

Model	Dimension (mm)	Productivity	Storage Capacity (kg)	Electrical	Net Weight (kg)
FRM140SH	570*835*1535	140Kg/24h	160	220V/50Hz/800W	75
FRM180SH	570*835*1535	180Kg/24h	160	220V/50Hz/900W	95
FRM250SH	770*835*1590	250Kg/24h	240	220V/50Hz/1000W	105
FRM300SH	770*835*1680	300Kg/24h	240	220V/50Hz/1350W	110
FRM450SH	770*835*1795	450Kg/24h	240	220V/50Hz/2350W	145

700kg/900kg/1000kg Separate Type Cube Ice Maker



FRM700SH



FRM900SH



FRM1000SH

- Separate ice cube machine
- Ice cube size: 22*22*22mm
- Designed to be heavy duty use
- High efficiency air cooling system
- Widely used in beverage shop, supermarket, ice factory, etc.

Model	Dimension (mm)	Productivity	Storage Capacity (kg)	Electrical	Net Weight (kg)
FRM700SH	1220*940*1885	700Kg/24h	455	220V/50Hz/3000W	276
FRM900SH	1220*940*1960	900Kg/24h	455	220V/50Hz/4000W	280
FRM1000SH	1220*940*1960	1000kg/24h	455	220V/50Hz/4500W	280

25kg/40kg/50kg/60kg Cube Ice Maker



FRM25CN



FRM40CN



FRM50CN



FRM60CN

Model	Dimension (mm)	Productivity	Storage Capacity (kg)	Electrical	Net Weight (kg)
FRM25CN	510*450*840	25Kg/24h	20	220V/50Hz/260W	35
FRM40CN	510*450*840	40Kg/24h	20	220V/50Hz/320W	35
FRM50CN	510*600*840	50Kg/24h	27	220V/50Hz/350W	44
FRM60CN	510*600*840	60Kg/24h	27	220V/50Hz/420W	66

Furnotel

70kg/80kg/100kg/130kg Cube Ice Maker



FRM70CN

FRM80CN

FRM100CN

FRM130CN

- Combination ice cube machine
- Ice cube size: 22*22*22mm
- High efficiency air cooling system
- Widely used in cafés, bars, restaurants and other catering service places

Model	Dimension (mm)	Productivity	Storage Capacity (kg)	Electrical	Net Weight (kg)
FRM70CN	670*680*900	70Kg/24h	40	220V/50Hz/490W	87
FRM80CN	670*680*900	80Kg/24h	40	220V/50Hz/510W	89
FRM100CN	670*680*900	100Kg/24h	40	220V/50Hz/750W	90
FRM130CN	670*680*900	130Kg/24h	40	220V/50Hz/850W	90

Furnotel

130kg/160kg/210kg/250kg/300kg/450kg Separate Type Cube Ice Maker



FRM130SN

FRM160SN

FRM210SN

FRM250SN

FRM300SN

FRM450SN

Model	Dimension (mm)	Productivity	Storage Capacity (kg)	Electrical	Net Weight (kg)
FRM130SN	570*890*1605	130Kg/24h	140	220V/50Hz/800W	68
FRM160SN	570*890*1605	160Kg/24h	140	220V/50Hz/900W	68
FRM210SN	770*920*1620	210Kg/24h	200	220V/50Hz/1000W	98
FRM250SN	770*920*1620	250Kg/24h	200	220V/50Hz/1350W	98
FRM300SN	770*920*1620	300Kg/24h	200	220V/50Hz/1350W	105
FRM450SN	770*920*1765	450Kg/24h	200	220V/50Hz/2350W	134

700kg/900kg/1000kg Separate Type Cube Ice Maker



FRM700SN



FRM900SN



FRM1000SN

Model	Dimension (mm)	Productivity	Storage Capacity (kg)	Electrical	Net Weight (kg)
FRM700SN	1220*940*1885	700Kg/24h	455	220V/50Hz/3000W	276
FRM900SN	1220*940*1890	900Kg/24h	455	220V/50Hz/4000W	260
FRM1000SN	1220*940*1965	1000Kg/24h	455	220V/50Hz/4500W	260

Refrigerated self-service models for you cold meals, salads, cold starters, desserts etc. Made of moistureproof, waterproof and fireproof wood and first-class marble. Available in a wide variety of shapes and sizes.

Furnotel

Luxurious Barque Salad Bar

Square Lift Up Salad Bar

2-Channel Containers Salad Bar



C246



C247



C248

Model	Dimension (mm)	Power (W)	Voltage	Temperature (°C)	Refrigerant
C246	2350*1050*2500	520	220V/50Hz	2-10	R134/R404
C247	1850*1850*1600	620	220V/50Hz	2-10	R134/R404
C248	1870*1550*1600	560	220V/50Hz	0-10	R134/R404

Furnotel

Hood Type Salad Bar



C249-1



C249-2



C250-1



C250-2

Model	Dimension (mm)	Power (W)	Voltage	Temperature (°C)	Refrigerant
C249-1	1580*800*1250	520	220V/50Hz	2-10	R134/R404
C249-2	1910*800*1250	705	220V/50Hz	2-10	R134/R404
C250-1	1560*780*1220	480	220V/50Hz	0-10	R134/R404
C250-2	1890*780*1220	520	220V/50Hz	0-10	R134/R404

Furnotel

Wall-Side Salad Bar



C251-1



C251-2



C251-3

Model	Dimension (mm)	Power (W)	Voltage	Temperature (°C)	Refrigerant
C251-1	1590*800*1380	520	220V/50Hz	2-10	R134/R404
C251-2	1920*800*1380	705	220V/50Hz	2-10	R134/R404
C251-3	2250*800*1380	980	220V/50Hz	2-10	R134/R404

Island Type Sliding-Door Salad Bar



C252-1



C252-2



C252-3

Model	Dimension (mm)	Power (W)	Voltage	Temperature (°C)	Refrigerant
C252-1	1490*750*1380	480	220V/50Hz	2-10	R134/R404
C252-2	1820*750*1380	560	220V/50Hz	2-10	R134/R404
C252-3	2150*750*1380	640	220V/50Hz	2-10	R134/R404

Wall-Side Salad Bar



C253-1



C253-2



Model	Dimension (mm)	Power (W)	Voltage	Temperature (°C)	Refrigerant
C253-1	1570*800*1380	520	220V/50Hz	2-10	R134/R404
C253-2	1900*800*1380	705	220V/50Hz	2-10	R134/R404

Double Sides Salad Bar



C254-1



C254-2



C254-3

Model	Dimension (mm)	Power (W)	Voltage	Temperature (°C)	Refrigerant
C254-1	1590*750*1380	480	220V/50Hz	2-10	R134/R404
C254-2	1920*750*1380	580	220V/50Hz	2-10	R134/R404
C254-3	2250*750*1380	705	220V/50Hz	2-10	R134/R404



Marble Island Type Salad Bar



C255-1



C255-2



Model	Dimension (mm)	Power	Voltage	Temperature (°C)	Refrigerant
C255-1	1820*1050*1380	520	220V/50Hz	2-10	R134/R404
C255-2	2150*1050*1380	705	220V/50Hz	2-10	R134/R404



Sliding Door Salad Bar



C256-1



C256-2



C257-1



C257-2

Model	Dimension (mm)	Power (W)	Voltage	Temperature (°C)	Refrigerant
C256-1	1560*800*1450	520	220V/50Hz	2-10	R134/R404
C256-2	1890*800*1450	705	220V/50Hz	2-10	R134/R404
C257-1	1580*800*1380	520	220V/50Hz	2-10	R134/R404
C257-2	1910*800*1380	705	220V/50Hz	2-10	R134/R404



Island Type Sliding-Door Salad Bar



C258-1



C258-2



Model	Dimension (mm)	Power (W)	Voltage	Temperature (°C)	Refrigerant
C258-1	1500*780*1400	480	220V/50Hz	2-10	R134/R404
C258-2	1830*780*1400	705	220V/50Hz	2-10	R134/R404

Double Sides Salad Bar



C259-1



C259-2



Model	Dimension (mm)	Power (W)	Voltage	Temperature (°C)	Refrigerant
C259-1	1580*800*1380	520	220V/50Hz	2-10	R134/R404
C259-2	1910*800*1380	705	220V/50Hz	2-10	R134/R404

Marble Island Type Salad Bar



C260-1



C260-2



C260-3

Model	Dimension (mm)	Power (W)	Voltage	Temperature (°C)	Refrigerant
C260-1	1840*1050*1380	520	220V/50Hz	2-10	R134/R404
C260-2	2170*1050*1380	705	220V/50Hz	2-10	R134/R404
C260-3	2500*1050*1380	980	220V/50Hz	2-10	R134/R404

Luxurious Round Type Salad Bar



C261



C262



Model	Dimension (mm)	Power (W)	Voltage	Temperature (°C)	Refrigerant
C261	1800*1800*1800	705	220V/50Hz	2-10	R134/R404
C262	1600*1600*1800	705	220V/50Hz	2-10	R134/R404

Furnotel

Marble Lift-Up Salad Bar



C263-1



C263-2

Model	Dimension (mm)	Power (W)	Voltage	Temperature (°C)	Refrigerant
C263-1	1830*1050*1500	520	220V/50Hz	2-10	R134/R404
C263-2	2160*1050*1500	705	220V/50Hz	2-10	R134/R404

Furnotel

Square Lift Up Salad Bar



C264-1



C264-2

Model	Dimension (mm)	Power (W)	Voltage	Temperature (°C)	Refrigerant
C264-1	1600*800*1500	480	220V/50Hz	2-10	R134/R404
C264-2	1930*800*1500	520	220V/50Hz	2-10	R134/R404

Furnotel

Double Sides Salad Bar



C265-1



C265-2

Model	Dimension (mm)	Power (W)	Voltage	Temperature (°C)	Refrigerant
C265-1	1570*800*1380	520	220V/50Hz	2-10	R134/R404
C265-2	1900*800*1380	705	220V/50Hz	2-10	R134/R404



C266-1



C266-2

Model	Dimension (mm)	Power (W)	Voltage	Temperature (°C)	Refrigerant
C266-1	1500*750*1220	480	220V/50Hz	2-10	R134/R404
C266-2	1930*800*1500	520	220V/50Hz	2-10	R134/R404



C267-1



C267-2

Model	Dimension (mm)	Power (W)	Voltage	Temperature (°C)	Refrigerant
C267-1	1570*800*1380	520	220V/50Hz	2-10	R134/R404
C267-2	1900*800*1380	705	220V/50Hz	2-10	R134/R404



Marble Lift-Up Salad Bar

Application: Food (meat , fish , seafood, vegetables...), medicine, chemical, etc

Materials: SS304 or Color Steel Plate

Volume: 10m³~90m³ (can be customized)

Panel thickness: 33.44sq.m/100mm

Temperature range: 0~10°C(chiller), -18°C~ -25°C(freezer)

The cold storage use 100mm double-side color steel PU panel

Copeland compressor, power 2-15HP, 220/380V, 50Hz/60Hz

Environmental protection R404a/R134a/R22 refrigerants

Temperature adjustable

Including controller systems, lamp, electromagnetic valve, pipe whole set cooling system



Copeland compressor unit with air cooling condenser



Evaporator (cooling fan)



Electrical box



Copper pipe for connection evaporator and compressor unit



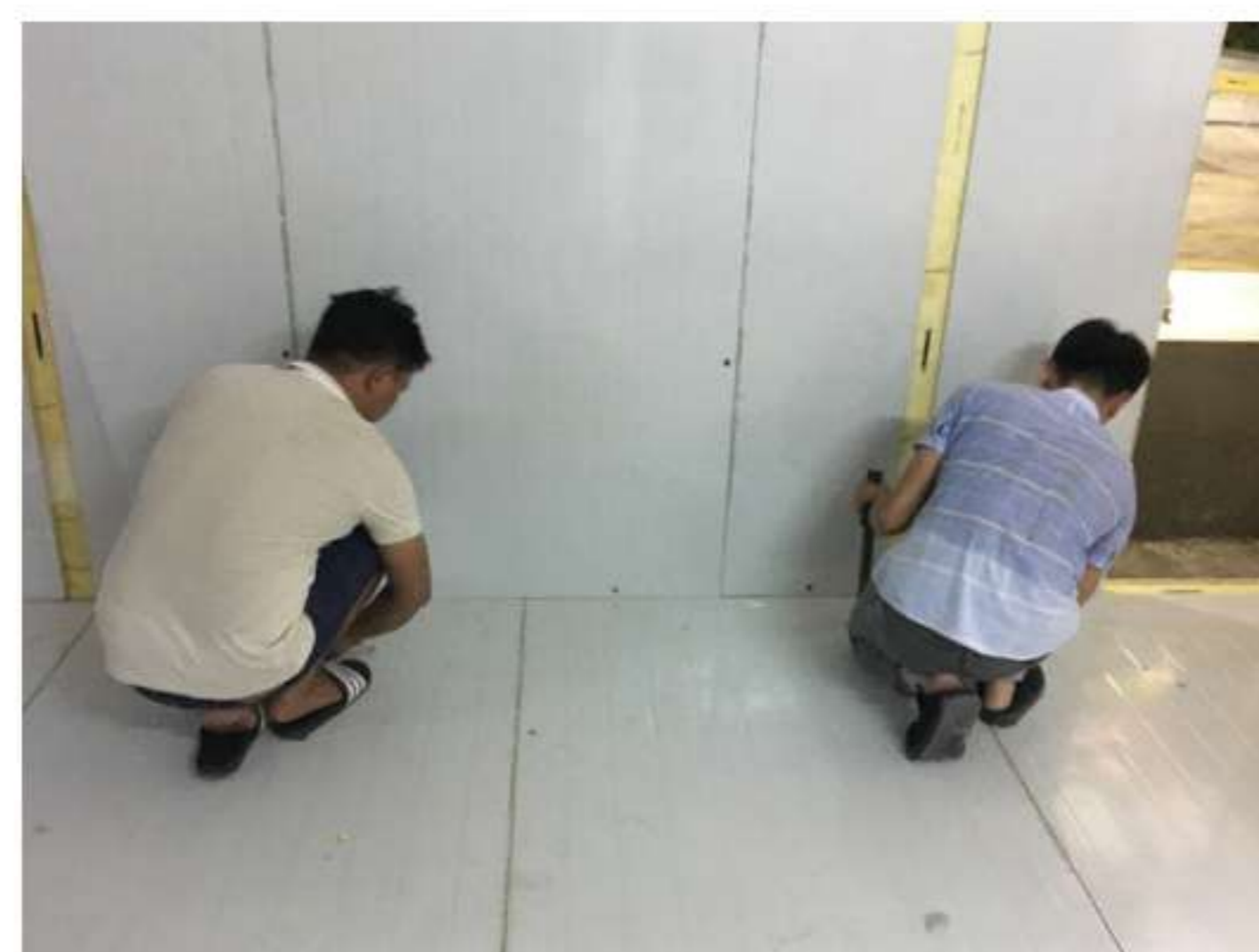
Panel



Door



Cold room panels installation



Cold room panels installation



Compressor unit installation



Commissioning



Delicatessen
+2°C/+10°C



Meat
+1°C/+2°C



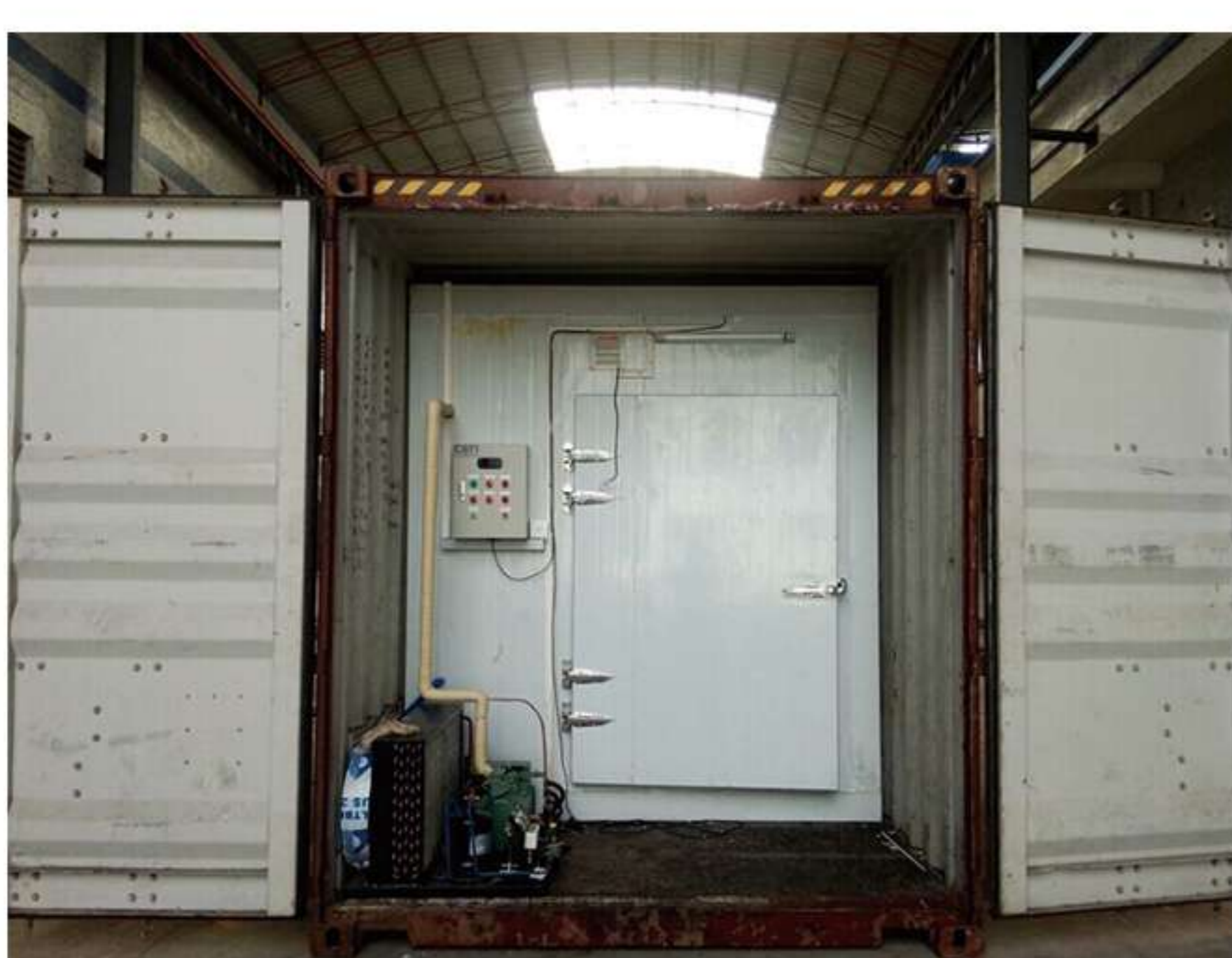
Frozen Foods
-20°C/-25°C



Dairy Products
+1°C/+4°C



Vegetables
+4°C/+6°C



Modular Cold Room

Containerized cold room design in 3D, we design compressor unit installed inside container, that is why in our quotation list cold room length is 10500mm, the 1500 mm space for unit installation. And electrical box will stick on panel. Door to be hinged door.

Walk-In Chiller

Model	Outside Dimension (mm)	Inside Dimension (mm)	Temperature	Volume (m ³)	Insulation Panel (sq.m/100mm)	Compressor	Door Size (mm)
R388-1	2000*2000*2500	1800*1800*2200	0~10°C	10	33.44	2HP COPELAND	800*1800
R388-2	3000*2700*2500	2800*2500*2200	0~10°C	20	53.04	2HP COPELAND	800*1800
R388-3	4000*3000*2500	3800*2800*2200	0~10°C	30	70	3HP COPELAND	800*1800
R388-4	4000*4000*2500	3800*3800*2200	0~10°C	40	85.04	5HP COPELAND	800*1800
R388-5	5000*4000*2500	4800*3800*2200	0~10°C	50	85.04	5HP COPELAND	800*1800
R388-6	6000*4000*2500	5800*3800*2200	0~10°C	60	85.04	8HP COPELAND	800*1800
R388-7	5600*5000*2500	5400*4800*2200	0~10°C	70	85.04	8HP COPELAND	800*1800
R388-8	6400*5000*2500	6200*4800*2200	0~10°C	80	85.04	8HP COPELAND	800*1800
R388-9	6000*6000*2500	5800*5800*2200	0~10°C	90	85.04	10HP COPELAND	800*1800
R095-1	2000*2000*2500	1800*1800*2200	0~10°C	10	33.44	2HP COPELAND	800*1800
R095-2	3000*2700*2500	2800*2500*2200	0~10°C	20	53.04	2HP COPELAND	800*1800
R095-3	4000*3000*2500	3800*2800*2200	0~10°C	30	70	3HP COPELAND	800*1800
R095-4	4000*4000*2500	3800*3800*2200	0~10°C	40	85.04	5HP COPELAND	800*1800
R095-5	5000*4000*2500	4800*3800*2200	0~10°C	50	85.04	5HP COPELAND	800*1800
R095-6	6000*4000*2500	5800*3800*2200	0~10°C	60	85.04	8HP COPELAND	800*1800
R095-7	5600*5000*2500	5400*4800*2200	0~10°C	70	85.04	8HP COPELAND	800*1800
R095-8	6400*5000*2500	6200*4800*2200	0~10°C	80	85.04	8HP COPELAND	800*1800
R095-9	6000*6000*2500	5800*5800*2200	0~10°C	90	85.04	10HP COPELAND	800*1800

Walk-In Freezer

Model	Outside Dimension (mm)	Inside Dimension (mm)	Temperature	Volume (m ³)	Insulation Panel (sq.m/100mm)	Compressor	Door Size (mm)
R388-10	2000*2000*2500	1800*1800*2200	-18°C	10	33.44	2HP COPELAND	800*1800
R388-11	3000*2700*2500	2800*2500*2200	-18°C	20	53.04	3HP COPELAND	800*1800
R388-12	4000*3000*2500	3800*2800*2200	-18°C	30	70	5HP COPELAND	800*1800
R388-13	4000*4000*2500	3800*3800*2200	-18°C	40	85.04	8HP COPELAND	800*1800
R388-14	5000*4000*2500	4800*3800*2200	-18°C	50	85.04	8HP COPELAND	800*1800
R388-15	6000*4000*2500	5800*3800*2200	-18°C	60	85.04	10HP COPELAND	800*1800
R388-16	5600*5000*2500	5400*4800*2200	-18°C	70	85.04	10HP COPELAND	800*1800
R388-17	6400*5000*2500	6200*4800*2200	-18°C	80	85.04	12HP COPELAND	800*1800
R388-18	6000*6000*2500	5800*5800*2200	-18°C	90	85.04	15HP COPELAND	800*1800
R095-10	2000*2000*2500	1800*1800*2200	-18°C	10	33.44	2HP COPELAND	800*1800
R095-11	3000*2700*2500	2800*2500*2200	-18°C	20	53.04	3HP COPELAND	800*1800
R095-12	4000*3000*2500	3800*2800*2200	-18°C	30	70	5HP COPELAND	800*1800
R095-13	4000*4000*2500	3800*3800*2200	-18°C	40	85.04	8HP COPELAND	800*1800
R095-14	5000*4000*2500	4800*3800*2200	-18°C	50	85.04	8HP COPELAND	800*1800
R095-15	6000*4000*2500	5800*3800*2200	-18°C	60	85.04	10HP COPELAND	800*1800
R095-16	5600*5000*2500	5400*4800*2200	-18°C	70	85.04	10HP COPELAND	800*1800
R095-17	6400*5000*2500	6200*4800*2200	-18°C	80	85.04	12HP COPELAND	800*1800
R095-18	6000*6000*2500	5800*5800*2200	-18°C	90	85.04	15HP COPELAND	800*1800

Walk-In Chiller

Model	Outside Dimension (mm)	Inside Dimension (mm)	Temperature	Volume (m ³)	Insulation Panel (sq.m/100mm)	Compressor	Door Size (mm)
R388-1	2000*2000*2500	1800*1800*2200	0~10°C	10	33.44	2HP COPELAND	800*1800
R388-2	3000*2700*2500	2800*2500*2200	0~10°C	20	53.04	2HP COPELAND	800*1800
R388-3	4000*3000*2500	3800*2800*2200	0~10°C	30	70	3HP COPELAND	800*1800
R388-4	4000*4000*2500	3800*3800*2200	0~10°C	40	85.04	5HP COPELAND	800*1800
R388-5	5000*4000*2500	4800*3800*2200	0~10°C	50	85.04	5HP COPELAND	800*1800
R388-6	6000*4000*2500	5800*3800*2200	0~10°C	60	85.04	8HP COPELAND	800*1800
R388-7	5600*5000*2500	5400*4800*2200	0~10°C	70	85.04	8HP COPELAND	800*1800
R388-8	6400*5000*2500	6200*4800*2200	0~10°C	80	85.04	8HP COPELAND	800*1800
R388-9	6000*6000*2500	5800*5800*2200	0~10°C	90	85.04	10HP COPELAND	800*1800
R095-1	2000*2000*2500	1800*1800*2200	0~10°C	10	33.44	2HP COPELAND	800*1800
R095-2	3000*2700*2500	2800*2500*2200	0~10°C	20	53.04	2HP COPELAND	800*1800
R095-3	4000*3000*2500	3800*2800*2200	0~10°C	30	70	3HP COPELAND	800*1800
R095-4	4000*4000*2500	3800*3800*2200	0~10°C	40	85.04	5HP COPELAND	800*1800
R095-5	5000*4000*2500	4800*3800*2200	0~10°C	50	85.04	5HP COPELAND	800*1800
R095-6	6000*4000*2500	5800*3800*2200	0~10°C	60	85.04	8HP COPELAND	800*1800
R095-7	5600*5000*2500	5400*4800*2200	0~10°C	70	85.04	8HP COPELAND	800*1800
R095-8	6400*5000*2500	6200*4800*2200	0~10°C	80	85.04	8HP COPELAND	800*1800
R095-9	6000*6000*2500	5800*5800*2200	0~10°C	90	85.04	10HP COPELAND	800*1800

Walk-In Freezer

Model	Outside Dimension (mm)	Inside Dimension (mm)	Temperature	Volume (m ³)	Insulation Panel (sq.m/100mm)	Compressor	Door Size (mm)
R388-10	2000*2000*2500	1800*1800*2200	-18°C	10	33.44	2HP COPELAND	800*1800
R388-11	3000*2700*2500	2800*2500*2200	-18°C	20	53.04	3HP COPELAND	800*1800
R388-12	4000*3000*2500	3800*2800*2200	-18°C	30	70	5HP COPELAND	800*1800
R388-13	4000*4000*2500	3800*3800*2200	-18°C	40	85.04	8HP COPELAND	800*1800
R388-14	5000*4000*2500	4800*3800*2200	-18°C	50	85.04	8HP COPELAND	800*1800
R388-15	6000*4000*2500	5800*3800*2200	-18°C	60	85.04	10HP COPELAND	800*1800
R388-16	5600*5000*2500	5400*4800*2200	-18°C	70	85.04	10HP COPELAND	800*1800
R388-17	6400*5000*2500	6200*4800*2200	-18°C	80	85.04	12HP COPELAND	800*1800
R388-18	6000*6000*2500	5800*5800*2200	-18°C	90	85.04	15HP COPELAND	800*1800
R095-10	2000*2000*2500	1800*1800*2200	-18°C	10	33.44	2HP COPELAND	800*1800
R095-11	3000*2700*2500	2800*2500*2200	-18°C	20	53.04	3HP COPELAND	800*1800
R095-12	4000*3000*2500	3800*2800*2200	-18°C	30	70	5HP COPELAND	800*1800
R095-13	4000*4000*2500	3800*3800*2200	-18°C	40	85.04	8HP COPELAND	800*1800
R095-14	5000*4000*2500	4800*3800*2200	-18°C	50	85.04	8HP COPELAND	800*1800
R095-15	6000*4000*2500	5800*3800*2200	-18°C	60	85.04	10HP COPELAND	800*1800
R095-16	5600*5000*2500	5400*4800*2200	-18°C	70	85.04	10HP COPELAND	800*1800
R095-17	6400*5000*2500	6200*4800*2200	-18°C	80	85.04	12HP COPELAND	800*1800
R095-18	6000*6000*2500	5800*5800*2200	-18°C	90	85.04	15HP COPELAND	800*1800



1-Plate / 2-Plate Electric Crepe Maker



FSECM-0505



FSECM-0905

- Cast-iron plate 400 mm, non-stick surface
- High power output for commercial use
- Built with stainless steel base
- Adjustable thermostat from 60°C to 300°C
- 2 tube heating elements for perfect heat distribution

Model	Dimension (mm)	Electrical	Weight (kg)	Material
FSECM-0505	450*485*235	220V/50Hz/3kW	21	Stainless Steel 201/1.0mm
FSECM-0905	860*485*235	220V/50Hz/3kW	36.5	Stainless Steel 201/1.0mm



Automatic Orange Juice Machine



FSOJ-0403



FSOJ-0403N



FSOJ-0404



FSOJ-0404N



FSOJ-0606

Model	Dimension (mm)	Electrical	Feeder Capacity (kg)	Net Weight (kg)	Diameter of Orange (mm)	Productivity (Orange/min)
FSOJ-0403	400*300*780	220V/50Hz/120W	5-6	45	40-90	20
FSOJ-0403N	400*300*780	220V/50Hz/120W	5-6	55	40-90	20
FSOJ-0404	400*450*900	220V/50Hz/120W	15-18	55	40-90	25
FSOJ-0404N	400*450*930	220V/50Hz/120W	15-18	50	40-90	25
FSOJ-0606	660*640*1720	220V/50Hz/370W	15-18	85	40-90	25

Electric Hot Dog Machine
5/7-Roller Hot Dog Grill



FSEHG-0405



FSEHG-0602



FSEHG-0603

Model	Dimension (mm)	Voltage	Power (W)	Rollers	Net Weight	Material
FSEHG-0405	390*467*300	220V/50Hz	690	/	/	Stainless Steel 304
FSEHG-0602	580*225*225	220V-240V/50-60Hz	430	5	7	Stainless Steel 304
FSEHG-0603	580*305*225	220V-240V/50-60Hz	590	7	13	Stainless Steel 304

2/6-Section Waffle Baker



FSEMM-0304



FSEWM-0304A

- Stainless steel body with L-shaped design
- Durable bake plate with sufficient large baking area
- Regulation by thermostat, constant temperature heating
- Non-stick coating surface, easy cleaning

Model	Dimension (mm)	Voltage	Power (kW)
FSEMM-0304	320*380*266	220V/50Hz	2
FSEWM-0304A	310*380*255	220V/50Hz	2

Furnotel

Electric Conveyor Toaster



FSECT-0404

- Wide conveyor belt with a maintenance free drive system
- Adjustable conveyor speed for color control
- Up to 250 slices per hour
- Material: stainless steel
- Adjustable legs

Model	Dimension (mm)	Power (kW)	Voltage
FSECT-0404	368*418*400	2.3	220V/50Hz

25L / 35L Single Tank Electric Open Fryer
25L / 35L Single Tank Electric Open Fryer with Knob Control



K1521-1



K1521-2



K1521-3



K1521-4

Model	Dimension (mm)	Electrical	Weight (kg)	Capacity (L)	Temperature range (°C)	Channel (°C)
K1521-1	450*600*935	1N-220-240V/6.75kW	30	25	0~190	6
K1521-2	550*600*935	1N-220-240V/6.75kW	33	35	0~190	/
K1521-3	450*600*935	1N-220-240V/6.75kW	30	25	0~190	/
K1521-4	450*600*935	1N-220-240V/6.75kW	30	35	0~190	/

High Power 56L / 56L 2-Tank 4-Basket Electric Open Fryer with Oil Filter Cart



K1522-1



K1522-2

Model	Dimension (mm)	Electrical	Weight (kg)	Capacity (L)	Temperature range (°C)
K1522-1	800*800*1170	220-240V/50Hz/9kW*2	105	28L*2	0~190
K1522-2	800*800*1170	220-240V/50Hz/18kW*2	105	28L*2	0~190

High Power 28L / 28L Electric 1-Tank 2-Basket Open Fryer

High Power 28L / 28L Electric 1-Tank 2-Basket Open Fryer with Oil Filter Cart



Model	Dimension (mm)	Electrical	Weight (kg)	Capacity (L)	Temperature range (°C)
K602-1	400*800*1100	220V/50Hz/9kW	40	28	0~190
K602-2	400*800*1100	380V/50Hz/18kW	40	28	0~190
K602-3	400*800*1140	380V/50Hz/18kW	65	28	0~190
K602-4	400*800*1140	220V/50Hz/9kW	65	28	0~190

28L 1-Tank / 28L 2-Tank 2-Baske Electric Open Fryer with Knob Control



Model	Dimension (mm)	Electrical	Weight (kg)	Capacity (L)	Temperature range (°C)
K810-1	400*800*1100	380V/50Hz/18kW	40	28	0~190
K810-2	650*800*1100	380V/50Hz/18kW	40	28L*2	0~190

High Power 28L / 28L 2-Tank 2-Basket Electric Open Fryer



Model	Dimension (mm)	Electrical	Weight (kg)	Capacity (L)	Temperature range (°C)
K811-1	400*800*1100	220V/50Hz/9kW	40	14L*2	0~190
K811-2	400*800*1100	380V/50Hz/18kW	40	14L*2	0~190

21L / 30L 1-Tank / 30L 2-Tank 2-Basket Gas Open Fryer



K812-1



K812-2



K812-3

Model	Dimension (mm)	Gas Consumption (Btu/hr)	Weight (kg)	Capacity (L)	Temperature range (°C)
K812-1	380*720*1030	30717	45	21	0~190
K812-2	480*715*1050	61434	55	30	0~190
K812-3	480*715*1050	61434	58	15L*2	0~190

28L Automatic Lift-up Electric 1-Tank 1-Basket Open Fryer With Oil Filter Cart



K602-5

Model	Dimension (mm)	Electrical	Weight (kg)	Capacity (L)	Temperature range (°C)
K602-5	400*800*935/1160	380V/50Hz/17kW	45	28	50~200

25L 1-Tank 2-Basket Electric Open Fryer with Built-in Filter System
 50L 2-Tank 4-Basket Electric Open Fryer with Built-in Filter System
 75L Electric 3-Tank 6-Basket Open Fryer with Built-in Filter System



K645-1



K646-1



K960-1

Model	Dimension (mm)	Electrical	Weight (kg)	Capacity (L)	Temperature range (°C)
K645-1	950*500*1230	3N-380V/50Hz/14.2kW	108	25	0~190
K646-1	882*949*1180	3N-380V/50Hz/27.7kW	185	25L*2	0~190
K960-1	1323*949*1180	3N~380V/50Hz/41.2kW	237	25L*3	0~190

25L 1-Tank 2-Basket Gas Open Fryer with Built-in Filter System
 50L 2-Tank 4 Baskets Gas Open Fryer with Built-in Filter System
 75L Gas 3-Tank 6-Basket Open Fryer with Built-in Filter System



K645-2



K646-2



K960-2

Model	Dimension (mm)	Voltage	Weight (kg)	Capacity (L)	Temperature range (°C)
K645-2	440*900*1130	220V/50Hz	138	25	0~190
K646-2	850*900*1130	220V/50Hz	212	25L*2	0~190
K960-2	1250*900*1130	220V/50Hz	279	25L*3	0~190

25L Electric 1-Tank 2-Basket Open Fryer with LCD Control Panel and Built-in Filter System
 50L Electric 2-Tank 4-Basket Open Fryer with LCD Control Panel and Built-in Filter System
 75L Electric 3-Tank 6-Basket Open Fryer with LCD Control Panel and Built-In Filter System



K961-1



K962-1



K963-1

Model	Dimension (mm)	Electrical	Weight (kg)	Capacity (L)	Temperature range (°C)
K961-1	441*949*1180	3N~380V/50Hz/14.2kW	108	25	0~190
K962-1	882*949*1180	3N-380V/50Hz/27.7kW	185	25L*2	0~190
K963-1	1250*900*1130	3N~380V/50Hz/41.2kW	237	25L*3	0~190

25L Gas 1-Tank 2-Basket Open Fryer with LCD Control Panel and Built-in Filter System
 50L Gas 2-Tank 4-Basket Open Fryer with LCD Control Panel and Built-in Filter System
 75L Gas 3-Tank 6-Basket Open Fryer with LCD Control Panel and Built-In Filter System



K961-2



K962-2



K963-2

Model	Dimension (mm)	Voltage	Weight (kg)	Capacity (L)	Temperature range (°C)
K961-2	440*900*1130	220V/50Hz	138	25	0~190
K962-2	882*949*1180	220V/50Hz	168	25L*2	0~190
K963-2	1250*900*1130	220V/50Hz	279	25L*3	0~190

26L Electric 2-Tank 2-Basket Open Fryer with Built-in Filter System
 52L Electric 4-Tank 4-Basket Open Fryer with Built-in Filter System



K964-1



K964-2

Model	Dimension (mm)	Electrical	Weight (kg)	Capacity (L)	Temperature range (°C)
K964-1	890*515*1015	3N~380V/50Hz/7kW*2	138	13L*2	0~190
K964-2	1780*515*1015	3N~380V/50Hz/7kW*4	156	13L*4	0~190

17L Counter Top Electric Fryer with Knob Control
30L Counter Top Electric Fryer with Digital Control



K1523



K1524

Model	Dimension (mm)	Electrical	Weight (kg)	Capacity (L)	Temperature range (°C)
K1523	500*500*490	220-240V/50Hz/5kW	22	17	0~190
K1524	455*680*500	220-240V/50Hz/6kW	20	30	0~190

14L / 28L Counter Top 1-Tank 1-Basket Electric Fryer with Digital Control



K1525-1



K1525-2

Model	Dimension (mm)	Electrical	Weight (kg)	Capacity (L)	Temperature range (°C)
K1525-1	335*580*410	220-240V/50Hz/4.5kW	10	14	0~190
K1525-2	665*580*410	220-240V/50Hz/4.5kW*2	20	14L*2	0~190

8L / 12L Counter Top Automatic Lift-up Electric Fryer with Digital Control




K600-1



K600-2

Model	Dimension (mm)	Electrical	Weight (kg)	Capacity (L)	Temperature range (°C)
K600-1	265*565*300/415	230V/50Hz/3kW	12	8	50~200
K600-2	355*565*300/415	230V/50Hz/3kW	16	12	50~200

-  24L Electric Pressure Fryer with Digital Control and Built-In Oil Filter System
- 24L Electric Pressure Fryer with LCD Control Panel and Built-In Oil Filter System
- 24L Electric Pressure Fryer with Knob Control and Built-In Oil Filter System
- 24L Electric Pressure Fryer with Knob Control



Model	Dimension (mm)	Electrical	Weight (kg)	Capacity (L)	Temperature range (°C)	Oil Filter System
K529-1	960*460*1230	220V/50Hz/13.5kW	135	24	20-200	YES
K530-1	960*460*1230	220V/50Hz/13.5kW	135	24	20-200	YES
K531-1	960*460*1230	220V/50Hz/13.5kW	135	24	20~200	YES
K533	960*460*1230	220V/50Hz/13.5kW	110	24	20~200	YES

-  24L Gas Pressure Fryer with Digital Control and Built-In Oil Filter System
- 24L Gas Pressure Fryer with LCD Control Panel and Built-In Oil Filter System
- 24L Gas Pressure Fryer with Knob Control and Built-In Oil Filter System
- 24L Gas Pressure Fryer with Knob Control



Model	Dimension (mm)	Gas Consumption (kg/h)	Weight (kg)	Capacity (L)	Temperature range (°C)	Oil Filter System
K529-2	460*960*1230	0.48	135	24	20-200	YES
K530-2	460*960*1230	0.48	135	24	20-200	YES
K531-2	460*960*1230	0.48	135	24	20~200	YES
K534	960*460*1230	0.48	110	24	20~200	/

24L Electric / Gas Pressure Fryer and Built-In Oil Filter System



K536-1



K536-2

Model	Dimension (mm)	Electrical	Gas Consumption (kg/h)	Weight (kg)	Capacity (L)	Temperature range (°C)	Oil Filter System
K536-1	960*460*1230	220V/50Hz/13.5kW	/	135	24	20-200	YES
K536-2	460*960*1230	/	0.48	135	24	20-200	YES

16L Counter Top Electric Pressure Fryer with Knob Control



EFC-30L

Model	Dimension (mm)	Electrical	Weight (kg)	Capacity (L)	Temperature range (°C)	Oil Filter System
K535	350*400*500	220V/50Hz/3kW	18	16	20-200	YES

Electric / Gas Pressure Fryer With Computer Version



K529-1



K529-2

Model	Dimension (mm)	Capacity (L)	Voltage	Power (kW)	Gas Consumption	Temp Range (°C)	Weigh (kg)	Oil Filter System
K529-1	390*467*300	24	220V/50HZ	13.5	/	20-200	135	YES
K529-2	390*467*300	24	220V/50HZ	13.5	/	20-200	135	YES

Electric / Gas Pressure Fryer With Computer Version



K530-1



K530-2



K530-2

Model	Dimension (mm)	Capacity (L)	Voltage	Power (kW)	Gas Consumption	Temp Range (°C)	Weigh (kg)	Oil Filter System
K530-1	390*467*300	24	220V/50HZ	13.5	/	20-200	135	YES
K530-2	390*467*300	24	220V/50HZ	13.5	/	20-200	135	YES
K530-2	390*467*300	24	220V/50HZ	13.5	/	20-200	135	YES

40L Assembled Fryer Oil Filter Cart with Reversible Pump

50L Fryer Oil Filter Cart with Reversible Pump



K791-3



K1520

Model	Dimension (mm)	Electrical	Weight (kg)	Capacity (L)	Size of Filter Paper (mm)
K791-3	480*500*820	220V/50Hz/0.37kW	34	40	440*350
K1520	800*450*760	220V/50Hz/0.37kW	42	50	800*440

Electric / Gas Pressure Fryer With Computer Version



K1518



K1519



K359

Model	Dimension (mm)	Capacity (L)	Voltage	Power (kW)	Gas Consumption	Temp Range (°C)	Weigh (kg)	Oil Filter System
K529-1	390*467*300	24	220V/50HZ	13.5	/	20-200	135	YES
K529-2	390*467*300	24	220V/50HZ	13.5	/	20-200	135	YES
K529-2	390*467*300	24	220V/50HZ	13.5	/	20-200	135	YES

Electric / Gas Pressure Fryer With Computer Version



K813-1



K813-2

Model	Dimension (mm)	Capacity (L)	Voltage	Power (kW)	Gas Consumption	Temp Range (°C)	Weigh (kg)	Oil Filter System
K529-1	390*467*300	24	220V/50HZ	13.5	/	20-200	135	YES
K529-2	390*467*300	24	220V/50HZ	13.5		20-200	135	YES

Electric / Gas Pressure Fryer With Computer Version



K814-1



K814-2

Model	Dimension (mm)	Capacity (L)	Voltage	Power (kW)	Gas Consumption	Temp Range (°C)	Weigh (kg)	Oil Filter System
K529-1	390*467*300	24	220V/50HZ	13.5	/	20-200	135	YES
K529-2	390*467*300	24	220V/50HZ	13.5	/	20-200	135	YES

Electric Conveyor Toaster



K600-1



K600-2

Model	Dimension (mm)	Power (kW)	Voltage
FSECT-0404	368*418*400	2.3	220V/50Hz
FSECT-0404	368*418*400	2.3	220V/50Hz

Electric Conveyor Toaster



K600-1



K600-2

Model	Dimension (mm)	Power (kW)	Voltage
FSECT-0404	368*418*400	2.3	220V/50Hz
FSECT-0404	368*418*400	2.3	220V/50Hz

Electric Conveyor Toaster



K1501-1

Model	Dimension (mm)	Power (kW)	Voltage
FSECT-0404	368*418*400	2.3	220V/50Hz

Electric / Gas Pressure Fryer With Computer Version



K815-1



K815-2



K815-3

Model	Dimension (mm)	Capacity (L)	Voltage	Power (kW)	Gas Consumption	Temp Range (°C)	Weigh (kg)	Oil Filter System
K529-1	390*467*300	24	220V/50HZ	13.5	/	20-200	135	YES
K529-2	390*467*300	24	220V/50HZ	13.5	/	20-200	135	YES
K529-2	390*467*300	24	220V/50HZ	13.5	/	20-200	135	YES

Electric / Gas Pressure Fryer With Computer Version



K816-1



K816-2



K816-3

Model	Dimension (mm)	Capacity (L)	Voltage	Power (kW)	Gas Consumption	Temp Range (°C)	Weigh (kg)	Oil Filter System
K529-1	390*467*300	24	220V/50HZ	13.5	/	20-200	135	YES
K529-2	390*467*300	24	220V/50HZ	13.5		20-200	135	YES

STAINLESS STEEL WORK TABLE



Work Table With Undershef
600/700/800mm Width

Type:Assembly
Thickness:1.0mm(CN1.2mm)



Work Table With Backsplash
600/700/800mm Width

Type:Assembly
Thickness:1.0mm(CN1.2mm)
Backsplash:100mm

Dimension (mm)	Model	Price (\$)	Dimension (mm)	Model	Price (\$)	Dimension (mm)	Model	Price (\$)
Material 304			Material 304			Material 304		
600*600*850	TS002-1	380	600*700*850	TS002-8	420	600*800*850	TS002-15	420
900*600*850	TS002-2	460	900*700*850	TS002-9	520	900*800*850	TS002-16	520
1200*600*850	TS002-3	493	1200*700*850	TS002-10	560	1200*800*850	TS002-17	560
1500*600*850	TS002-4	547	1500*700*850	TS002-11	640	1500*800*850	TS002-18	640
1800*600*850	TS002-5	620	1800*700*850	TS002-12	707	1800*800*850	TS002-19	707
2100*600*850	TS002-6	740	2100*700*850	TS002-13	874	2100*800*850	TS002-20	874
2400*600*850	TS002-7	794	2400*700*850	TS002-14	954	2400*800*850	TS002-21	954
Material 201			Material 201			Material 201		
600*600*850	S002-1	260	600*700*850	S002-8	297	600*800*850	S002-15	297
900*600*850	S002-2	303	900*700*850	S002-9	334	900*800*850	S002-16	334
1200*600*850	S002-3	328	1200*700*850	S002-10	365	1200*800*850	S002-17	365
1500*600*850	S002-4	371	1500*700*850	S002-11	408	1500*800*850	S002-18	408
1800*600*850	S002-5	403	1800*700*850	S002-12	458	1800*800*850	S002-19	458
2100*600*850	S002-6	489	2100*700*850	S002-13	526	2100*800*850	S002-20	526
2400*600*850	S002-7	520	2400*700*850	S002-14	570	2400*800*850	S002-21	570

Dimension (mm)	Model	Price (\$)	Dimension (mm)	Model	Price (\$)	Dimension (mm)	Model	Price (\$)
Material 304			Material 304			Material 304		
600*600*850	TS004-1	413	600*700*850	TS004-8	453	600*800*850	TS004-15	453
900*600*850	TS004-2	493	900*700*850	TS004-9	553	900*800*850	TS004-16	553
1200*600*850	TS004-3	527	1200*700*850	TS004-10	593	1200*800*850	TS004-17	593
1500*600*850	TS004-4	580	1500*700*850	TS004-11	674	1500*800*850	TS004-18	674
1800*600*850	TS004-5	653	1800*700*850	TS004-12	740	1800*800*850	TS004-19	740
2100*600*850	TS004-6	774	2100*700*850	TS004-13	914	2100*800*850	TS004-20	914
2400*600*850	TS004-7	827	2400*700*850	TS004-14	987	2400*800*850	TS004-21	987
Material 201			Material 201			Material 201		
600*600*850	S004-1	291	600*700*850	S004-8	328	600*800*850	S004-15	328
900*600*850	S004-2	334	900*700*850	S004-9	365	900*800*850	S004-16	365
1200*600*850	S004-3	359	1200*700*850	S004-10	396	1200*800*850	S004-17	396
1500*600*850	S004-4	402	1500*700*850	S004-11	439	1500*800*850	S004-18	439
1800*600*850	S004-5	433	1800*700*850	S004-12	489	1800*800*850	S004-19	489
2100*600*850	S004-6	520	2100*700*850	S004-13	557	2100*800*850	S004-20	557
2400*600*850	S004-7	551	2400*700*850	S004-14	601	2400*800*850	S004-21	601



Work Table With 2-Layer Undershef
600/700/800mm Width

Type:Assembly
Thickness:1.0mm(CN1.2mm)



Mobile Work Table With 2-Layer Undershef
600/700/800mm Width

Type:Assembly
Thickness:1.0mm(CN1.2mm)

Dimension (mm)	Model	Price (\$)	Dimension (mm)	Model	Price (\$)	Dimension (mm)	Model	Price (\$)
Material 304			Material 304			Material 304		
900*600*850	TS005-1	640	900*700*850	TS005-7	653	900*800*850	TS005-13	654
1200*600*850	TS005-2	687	1200*700*850	TS005-8	720	1200*800*850	TS005-14	720
1500*600*850	TS005-3	760	1500*700*850	TS005-9	834	1500*800*850	TS005-15	834
1800*600*850	TS005-4	854	1800*700*850	TS005-10	934	1800*800*850	TS005-16	934
2100*600*850	TS005-5	1007	2100*700*850	TS005-11	1134	2100*800*850	TS005-17	1134
2400*600*850	TS005-6	1087	2400*700*850	TS005-12	1247	2400*800*850	TS005-18	1247
Material 201			Material 201			Material 201		
900*600*850	S005-1	378	900*700*850	S005-7	421	900*800*850	S005-13	421
1200*600*850	S005-2	415	1200*700*850	S005-8	458	1200*800*850	S005-14	458
1500*600*850	S005-3	464	1500*700*850	S005-9	526	1500*800*850	S005-15	526
1800*600*850	S005-4	508	1800*700*850	S005-10	594	1800*800*850	S005-16	594
2100*600*850	S005-5	613	2100*700*850	S005-11	681	2100*800*850	S005-17	681
2400*600*850	S005-6	656	2400*700*850	S005-12	749	2400*800*850	S005-18	749

Dimension (mm)	Model	Price (\$)	Dimension (mm)	Model	Price (\$)	Dimension (mm)	Model	Price (\$)
Material 304			Material 304			Material 304		
900*600*850	TS006-1	640	900*700*850	TS006-7	720	900*800*850	TS006-13	720
1200*600*850	TS006-2	687	1200*700*850	TS006-8	787	1200*800*850	TS006-14	787
1500*600*850	TS006-3	760	1500*700*850	TS006-9	900	1500*800*850	TS006-15	900
1800*600*850	TS006-4	854	1800*700*850	TS006-10	1001	1800*800*850	TS006-16	1001
2100*600*850	TS006-5	1007	2100*700*850	TS006-11	1201	2100*800*850	TS006-17	1201
2400*600*850	TS006-6	1087	2400*700*850	TS006-12	1314	2400*800*850	TS006-18	1314
Material 201			Material 201			Material 201		
900*600*850	S006-1	439	900*700*850	S006-7	483	900*800*850	S006-13	483
1200*600*850	S006-2	477	1200*700*850	S006-8	520	1200*800*850	S006-14	520
1500*600*850	S006-3	526	1500*700*850	S006-9	588	1500*800*850	S006-15	588
1800*600*850	S006-4	570	1800*700*850	S006-10	656	1800*800*850	S006-16	656
2100*600*850	S006-5	675	2100*700*850	S006-11	743	2100*800*850	S006-17	743
2400*600*850	S006-6	718	2400*700*850	S006-12	811	2400*800*850	S006-18	811



Mobile Work Table Undershef
600/700mm Width

Type:Assembly
Thickness:1.0mm(CN1.2mm)



Work Table
600/700/800mm Width

Type:Assembly
Thickness:1.0mm(CN1.2mm)

Dimension (mm)	Model	Price (\$)	Dimension (mm)	Model	Price (\$)	Dimension (mm)	Model	Price (\$)
Material 304			Material 304			Material 304		
900*600*850	TS007-1	527	1800*600*850	TS007-4	687	1500*700*850	TS007-7	707
1200*600*850	TS007-2	560	900*700*850	TS007-5	587	1800*700*850	TS007-8	774
1500*600*850	TS007-3	613	1200*700*850	TS007-6	627			
Material 201			Material 201			Material 201		
900*600*850	S007-1	365	1800*600*850	S007-4	495	1500*700*850	S007-7	470
1200*600*850	S007-2	390	900*700*850	S007-5	396	1800*700*850	S007-8	520
1500*600*850	S007-3	433	1200*700*850	S007-6	427			

Dimension (mm)	Model	Price (\$)	Dimension (mm)	Model	Price (\$)	Dimension (mm)	Model	Price (\$)
Material 304			Material 304			Material 304		
600*600*850	TS013-1	320	600*700*850	TS013-6	353	600*800*850	TS013-11	353
900*600*850	TS013-2	393	900*700*850	TS013-7	407	900*800*850	TS013-12	407
1200*600*850	TS013-3	420	1200*700*850	TS013-8	440	1200*800*850	TS013-13	440
1500*600*850	TS013-4	460	1500*700*850	TS013-9	487	1500*800*850	TS013-14	487
1800*600*850	TS013-5	493	1800*700*850	TS013-10	527	1800*800*850	TS013-15	527
Material 201			Material 201			Material 201		
600*600*850	S013-1	241	600*700*850	S013-6	254	600*800*850	S013-11	254
900*600*850	S013-2	303	900*700*850	S013-7	334	900*800*850	S013-12	297
1200*600*850	S013-3	328	1200*700*850	S013-8	316	1200*800*850	S013-13	316
1500*600*850	S013-4	371	1500*700*850	S013-9	334	1500*800*850	S013-14	334
1800*600*850	S013-5	378	1800*700*850	S013-10	458	1800*800*850	S013-15	458

STAINLESS STEEL WORK TABLE



Work Table With 2-Layer Overshelf
600/700/800mm Width

Type:Assembly
Thickness:1.0mm(CN1.2mm)

Dimension (mm)	Model	Price (\$)	Dimension (mm)	Model	Price (\$)	Dimension (mm)	Model	Price (\$)
Material 304			Material 304			Material 304		
900*600*850	TS010-1	460	900*700*850	TS010-7	520	900*800*850	TS010-13	520
1200*600*850	TS010-2	493	1200*700*850	TS010-8	560	1200*800*850	TS010-14	560
1500*600*850	TS010-3	547	1500*700*850	TS010-9	640	1500*800*850	TS010-15	640
1800*600*850	TS010-4	620	1800*700*850	TS010-10	707	1800*800*850	TS010-16	707
2100*600*850	TS010-5	740	2100*700*850	TS010-11	874	2100*800*850	TS010-17	874
2400*600*850	TS010-6	794	2400*700*850	TS010-12	954	2400*800*850	TS010-18	954
Material 201			Material 201			Material 201		
900*600*850	S010-1	303	900*700*850	S010-7	334	900*800*850	S010-13	334
1200*600*850	S010-2	328	1200*700*850	S010-8	365	1200*800*850	S010-14	365
1500*600*850	S010-3	371	1500*700*850	S010-9	408	1500*800*850	S010-15	408
1800*600*850	S010-4	433	1800*700*850	S010-10	458	1800*800*850	S010-16	458
2100*600*850	S010-5	489	2100*700*850	S010-11	526	2100*800*850	S010-17	526
2400*600*850	S010-6	520	2400*700*850	S010-12	570	2400*800*850	S010-18	570



2-Layer Overshelf
300mm Width

Type:Assembly
Thickness:1.0mm(CN1.2mm)

Dimension (mm)	Model	Price (\$)	Dimension (mm)	Model	Price (\$)	Dimension (mm)	Model	Price (\$)
Material 304			Material 304			Material 304		
900*300*750	TS017-1	273	1500*300*750	TS017-3	306	2100*300*750	TS017-5	353
1200*300*750	TS017-2	286	1800*300*750	TS017-4	327	2400*300*750	TS017-6	380
Material 201			Material 201			Material 201		
900*300*750	S017-1	161	1500*300*750	S017-3	196	2100*300*750	S017-5	229
1200*300*750	S017-2	173	1800*300*750	S017-4	210	2400*300*750	S017-6	254



Waste Collector Work Table
600/700mm Width

Type:Assembly
Thickness:1.0mm(CN1.2mm)
Backsplash:100mm

Dimension (mm)	Model	Price (\$)	Dimension (mm)	Model	Price (\$)	Dimension (mm)	Model	Price (\$)
Material 304			Material 304			Material 304		
900*600*850	TS019-1	420	2100*600*850	TS019-6	540	1500*700*850	TS019-8	533
1200*600*850	TS019-2	440	900*700*850	TS019-5	453	1800*700*850	TS019-9	573
1500*600*850	TS019-3	473	1200*700*850	TS019-7	487	2100*700*850	TS019-10	687
1800*600*850	TS019-4	507						
Material 201			Material 201			Material 201		
900*600*850	S019-1	316	2100*600*850	S019-6	402	1500*700*850	S019-8	378
1200*600*850	S019-2	328	900*700*850	S019-5	340	1800*700*850	S019-9	408
1500*600*850	S019-3	347	1200*700*850	S019-7	359	2100*700*850	S019-10	483
1800*600*850	S019-4	371						



1-Layer Overshelf 300mm Width

Type:Assembly
Thickness:1.0mm(CN1.2mm)

Dimension (mm)	Model	Price (\$)	Dimension (mm)	Model	Price (\$)	Dimension (mm)	Model	Price (\$)
Material 304			Material 304			Material 304		
900*300*750	TS016-1	220	1500*300*750	TS016-3	253	2100*300*750	TS016-5	300
1200*300*750	TS016-2	233	1800*300*750	TS016-4	273	2400*300*750	TS016-6	327
Material 201			Material 201			Material 201		
900*300*750	S016-1	111	1500*300*750	S016-3	142	2100*300*750	S016-5	179
1200*300*750	S016-2	123	1800*300*750	S016-4	161	2400*300*750	S016-6	204



Corner Work Table With Backsplash

Type:Assembly
Thickness:1.0mm(CN1.2mm)
Backsplash:100mm

Dimension (mm)	Model	Price (\$)	Dimension (mm)	Model	Price (\$)
Material 304			Material 304		
900/900*600*850	TS018-1	674	900/900*800*850	TS018-3	674
900/900*700*850	TS018-2	674			
Material 201			Material 201		
900/900*600*850	S018-1	458	900/900*800*850	S018-3	458
900/900*700*850	S018-2	458			



Work Table With 4 Drawers
600/700mm Width

Type:Assembly
Thickness:1.0mm(CN1.2mm)
Backsplash:100mm

Dimension (mm)	Model	Price (\$)	Dimension (mm)	Model	Price (\$)	Dimension (mm)	Model	Price (\$)
Material 304			Material 304			Material 304		
1200*600*850	TS024-1	1301	1800*600*850	TS024-3	1428	1500*700*850	TS024-5	1448
1500*600*850	TS024-2	1354	1200*700*850	TS024-4	1368	1800*700*850	TS024-6	1514
Material 201			Material 201			Material 201		
1200*600*850	S024-1	830	1800*600*850	S024-3	904	1500*700*850	S024-5	910
1500*600*850	S024-2	873	1200*700*850	S024-4	867	1800*700*850	S024-6	960



Work Table With 1 Drawer

Type:Assembly
Thickness:1.0mm(CN1.2mm)
Backsplash:100mm

Dimension (mm)	Model	Price (\$)	Dimension (mm)	Model	Price (\$)
Material 304			Material 304		
1200*700*850	TS053-1	1174	1800*700*850	TS053-3	1321
1500*700*850	TS053-2	1254			
Material 201			Material 201		
1200*700*850	S053-1	867	1800*700*850	S053-3	960
1500*700*850	S053-2	910			

STAINLESS STEEL WORK TABLE



Work Table With 3 Drawers

Type:Assembly
Thickness:1.0mm(CN1.2mm)

Dimension (mm)	Model	Price (\$)	Dimension (mm)	Model	Price (\$)
Material 304			Material 304		
1500*700*850	TS056-1	1221	1800*700*850	TS056-1	1287
Material 201			Material 201		
1500*700*850	S056-1	762	1800*700*850	S056-1	811



Work Table With 3 Drawers & Three-Sided Backsplash

Type:Assembly
Thickness:1.0mm(CN1.2mm)
Backsplash:100mm

Dimension (mm)	Model	Price (\$)	Dimension (mm)	Model	Price (\$)
Material 304			Material 304		
1500*750*850	TS055-1	1328	1800*750*850	TS055-1	1368
Material 201			Material 201		
1500*750*850	S055-1	886	1800*750*850	S055-1	917



Preparation Table With Cutting Board 600/700mm Width

Type:Assembly
Thickness:1.0mm(CN1.2mm)
Backsplash:100mm

Dimension (mm)	Model	Price (\$)	Dimension (mm)	Model	Price (\$)	Dimension (mm)	Model	Price (\$)
Material 304			Material 304			Material 304		
600*600*850	TS020-1	353	1800*600*850	TS020-5	493	1200*700*850	TS020-8	473
900*600*850	TS020-2	407	600*700*850	TS020-6	387	1500*700*850	TS020-9	520
1200*600*850	TS020-3	427	900*700*850	TS020-7	440	1800*700*850	TS020-10	593
1500*600*850	TS020-4	460						
Material 201			Material 201			Material 201		
600*600*850	S020-1	272	1800*600*850	S020-5	359	1200*700*850	S020-8	347
900*600*850	S020-2	303	600*700*850	S020-6	285	1500*700*850	S020-9	439
1200*600*850	S020-3	316	900*700*850	S020-7	328	1800*700*850	S020-10	489
1500*600*850	S020-4	334						



Work Table With 2 Chopping Boards & 2-Layer Undershef

Type:Assembly
Thickness:1.0mm(CN1.2mm)

Dimension (mm)	Model	Price (\$)	Dimension (mm)	Model	Price (\$)
Material 304			Material 201		
1200*700*850	TS407	1094	1200*700*850	S407	793



Work Table With 6 Chopping Boards & 2-Layer Undershef

Type:Assembly
Thickness:1.0mm(CN1.2mm)

Dimension (mm)	Model	Price (\$)	Dimension (mm)	Model	Price (\$)
Material 304			Material 201		
1800*1050*850	TS233	1391	1800*1050*850	S233	953



300mm Stainless Steel Order Holder
Thickness:1.0mm(CN1.2mm)

Dimension (mm)	Model	Price (\$)
Material 201		
300*80*20	U233-1	10
400*80*20	U233-2	12
500*80*20	U233-3	14
600*80*20	U233-4	16
900*80*20	U233-5	27
1200*80*20	U233-6	34



1800mm Work Table With 6 Chopping Boards

Type:Assembly
Thickness:1.0mm(CN1.2mm)

Dimension (mm)	Model	Price (\$)	Dimension (mm)	Model	Price (\$)
Material 304			Material 201		
1800*1000*860	TS301	1328	1800*1000*860	S301	1072



Mobile Table With PE Cutting Board

Type:Assembly
Thickness:1.0mm(CN1.2mm)

Dimension (mm)	Model	Price (\$)	Dimension (mm)	Model	Price (\$)
Material 304			Material 201		
500*500*900	TS021-1	480	500*500*900	S021-1	359
600*600*900	TS021-2	567	600*600*900	S021-2	421
700*700*900	TS021-3	774	700*700*900	S021-3	576



Mobile Table With PE Cutting Board

Type:Assembly
Thickness:1.0mm(CN1.2mm)
Cutting Board Thickness:100mm

Dimension (mm)	Model	Price (\$)	Dimension (mm)	Model	Price (\$)
Material 304			Material 201		
900*800*850	TS022	814	900*800*850	S022	594



Work Table With Chopping Board & Undershef

Type:Assembly
Thickness:1.0mm(CN1.2mm)
Backsplash:150mm

Dimension (mm)	Model	Price (\$)	Dimension (mm)	Model	Price (\$)
Material 304			Material 201		
1800*750*800	TS409	1195	1800*750*800	S409	892

STAINLESS STEEL WORK TABLE & STAINLESS STEEL SHELF



Work Table With Wooden Board

Type:Assembly
Thickness:1.0mm(CN1.2mm)
Wooden Board Thickness:80mm

Dimension (mm)	Model	Price (\$)	Dimension (mm)	Model	Price (\$)
Material 304			Material 201		
1800*800*800	TS235	/	1800*800*800	S235	781



Work Table With Wooden Board & Undershef

Type:Assembly
Thickness:1.0mm(CN1.2mm)
Wooden Board Thickness:80mm

Dimension (mm)	Model	Price (\$)	Dimension (mm)	Model	Price (\$)
Material 304			Material 201		
1800*800*800	TS305	854	1800*800*800	S305	594



Multifunction Work Table

Type:Assembly
Thickness:1.0mm(CN1.2mm)
Backsplash:100mm

Dimension (mm)	Model	Price (\$)	Dimension (mm)	Model	Price (\$)
Material 304			Material 201		
1800*800*850	TS416	1628	1800*800*850	S416	1065



4 Layers T-Bar Shelf

Type:Assembly
Thickness:1.0mm(CN1.2mm)

Dimension (mm)	Model	Price (\$)	Dimension (mm)	Model	Price (\$)	Dimension (mm)	Model	Price (\$)
Material 304			Material 304			Material 304		
1100*500*1550	TS025-1	647	1500*500*1550	TS025-3	760	1800*500*1550	TS025-4	860
1200*500*1550	TS025-2	647						
Material 201			Material 201			Material 201		
1100*500*1550	S025-1	286	1500*500*1550	S025-3	309	1800*500*1550	S025-4	367
1200*500*1550	S025-2	414						



4 Layers T-Bar Shelf

Type:Assembly
Thickness:1.0mm(CN1.2mm)

Dimension (mm)	Model	Price (\$)	Dimension (mm)	Model	Price (\$)	Dimension (mm)	Model	Price (\$)
Material 304			Material 304			Material 304		
1100*500*1550	TS026-1	647	1500*500*1550	TS026-3	760	1800*500*1550	TS026-4	860
1200*500*1550	TS026-2	647						
Material 201			Material 201			Material 201		
1100*500*1550	S026-1	262	1500*500*1550	S026-3	343	1800*500*1550	S026-4	390
1200*500*1550	S026-2	286						



5 Layers T-Bar Shelf

Type:Assembly
Thickness:1.0mm(CN1.2mm)

Dimension (mm)	Model	Price (\$)	Dimension (mm)	Model	Price (\$)	Dimension (mm)	Model	Price (\$)
Material 304			Material 304			Material 304		
1100*500*1800	TS027-1	787	1500*500*1800	TS027-3	934	1800*500*1800	TS027-4	1047
1200*500*1800	TS027-2	787						
Material 201			Material 201			Material 201		
1100*500*1800	S027-1	357	1500*500*1800	S027-3	443	1800*500*1800	S027-4	486
1200*500*1800	S027-2	376						



5 Layers Shelf

Type:Assembly
Thickness:1.0mm(CN1.2mm)

Dimension (mm)	Model	Price (\$)	Dimension (mm)	Model	Price (\$)	Dimension (mm)	Model	Price (\$)
Material 304			Material 304			Material 304		
1100*500*1800	TS028-1	787	1500*500*1800	TS028-3	934	1800*500*1800	TS028-4	1047
1200*500*1800	TS028-2	787						
Material 201			Material 201			Material 201		
1100*500*1800	S028-1	333	1500*500*1800	S028-3	409	1800*500*1800	S028-4	452
1200*500*1800	S028-2	343						



4 Layers Perforated Shelf

Type:Assembly
Thickness:1.0mm(CN1.2mm)

Dimension (mm)	Model	Price (\$)	Dimension (mm)	Model	Price (\$)	Dimension (mm)	Model	Price (\$)
Material 304			Material 304			Material 304		
1200*500*1550	TS267-1	647	1500*500*1550	TS267-2	760	1800*500*1550	TS267-3	860
Material 201			Material 201			Material 201		
1200*500*1550	S267-1	309	1500*500*1550	S267-2	367	1800*500*1550	S267-3	414

STAINLESS STEEL SHELF & STAINLESS STEEL SINK

Pipe Wallshelf



Type:Assembly
Thickness:1.0mm(CN1.2mm)

Dimension (mm)	Model	Price (\$)	Dimension (mm)	Model	Price (\$)	Dimension (mm)	Model	Price (\$)
Material 304			Material 304			Material 304		
600*350*300	TS058-1	80	1500*350*300	TS058-4	200	2100*350*300	TS058-6	280
900*350*300	TS058-2	133	1800*350*300	TS058-5	240	2400*350*300	TS058-7	320
1200*350*300	TS058-3	160						
Material 201			Material 201			Material 201		
600*350*300	S058-1	49	1500*350*300	S058-4	111	2100*350*300	S058-6	161
900*350*300	S058-2	74	1800*350*300	S058-5	136	2400*350*300	S058-7	179
1200*350*300	S058-3	92						

2 Layers Wallshelf



Type:Assembly
Thickness:1.0mm(CN1.2mm)

Dimension (mm)	Model	Price (\$)	Dimension (mm)	Model	Price (\$)	Dimension (mm)	Model	Price (\$)
Material 304			Material 304			Material 304		
600*300*700	TS288-1	300	1800*300*700	TS288-7	473	1200*400*700	TS288-12	433
800*300*700	TS288-2	327	2000*300*700	TS288-8	553	1400*400*700	TS288-13	487
1000*300*700	TS288-3	353	600*400*700	TS288-9	340	1600*400*700	TS288-14	513
1200*300*700	TS288-4	380	800*400*700	TS288-10	367	1800*400*700	TS288-15	540
1400*300*700	TS288-5	420	1000*400*700	TS288-11	393	2000*400*700	TS288-16	647
1600*300*700	TS288-6	447						
Material 201			Material 201			Material 201		
600*300*700	S288-1	192	1800*300*700	S288-7	365	1200*400*700	S288-12	303
800*300*700	S288-2	216	2000*300*700	S288-8	439	1400*400*700	S288-13	353
1000*300*700	S288-3	241	600*400*700	S288-9	216	1600*400*700	S288-14	378
1200*300*700	S288-4	266	800*400*700	S288-10	241	1800*400*700	S288-15	402
1400*300*700	S288-5	303	1000*400*700	S288-11	266	2000*400*700	S288-16	501
1600*300*700	S288-6	340						

Knee Operated Hand Sink With Backsplash



Thickness:1.0mm(CN1.2mm)

Dimension (mm)	Model	Price (\$)
Material 304		
400*330*H580	TS203	238

Hand Sink With Pedal



Thickness:1.0mm(CN1.2mm)

Dimension (mm)	Model	Price (\$)	Dimension (mm)	Model	Price (\$)
Material 304			Material 201		
500*400*(800+400)	TS623	681	500*400*(800+400)	S624	576

1 Layer Wallshelf



Type:Assembly
Thickness:1.0mm(CN1.2mm)

Dimension (mm)	Model	Price (\$)	Dimension (mm)	Model	Price (\$)	Dimension (mm)	Model	Price (\$)
Material 304			Material 304			Material 304		
600*300*350	TS287-1	153	1800*300*350	TS287-7	240	1200*400*350	TS287-12	193
800*300*350	TS287-2	166	2000*300*350	TS287-8	280	1400*400*350	TS287-13	246
1000*300*350	TS287-3	180	600*400*350	TS287-9	173	1600*400*350	TS287-14	260
1200*300*350	TS287-4	193	800*400*350	TS287-10	186	1800*400*350	TS287-15	273
1400*300*350	TS287-5	213	1000*400*350	TS287-11	200	2000*400*350	TS287-16	327
1600*300*350	TS287-6	226						
Material 201			Material 201			Material 201		
600*300*350	S287-1	99	1800*300*350	S287-7	185	1200*400*350	S287-12	136
800*300*350	S287-2	111	2000*300*350	S287-8	223	1400*400*350	S287-13	179
1000*300*350	S287-3	123	600*400*350	S287-9	111	1600*400*350	S287-14	192
1200*300*350	S287-4	136	800*400*350	S287-10	123	1800*400*350	S287-15	204
1400*300*350	S287-5	154	1000*400*350	S287-11	136	2000*400*350	S287-16	254
1600*300*350	S287-6	173						

Moistureproof Bearing Frame



Type:Assembly
Thickness:1.0mm(CN1.2mm)

Dimension (mm)	Model	Price (\$)	Dimension (mm)	Model	Price (\$)	Dimension (mm)	Model	Price (\$)
Material 304			Material 304			Material 304		
750*500*H300	TS222-1	238	1200*500*H300	TS222-3	309	1500*500*H300	TS222-4	371
900*500*H300	TS222-2	276						
Material 201			Material 201			Material 201		
750*500*H300	S222-1	152	1200*500*H300	S222-3	181	1500*500*H300	S222-4	214
900*500*H300	S222-2	162						

Knee Operated Hand Sink



Thickness:1.0mm(CN1.2mm)

Dimension (mm)	Model	Price (\$)	Dimension (mm)	Model	Price (\$)
Material 304			Material 201		
455*455*270	TS239	547	455*455*270	S239	458

Soaking Sink



Thickness:1.0mm(CN1.2mm)

Dimension (mm)	Sink Dimension (mm)	Model	Price (\$)	Dimension (mm)	Sink Dimension (mm)	Model	Price (\$)
Material 304				Material 304			
740*740*900	600*600*300	TS290	443	740*740*900	600*600*300	TS290	328

STAINLESS STEEL SINK



Movable Sink

Thickness:1.0mm(CN1.2mm)

Dimension (mm)	Sink Dimension (mm)	Model	Price (\$)	Dimension (mm)	Sink Dimension (mm)	Model	Price (\$)
Material 304				Material 201			
810*560*540	810*560*300	TS291	395	810*560*540	810*560*300	S291	305



Raised Height Movable Sink

Thickness:1.0mm(CN1.2mm)

Dimension (mm)	Sink Dimension (mm)	Model	Price (\$)	Dimension (mm)	Sink Dimension (mm)	Model	Price (\$)
Material 304				Material 201			
810*560*750	810*560*300	TS292	395	810*560*750	810*560*300	S292	305



Boat Shaped Sink

Thickness:1.0mm(CN1.2mm)

Backsplash:100mm

Dimension (mm)	Model	Price (\$)	Dimension (mm)	Model	Price (\$)
Material 304			Material 201		
1200*760*800	TS309	680	1200*760*800	S309	520



Preparing Work Table With Double Sinks

Thickness:1.0mm(CN1.2mm)

Backsplash:200mm

Dimension (mm)	Chopping Block (mm)	Sink Dimension (mm)	Model	Price (\$)
Material 304				
2000*1050*800	400*600*4 pcs	510*400*250*2	TS234	1787
Material 201				
2000*1050*800	400*600*4 pcs	510*400*250*2	S234	1239



Single Sink

Thickness:1.0mm(CN1.2mm)

Backsplash:100mm

Dimension (mm)	Sink Dimension (mm)	Model	Price (\$)	Dimension (mm)	Sink Dimension (mm)	Model	Price (\$)
Material 304				Material 304			
600*600*850	470*400*250	TS029-1	320	700*700*850	570*500*250	TS029-6	400
Material 201				Material 201			
600*600*850	470*400*250	S029-1	235	700*700*850	570*500*250	S029-6	285



Work Table With Sink and Chopping Board

Thickness:1.0mm(CN1.2mm)

Backsplash:100mm

Dimension (mm)	Chopping Block (mm)	Sink Dimension (mm)	Model	Price (\$)
Material 304				
1800*750*800	400*600*4 pcs	510*400*250*2	TS408	1310
Material 201				
1800*750*800	400*600*4 pcs	510*400*250*2	S408	881



Double Sinks
600/700mm Width

Thickness:1.0mm(CN1.2mm)

Backsplash:100mm

Dimension (mm)	Sink Dimension (mm)	Model	Price (\$)	Dimension (mm)	Sink Dimension (mm)	Model	Price (\$)
Material 304				Material 304			
1200*600*850	510*400*250*2	TS030-1	487	1200*700*850	510*500*250*2	TS030-5	520
1500*600*850	610*400*250*2	TS030-2	533	1500*700*850	610*500*250*2	TS030-6	587
Material 201				Material 201			
1200*600*850	510*400*250*2	S030-1	328	1200*700*850	510*500*250*2	S030-5	359
1500*600*850	610*400*250*2	S030-2	359	1500*700*850	610*500*250*2	S030-6	396



Triple Sinks
600/700mm Width

Thickness:1.0mm(CN1.2mm)

Backsplash:100mm

Dimension (mm)	Sink Dimension (mm)	Model	Price (\$)	Dimension (mm)	Sink Dimension (mm)	Model	Price (\$)
Material 304				Material 304			
1500*600*850	410*400*250*3	TS031-1	587	1800*700*850	510*500*250*3	TS031-3	707
1800*600*850	510*400*250*3	TS031-2	653	2100*700*850	610*500*250*3	TS031-4	827
Material 201				Material 201			
1500*600*850	410*400*250*3	S031-1	408	1800*700*850	510*500*250*3	S031-3	470
1800*600*850	510*400*250*3	S031-2	433	2100*700*850	610*500*250*3	S031-4	545



Triple Sinks With Pot Shelf

Thickness:1.0mm(CN1.2mm)

Backsplash:100mm

Dimension (mm)	Sink Dimension (mm)	Model	Price (\$)	Dimension (mm)	Sink Dimension (mm)	Model	Price (\$)
Material 304				Material 304			
2400*700*850	510*500*250*3	TS035-1	1187	2700*700*850	610*500*250*3	TS035-2	1614
Material 201				Material 201			
2400*700*850	510*500*250*3	S035-1	879	2700*700*850	610*500*250*3	S035-2	1127

STAINLESS STEEL SINK



Single Sink With Under Shelf
600/700mm Width

Thickness:1.0mm(CN1.2mm)
Backsplash:100mm

Dimension (mm)	Sink Dimension (mm)	Model	Price (\$)	Dimension (mm)	Sink Dimension (mm)	Model	Price (\$)
Material 304				Material 304			
1200*600*850	610*400*250	TS036-1	649	1200*700*850	610*500*250	TS036-6	747
1500*600*850	610*400*250	TS036-2	714	1500*700*850	610*500*250	TS036-7	834
1800*600*850	610*400*250	TS036-3	780	1800*700*850	610*500*250	TS036-8	927
2100*600*850	610*400*250	TS036-4	920	2100*700*850	610*500*250	TS036-9	1087
2400*600*850	610*400*250	TS036-5	980	2400*700*850	610*500*250	TS036-10	1167
Material 201				Material 201			
1200*600*850	610*400*250	S036-1	433	1200*700*850	610*500*250	S036-6	520
1500*600*850	610*400*250	S036-2	464	1500*700*850	610*500*250	S036-7	588
1800*600*850	610*400*250	S036-3	501	1800*700*850	610*500*250	S036-8	644
2100*600*850	610*400*250	S036-4	601	2100*700*850	610*500*250	S036-9	748
2400*600*850	610*400*250	S036-5	638	2400*700*850	610*500*250	S036-10	799



Double Sinks With Under Shelf
600/700mm Width

Thickness:1.0mm(CN1.2mm)
Backsplash:100mm

Dimension (mm)	Sink Dimension (mm)	Model	Price (\$)	Dimension (mm)	Sink Dimension (mm)	Model	Price (\$)
Material 304				Material 304			
1200*600*850	410*400*250*2	TS037-1	613	1200*700*850	410*500*250*2	TS037-6	680
1500*600*850	510*400*250*2	TS037-2	680	1500*700*850	510*500*250*2	TS037-7	780
1800*600*850	610*400*250*2	TS037-3	754	1800*700*850	610*500*250*2	TS037-8	867
2100*600*850	610*400*250*2	TS037-4	894	2100*700*850	610*500*250*2	TS037-9	1014
2400*600*850	610*400*250*2	TS037-5	974	2400*700*850	610*500*250*2	TS037-10	1101
Material 201				Material 201			
1200*600*850	410*400*250*2	S037-1	415	1200*700*850	410*500*250*2	S037-6	508
1500*600*850	510*400*250*2	S037-2	452	1500*700*850	510*500*250*2	S037-7	576
1800*600*850	610*400*250*2	S037-3	501	1800*700*850	610*500*250*2	S037-8	638
2100*600*850	610*400*250*2	S037-4	588	2100*700*850	610*500*250*2	S037-9	737
2400*600*850	610*400*250*2	S037-5	638	2400*700*850	610*500*250*2	S037-10	805



Triple Sinks With Under Shelf
600/700mm Width

Thickness:1.0mm(CN1.2mm)
Backsplash:100mm

Dimension (mm)	Sink Dimension (mm)	Model	Price (\$)	Dimension (mm)	Sink Dimension (mm)	Model	Price (\$)
Material 304				Material 304			
1800*600*850	410*400*250*3	TS038-1	820	1800*700*850	410*500*250*3	TS038-3	934
2100*600*850	510*400*250*3	TS038-2	974	2100*700*850	510*500*250*3	TS038-4	1087
Material 201				Material 201			
1800*600*850	410*400*250*3	S038-1	539	1800*700*850	410*500*250*3	S038-3	681
2100*600*850	510*400*250*3	S038-2	632	2100*700*850	510*500*250*3	S038-4	786



Single Sink With 3 Covered Sides
600/700mm Width

Thickness:1.0mm(CN1.2mm)
Backsplash:100mm

Dimension (mm)	Sink Dimension (mm)	Model	Price (\$)	Dimension (mm)	Sink Dimension (mm)	Model	Price (\$)
Material 304				Material 304			
1200*600*850	610*400*250	TS039-1	620	1200*700*850	610*500*250	TS039-6	720
1500*600*850	610*400*250	TS039-2	687	1500*700*850	610*500*250	TS039-7	807
1800*600*850	610*400*250	TS039-3	754	1800*700*850	610*500*250	TS039-8	900
2100*600*850	610*400*250	TS039-4	894	2100*700*850	610*500*250	TS039-9	1061
2400*600*850	610*400*250	TS039-5	954	2400*700*850	610*500*250	TS039-10	1141
Material 201				Material 201			
1200*600*850	610*400*250	S039-1	408	1200*700*850	610*500*250	S039-6	495
1500*600*850	610*400*250	S039-2	439	1500*700*850	610*500*250	S039-7	563
1800*600*850	610*400*250	S039-3	477	1800*700*850	610*500*250	S039-8	619
2100*600*850	610*400*250	S039-4	576	2100*700*850	610*500*250	S039-9	725
2400*600*850	610*400*250	S039-5	613	2400*700*850	610*500*250	S039-10	774



Double Sinks With 3 Covered Sides
600/700mm Width

Thickness:1.0mm(CN1.2mm)
Backsplash:100mm

Dimension (mm)	Sink Dimension (mm)	Model	Price (\$)	Dimension (mm)	Sink Dimension (mm)	Model	Price (\$)
Material 304				Material 304			
1200*600*850	410*400*250*2	TS040-1	754	1200*700*850	410*500*250*2	TS040-6	867
1500*600*850	510*400*250*2	TS040-2	820	1500*700*850	510*500*250*2	TS040-7	934
1800*600*850	610*400*250*2	TS040-3	874	1800*700*850	610*500*250*2	TS040-8	1001
2100*600*850	610*400*250*2	TS040-4	1034	2100*700*850	610*500*250*2	TS040-9	1174
2400*600*850	610*400*250*2	TS040-5	1107	2400*700*850	610*500*250*2	TS040-10	1254
Material 201				Material 201			
1200*600*850	410*400*250*2	S040-1	477	1200*700*850	410*500*250*2	S040-6	576
1500*600*850	510*400*250*2	S040-2	501	1500*700*850	510*500*250*2	S040-7	625
1800*600*850	610*400*250*2	S040-3	551	1800*700*850	610*500*250*2	S040-8	681
2100*600*850	610*400*250*2	S040-4	650	2100*700*850	610*500*250*2	S040-9	793
2400*600*850	610*400*250*2	S040-5	681	2400*700*850	610*500*250*2	S040-10	848



Triple Sinks With 3 Covered Sides
600/700mm Width

Thickness:1.0mm(CN1.2mm)
Backsplash:100mm

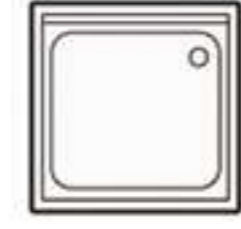
Dimension (mm)	Sink Dimension (mm)	Model	Price (\$)	Dimension (mm)	Sink Dimension (mm)	Model	Price (\$)
Material 304				Material 304			
1500*600*850	410*400*250*3	TS041-1	840	1800*700*850	410*500*250*3	TS041-5	1054
1800*600*850	410*400*250*3	TS041-2	927	2100*700*850	510*500*250*3	TS041-6	1241
2100*600*850	510*400*250*3	TS041-3	1101	2400*700*850	610*500*250*3	TS041-7	1354
2400*600*850	610*400*250*3	TS041-4	1194				
Material 201				Material 201			
1500*600*850	410*400*250*3	S041-1	539	1800*700*850	410*500*250*3	S041-5	731
1800*600*850	410*400*250*3	S041-2	576	2100*700*850	510*500*250*3	S041-6	855
2100*600*850	510*400*250*3	S041-3	688	2400*700*850	610*500*250*3	S041-7	930
2400*600*850	610*400*250*3	S041-4	731				

STAINLESS STEEL SINK & STAINLESS STEEL STORAGE

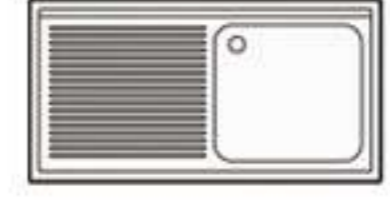


Double Sinks With Drainboard & Undershelf 600/700mm Width

Thickness:1.0mm(CN1.2mm)
Backsplash:100mm



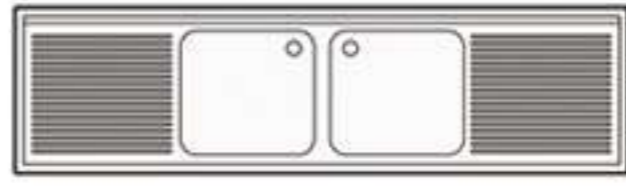
TS269-1, TS269-2, TS269-9, TS269-10
S269-1, S269-2, S269-9, S269-10



TS269-3, TS269-4, TS269-11, TS269-12,
TS269-12
S269-3, S269-4, S269-11, S269-12, S269-12



TS269-5, TS269-6, TS269-7, TS269-14,
TS269-15
S269-5, S269-6, S269-7, S269-14,
S269-15



TS269-8, TS269-16
S269-8, S269-16

Dimension (mm)	Sink Dimension (mm)	Model	Price (\$)	Dimension (mm)	Sink Dimension (mm)	Model	Price (\$)
Material 304				Material 304			
600*600*850	410*400*250	TS269-1	440	600*700*850	410*500*250	TS269-9	507
800*600*850	610*400*250	TS269-2	534	800*700*850	610*500*250	TS269-10	553
1000*600*850	510*400*250	TS269-3	587	1000*700*850	510*500*250	TS269-11	667
1200*600*850	610*400*250	TS269-4	620	1200*700*850	510*500*250	TS269-12	720
1400*600*850	410*400*250*2	TS269-5	820	1400*700*850	610*500*250	TS269-13	807
1600*600*850	510*400*250*2	TS269-6	854	1600*700*850	510*500*250*2	TS269-14	954
1800*600*850	610*400*250*2	TS269-7	874	1800*700*850	510*500*250*2	TS269-15	1001
2000*600*850	510*400*250*2	TS269-8	994	2000*700*850	510*500*250*2	TS269-16	1114
Material 201				Material 201			
600*600*850	410*400*250	S269-1	297	600*700*850	410*500*250	S269-9	378
800*600*850	610*400*250	S269-2	328	800*700*850	610*500*250	S269-10	408
1000*600*850	510*400*250	S269-3	378	1000*700*850	510*500*250	S269-11	458
1200*600*850	610*400*250	S269-4	408	1200*700*850	510*500*250	S269-12	495
1400*600*850	410*400*250*2	S269-5	501	1400*700*850	610*500*250	S269-13	563
1600*600*850	510*400*250*2	S269-6	520	1600*700*850	510*500*250*2	S269-14	644
1800*600*850	610*400*250*2	S269-7	551	1800*700*850	510*500*250*2	S269-15	681
2000*600*850	510*400*250*2	S269-8	594	2000*700*850	510*500*250*2	S269-16	749



Work Table With Cabinet & 4 Drawers 600/700mm Width

Thickness:1.0mm(CN1.2mm)
Backsplash:100mm

Dimension (mm)	Model	Price (\$)	Dimension (mm)	Model	Price (\$)	Dimension (mm)	Model	Price (\$)
Material 304			Material 304			Material 304		
1200*600*850	TS023-1	1334	1800*600*850	TS023-3	1530	1500*700*850	TS023-5	1553
1500*600*850	TS023-2	1430	1200*700*850	TS023-4	1449	1800*700*850	TS023-6	1673
Material 201			Material 201			Material 201		
1200*600*850	S023-1	910	1800*600*850	S023-3	1029	1500*700*850	S023-5	1029
1500*600*850	S023-2	972	1200*700*850	S023-4	972	1800*700*850	S023-6	1115



Upright Storage With Sliding Doors

Thickness:1.0mm(CN1.2mm)

Dimension (mm)	Model	Price (\$)	Dimension (mm)	Model	Price (\$)
Material 304			Material 304		
1000*500*1800	TS047-1	967	1200*600*1800	TS047-2	1177
Material 201			Material 201		
1000*500*1800	S047-1	662	1200*600*1800	S047-2	796

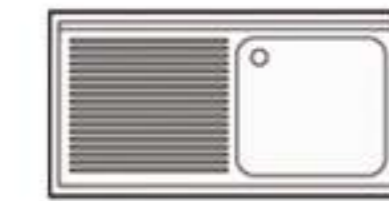


Single Sink With Drainboard & Cabinet 600/700mm Width

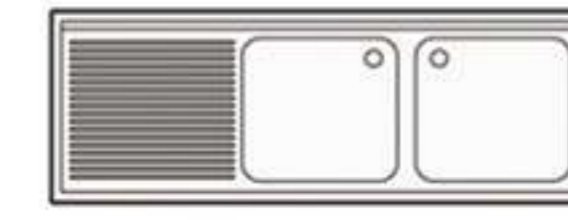
Thickness:1.0mm(CN1.2mm)
Backsplash:100mm



TS270-1, TS270-2, TS270-9, TS270-10
S270-1, S270-2, S270-9, S270-10



TS270-3, TS270-4, TS270-11, TS270-12,
TS270-12
S270-3, S270-4, S270-11, S270-12, S270-12



TS270-5, TS270-6, TS270-7, TS270-14,
TS270-15
S270-5, S270-6, S270-7, S270-14,
S270-15



TS270-8, TS270-16
S270-8, S270-16

Dimension (mm)	Sink Dimension (mm)	Model	Price (\$)	Dimension (mm)	Sink Dimension (mm)	Model	Price (\$)
Material 304				Material 304			
600*600*850	410*400*250	TS270-1	794	600*700*850	510*500*250	TS270-9	794
800*600*850	510*400*250	TS270-2	907	800*700*850	610*500*250	TS270-10	1027
1000*600*850	410*400*250	TS270-3	974	1000*700*850	510*500*250	TS270-11	1094
1200*600*850	510*400*250	TS270-4	1074	1200*700*850	510*500*250	TS270-12	1187
1400*600*850	410*400*250*2	TS270-5	1307	1400*700*850	610*500*250	TS270-13	1328
1600*600*850	510*400*250*2	TS270-6	1361	1600*700*850	510*500*250*2	TS270-14	1494
1800*600*850	510*400*250*2	TS270-7	1428	1800*700*850	510*500*250*2	TS270-15	1588
2000*600*850	510*400*250*2	TS270-8	1561	2000*700*850	510*500*250*2	TS270-16	1728
Material 201				Material 201			
600*600*850	410*400*250	S270-1	551	600*700*850	510*500*250	S270-9	613
800*600*850	510*400*250	S270-2	613	800*700*850	610*500*250	S270-10	687
1000*600*850	410*400*250	S270-3	644	1000*700*850	510*500*250	S270-11	718
1200*600*850	510*400*250	S270-4	706	1200*700*850	510*500*250	S270-12	768
1400*600*850	410*400*250*2	S270-5	842	1400*700*850	610*500*250	S270-13	855
1600*600*850	510*400*250*2	S270-6	861	1600*700*850	510*500*250*2	S270-14	954
1800*600*850	510*400*250*2	S270-7	917	1800*700*850	510*500*250*2	S270-15	997
2000*600*850	510*400*250*2	S270-8	1016	2000*700*850	510*500*250*2	S270-16	1103



Upright Storage With Perforated Doors

Thickness:1.0mm(CN1.2mm)

Dimension (mm)	Model	Price (\$)	Dimension (mm)	Model	Price (\$)
Material 304			Material 304		
1000*500*1800	TS046-1	1182	1200*600*1800	TS046-2	1406
Material 201			Material 201		
1000*500*1800	S046-1	776	1200*600*1800	S046-2	900



Work Table With Cabinet & 3 Drawers

Thickness:1.0mm(CN1.2mm)

Dimension (mm)	Model	Price (\$)	Dimension (mm)	Model	Price (\$)	Dimension (mm)	Model	Price (\$)
Material 304			Material 304			Material 304		
1200*700*850	TS048-1	1802	1500*700*850	TS048-2	1177	1800*700*850	TS048-3	1263
Material 201			Material 201			Material 201		
1200*700*850	S048-1	762	1500*700*850	S048-2	829	1800*700*850	S048-3	881

STAINLESS STEEL STORAGE



Work Table With Cabinet
600/700 Width

Thickness:1.0mm(CN1.2mm)

Dimension (mm)	Model	Price (\$)	Dimension (mm)	Model	Price (\$)	Dimension (mm)	Model	Price (\$)
Material 304			Material 304			Material 304		
600*600*850	TS279-1	581	1800*600*850	TS279-7	977	1200*700*850	TS279-12	896
800*600*850	TS279-2	643	2000*600*850	TS279-8	1072	1400*700*850	TS279-13	1001
1000*600*850	TS279-3	710	600*700*850	TS279-9	662	1500*700*850	TS279-14	1043
1200*600*850	TS279-4	781	800*700*850	TS279-10	738	1800*700*850	TS279-15	1120
1400*600*850	TS279-5	877	1000*700*850	TS279-11	810	2000*700*850	TS279-16	1239
1500*600*850	TS279-6	905						
Material 201			Material 201			Material 201		
600*600*850	S279-1	438	1800*600*850	S279-7	667	1200*700*850	S279-12	610
800*600*850	S279-2	476	2000*600*850	S279-8	743	1400*700*850	S279-13	667
1000*600*850	S279-3	510	600*700*850	S279-9	486	1500*700*850	S279-14	695
1200*600*850	S279-4	548	800*700*850	S279-10	533	1800*700*850	S279-15	753
1400*600*850	S279-5	610	1000*700*850	S279-11	562	2000*700*850	S279-16	848
1500*600*850	S279-6	629						



Work Table With Cabinet & Backsplash
600/700 Width

Thickness:1.0mm(CN1.2mm)
Backsplash: 100mm

Dimension (mm)	Model	Price (\$)	Dimension (mm)	Model	Price (\$)	Dimension (mm)	Model	Price (\$)
Material 304			Material 304			Material 304		
600*600*950	TS280-1	557	1800*600*950	TS280-7	953	1200*700*950	TS280-12	876
800*600*950	TS280-2	619	2000*600*950	TS280-8	1048	1400*700*950	TS280-13	977
1000*600*950	TS280-3	691	600*700*950	TS280-9	638	1500*700*950	TS280-14	1020
1200*600*950	TS280-4	757	800*700*950	TS280-10	715	1800*700*950	TS280-15	1096
1400*600*950	TS280-5	853	1000*700*950	TS280-11	786	2000*700*950	TS280-16	1215
1500*600*950	TS280-6	881						
Material 201			Material 201			Material 201		
600*600*850	S280-1	443	1800*600*850	S280-7	672	1200*700*850	S280-12	614
800*600*850	S280-2	481	2000*600*850	S280-8	748	1400*700*850	S280-13	672
1000*600*850	S280-3	514	600*700*850	S280-9	490	1500*700*850	S280-14	700
1200*600*850	S280-4	552	800*700*850	S280-10	538	1800*700*850	S280-15	757
1400*600*850	S280-5	614	1000*700*850	S280-11	567	2000*700*850	S280-16	853
1500*600*850	S280-6	633						



Wall Cabinet With Sliding Doors

Thickness:1.0mm(CN1.2mm)

Dimension (mm)	Model	Price (\$)	Dimension (mm)	Model	Price (\$)	Dimension (mm)	Model	Price (\$)
Material 304			Material 304			Material 304		
600*400*650	TS282-1	438	1200*400*650	TS282-4	643	1600*400*650	TS282-7	786
800*400*650	TS282-2	500	1400*400*650	TS282-5	748	1800*400*650	TS282-8	858
1000*400*650	TS282-3	572	1500*400*650	TS282-6	748	2000*400*650	TS282-9	924
Material 201			Material 201			Material 201		
600*400*650	S282-1	295	1200*400*650	S282-4	424	1600*400*650	S282-7	510
800*400*650	S282-2	343	1400*400*650	S282-5	486	1800*400*650	S282-8	548
1000*400*650	S282-3	381	1500*400*650	S282-6	486	2000*400*650	S282-9	595



Wall Hanging Cabinet

Thickness:1.0mm(CN1.2mm)

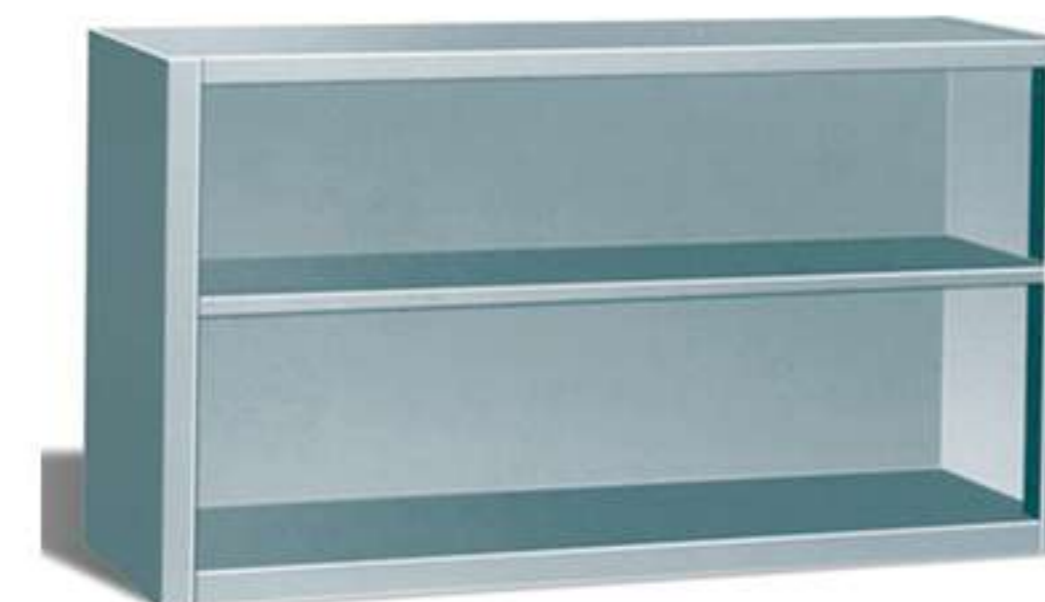
Dimension (mm)	Model	Price (\$)	Dimension (mm)	Model	Price (\$)	Dimension (mm)	Model	Price (\$)
Material 304			Material 304			Material 304		
1200*350*600	TS052-1	524	1500*350*600	TS052-2	610	1800*350*600	TS052-3	691
Material 201			Material 201			Material 201		
1200*350*600	S052-1	357	1500*350*600	S052-2	405	1800*350*600	S052-3	452



Corner Cabinet With Backsplash

Thickness:1.0mm(CN1.2mm)
Backsplash:100mm

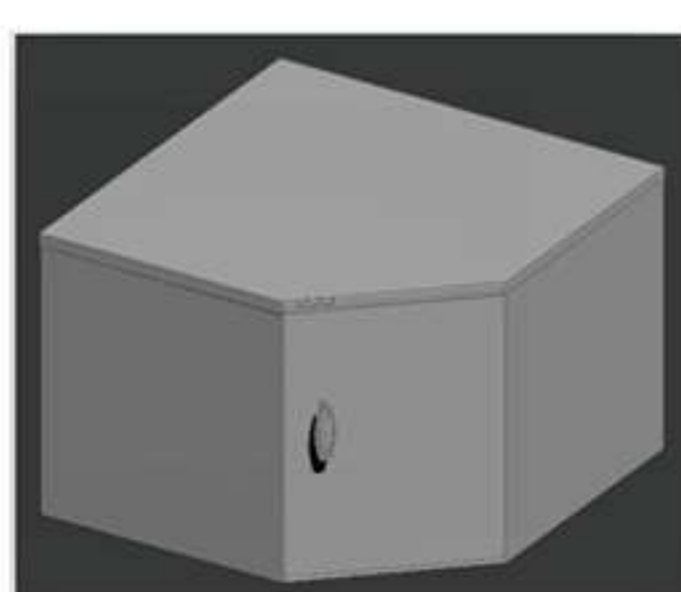
Dimension (mm)	Model	Price (\$)	Dimension (mm)	Model	Price (\$)
Material 304			Material 201		
1000*1000*700*850	TS400	1241	1000*1000*700*850	S400	858



Wall Cabinet

Thickness:1.0mm(CN1.2mm)

Dimension (mm)	Model	Price (\$)	Dimension (mm)	Model	Price (\$)	Dimension (mm)	Model	Price (\$)
Material 304			Material 304			Material 304		
600*400*650	TS283-1	395	1200*400*650	TS283-4	567	1600*400*650	TS283-7	686
800*400*650	TS283-2	448	1400*400*650	TS283-5	653	1800*400*650	TS283-8	748
1000*400*650	TS283-3	505	1500*400*650	TS283-6	653	2000*400*650	TS283-9	800
Material 201			Material 201			Material 201		
600*400*650	S283-1	271	1200*400*650	S283-4	376	1600*400*650	S283-7	448
800*400*650	S283-2	309	1400*400*650	S283-5	429	1800*400*650	S283-8	481
1000*400*650	S283-3	357	1500*400*650	S283-6	429	2000*400*650	S283-9	519



Corner Cabinet

Thickness:1.0mm(CN1.2mm)

Dimension (mm)	Model	Price (\$)	Dimension (mm)	Model	Price (\$)
Material 304			Material 201		
700*700*400*640	TS401	1127	700*700*400*640	S401	587

STAINLESS STEEL STORAGE & STAINLESS STEEL CART & TROLLEY



3-Layer Serving Cart
Thickness:1.0mm(CN1.2mm)

Dimension (mm)	Model	Price (\$)
Material 201		
750*400*835	S082-1	97
850*450*900	S082-2	116
950*500*950	S082-3	136



2-Layer Serving Cart
Thickness:1.0mm(CN1.2mm)

Dimension (mm)	Model	Price (\$)
Material 201		
700*400*850	S084-1	89
800*450*900	S084-2	106
900*500*950	S084-3	127



2-Layer Serving Cart With Rim
Thickness:1.0mm(CN1.2mm)

Dimension (mm)	Model	Price (\$)
Material 201		
750*400*835	S085-1	101
850*450*900	S085-2	120
950*500*950	S085-3	138



Sauces Cart
9/12-Case Sauces Cart

Dimension (mm)	Model	Price (\$)
Material 201		
620*560*900	S094-1	438
760*560*900	S094-2	533



100/150L Stainless Steel Tank Cart
Thickness:1.0mm(CN1.2mm)

Dimension (mm)	Model	Price (\$)
Material 201		
460*700*760	S092-1	389
500*800*760	S092-2	425



25/50kg Flour Cart
Thickness:1.0mm(CN1.2mm)

Dimension (mm)	Model	Price (\$)
Material 201		
500*500*600	S093-1	291
600*600*600	S093-2	332



Leftovers-Collected Cart
Thickness:1.0mm(CN1.2mm)

Dimension (mm)	Model	Price (\$)
Material 201		
770*435*900	S090	191



Waste Collecting Bench With Cart
Thickness:1.0mm(CN1.2mm)

Dimension (mm)	Model	Price (\$)
Material 201		
700*700*800	S414	520



Single Row Mop Holder And Rack
Thickness:1.0mm(CN1.2mm)

Dimension (mm)	Model	Price (\$)
Material 201		
780*420*H1800	S169	428



Double Rows Mop Holder & Rack
Thickness:1.0mm(CN1.2mm)

Dimension (mm)	Model	Price (\$)
Material 201		
780*420*1800	S170	478



Fixed Mobile Roast Hanging Rack
Thickness:1.0mm(CN1.2mm)

Dimension (mm)	Model	Price (\$)
Material 201		
1500*500*H1580	S171-2	345



Stainless Steel 2 Layers Roast Hanging Rack
Thickness:1.0mm(CN1.2mm)

Dimension (mm)	Model	Price (\$)
Material 201		
760*420*H1580	S172	416

STAINLESS STEEL CART & TROLLEY



Shovel Nose Hand Truck
Thickness:1.0mm(CN1.2mm)

Dimension (mm)	Model	Price (\$)
Material 201		
470*370*H1200	S173	218



16-Layer Double GN1/1 Pans Trolley
Thickness:1.0mm(CN1.2mm)

Dimension (mm)	Model	Price (\$)
Material 201		
670*820*H1735	S071	566



16-Layer Double GN1/1 Pans Trolley
Thickness:1.0mm(CN1.2mm)

Dimension (mm)	Model	Price (\$)
Material 201		
670*820*H1735	S073	416



16-Layer Single Side Pan Trolley
Thickness:1.0mm(CN1.2mm)

Dimension (mm)	Model	Price (\$)
Material 201		
380*550*H1735	S076-1	209
590*670*H1735	S076-2	316



Accessory Holder Trolley
Thickness:1.0mm(CN1.2mm)

Dimension (mm)	Model	Price (\$)
Material 201		
560*365*1600	S294	228



Folding Plastic Flat Trolley
Thickness:1.0mm(CN1.2mm)

Dimension (mm)	Model	Price (\$)
Material 201		
730*490*H860	S184-1	135
910*600*H890	S184-2	181



Heavy Duty Flat Trolley
Thickness:1.0mm(CN1.2mm)

Dimension (mm)	Model	Price (\$)
Material 201		
900*550*H870	S200-1	208
900*550*870	S200-2	254
1000*600*870	S200-3	231
1000*600*870	S200-4	277



5-Layer Pans Trolley With Worktop
Thickness:1.0mm(CN1.2mm)

Dimension (mm)	Model	Price (\$)
Material 201		
750*750*700	S173	384



16-Layer Single GN1/1 Pan Trolley
Thickness:1.0mm(CN1.2mm)

Dimension (mm)	Model	Price (\$)
Material 201		
450*640*H1735	S072	471



16-Layer Double Sides GN1/1 Pan Trolley
Thickness:1.0mm(CN1.2mm)

Dimension (mm)	Model	Price (\$)
Material 201		
740*550*H1735	S075	316



Hook Trolley
Thickness:1.0mm(CN1.2mm)

Dimension (mm)	Model	Price (\$)
Material 201		
660*640*1755	S293	133



Chef's Preparation Trolley
Thickness:1.0mm(CN1.2mm)

Dimension (mm)	Model	Price (\$)
Material 201		
590*690*1750	S295	324



Plastic Flat Trolley
Thickness:1.0mm(CN1.2mm)

Dimension (mm)	Model	Price (\$)
Material 201		
730*490*H860	S188-1	129
910*600*H890	S188-2	171



Heavy Duty Flat Trolley
Thickness:1.0mm(CN1.2mm)

Dimension (mm)	Model	Price (\$)
Material 201		
570*570*H850	S209-1	95
550*550*H850	S209-2	162

STAINLESS STEEL CART & TROLLEY FLOOR GRATING



Pan Dolly
Thickness:1.0mm(CN1.2mm)

Dimension (mm)	Model	Price (\$)
Material 201		
600*415*H140	S225	86



Strengthen Pan Dolly
Thickness:1.0mm(CN1.2mm)

Dimension (mm)	Model	Price (\$)
Material 201		
620*420*H170	S226	110



Pan Collecting Trolley
Thickness:1.0mm(CN1.2mm)

Dimension (mm)	Model	Price (\$)
Material 201		
980*515*H800	S229	312



Rotating Glass Plate Collecting Trolley
Thickness:1.0mm(CN1.2mm)

Dimension (mm)	Model	Price (\$)
Material 201		
1200*800*H1500	S230	858



Rotating Glass Plate Collecting Trolley
Thickness:1.0mm(CN1.2mm)

Dimension (mm)	Model	Price (\$)
Material 201		
650*600*H1920	S231	499



Floor Drains With Trench

Dimension (mm)	Model	Mesh Size (mm)	Grating Thickness (mm)	Price (\$)
Material 304				
1200*355*250	S260-1	25*25	2.5	691
1500*355*250	S260-2	25*25	2.5	738



Advanced Floor Drains With Vertical Outlet

Dimension (mm)	Model	Mesh Size (mm)	Grating Thickness (mm)	Price (\$)
Material 304				
500*355*250	S261-1	25*25	2.5	648
1000*355*250	S261-2	25*25	2.5	962
1200*355*250	S261-3	25*25	2.5	1077
1500*355*250	S261-4	25*25	2.5	1277
1800*355*250	S261-5	25*25	2.5	1430
2000*355*250	S261-6	25*25	2.5	1544
2500*355*250	S261-7	25*25	2.5	1863



Advanced Floor Drains With Vertical Outlet

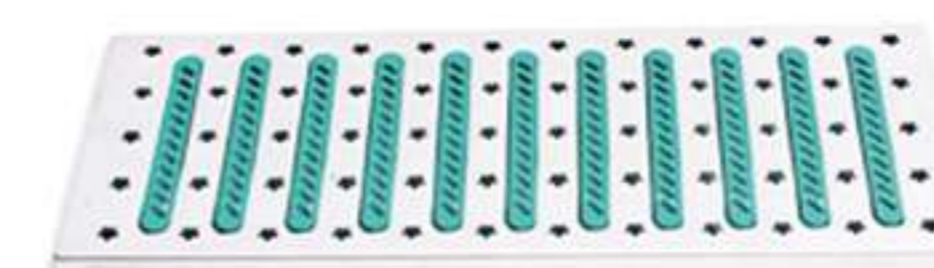
Dimension (mm)	Model	Mesh Size (mm)	Grating Thickness (mm)	Price (\$)
Material 304				
355*355*250	S266	25*25	2.5	595



Floor Drains With Vertical Outlet

Dimension (mm)	Model	Grating Thickness (mm)	Price (\$)
Material 304			
1000*300*175	S281-1	2.5	572
1200*300*175	S281-2	2.5	686
1500*300*175	S281-3	2.5	858
2000*300*175	S281-4	2.5	1144
2200*300*175	S281-5	2.5	1258

Floor Grating With Rat Guard



Dimension (mm)	Model	Price (\$)
Material 304		
570*195*25	S257-1	17
570*245*25	S257-2	19
570*295*25	S257-3	22
570*345*25	S257-4	24
570*395*25	S257-5	26

FLOOR GRATING & STAINLESS STEEL HOOD SYSTEM

Floor Grating With Rat Guard



Dimension (mm)	Model	Price (\$)
Material 304		
570*195*25	S259-1	15
570*245*25	S259-2	18
570*295*25	S259-3	20
570*345*25	S259-4	22
570*395*25	S259-5	25

Floor Grating With Rat Guard



Dimension (mm)	Model	Price (\$)
Material 201		
580*195*25	S258-1	10
580*245*25	S258-2	11
580*295*25	S258-3	12
580*345*25	S258-4	13
580*395*25	S258-5	15

Double Skin Hood With Fresh Air Systems Thickness:1.0mm(CN1.2mm)



Dimension (mm)	Model	Price (\$)	Dimension (mm)	Model	Price (\$)
Material 304			Material 201		
L1000*1200*600	TS105	800	L1000*1200*600	S105	629

Island Double Sides Hood Thickness:1.0mm(CN1.2mm)



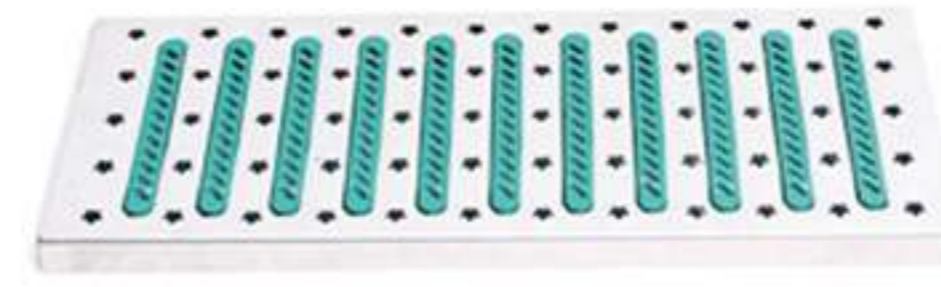
Dimension (mm)	Model	Price (\$)	Dimension (mm)	Model	Price (\$)
Material 304			Material 201		
L1000*1600*500	TS107	1525	L1000*1600*500	S107	1296

Circular Glass Island Exhaust Hood Thickness:1.0mm(CN1.2mm)



Dimension (mm)	Model	Price (\$)	Dimension (mm)	Model	Price (\$)
Material 304			Material 201		
φ1000*500	TS110-1	2383	φ1000*500	S110-1	1906
φ1500*500	TS110-2	2621	φ1500*500	S110-2	2145
φ2000*500	TS110-3	2860	φ2000*500	S110-3	2383
φ2500*500	TS110-4	3098	φ2500*500	S110-4	2621

Floor Grating With Rat Guard



Dimension (mm)	Model	Price (\$)
Material 201		
580*195*25	S215-1	10
580*245*25	S215-2	12
580*295*25	S215-3	13
580*345*25	S215-4	15
580*395*25	S215-5	17

English Style Hood Thickness:1.0mm(CN1.2mm)



Dimension (mm)	Model	Price (\$)	Dimension (mm)	Model	Price (\$)
Material 304			Material 201		
L1000*1200*600	TS062	743	L1000*1200*600	S062	572

Exhaust Hood Thickness:1.0mm(CN1.2mm)



Dimension (mm)	Model	Price (\$)	Dimension (mm)	Model	Price (\$)
Material 304			Material 201		
L1000*1200*600	TS106	572	L1000*1200*600	S106	400

Exhaust Hood With Oil Strainer And 3-Sided Glass Thickness:1.0mm(CN1.2mm)



Dimension (mm)	Model	Price (\$)	Dimension (mm)	Model	Price (\$)
Material 304			Material 201		
L1000*1000*500	TS109-1	872	L1000*1000*500	S109-1	643
L2500*1000*500	TS109-1	2180	L2500*1000*500	S109-1	1608
L3500*1000*500	TS109-1	3053	L3500*1000*500	S109-1	2253
L4500*1000*500	TS109-1	3925	L4500*1000*500	S109-1	2895

Double Sides Exhaust Hood With 4-Sided Glass Thickness:1.0mm(CN1.2mm)



Dimension (mm)	Model	Price (\$)	Dimension (mm)	Model	Price (\$)
Material 304			Material 201		
L1000*1600*500	TS111-1	872	L1000*1600*500	S111-1	643
L2500*1600*500	TS111-2	3489	L2500*1600*500	S111-2	2574
L3500*1600*500	TS111-3	4884	L3500*1600*500	S111-3	3603
L4500*1600*500	TS111-4	6280	L4500*1600*500	S111-4	4633

STAINLESS STEEL HOOD SYSTEM



UV Exhaust Hood
Thickness:1.0mm(CN1.2mm)

Dimension (mm)	Model	Price (\$)
Material 304		
L1000*1200*550/660	TS296-1	1201
L2500*1200*550/660	TS296-2	3003
L3500*1200*550/660	TS296-3	4204
L4500*1200*550/660	TS296-4	5405

Dimension (mm)	Model	Price (\$)
Material 201		
L1000*1200*550/660	S296-1	915
L2500*1200*550/660	S296-2	2288
L3500*1200*550/660	S296-3	3203
L4500*1200*550/660	S296-4	4118



Exhaust Hood With Oil Strainer and Fan
Thickness:1.0mm(CN1.2mm)

Dimension (mm)	Model	Price (\$)
Material 304		
L1000*1200*600	TS297-1	1515
L2500*1200*600	TS297-2	3789
L3500*1200*600	TS297-3	5305
L4500*1200*600	TS297-4	6821

Dimension (mm)	Model	Price (\$)
Material 201		
L1000*1200*600	S297-1	1086
L2500*1200*600	S297-2	2717
L3500*1200*600	S297-3	3803
L4500*1200*600	S297-4	4890



Water Misty Exhaust Hood
Thickness:1.0mm(CN1.2mm)

Dimension (mm)	Model	Price (\$)
Material 304		
L1000*1200*680	TS298-1	1172
L2500*1200*680	TS298-2	2931
L3500*1200*680	TS298-3	4104
L4500*1200*680	TS298-4	5276

Dimension (mm)	Model	Price (\$)
Material 201		
L1000*1200*680	S298-1	829
L2500*1200*680	S298-2	2073
L3500*1200*680	S298-3	2902
L4500*1200*680	S298-4	3732



Exhaust Hood With Oil Strainer
Thickness:1.0mm(CN1.2mm)

Dimension (mm)	Model	Price (\$)
Material 304		
L1000*1200*600	TS299-1	835
L2500*1200*600	TS299-2	2087
L3500*1200*600	TS299-3	2922
L4500*1200*600	TS299-4	3758

Dimension (mm)	Model	Price (\$)
Material 201		
L1000*1200*600	S299-1	572
L2500*1200*600	S299-2	1430
L3500*1200*600	S299-3	2002
L4500*1200*600	S299-4	2574



British Exhaust Hood With Oil Strainer
Thickness:1.0mm(CN1.2mm)

Dimension (mm)	Model	Price (\$)
Material 304		
L1000*1000*600	TS300-1	476
L2500*1000*600	TS300-2	1191
L3500*1000*600	TS300-3	1668
L4500*1000*600	TS300-4	2145

Dimension (mm)	Model	Price (\$)
Material 201		
L1000*1000*600	S300-1	309
L2500*1000*600	S300-2	774
L3500*1000*600	S300-3	1084
L4500*1000*600	S300-4	1394



300mm Stainless Steel Order Holder
Thickness:1.0mm(CN1.2mm)



Dimension (mm)	Model	Price (\$)
Material 201		
300*80*20	U233-1	10
400*80*20	U233-2	12
500*80*20	U233-3	14
600*80*20	U233-4	16
900*80*20	U233-5	27
1200*80*20	U233-6	34