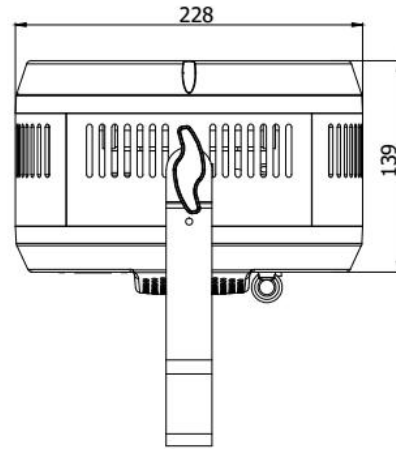
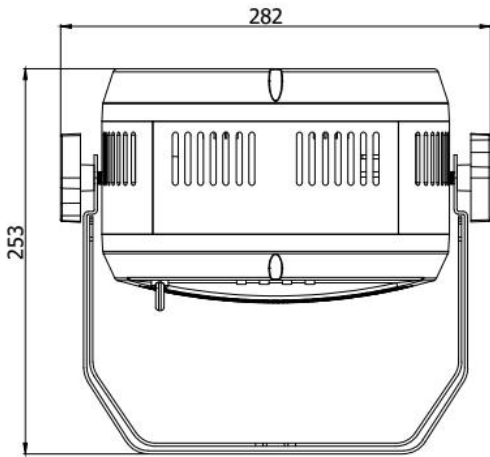


Waterproof rating: IP20

Net weight:

2.7KG

Machine size:



GUANGDONG YA GE LAI LIGHTING & AUDIO LIMITED

61pcs RGBW Single Color Par Light

(Item:YR-N61S)



User Manual

Attention:

Any damage caused by ignoring this manual does not belong to the scope of the warranty, and the manufacturer does not bear any responsibility for all consequences and problems caused by this. Please note that the damage caused by violation of the operating procedures is not within the scope of the warranty.

1. Technical specification:

- Light Source:

61x3W(R:17 G:17 B:17 W:10)

- Beam angle:

25°

- Control parameters

Strobe: 0-20Hz

Dimmer: linear 0-100% standard dimmer

Control: DMX512, RDM

Channel: 6/9CH

Built-in programming: 3 strobe +8 static mixed color +4 auto

Control mode: DMX512, manual, master-slave, voice control

Noise: Intelligent temperature, active heat dissipation,

silent below 40 degrees, fan begin to work when temperature above 40 degrees.

maximum noise is 43.0dBA from 1 meter away (close to ambient noise), **you can choose to turn off fan and use silent mode without any noise , but power will reduce according to temperature to keep led lamp safe when temperature above 80 degree.**

Over temperature protection: half power protection when temperature over 80 degrees

Real-time monitoring: Light source temperature, signal display.

5. When using console, try to avoid neighboring interference sources. (Example: wireless walkie-talkie, high-frequency emission source, etc.)

6. When using device, only 20 sets of the same product can be controlled within 20 meters of the same signal line . If it exceeds this range, a signal amplification device must be used to amplify the signal before it can be used, and the DMX output port on the last lamp Install a terminal product and solder a 120 ohm 1/4W resistor between Pin2 and Pin3 .

7. The input power cord of this equipment is equipped with a specification of 1 square meter. When the outer skin of the power cord is exposed and damaged, a new power cord of the same specification must be replaced.

8. When the light source reaches its end of life, the entire lamp should be replaced.

9. The continuous use time of the equipment cannot exceed 8 hours each time .

10. The power cord of the same input terminal can connect up to 4 lights.

11. The lens and light source of this equipment must be used together. When any accessory is damaged, it must be replaced by a relevant professional before it can be used.

7. Installation requirements:

1. In the environment where this product is used, there should be no corrosive steam and gas, and no flammable and explosive materials.

2. Keep the distance between the light outlet of the lamp and the illuminated object at least 1 meter, and keep it away from moisture and corrosive gases.

3. When the product is suspended and installed, the load of the hanging parts should be more than 3 times the weight of the product , and an auxiliary suspension safety rope should be made on the product, and the load of the safety rope should be more than 3 times the weight of the product .

The company reserves the right to modify this product manual without notice.

6 Channels:

S/N	Function	Description
Channel 1	Total dimming	0-255 : Total dimming linear dimming , from Dark to Bright.
Channel 2	Red	0-255 : Red linear dimming, from Dark to Bright.
Channel 3	green	0-255 : Green linear dimming, from Dark to Bright.
Channel 4	blue	0-255 : Blue linear dimming, from Dark to Bright.
Channel 5	white	0-255 : White linear dimming, from Dark to Bright.
Channel 6	Strobe	0: invalid; 1-84: conventional stroboscopic; 85-169: random stroboscopic; 170-255: lightning stroboscopic.

5.Master-Slave Control Model:

Master and slave: Set up one fixture as Master fixture(triggering), other fixtures as slave fixtures(the DMX menu, and the address code must be 001). , Slave fixtures under DMX add. Connect the signal cable, the slave fixtures will run and keep function synchronism as master fixtures.

Console to fixtures: Set up all fixtures same or different address value or follow DMX console performance. Connecting to console using signal cable, fixture is controlled by console.

6. instructions and remarks :

- 1, Always make sure that you are connecting to the proper voltage and that the line voltage you are connecting to is not higher than that stated on the decal or rear panel of the fixture.
- 2, When using this equipment, the power cord must be well grounded and taken care of by professionals.
- 3, Do not touch its surface when operating
4. The internal components of this equipment must be purchased from the manufacturer.

- Working parameters:

Voltage: AC100V~240V (50/60Hz)

Rated power: 200W

Maximum Ambient Temperature: 40°

- Light parameters:

Case : a full set of aluminum alloy (high temperature resistance), fine sand paint (high-end wear-resistant)

Display: touch screen +4 buttons, supports 30s instant blackout and light on

Power interface: one in(blue) one out(white) powercon

Signal interface: 3 pin(5 pin for optional) ,one in one out

Waterproof grade: IP20

2.Operation Instruction



MENU UP DOWN ENTER

Press the MENU key to cycle through 12 different menus. Press the ENTER key to enter the corresponding menu, press UP (plus key) or DOWN (minus key) to modify the current value. Press the ENTER key to save the current value.

3. Menu function reference table :

S/N	Menu	Function (ENTER)
1	d— — —	DMX512 address code setting: 001-512 , when there is a signal connection, the lower right corner indicator lights up
2	r— — —	Red brightness adjustment: 0-255
3	G— — —	Green brightness adjustment: 0-255
4	b— — —	Blue brightness adjustment: 0-255
5	n— — —	White brightness adjustment: 0-255
6	F— — —	Stroboscopic/speed adjustment: 0 invalid; 1-84 lightning stroboscopic; 85-169 random stroboscopic; 170-255 standard stroboscopic.
7	Pr— —	PR01 red; PR02 green; PR03 blue; PR04 white; PR05 red + green; PR06 red + blue; PR07 green + blue; PR08 red + green + blue + white; PR09 hopping; PR10 gradient; PR11 strobe; PR12 combined effect.
8	SP— —	Built-in program speed setting: SP01-16
9	AU— —	Auto/Audi : auto/ voice control
10	FAN—	FAN0: only if 40 degree ,fan working ; FAN1: silent mode,fan not working but power will reduce according to temperature to keep led lamp safe when temperature above 80 degree.; FAN2:fan always working
11	dp— —	dp0/1: 30s instant blackout and light on
12	CH— —	CH9/CH6: Channel selection

4.DMX512 channel description::

9 Channels:

S/N	Function	Description
Channel 1	Total dimming	0-255 : Total dimming linear dimming , from Dark to Bright.
Channel 2	Red	0-255 : Red linear dimming, from Dark to Bright.
Channel 3	green	0-255 : Green linear dimming, from the Dark to Bright.
Channel 4	blue	0-255 : Blue linear dimming, from the Dark to Bright.
Channel 5	white	0-255 : White linear dimming, from the Dark to Bright.
Channel 6	Strobe	0: invalid; 1-84: conventional stroboscopic; 85-169: random stroboscopic; 170-255: lightning stroboscopic.
Channel 7	Color preset	0:Invalid; 1-30 red; 31-61 green; 62-92 blue; 93-123 White; 124-154 red+green; 155-185 red+blue; 186-216 Green + Blue; 217-255 full light
Channel 8	Static mixing + Auto	0-20:invalid;2 1-38 red; 39-57 green; 58-76 blue; 77-95 white; 96-114 red+green; 115-133 red+blue; 134-152 green + blue; 153-171 full bright; 172-190 gradient; 191-209 jump; 210-228 strobe; 229-255 comprehensive effect.
Channel 9	Speed of Auto	0-255 : Auto speed adjustment, from fast to slow.