



**YELLOWRIVER**

MAKE YOUR STAGE TO BE MORE EXCELLENT

# 18R Moving Head Beam

**Model: YR-380B**



## **User Manual**

*Please read these instructions carefully before use*

## **Contents**

### **Section 1. Getting Started**

- ✧ Unpacking
- ✧ Safety Instruction

### **Section 2. Set Up**

- ✧ Installation
- ✧ Controlling Board
- ✧ Machine Connection

### **Section 3. Connection Diagram and troubleshooting**

- ✧ Connection Diagram
- ✧ Troubleshooting

### **Section 4. Reference**

- ✧ DMX Protocol
- ✧ Specification

## Section 1. Getting Started

- ✧ Unpacking
- ✧ Safety Instruction

### Unpacking

- 1pc fixture(lamp installed)
- 1pc User Manual
- 1pc Power Cable
- 1pc Signal Cable
- 2pc Fast-lock Omega Clamp (1/4 turn)

Thanks for using our YR-380 moving beam. Carefully unpack the box and check the contents to ensure that all parts are present and in good conditions. If anything damaged during transit, notify the shipper immediately and keep the packing material for inspection. Again, please save the carton and all packing materials. If the fixture must be returned to manufacturer, it is important that the fixture be returned in the original manufacturer box and packing.

## Safety Instruction



For your safe, please read this user manual carefully before turn on the fixture.

**This machine should be operated by qualified engineer!**

- Please conserve this manual as operation guidance. If you sell this product to other user, please make sure that they also receive this user manual.
- Always make sure that you are connecting to the proper voltage and the line voltage not higher than stated on the decal or rear panel of the fixture.
- This lighting is intended to indoor use only. To prevent risk of fire or shock, do not expose fixture to rain or moisture. Make sure there are no flammable, explosive or corrosive materials surrounded in **3 meters** while operating.
- The unit must be installed in a location with adequate ventilation, at least **6m** away from adjacent surfaces. Be sure that no ventilation slots are blocked.
- Fixture may carry high heat, do not aim at objective exceeding 2 minutes.
- Safe wire should be used to install machine. Bearing of safe wire should be 3 times of the machine weight.
- Always disconnect from the power source before servicing or replacing lens/ fuse/lamp and be sure to replace with same size and type by the professional . Cut off the power before moving, repairing or cleaning the machine.
- To avoid electric shock, all fixtures must be connected to circuits with a suitable ground.
- Always secure fixture using a safety chain and carrying handles. Never carry the fixture by its cord.
- In case of failure or malfunction occurred, stop using the unit immediately. Never try to repair the unit by yourself. Repairs carried out by unskilled people can lead to damage or malfunction. Please contact the nearest authorized technical assistance center. Buy the same spec spare parts/components from manufacturer directly.
- Make sure the power cord is never crimped or damaged.
- Avoid direct eye exposure to the light source while it is on.
- Do not power on and power off the fixture in a short time.
- When use DMX controller, please make sure that there is no interference sources (e.g. intercom, high frequency radio waves and radiation source).

## **Caution!**

This fixture suitable for -10-35 degree working environment, the fixture surface temperature of this series is 40-70 degree, maintain this environment in order to protect safety operation , the user is absolutely necessary to follow this manual safety instruction and warnings.

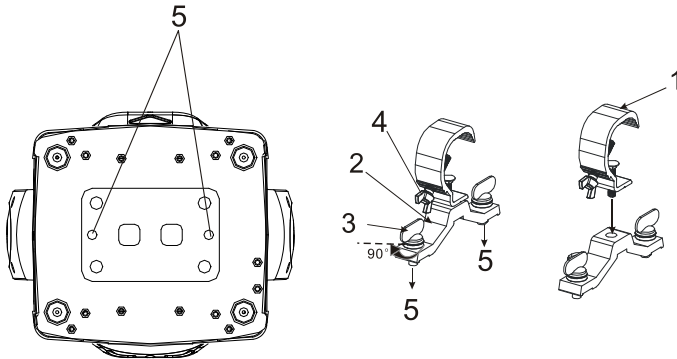
There are no user serviceable parts inside the unit. Do not open the housing or attempt any repairs by yourself. If exceptional problem happen, please contact related after-sale department or manufacturer. Any damage that caused by violating this manual is out of insurance, our company will not take any responsibility.

## Section 2. Set Up

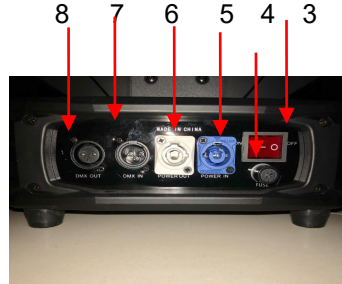
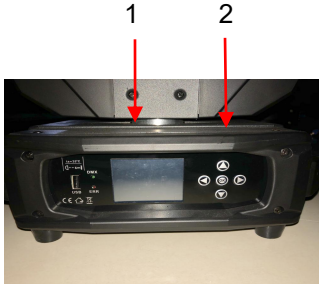
- ◇ Installation
- ◇ Controlling Board
- ◇ Machine connection

### Installation

- This machine should be mounted through the screw holes of truss. Safety wire is a must to fix fixture well. Make sure truss and safety wire have strong load capacity to bear 3 times weight than fixture at least.
- This machine should be installed by qualified technician.



## Controlling Board



### 1. LCD display

Shows menu

### 2. Control menu

UP DOWN ENTER MENU ESC

### 3. switch

Power on/power off

### 4. fuse

Protect machine from electrical short

### 5. power input

Connect power cable to obtain power

### 6. Power output

Connect power cable to cut off power

### 7. DMX In

Connect 3 pin XLR signal cable with male connector to obtain signal from other unit or controller

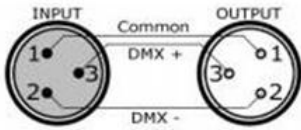
### 8. DMX Out

Connect 3 pin XLR signal cable with female connector to transfer signal to next unit

## Machine Connection

### Cable Connectors

Cables must have a male XLR connector on one end and a female XLR connector on the other end.



A word on termination: DMX is a resilient communication protocol, however errors still occasionally occur. Termination reduces signal errors, and therefore best practices include use of a terminator in all circumstances. If you are experiencing problems with erratic fixture behavior, especially over long signal cable runs, a terminator may help improve performance.



To build your own DMX Terminator: Obtain a 120-ohm, 1/4-watt resistor, and wire it between pins 2&3 of the last fixture. They are also readily available from specialty retailers.

**Complimentary signal cable can transmits signals to 25-30 unit fixtures at most within 230m . Signal amplifier is a must to connect more fixtures**

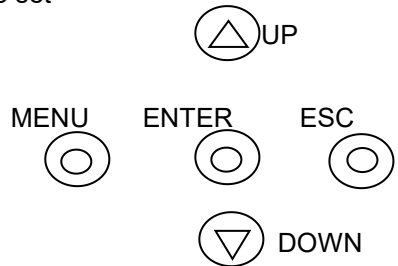
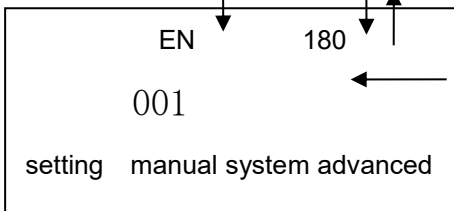
## Section 3. Connection Diagram and Troubleshooting

- ✧ connection diagram
- ✧ Troubleshooting

### connection diagram

#### LCD touch screen :

Chinese-English shift    show positive and negative set



**Remark:** Enter into each MENU level should press **ENTER** to save data. If need to back to last level, press **ESC**, If there is no any action after 10 seconds, LCD display will turn off automatically.

### Troubleshooting

<b>Problem</b>	<b>Probable cause(s)</b>	<b>Remedy</b>
No response from fixture when power is applied	No power to fixture	Check power cables
	Primary fuse blown	Replace fuse
	Secondary fuse blown	Replace fuse
Fixture resets but does not respond correctly to controller(DMX mode operation)	Controller not connected	Connect controller
	Incorrect addressing of the fixtures	Check address setting on fixture and controller
	Bad data link connection	Inspect cables and correct poor connections and/or broken cables.
	Conflict between tracking and vector control	Eliminate scene cross-fade on controller
	Data link not terminated	Insert termination plug in output of last fixture
	Defective fixture or 2 devices transmitting on link	Bypass fixtures one at a time until normal operation is regained:unplug both connectors and connect them directly together
Colors cannot be mixed	Random color mixing is on	Turn off random color mixing
Fixture does not reset correctly	Electronic or mechanical failure	Contact service technician
No light, lamp cuts out intermittently, or burns out too quickly	Lamp missing or blown	Disconnect fixture and replace lamp
	Fixture or lamp is too hot	Allow fixture to cool. If problem persists, contact service technician

## Section 4. Reference

- ✧ DMX protocol
- ✧ Specification

## DMX Protocol

### 18 Channels

Channel	Function	DMX numbers	Function
1	Color wheel	0~9	white
		10~14	white+color1
		15~19	color1
		20~24	White1+color2
		25~29	color2
		30~34	Color 2+color 3
		35~39	color3
		40~44	Color 3+color 4
		45~49	color4
		50~54	Color 4+color 5
		55~59	color5
		60~64	Color 5+color 6
		65~69	color6
		70~74	Color 6+color 7
		75~79	color7
		80~84	Color 7+color 8
		85~89	color8
		90~94	Color 8+color 9
95~99	color9		
100~104	Color 9+color 10		
105~109	color10		

		110~114	Color 10+color 11
		115~119	color11
		120~124	Color 11+color 12
		125~129	color12
		130~134	Color12+color 13
		135~139	color13
		140~149	color13+white
		150~203	Clockwise flow fast-slow
		204~255	Anti-clockwise flow slow-fast
2	Strobe	0~3	black
		4~103	Pulse strobe slow-fast
		104~107	white
		108~207	Effect strobe slow-fast
		208~212	white
		213~251	Random strobe slow-fast
		252~255	white
3	Dimmer	0~255	From dark to bright
	Fixed Gobo	0~6	white
			7~13
		14~20	Gobo2

4	21~27	Gobo3
	28~34	Gobo4
	35~41	Gobo5
	42~47	Gobo6
	48~53	Gobo7
	54~59	Gobo8
	60~65	Gobo9
	66~71	Gobo10
	72~77	Gobo11
	78~83	Gobo12
	84~89	Gobo13
	90~95	Gobo13 shaking
	96~100	Gobo12 shaking
	101~105	Gobo11 shaking
	106~110	Gobo10 shaking
	111~115	Gobo9 shaking
	116~120	Gobo8 shaking
	121~125	Gobo7 shaking
	126~130	Gobo6 shaking
	131~135	Gobo5 shaking
	136~140	Gobo4 shaking
	141~145	Gobo3 shaking
	146~150	Gobo2 shaking
151~155	Gobo1 shaking	
156~170	Effect gobo shaking	
171~210	Clockwise flow fast - slow	
211~215	stop	
216~255	Anti-Clockwise flow slow - fast	

5	Prism 1	0~127	Prism 1 remove out
		128~255	Prism 1 in
6	Prism1 Rotation	0~127	Prism 1 rotate 360 degree
		128~191	Prism1 Anti-Clockwise rotate (fast -slow)
		192~255	Prism1 Clockwise rotate(slow-fast)
7	Prism 2	0~127	Prism2 remove out
		128~255	Prism2 in
8	Prism2 Rotation	0~127	Prism2 rotate 360 degree
		128~191	Prism2 Anti-Clockwise rotate (fast -slow)
		192~255	Prism2 Clockwise rotate(slow-fast)
9	Focus	0~255	0-100% linear focus
10	Pan	0~255	X 0~540 degree
11	Pan fine	0~255	X16bit
12	Tilt	0~255	Y 0~230 degree
13	Tilt fine	0~255	Y 16bit
14	XY Speed	0~255	Fast-slow
15	Frost	0~127	Remove out
		128~255	in
16	7 color-effect wheel	0~127	7 colors remove out
		128~255	7 colors in
17	Lamp	101~105	Lamp off
		201~205	On off
18	Reset	0~250	/
		251-255	rest (keep 5 seconds)

## **Specification:**

Voltage: 110V-240V

Frequency: 50/60Hz

Power Consumption: 550W

Lamp: 18R, 380W

Shutter: 1-13t/s

Color temperature:8000k

Control: DMX512

Channel: 18CH

Control Mode: DMX//auto/ master-slave

Gobo wheel:10 fixed gobo+white+1 effect gobo

Color wheel 1: 13 colors+white (with half-color effect)

Color wheel 2: 1pcs 6-color wheel, multi-color effect with prism

Prism:1 pc two layers prism , 1 pc 16-facet prism

Scan: pan 540 °, Tilt :270°

Effect: can be from beam change into atomization effect

Protection: Power off automatically when machine overheat or system malfunction occur

## **Physical Parameters:**

Machine weight: 15.5kg

1in1 Carton packing size: 39\*32\*66.5cm

1in1 Carton packing weight: 19kg



# 保修卡

## Protection to Fix Card

非常感谢您使用我们的产品

1. 本产品从购买日起，正常操作使用并未经拆修，经保修人员确认属产品质量问题，一年内享受保修服务，在任何正常情况下均提供维修。
2. 保修卡应在购买时予填写。保修卡无本公司保修章无效。产品维护时请带保修卡。

Very thank you for using our products

1. This product from the acquisition, normal operation and all the parts inside the, the warranty of quality products confirm asked problem, enjoy a year warranty service, in any normal maintenance are available.
2. The warranty card when buy should be to fill in. Without this company product warranty chapters invalid. Please bring the product maintenance warranty Card.

顾客姓名 Customer Name	购买日期 Purchasing Date	产品型号 Product Model	购买商 Purchaser
保修记录： Warranty record			

广州市雅格莱灯光音响设备有限公司

Guangzhou City Ya Ge Lai Lighting&Audio Equipment Co.,Ltd.

地址：广州市白云区人和镇东华工业区东昌路6号

Address: No.6., Dong Chang Road, Dong Hua Emigrant Industrial Park, Ren He Town, Baiyun District, Guangzhou City, Guangdong province, China.



# 合格证

CERTIFICATE

本产品经检验符合技术条件，准予出厂：  
The product Has Been Tested According To Technical Requirements And Passed:

检验员 \_\_\_\_\_

本公司有权对此份产品说明书进行修改，恕不另行通知。

Our company reserves the right to change technical parameters without notice.

**Innovation | Efficiency | Dedication | Harmonious**