

**GUANGDONG YA GE LAI LIGHTING & AUDIO LIMITED**

# **80W LED Moving Head**

**Model: YR-80**



## **User manual**

**Please read this instruction  
carefully  
before using this product**

# User manual

## 1. Notes:

Any damage caused by disregard of this manual does not belong to the scope of warranty, and the manufacturer shall not bear any responsibility for all consequences and problems arising therefrom. Please note that the damage caused by violation of operating procedures does not belong to the scope of warranty.

## Technical specification

Light source

LED: LED 80W WHITE

LED life span: 20000H

CCT: 9800K

## controls parameter

Strobe: 1-30t/s

Control signal: DMX512 protocol, RDM protocol, ArtNet(optional)

Control channel: standard mode 16CH/ extended mode 20CH

Operation mode: DMX512/ master-slave/Auto

Cooling system : intelligent temperature fan controls cooling, fan stop under 40 °C, above the 40 °C ,the higher the temperature is, the faster the fan rotates.

Display function:

1.4 -inch LCD color screen, can set the channel mode (standard model, extended mode), horizontal vertical inversion, screen reversible, signal hint, switchable in both Chinese and English, automatic screen turn off / long last for display power on, display the channel number, source temperature, fan speed, record the power on time, power on times, fault prosecution, manual control channel data memory, the software version information, restore factory Settings, the scanning and the effect correction result.

LED opening mode: supports instant blackout f and light on

### **Effect parameters:**

Color wheel: 11 colors + CTO +1 CTB + white, semi-color effect  
+bi-direction flow effect.

Fixed gobo: 9 gobos +2 beam holes of different sizes + white, shaking  
+ bi-direction flow effect.

Prisms: 8-facet prisms, 16-facet prisms, available for overlapping into  
24-facet prisms, independent bi-direction rotation.

Six-color wheel : 1, work with a prism can present the effect of  
six-color prism.

Beam Angle: 0.85 degrees.

Frost: linear soft light.

Scanning: use three-phase motor, Pan 540°/1.8 seconds, tilt 270°  
/0.9 seconds, 8-16 bit scanning, using photoelectric reset with  
automatic error correction function.

### **Working parameters:**

Operating voltage: AC100V~240V, 50/60hz

Power: 250 W

### **Safety parameters:**

Safety protection: automatically cut off the power when the body  
overheats or the system fails

Working temperature: under 40 °C

### **Light parameters:**

Display: touch screen +4 buttons

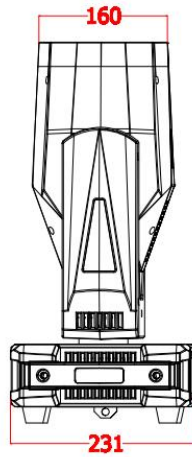
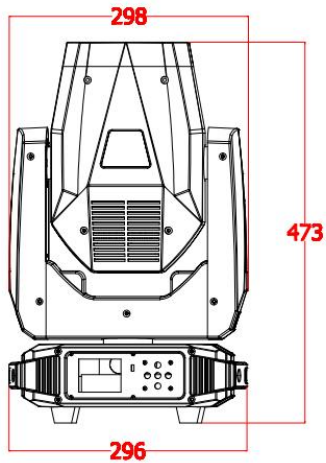
Power interface: one in one out powercon

Signal interface: 3 pin + network port or 3 pin +5 pin

Waterproof grade: IP20

Net weight: 11.4 KG

Size:296\*231\*298 mm



## 2.MENU :

| Main content      | SECOND           | THIRD               |
|-------------------|------------------|---------------------|
| DMX Address       | 1-512            |                     |
| Fixture           | Dmx Mode         | STD/EXT             |
|                   | Run Mode         | DMX/Host            |
|                   | Pan Invert       | Close/Open          |
|                   | Tilt Invert      | Close/Open          |
| Manual control    | Pan              | 0 - 255             |
|                   | Pan Fine         | 0 - 255             |
|                   | Tilt             | 0 - 255             |
|                   | Tilt Fine        | 0 - 255             |
|                   | ⋮                | ⋮                   |
|                   | Reset            | 0 - 255             |
| Light information | Time             | Current Time: xxx H |
|                   |                  | Show Time: xxx H    |
|                   |                  | Power Count: xxx    |
|                   | Sensor           | Type Information    |
|                   | Temperature      | Head Temp: xxx C    |
|                   |                  | Fan Speed: xxxx RPM |
|                   | Software Version | Panel: Vx.xxx       |
| XY Motor: Vx.xxx  |                  |                     |
| Motor: Vx.xxx     |                  |                     |
| Factory setting   | Password         | 0 - 255             |

|               |              |            |
|---------------|--------------|------------|
|               | Pan          | 0 - 255    |
|               | Tilt         | 0 - 255    |
|               | Dimmer       | 0 - 255    |
|               | Color        | 0 - 255    |
|               | Fixed Gobo   | 0 - 255    |
|               | Colorful     | 0 - 255    |
|               | Frost        | 0 - 255    |
|               | Prism1       | 0 - 255    |
|               | Prism2       | 0 - 255    |
|               | Zoom         | 0 - 255    |
| Light reset   | All Reset    | Cancel/Run |
|               | Factory      | Cancel/Run |
| display setup | Language     | CH/EN      |
|               | Display Flip | Close/Open |
|               | Display Mode | Show/60s   |

### 3.DMX512 channels:

| Standard mode (20 channels) | compact mode (16 channels) | DMX number | channel function               |
|-----------------------------|----------------------------|------------|--------------------------------|
| 1                           | 1                          | 0-255      | Pan                            |
| 2                           | 2                          | 0-255      | Pan fine                       |
| 3                           | 3                          | 0-255      | Tilt                           |
| 4                           | 4                          | 0-255      | Tilt fine                      |
| 5                           | *                          | 0-255      | Pan and tilt speed             |
| 6                           | 5                          |            | Strobe                         |
|                             |                            | 0-3        | Shut down                      |
|                             |                            | 4-103      | Strobe from slow to fast       |
|                             |                            | 104-107    | Light on                       |
|                             |                            | 108-207    | Pulse strobe from slow to fast |
|                             |                            | 208-212    | Light on                       |
|                             |                            | 213-225    | Random slow strobe             |
|                             |                            | 226-238    | Random medium speed strobe     |
|                             |                            | 239-251    | Random fast strobe             |
|                             |                            | 252-255    | Light on                       |
| 7                           | 6                          | 0-255      | Dimmer                         |
| 8                           | *                          | 0-255      | Dimming fine                   |

|         |                        |         |                         |
|---------|------------------------|---------|-------------------------|
| 9       | 7                      |         | Color plate             |
|         |                        | 0-4     | White                   |
|         |                        | 5-9     | White + color 1         |
|         |                        | 10-14   | Color 1                 |
|         |                        | 15-19   | Color 1 + color 2       |
|         |                        | 20-24   | Colors 2                |
|         |                        | 25-29   | Color 2+color 3         |
|         |                        | 30-34   | Color 3                 |
|         |                        | 35-39   | Color 3+color 4         |
|         |                        | 40-44   | Color 4                 |
|         |                        | 45-49   | Color 4+Color 5         |
|         |                        | 50-54   | Color 5                 |
|         |                        | 55-59   | Color 5+Color 6         |
|         |                        | 60-64   | Color 6                 |
|         |                        | 65-69   | Color 6+Color 7         |
|         |                        | 70-74   | Color 7                 |
|         |                        | 75-79   | Color 7+Color 8         |
|         |                        | 80-84   | Color 8                 |
|         |                        | 85-89   | Color 8+Color 9         |
|         |                        | 90-94   | Color 9                 |
|         |                        | 95-99   | Color 9+Color 10        |
|         |                        | 100-104 | Color 10                |
|         |                        | 105-109 | Color 10+Color 11       |
|         |                        | 110-114 | Color 11                |
|         |                        | 115-119 | Color 11+Color 12       |
|         |                        | 120-124 | Color 12                |
|         |                        | 125-129 | Color 12+Color 13       |
|         |                        | 130-134 | Color 13                |
| 140-149 | white                  |         |                         |
| 115–199 | Flow from fast to slow |         |                         |
| 200-205 | Flow stop              |         |                         |
| 206-255 | Flow from slow to fast |         |                         |
| 10      | *                      | 0-255   | Color plate fine-tuning |
| 11      | 8                      |         | Fixed gobo              |
|         |                        | 0-9     | White                   |
|         |                        | 10-19   | Gobo 1                  |
|         |                        | 20-29   | Gobo 2                  |
|         |                        | 30-39   | Gobo 3                  |

|    |    |          |                                      |
|----|----|----------|--------------------------------------|
|    |    | 40-49    | Gobo 4                               |
|    |    | 50-59    | Gobo 5                               |
|    |    | 60-69    | Gobo 6                               |
|    |    | 70-79    | Gobo 7                               |
|    |    | 80-89    | Gobo 8                               |
|    |    | 90-99    | Gobo 9                               |
|    |    | 100-109  | Gobo 10                              |
|    |    | 110-119  | Gobo 11                              |
|    |    | 120-127  | Gobo 1 shaking (from slow to fast)   |
|    |    | 128-135  | Gobo 2 shaking (from slow to fast)   |
|    |    | 136-143  | Gobo 3 shaking (from slow to fast)   |
|    |    | 144-151  | Gobo 4 shaking (from slow to fast)   |
|    |    | 152-159  | Gobo 5 shaking (from slow to fast)   |
|    |    | 160-167  | Gobo 6 shaking (from slow to fast)   |
|    |    | 168-175  | Gobo 7 shaking (from slow to fast)   |
|    |    | 176-183  | Gobo 8 shaking(from slow to fast)    |
|    |    | 184-191  | Gobo 9 shaking (from slow to fast)   |
|    |    | 192-199  | Gobo 10 shaking (from slow to fast)  |
|    |    | 200-207  | Gobo 11 shaking (from slow to fast)  |
|    |    | 208-230  | Gobo flow (from fast to slow)        |
|    |    | 231-232  | Flow stop                            |
|    |    | 233-255  | Gobo reverse flow(from slow to fast) |
| 12 | 9  | 0– 255   | Focus                                |
| 13 | *  | 0– 255   | Focus fine-tuning                    |
| 14 | 10 |          | 7 colors                             |
|    |    | 0-127    | empty                                |
|    |    | 128-255  | 7 colors                             |
| 15 | 11 |          | Frost                                |
|    |    | 0-255    | Frost                                |
| 16 | 12 |          | Prism 1                              |
|    |    | 0– 127   | empty                                |
|    |    | 128-255  | Prism 1 opens                        |
| 17 | 13 |          | Prism 1 rotate                       |
|    |    | 0– 63    | Prism 1 linear orientation           |
|    |    | 64– 126  | Clockwise flow from fast to slow     |
|    |    | 127– 128 | Flow stop                            |

|    |    |         |   |
|----|----|---------|---|
|    |    | 129–191 | Counterclockwise flow from slow to fast   |
|    |    | 192–255 | Bi-direction rotation (from slow to fast) |
| 18 | 14 |         | Prism 2                                   |
|    |    | 0–127   | empty                                     |
|    |    | 128-255 | Prism 2 open                              |
| 19 | 15 |         | Prism 2 Rotate                            |
|    |    | 0–63    | Prism 2 linear orientation                |
|    |    | 64–126  | Clockwise flow from fast to slow          |
|    |    | 127–128 | Flow stop                                 |
|    |    | 129–191 | Counterclockwise flow from slow to fast   |
| 20 | 16 |         | reset                                     |
|    |    | 200–250 | Light reset                               |
|    |    | others  | empty                                     |

#### 4. master-slave mode online explanation

Set one of the machines as the master unit, select the auto operation, set the other machines as the slave unit, set the slave machine as DMX address code 001 state, connect the signal line, at this time, the slave unit are controlled by master unit, and its function is synchronized with the current function of the master units

#### 5. Instructions and remarks

Warning, danger of electric shock



The light source inside this lamp should be replaced by the company or our service agent or a person with similar qualifications.

1. Check whether the power supply and voltage are normal before use. If the voltage fluctuates greatly, it is recommended to use voltage stabilizer or voltage regulator for power supply.
2. This equipment belongs to the first class protective light and the

product power cord must be grounded and well grounded when used

3. The cover temperature of this equipment is 40-50 °C at work, do not touch the cover.

4. The internal components of the equipment must be purchased from the manufacturer.

5. When using controller, try to avoid signal interference sources (example: wireless intercom, high-frequency transmitter, etc.)

6. When using this product, a maximum of 20 identical products can be controlled within 20 meters of the same signal line. If exceeding this range, additional signal amplification equipment is needed to amplify the signal before it can be used.

7. The light source in use must be controlled within the service time indicated by the light source. After the service time is reached, please change the light source in time before use.

## **6. Installation requirement**

1. The product shall be free from corrosive vapors and gases in the operating environment and shall not contain inflammable and explosive articles.

2. Keep the distance between the light outlet direction and the subject at least more than 1 meters.

3. The direction of the light is an optical lens. No external force can hit the glass in the process of operation. If the lens is damaged, it can only be used after the professional technician replacing the lens of the same specifications .

4. When the outer cover of the power cord is damaged, it must be replaced with a new power cord of the same specification by relevant professional personnel before use.

5. When the product is hung and installed, the load bearing of the hanging device shall be at least 3 times greater than the weight of the product, and the safety rope shall be fastened on the auxiliary hanging device of the lamp, and the load bearing of the safety rope shall be more than 3 times greater than the weight of the product.

6. The lens and light source of this product must be fully used together. When any part is damaged, it shall be replaced by relevant professional personnel before it can be used again.

7. In the operating environment, it must be determined that the current voltage provided is within the range required by this specification well grounded.

## The company reserves the right to amend this product manual without prior notice.



### 保修卡 Protection to Fix Card

非常感谢您使用我们的产品

1. 本产品从购买日起，正常操作使用并未经拆修，经保修人员确认属产品质量问题，一年内享受保修服务，在任何正常情况下均提供维修。
2. 保修卡应在购买时予填写。保修卡无本公司保修章无效。产品维护时请带保修卡。

Very thank you for using our products

1. This product from the acquisition, normal operation and all the parts inside the, the warranty of quality products confirm asked problem, enjoy a year warranty service, in any normal maintenance are available.
2. The warranty card when buy should be to fill in. Without this company product warranty chapter ss invalid. Please bring the product maintenance warranty Card.

| 顾客姓名<br>Customer Name    | 购买日期<br>Purchasing Date | 产品型号<br>Product Model | 购买商<br>Purchaser |
|--------------------------|-------------------------|-----------------------|------------------|
|                          |                         |                       |                  |
| 保修记录：<br>Warranty record |                         |                       |                  |

广东雅格莱灯光音响有限公司  
Guangdong YaGe Lai Lighting & Audio Limited  
地址：广州市白云区人和镇东华工业区东昌路6号  
Address: No.6., Dong Chang Road, Dong Hua Emigrant Industrial Park, Ren He Town, Baiyun District,  
Guangzhou City, Guangdong province, China.



# 合格证

CERTIFICATE

本产品经检验符合技术条件, 准予出厂:  
The product Has Been Tested According To Technical Requirements And Passed:

检验员 \_\_\_\_\_