

**Guangdong Yellow River Lighting Technology
Limited**

**380W Beam+Wash+Spot Moving
Head**

(Model: YR-380BSW)



**Please read this manual carefully
before you use this machine**

Contents

Section 1. Getting Started

- ✧ Unpacking
- ✧ Safety Instruction
- ✧ Instructions and remarks

Section 2. Set Up

- ✧ Installation
- ✧ installation requirements:
- ✧ Controlling Board
- ✧ Machine Connection
- ✧ Master Slave Mode Introductions

Section 3. Troubleshooting

- ✧ Troubleshooting

Section 4. Reference

- ✧ Menu
- ✧ DMX Protocol
- ✧ Specification

Section 1. Getting Started

- ✧ Unpacking
- ✧ Safety Instruction
- ✧ Instructions and remarks

Unpacking

- 1pc fixture(lamp installed)
- 1pc User Manual
- 1pc Power Cable
- 1pc Signal Cable
- 2pc Fast-lock Omega Clamp (1/4 turn)

Thanks for using our YR-380BSW moving beam. Carefully unpack the box and check the contents to ensure that all parts are present and in good conditions. If anything damaged during transit, notify the shipper immediately and keep the packing material for inspection. Again, please save the carton and all packing materials. If the fixture must be returned to manufacturer, it is important that the fixture be returned in the original manufacturer box and packing.



Safety Instruction

For your safe, please read this user manual carefully before turn on the fixture. This machine should be operated by qualified engineer!

- Please conserve this manual as operation guidance. If you sell this product to other user, please make sure that they also receive this user manual.
- Always make sure that you are connecting to the proper voltage and the line voltage not higher than stated on the decal or rear panel of the fixture.
- This lighting is intended to indoor use only. To prevent risk of fire or shock, do not expose fixture to rain or moisture. Make sure there are no flammable, explosive or corrosive materials surrounded in 10 /*-meters while operating.

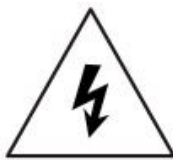
- The unit must be installed in a location with adequate ventilation, at least 5m away from adjacent surfaces. Be sure that no ventilation slots are blocked.
- Fixture may carry high heat, do not aim at objective exceeding 2 minutes.
- Safe wire should be used to install machine. Bearing of safe wire should be 3 times of the machine weight.
- Always disconnect from the power source before servicing or replacing fuse/lamp and be sure to replace with same fuse/lamp size and type. Cut off power before moving, repairing and cleaning the machine.
- To avoid electric shock, all fixtures must be connected to circuits with a suitable ground.
- Always secure fixture using a safety chain and carrying handles. Never carry the fixture by its cord.
- Do not operate at ambient temperatures higher than 104°F(40°C).
- In case of failure or malfunction occurred, stop using the unit immediately. Never try to repair the unit by yourself. Repairs carried out by unskilled people can lead to damage or malfunction. Please contact the nearest authorized technical assistance center. Buy the same spare parts/components from manufacturer directly.
- Make sure the power cord is never crimped or damaged.
- Avoid direct eye exposure to the light source while it is on.
- Do not power on and power off the fixture in a short time.
- When use DMX controller, please make sure that there is no interference sources (e.g. intercom, high frequency radio waves and radiation source).

Caution!

There are no user serviceable parts inside the unit. Do not open the housing or attempt any repairs yourself. If exceptional problem happen, please contact related after-sale department or manufacturer.

Any damage that caused by violating this manual is out of insurance, our company will not take the responsibility.

Instructions and remarks



Warning. Electric shock

The light source inside this lamp should be replaced by our company or our service agent or person with similar qualification

1. Check whether the power supply and voltage are normal before use. If the voltage fluctuates greatly, it is recommended to use voltage stabilizer or voltage regulator.
2. The equipment belongs to the first-level protective lamps. The power cord of the product must be grounded and well grounded when used

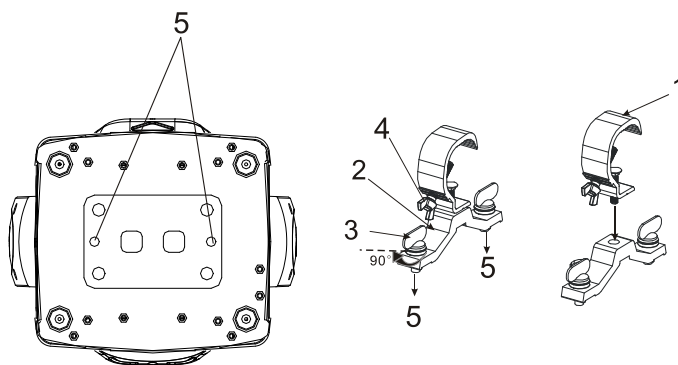
3. This equipment shell temperature around 40 to 60 °C while work, do not touch the shell
4. The internal components of the equipment must be purchased from the manufacturer
5. Use the console control as far as possible avoid neighbors have interference sources (example: wireless walkie-talkie, high frequency source, etc.)
6. When using this product, the same signal lines within 20 meters maximum control 20 sets of the same products, beyond this range should be an additional signal amplification devices amplify the signal to use
7. Light source in use, must be controlled within the indicated the use time of light source, out of timer, please change the lamp;

Section 2. Set Up

- ✧ Installation
- ✧ Installation requirement
- ✧ Controlling Board
- ✧ Machine connection
- ✧ Master Slave Mode Introductions

Installation

- This machine should be mounted through the screw holes of truss. Safety wire is a must to
- fix fixture well. Make sure truss and safety wire have strong load capacity to bear 3 times *weight than fixture at least.*
- This machine should be installed by qualified technician.



Installation requirement

1. The product shall be free from corrosive vapors and gases in the operating environment and shall not contain inflammable and explosive articles.
2. Keep the distance between the light outlet direction and the subject at least more than 3 meters.

3.The direction of the light is an optical lens. No external force can hit the glass in the process of operation. If the lens is damaged, it can only be used after the professional technician replacing the lens of the same specifications .

4. When the outer cover of the power cord is damaged, it must be replaced with a new power cord of the same specification by relevant professional personnel before use.

5.When the product is hung and installed, the load bearing of the hanging device shall be at least 3 times greater than the weight of the product, and the safety rope shall be fastened on the auxiliary hanging device of the lamp, and the load bearing of the safety rope shall be more than 3 times greater than the weight of the product.

6. The lens and light source of this product must be fully used together. When any part is damaged, it shall be replaced by relevant professional personnel before it can be used again.

7. In the operating environment, it must be determined that the current voltage provided is within the range required by this specification

Well grounded.

8.When changing the light source, disconnect the power first, open the head plastic cover, and open the bracket of the light source area, and change the light source with the same specification .

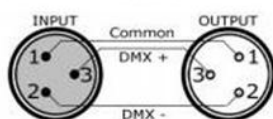
The company reserves the right to amend this product manual without prior notice

Controlling Board



Machine Connection

Cables must have a male XLR connector on one end and a female XLR connector on the other end.



A word on termination: DMX is a resilient communication protocol, however errors still occasionally occur. Termination reduces signal errors, and therefore best

practices include use of a terminator in all circumstances. If you are experiencing problems with erratic fixture behavior, especially over long signal cable runs, a terminator may help improve performance.



To build your own DMX Terminator: Obtain a 120-ohm, 1/4-watt resistor, and wire it between pins 2&3 of the last fixture. They are also readily available from specialty retailers.

**Complimentary signal cable can transmits signals to 20 unit fixtures at most.
Signal amplifier is a must to connect more fixtures**

Master Slave Mode Introductions

Set one of the machines as the host, select self-running, set the other machines as the slave, and the slave machines as the DMX address code 001 state, connect the signal line. At this time, the slave machines accept the host control, and the functions are synchronized with the current functions of the host.

Section 3. Troubleshooting

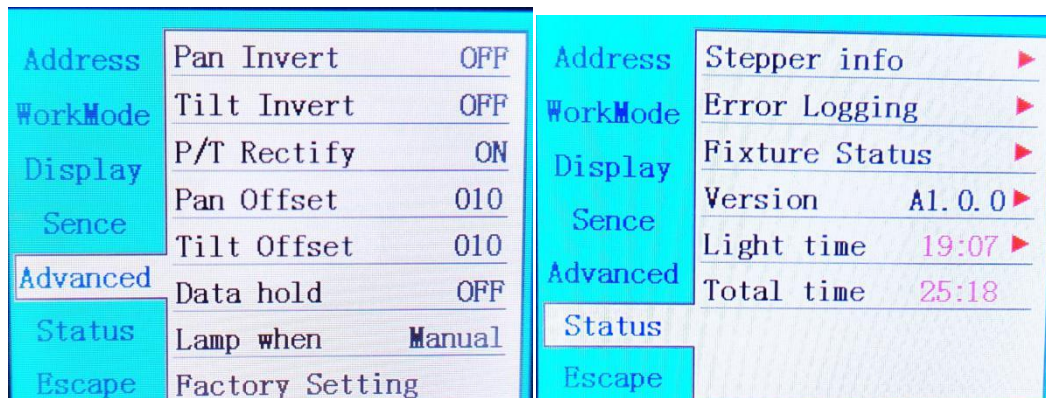
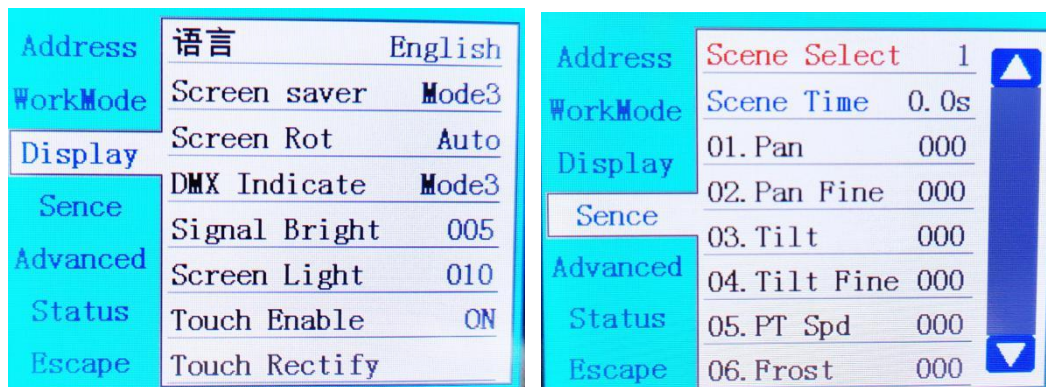
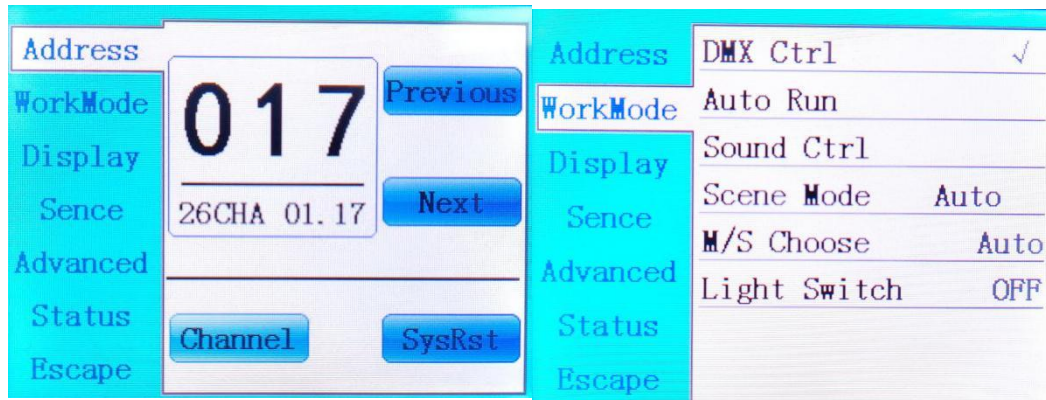
Troubleshooting

Problem	Probable cause(s)	Remedy
---------	-------------------	--------

No response from fixture when power is applied	No power to fixture	Check power cables
	Primary fuse blown	Replace fuse
	Secondary fuse blown	Replace fuse
Fixture resets but does not respond correctly to controller(DMX mode operation)	Controller not connected	Connect controller
	Incorrect addressing of the fixtures	Check address setting on fixture and controller
	Bad data link connection	Inspect cables and correct poor connections and/or broken cables.
	Conflict between tracking and vector control	Eliminate scene cross-fade on controller
	Data link not terminated	Insert termination plug in output of last fixture
	Defective fixture or 2 devices transmitting on link	Bypass fixtures one at a time until normal operation is regained:unplug both connectors and connect them directly together
Colors cannot be mixed	Random color mixing is on	Turn off random color mixing
Fixture does not reset correctly	Electronic or mechanical failure	Contact service technician
No light, lamp cuts out intermittently, or burns out too quickly	Lamp missing or blown	Disconnect fixture and replace lamp
	Fixture or lamp is too hot	Allow fixture to cool. If problem persists,contact service technician

Section 4. Reference

Menu



2.1 Address setting Introductions:

Select "last one" or "next one", the lamp will automatically calculate the address code of the next one or the last one according to the current address code and channel data, which can be quickly set

Click the address code number to enter the number editing window, where you can set any valid address code. The lamp will automatically get the current channel number of the lamp and automatically filter the unavailable address code (512-Current channel number)

Support RDM protocol , the fixture address code can remotely be set by RDM .

Channel mode: different channel modes can be selected circularly;

Light reset: reset all the motors.

2.2 operation mode:

DMX mode	console mode, receive DMX signal, RDM signal	
Auto mode	Fixture automatically run according to built-in program	
Sound active mode	When the lamp detects strong sound in the voice control mode, the lamp will automatically run a scene according to the built-in program, otherwise, the scene of the last time will be maintained	
Scene mode 01	Runs as a set of scenarios, supporting up to 10 custom editing scenarios	
	1~10	Outputs the specified scenario
	Auto	The scene is automatically looped out in the set time (non-0) sequence, and the scene with time 0 is automatically skipped and ignored
Master-slave	When it is not in DMX mode, select the mode of data output, and the fixture will automatically detect the state of DMX and automatically switch the output to prevent data conflict	
	Master unit	The fixture runs by built-in program. If DMX has no signal, it will output data (synchronization); otherwise, it will not output data
	Slave unit	Fixture operate as built-in program and does, no output data (not synchronous with other fixtures)
	Auto	If there is no signal from DMX, the fixture will operate by built-in program; otherwise, the fixture will operate by DMX signal
Lamp switches	When the confirmation dialog box pops up, select "SURE" to confirm the current operation, turn on or off the light bulb, and the time interval is limited to 30 seconds	
	Turn off	The current bulb output is off

	Turn on	The current bulb output is on

2.3 Display Settings

Language	Set the display language	
	English	English support
	Chinese	Chinese support
Screen saver	After setting up the screen for 30 seconds without any operation, display's content or instructions:	
	Off	Keep the final action page, screen on
	Model 1	Screen off
	Model 2	Screen black, The address code of light is displayed in the lower left corner
	Model 3	Display trademark information, address code, and run mode
Screen rotation	Set the display direction of the screen	
	OFF	No display rotation
	ON	Display rotation
	Automatic	Automatic detection of light hanging direction, automatic change of display direction
DMX instructions	Set the indication mode of DMX signal indicator light	
	Model 1	It lights on when there is a signal and goes off when there is no signal
	Model 2	It lights off when there is a signal and on when there is no signal
	Model 3	The lights flashes when there is a signal and turns off when there is no signal
Signal indicating brightness	Set the brightness of the signal indicator	
	1~10	10 grades
Screen backlight	Set the brightness of the screen backlight after 10 seconds without operation, all lights on during operation	
	1~10	10 grades
Touch screen switch	Select whether to disable the touch screen. When the screen touch is accidentally damaged, you can disable the touch function and set the light with auxiliary input	
Touch correction	When the screen touch is not accurate, you can enter the correction page to correct the screen	

2.4 Scene Mode:

Under this page, the light will not receive DMX console data, and the edited data will be immediately reflected on the light. The content of the page depends on the currently selected channel, and the displayed channel content and sequence are consistent with the channel table of light. Through this page, 10 scenes can be edited, as shown in the following table:

Scene choice	Select the currently desired scene	
	1~10	10 scene setting format
Scene time	Sets the retention time of the current scene when auto run, Unit 0.1s	
	0	The current scene does not participate in automatic scene output
	1-255	0..1 s-25.5s
1. Pan	0-255	Set the data of each channel, and the display content and sequence correspond to the channel table of the light
.....	0-255	
.....	0-255	
N. Function	0-255	

If the effective reset data is edited in the reset channel in the scene, the light will be reset, but after the reset, the value of the corresponding reset channel will be automatically reset to prevent repeated continuous reset.

2.5 Advanced Setup:

Pan Reverse	Set Pan direction of rotation	
	Off	Do not reverse
	On	Reverse
Tilt Reverse	Set Tilt direction of rotation	
	Off	Do not reverse
	On	Reverse
Optocoupler Revise	Set whether the fixture detects Pan/Tilt out-of-step and corrects	
	Off	Do not correct position after out of step
	On	Automatically correct position after out of step and record out of step fault.
Pan Offset	Set the position of zero point of Pan	
	4-150	
Tilt Offset	Set the position of zero point of Tilt	
	4-48	

Data-hold	When setting no DMX signal of the signal,the machine's output state:	
	Off	When no signal,all motors and light source return to the position and state of reset complete.
	On	When no signal,keep the last frame of DMX data output.
Light Up Mode	Set the bulb's first open mode after power on.	
	Light up after power on	Turn on the light bulb first and reset the lamp after 30 seconds.
	Light up after reset	Reset the machine after 3s' power on ,then light up.
	Manual light up	When complete reset,light up by menu or manual console
Factory Settings	The confirmation box pops up, and after selecting "SURE", the lamp parameters return to the factory Settings	

Select light up after power on,after power on,wait for 30s to let the bulb fully initiate,start reset after bulb's internal voltage is stable enough,if voltage is stable,recommend to select "light up after power on mode"

When the machine cannot adjusted to its position,please check if shut down the "optocoupler revise".

After unplug the signal cord,if the fixture's position is not output as intended,please check the set of "data-hold".

2.6 status information

Motor information	Display information status of all motors and signals in the fixture	
	Hall	Not displayed, indicating that the motor has no Hall correction, 0 means the motor leaves the correction position, and 1 means the motor is in the correction position.
	status	Display motor reset completion status
	Pan	Display real-time position values of pan optocoupler feedback
	Tilt	Display real-time position values of tilt optocoupler feedback

	Optocoupler	Display the status of the two signals of the pan and tilt optocouplers, binary
Fault/ state us record	Display the last 8 fault records of the lamp reset and operation. The fault record is not saved after power off.	
	Fault data	Total number of faults detected after power-on
	12: :03	Power-on time when the fault occurs,unit is in minutes
	Hall fault	The motor does not detect a valid Hall signal when the motor is reset.
	Hall short circuit	when the motor is reset,the Hall signal detected is always valid.
	Optocoupler fault	No valid optocoupler signal detected when motor reset
	Out of step	Corresponding motor out of step during operation
	Bump rod	When the motor is reset,bump the positioning rod
	Lamp failure	The bulb is accidentally extinguished
	Sensor fault	The temperature sensor signal is abnormal,
	Fan fault	The main fan is not working properly.
Fixture status	Display key status data of the current fixture for reference	
	Communication	0~100%, Communication quality of the internal data of the luminaire
	Error count	The total number of error frames detected after power-on, accumulated
	Light source temperature	Display the temperature of the current light source, "---" means no detection
	Display panel temperature	Display the temperature of the current display panel or the ambient temperature in the vicinity
	Sensor 1 temperature	Displays current motherboard temperature or the ambient temperature of the motherboard installation location
Version information	Display the information and version of the current luminaire, an important reference for after-sales maintenance	

	Device	The name of the fixture, the same as the device information of the RDM
	Model	Model of the luminaire, same as the model information of the RDM
	Display board	Display board firmware version and serial number
	Motherboard 1	Motherboard 1 firmware version and serial number
Light source time	Record the total accumulated time of the light source on, the unit is in minutes, the user can manually remove it.	
Fixture time	Record the total accumulated time of the light on, unit is in minutes, not clearable	

DMX Protocol

20 CH MODE:

CH	Function	Number	Description
CH1	Pan	0-255	0-540 degrees
CH2	Pan fine-tuning	0-255	0-2 degrees
CH3	Tilt	0-255	0-270 degrees
CH4	Tilt fine-tuning	0-255	0-1 degrees
CH5	Pan and tilt speed	0-255	From fast to slow
CH6	Frost	0-127	no
		128-255	Enter the frost
CH7	Dimmer	0-255	0-100% dimmer
CH8	Strobo	0-3	Lights close
		4-103	From slow to fast Pulse strobo
		104-107	Lights on
		108-207	From slow to fast Shade strobe
		208-212	Lights on
		213-251	From slow to fast Random strobe

		252-255	Lights on
CH9	Color	0-4	White
		5-9	White+Color 1
		10-14	Color 1
		15-19	Color 1+Color 2
		20-24	Color 2
		25-29	Color 2+Color 3
		30-34	Color 3
		35-39	Color 3+Color 4
		40-44	Color 4
		45-49	Color 4+Color 5
		50-54	Color 5
		60-64	Color 6
		65-69	Color 6+Color 7
		70-74	Color 7
		75-79	Color 7+Color 8
		80-84	Color 8
		85-89	Color 8+Color 9
		90-94	Color 9
		95-99	Color 9+Color 10
		100-104	Color 10
		105-109	Color 10+Color 11
		110-114	Color 11
		115-119	Color 11+Color 12
		120-124	Color 12
		125-129	Color 12+Color 13
		130-134	Color 13
		135-139	Color 13+Color 14
		140-144	Color 14
		145-149	Color 14+White
		150-199	From fast to slow Forward flows

		200-202	Stop
		203-255	From slow to fast Reverse flows
CH10	Gobo	0-9	white
		10-14	Pattern 1
		15-19	Pattern 2
		20-24	Pattern 3
		25-29	Pattern 4
		30-34	Pattern 5
		35-39	Pattern 6
		40-44	Pattern 7
		45-49	Pattern 8
		50-54	Pattern 9
		55-59	Pattern 10
		60-64	Pattern 11
		65-69	Pattern 12
		70-74	Pattern 13
		75-79	Pattern 14
		80-84	From slow to fast Shake pattern 1
		85-89	From slow to fast Shake pattern 2
		90-94	From slow to fast Shake pattern 3
		95-99	From slow to fast Shake pattern 4
		100-104	From slow to fast Shake pattern 5
		105-109	From slow to fast Shake pattern 6
		110-114	From slow to fast Shake pattern 7
115-119	From slow to fast Shake		

			pattern 8
		120-124	From slow to fast Shake pattern 9
		125-129	From slow to fast Shake pattern 10
		130-134	From slow to fast Shake pattern 11
		135-139	From slow to fast Shake pattern 12
		140-144	From slow to fast Shake pattern 13
		145-191	From slow to fast back and forth flows
		192-223	From fast to slow Forward flows
		224-255	From slow to fast Reverse flows
CH11	Effect Gobo	0-10	White
		11-20	Pattern 1
		21-30	Pattern 2
		31-40	Pattern 3
		41-50	Pattern 4
		51-60	Pattern 5
		61-70	Pattern 6
		71-80	Pattern 7
		81-90	Pattern 8
		91-100	Pattern 9
		101-110	From slow to fast Shake pattern 1
		111-120	From slow to fast Shake pattern 2
		121-130	From slow to fast Shake pattern 3
		131-140	From slow to fast Shake pattern 4
		141-150	From slow to fast Shake

			pattern 5
		151-160	From slow to fast Shake pattern 6
		161-170	From slow to fast Shake pattern 7
		171-180	From slow to fast Shake pattern 8
		181-191	From slow to fast Shake pattern 9
		192-223	From fast to slow Forward flows
		224-255	From slow to fast Reverse flows
CH12	Rotation gobo	0-10	White
		11-20	Pattern 1
		21-30	Pattern 2
		31-40	Pattern 3
		41-50	Pattern 4
		51-60	Pattern 5
		61-70	Pattern 6
		71-80	Pattern 7
		81-90	From slow to fast Shake pattern 1
		91-100	From slow to fast Shake pattern 2
		101-110	From slow to fast Shake pattern 3
		111-120	From slow to fast Shake pattern 4
		121-130	From slow to fast Shake pattern 5
		131-140	From slow to fast Shake pattern 6
		141-150	From slow to fast Shake

			pattern 7
		151-199	From fast to slow Forward flows
		200-202	Stop
		203-255	From slow to fast Reverse flows
CH13	Gobo self -rotate	0-127	0-400 degrees
		128-190	From fast to slow Forward flows
		191-192	Stop
		193-255	From slow to fast Reverse flows
CH14	Prism 1	0-127	no
		128-255	Enter prism 1
CH15	Prism 1 self -rotate	0-127	0-400 degrees
		128-187	From fast to slow Forward flows
		188-195	Stop
		196-255	From slow to fast Reverse flows
CH16	Prism2	0-127	no
		128-255	Enter prism 2
CH17	Prism 2 self -rotate	0-127	0-400degrees
		128-187	From fast to slow Forward flows
		187-195	Stop
		196-255	From slow to fast Reverse flows
CH18	zoom	0-255	From small to large
CH19	focusing	0-255	From far to near
CH20	Reset	100-105	more than 3 seconds,turn off the lights
		110-115	more than 3 seconds,turn on the lights
		210-215	more than 3 seconds, Pan and tilt reset
		220-235	more than 4 seconds,effect motor reset
		240-255	more than 5 seconds,reset all

Specification

Source parameters :

Lamp Source: 380W 18R

Lifespan:1500H

CCT: 7800K

controls parameter:

Strobe: 1-20Hz, support mechanical strobe and adjustable speed strobe

Control: DMX512、RDM

Channel: 20CH

Control Mode: DMX512, master-slave,auto

Touch screen Display: LCD color screen, can set the channel mode, horizontal vertical inversion, back screen, signal hint, switch in both Chinese and English, automatic screen off/lasting bright screen, display channel number,record light source time, boot time and fault inspection, scene setting, the software version information, restore factory Settings

Effect of parameters:

Color Wheel: 14color+ +1CTO+1CTB + White open + semi-color effect;

Fixed Gobo Wheel 1: 9 gobos+ white open + Shake + bi-direction flow effect;

Fixed Gobo Wheel 2: 10 gobos+ 4 different size beam holes + Shake + bi-direction flow effect;

Rotation Gobo Wheel: 6 gobos + water wave glass endless rotation+ white open + bi-direction flow effect.

Prism: 8 facet + 16 facet

X/Y scan: Three-phase motor, pan 540°,tilt:270°, photoelectric reset and correction

Beam Angle: Linear focusing zoom 2.3° - 50 °

Working parameters:

Voltage: AC100V~240V,50/60Hz

Power: 650W

Safety parameters:

Safety protection: the power will be cut off automatically when the fixture is overheating or with system error

Running temp.: 40 degree below

Fixture parameters:

Display: 1pc screen touch display + 4pc buttons

Power interface: 1 powercon;

Signal interface: 3 pin

Level of Protection: IP20

Net weight: 23.45KG

Size: 409.9*323.9*670.5mm

