



GUANGDONG YA GE LAI LIGHTING & AUDIO LIMITED

240PCS*0.5W Warm White+240PCS*0.5W Pure White

Mute Conference Light

(Item: YR-W480M)



Instruction

(Please read the manual carefully before using the product.)

User Manual

Attention:

Any damage caused by ignoring this manual does not belong to the scope of the warranty, and the manufacturer does not bear any responsibility for all consequences and problems caused by this. Please note that the damage caused by violation of the operating procedures is not within the scope of the warranty.

1. Technical specification :

- **Light Source:**

480x0.5W(240Warm White 3200K + Pure White 5600K)

Beam angle: 120°

- **Control parameters**

Strobe: 0-20Hz

Dimmer: standard dimmer

Control: DMX512, RDM

Channel: CH4、CH2A、CH2B

Built-in programming: 3 strobe

Control mode: DMX512, manual, master-slave

Noise: silent, no fan

Over temperature protection: when temperature up to 80°C, power consumption will reduce.

Real-time monitoring: light source temperature, signal display

Working parameters:

Voltage: AC100V~240V (50/60Hz)

Rated power: 250W

Maximum Ambient Temperature: 40°

Light parameters:

Case : a full set of aluminum alloy (high temperature resistance), fine sand paint (high-end wear-resistant)

Display: LED digital tube display +4 buttons, supports 30s instant blackout and light on

Power interface: one in(Blue) one out(White) powercon

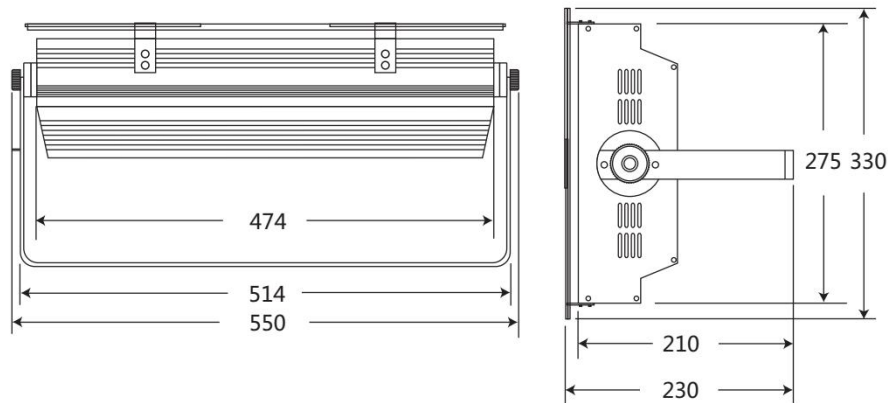
Signal interface: 3 pin(5 pin for optional) ,one in one out

Barndoor: with barndoor

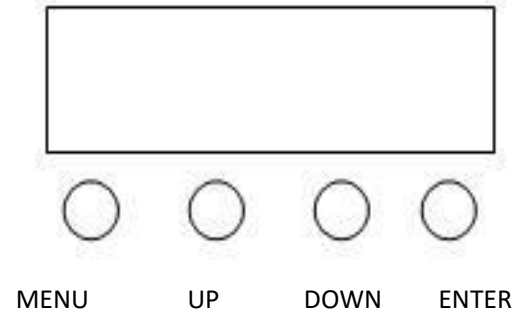
Waterproof grade: IP20

Net Weight:6.75KG

Size:



2.Operation Instruction:



Press the MENU key to cycle through 6 different menus. Press the ENTER key to enter the corresponding menu, press UP (plus key) or DOWN (minus key) to modify the current value. Press the ENTER key to save the current value.

3.Menu function reference table:

| S/N | Menu | Function (ENTER) |
|-----|-------|---|
| 1 | d--- | DMX512 address code setting: 001-512, when there is signal connection, the lower right corner indicator lights up |
| 2 | N--- | Pure White brightness adjustment: 0-255 |
| 3 | H--- | Warm White brightness adjustment: 0-255 |
| 4 | F--- | Stroboscopic and speed adjustment: 0 invalid; 1-84 thunder stroboscopic; 85-169 random stroboscopic; 170-255 standard stroboscopic. |
| 5 | FAN-- | Extended use reserved for future use when needed |
| 6 | dp-- | dp0/1: 30s instant blackout and light on |
| 7 | CH-- | CH4/CH2A/CH2B: Channel selection |

4.DMX512 channel description:

4 Channels:

| S/N | Function | Description |
|-----|----------|-------------|
|-----|----------|-------------|

| | | |
|-----------|---------------|--|
| Channel 1 | Total dimming | 0-255 : Total dimming linear dimming , from Dark to Bright. |
| Channel 2 | Pure White | 0-255: Pure White linear dimming , from Dark to Bright. |
| Channel 3 | Warm white | 0-255: Warm White linear dimming , from Dark to Bright. |
| Channel 4 | Strobe | 0: invalid; 1-84: thunder stroboscopic; 85-169: random stroboscopic; 170-255: standard stroboscopic. |

2 Channels A:

| S/N | Function | Description |
|-----------|------------|---|
| Channel 1 | Pure White | 0-255: Pure White linear dimming , from Dark to Bright. |
| Channel 2 | Warm White | 0-255: Warm White linear dimming , from Dark to Bright. |

2 Channels B:

| S/N | Function | Description |
|-----------|---------------|--|
| Channel 1 | Total dimming | 0-255 : Total dimming linear dimming , from Dark to Bright. |
| Channel 2 | Strobe | 0: invalid; 1-84: thunder stroboscopic; 85-169: random stroboscopic; 170-255: standard stroboscopic. |

5.Master-Slave Control Model:

Master and slave: Set up one fixture as Master fixture(triggering), other fixtures as slave fixtures(the DMX menu, and the address code must be 001) , Slave fixtures under DMX add. Connect the signal cable, the slave fixtures will run and keep function synchronism as master fixtures.

Console to fixtures: Set up all fixtures same or different address value or follow DMX console performance. Connecting to console using signal cable, fixture is controlled by console.

6.Instructions and remarks :

1, Always make sure that you are connecting to the proper voltage and that the line voltage you are connecting to is not higher than that stated on the decal or rear panel of the fixture.

2, When using this equipment, the power cord must be well grounded and taken care of by professionals.

3, Do not touch its surface when operating

4. The internal components of this equipment must be purchased from the manufacturer.

5. When using console, try to avoid neighboring interference sources. (Example: wireless walkie-talkie, high-frequency emission source, etc.)

6. When using device, only 20 sets of the same product can be controlled within 20 meters of the same signal line . If it exceeds this range, a signal amplification device must be used to amplify the signal before it can be used, and the DMX output port on the last lamp Install a terminal product and solder a 120 ohm 1/4W resistor between Pin2 and Pin3 .

7. The input power cord of this equipment is equipped with a specification of 1 square meter. When the outer skin of the power cord is exposed and damaged, a new power cord of the same specification must be replaced.

8. When the light source reaches its end of life, the entire lamp should be replaced.

9. The continuous use time of the equipment cannot exceed 8 hours each time .

10. The power cord of the same input terminal can connect up to 4 lamps.

11. The lens and light source of this equipment must be used together. When any accessory is damaged, it must be replaced by a relevant professional before it can be used.

7. Instructions and remarks :

1. There should be no corrosive steam and gas in the using environment, and no flammable and explosive materials.

2. Keep the distance between the light outlet and the illuminated object at least 1 meter, and keep it away from moisture and corrosive gases.

3. When the product is suspended and installed, the load of the hanging parts should be at least 3 times than the weight of the product, and an auxiliary suspension safety rope should be made on the product, the load of the safety rope should be at least 3 times than the weight of the product .

The company reserves the right to modify this product manual without notice.