



7*40W LED Moving Head (Model:YR-M4007Q)



User Manual

Please read these instructions carefully before use



Certificate

Product Name: _____
 Product Model: _____
 Inspector: _____
 Inspection Date: _____
 Execution Standard: GB7000-217-2008
 This product has been inspected and qualified for shipment.



Guangdong Yellow River Lighting Technology Limited
 National Service Hotline: 400-618-4388

Product Warranty Card

Dear Customer:
 Thank you very much for purchasing our product. In the future use, you will enjoy the one-year after-sales service warranty provided by us.

Warranty Terms:
 This product, from the date of purchase, under normal operation and without repair, if confirmed by the warranty personnel to be a product quality issue, will enjoy the warranty service within one year, and maintenance will be provided under any normal circumstances.
 The warranty card should be filled out at the time of purchase, and the warranty card is invalid without the warranty seal of our company. Please bring the warranty card when the product is maintained.

Customer Information

Customer Name: _____ Buyer: _____
 Date of Purchase: _____ Product Model: _____

Warranty Record

Repair Date	Fault and Solution	Repair Date	Repair Technician

Guangdong Yellow River Lighting Technology Limited
 After-sales Service Address: C 108 Building, No.41 Dawang Avenue,
 Wuyang Zhongshang Service Zone, Zhongchuan High-tech Zone, Zhongshan City, Guangdong, China

Notes:

Any damage caused by disregard of this manual does not belong to the scope of warranty, and the manufacturer shall not bear any responsibility for all consequences and problems arising therefrom. Please note that the damage caused by violation of operating procedures does not belong to the scope of warranty.

1.technical index:**Light source parameters:**

LED light:LED7*40W RGBW OSRAM

LED lifespan :50000H

Control parameters:

Stroboscopic: 1: - 30 t/s

Control signal:DMX512 protocol 、RDM、 (ArtNet 、sACN can be customized)

Control channel: standard mode 17CH/ extended mode 38 CH/pattern mode 18CH/ HSI mode 11CH

Operating modes: DMX512 / master-slave/auto/

Cooling way: intelligent temperature control cooling fan, the fan off while temp. under 40°C (104°F) , while above 40°C (104°F) the higher the temperature the faster the fan is

Light source control modes: pixel control

Display function: 2.0 inch LCD color screen, can set the channel mode (standard/extended/pattern/HSI) horizontal vertical inversion, back screen, signal hint, switch in both Chinese and English, automatic screen off/lasting bright screen, display channel mode,light source temperature, fan speed, record boot time, and times of start,fault inspection, manual control channel data memory, the software version information, restore factory Settings, scan and color correction

LED work mode:support instant lights on and off

Scanning: the use of three-phased motors, Pan 540 degrees / 1.8s, Tilt 270 degrees/0.9s, 8-16 bit scanning, using photoelectric reset with automatic error correction function

ZOOM and light output Angle: electronic reset, running with 3 motors at the same time,9°--44° /1.7s

6.Installation requirement

1. The product shall be free from corrosive vapors and gases in the operating environment and shall not contain inflammable and explosive articles.
2. Keep the distance between the light outlet direction and the subject at least more than 1 meters.
3. The direction of the light is an optical lens. No external force can hit the glass in the process of operation. If the lens is damaged, it can only be used after the professional technician replacing the lens of the same specifications .
4. When the outer cover of the power cord is damaged, it must be replaced with a new power cord of the same specification by relevant professional personnel before use.
5. When the product is hung and installed, the load bearing of the hanging device shall be at least 3 times greater than the weight of the product, and the safety rope shall be fastened on the auxiliary hanging device of the lamp, and the load bearing of the safety rope shall be more than 3 times greater than the weight of the product.
7. In the operating environment, it must be determined that the current voltage provided is within the range required by this specification
Well grounded.

The company reserves the right to amend this product manual without prior notice.

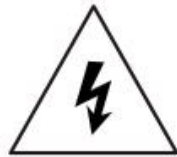
HSI mode: Under this mode, Hue, Saturation and Intensity of color can be set please follow the Channel Chart for usage instruction.

4. master-slave mode online instructions

Set one of the machines as the master item, select the self-walk operation, set the other machines as the slave machine, the slave machine is set as DMX address code 001 state, connect the signal line, at this time the slave machine accepts the host control, function keep synchronization with the master machine.

5. Instructions and remarks

Warning !Risk of shock



The light source inside this machine should be replaced by our company or our service agent or person with similar qualification

1. Check whether the power supply and voltage are normal before use. If the voltage fluctuates greatly, it is recommended to use voltage stabilizer or voltage regulator.
2. The equipment belongs to the first-level protective lamps. The power cord of the product must be grounded and well grounded when used
3. This equipment shell temperature around 40°C (104°F) to 50 °C (122°F) while work, do not touch the shell.
4. The internal components of the equipment must be purchased from the manufacturer
5. Use the console control as far as possible avoid neighbors have interference sources (example: wireless walkie-talkie, high frequency source, etc.)
6. When using this product, the same signal lines within 20 meters maximum control 20 sets of the same products, beyond this range should be an additional signal amplification devices amplify the signal to use
7. Light source in use, must be controlled within the indicated the use time of light source, out of timer, please change the light source;

Color mixing system: electronic poleless dimming, RGBW poleless color mixing, rainbow effect, pixel control, circle control, full control, fixed background light color mixing, fixed background light pattern, fixed background light pixel control

Specifications:

Vol.& Fre.: AC100V~240V, 50/60HZ

Power: 350W

Safety Parameters:

Safety Protection: Automatically cut off the power supply when the machine or system fails

Ambient temperature: under 40°C (104°F)

Lighting Parameters:

Display: LCD display + 5 buttons

Program upgrade interface: Mini USB

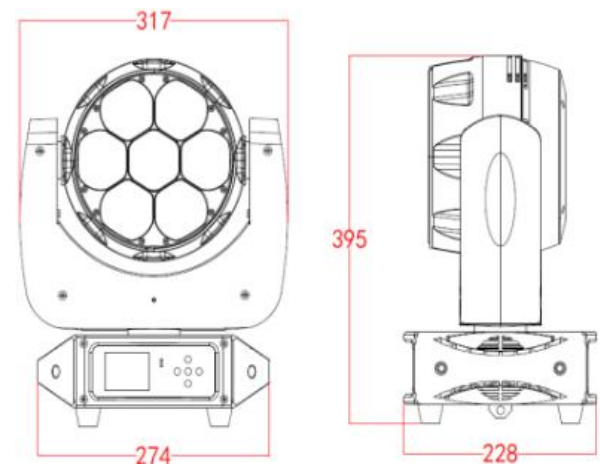
Power interface: Powercon in and out

Signal interface: 3pin+ network port or 3pin+5pin

Waterproof grade: IP20

N.W: 8.9KG

Dimension figure:



2.Display Function Information:

Main Menu	Level 2 Menu	Level 3 Munu/Parameters
Dmx Addr.	001 - 512	
Fix Set	Ch Mode	standard/extended/pattern/HSI
	Run Mode	DMX/host
	Pan Inv	Close/Open
	Tilt Inv	Close/Open
Manual	Pan	0 - 255
	Pan Fine	0 - 255
	Tilt	0 - 255
	Tilt Fine	0 - 255
	.	0 - 255
	.	0 - 255
	.	0 - 255
Fix Info	Time Info	Cur Time
		Show Time
		PowerCnt
	SenSor	Pan
		Tilt
		Zoom
		Temp
		Fan
	Temp Info	Temprat
		FanSpeed
Soft Ver	Panel	
	Motor	
Home Set	Password	0 - 255
	Pan	0 - 255
Fix Reset	Reset	Cancel/Run
	Factory settings	Cancel/Run

/	/	13	/	Shape	224 - 230	Color petal blooming effect
					231 - 237	Color petal wave effect
					238 - 244	Color petal rotation effect
					245 - 255	Colorful rotation effect
/	/	14	/	Speed	0 - 255	Graphic effect speed selection
					0	Shut
15	/	/	/	Effect	1 - 100	Effect of dream
					101 - 200	Wave effect
					201 - 255	No effect
/	/	15	/	ShapeBack	0 - 255	Graphic background color selection
/	/	16	/	BackDim	0 - 255	Background brightness from light to dark
16	37	17	10	Zoom	0 - 255	Focus
17	38	18	11	Reset/Prog	0 - 59	No effect
					60 - 99	All motors reset
					100 - 200	Start the auto program
					201 - 255	No effect

Remark:

Standard mode: Normal mode, please follow the Channel Chart for usage instruction.

Extended mode: Includes all the standard mode's channels and less commonly-used channels, please follow the Channel Chart for usage instruction.

Pattern mode: Under this mode, different designed effects and patterns are programmed in CH 7/CH13/18CH, for example, control No.7 channel can show 8 effects: Shut, Regular stroboscopic, speed from slow to fast, open, Pulse stroboscopic, the speed from slow to fast, open, Random slow stroboscopic, Random medium speed stroboscopic, Random fast stroboscopic, please follow the Channel Chart for usage instruction.

					98-104	1 led opposite angles static shape
					105-111	2 leds opposite angles static shape
					112 -118	Slot type Static pattern
					119-125	3 leds with flower shape Static pattern
					126 - 132	X shape static shape
					133 - 139	Circle shape static shape
					140 -146	Single bead flow dynamic effect
					147 - 153	2 beads flow dynamic effect
					154 - 160	2 pendulum flow dynamic effect
					161 - 167	3 pendulum flow dynamic effect
					168 - 174	3 tail flowing water dynamic effect
					175-181	3 pendulum flowing water dynamic effect
					182-188	1 opposite angle flowing water dynamic effect
					189-195	2 opposite angle flowing water dynamic effect
					196-202	1 shape flowing water dynamic effect
					203 - 209	X shape flowing water dynamic effect
					210 - 216	Wavy dynamic flow effect
					217 -223	Dynamic effect of petal blooming

Display	Language	EN/CH
	Disp Flip	Open/Close
	Disp Mode	Show/60s
Network Settings	Protocol	ArtNet/sACN
	KlingNet	Shut/Open
	Network domain mouth	000-255
	IP add.	xxx.xxx.xxx.xxx
	IP Mask	xxx.xxx.xxx.xxx

3 .Channel Chart:

St. Mo.	EX. Mo.	Pa. Mo.	HSI Mo.	Ch.Na.	Va.	Ch.Co.
1	1	1	1	Pan	0 - 255	Pan rotation
2	2	2	2	PanFine	0 - 255	Pan fine
3	3	3	3	Tilt	0 - 255	Titl rotation
4	4	4	4	TiltFine	0 - 255	Tilt fine
5	5	5	5	PTSpeed	0 - 255	Motor Speed
6	6	6	/	Dim	0 - 255	Dimming
7	7	/	/	DimFine	0 - 255	Dimmer Fine
8	8	7	6	Strobe	0 - 3	Shut
					4 - 103	Regular stroboscopic, speed from slow to fast
					104 - 107	open
					108 - 207	Pulse stroboscopic, the speed from slow to fast
					208 - 212	open
					213 - 225	Random slow stroboscopic
					226 - 238	Random medium speed stroboscopic
					239 - 251	Random fast stroboscopic

					252 - 255	Open
9	/	8	/	Red	0 - 255	Red
10	/	9	/	Green	0 - 255	Green
11	/	10	/	Blue	0 - 255	Blue
12	/	11	/	White	0 - 255	White
/	/	/	7	Hue	0 - 255	Color Scale
/	/	/	8	Saturation	0 - 255	saturability
/	/	/	9	Intensity	0 - 255	luminance
/	9	/	/	R1	0 - 255	Red Bead 1
/	10	/	/	G1	0 - 255	Green Bead 1
/	11	/	/	B1	0 - 255	Blue Bead 1
/	12	/	/	W1	0 - 255	White Bead 1
/	13	/	/	R2	0 - 255	Red Bead 2
/	14	/	/	G2	0 - 255	Green Bead 2
/	15	/	/	B2	0 - 255	Blue Bead 2
/	16	/	/	W2	0 - 255	White Bead 2
/	17	/	/	R3	0 - 255	Red Bead 3
/	18	/	/	G3	0 - 255	Green Bead 3
/	19	/	/	B3	0 - 255	Blue Bead 3
/	20	/	/	W3	0 - 255	White Bead 3
/	21	/	/	R4	0 - 255	Red Bead 4
/	22	/	/	G4	0 - 255	Green Bead 4
/	23	/	/	B4	0 - 255	Blue Bead 4
/	24	/	/	W4	0 - 255	White Bead 4
/	25	/	/	R5	0 - 255	Red Bead 5
/	26	/	/	G5	0 - 255	Green Bead 5
/	27	/	/	B5	0 - 255	Blue Bead 5
/	28	/	/	W5	0 - 255	White Bead 5
/	29	/	/	R6	0 - 255	Red Bead 6
/	30	/	/	G6	0 - 255	Green Bead 6

/	31	/	/	B6	0 - 255	Blue Bead 6
/	32	/	/	W6	0 - 255	White Bead 6
/	33	/	/	R7	0 - 255	Red Bead 7
/	34	/	/	G7	0 - 255	Green Bead 7
/	35	/	/	B7	0 - 255	Blue Bead 7
/	36	/	/	W7	0 - 255	White Bead 7
13		/	/	CCT	0 - 255	CCT adjusting
14		12	/	Macro	0 - 255	Color Macro
					0	shut
					1 - 6	Light 1 on
					7 -- 13	Light 2 on
					14 - 20	Light 3 on
					21 -27	Light 4 on
					28 - 34	Light 5 on
					35 - 41	Light 6 on
					42 - 48	Light 7 on
					49 - 55	2 leds light on, have a static shape 1
/	/	13	/	Shape	56 -62	2 leds light on, have a static shape 2
					63 - 69	2 leds light on, have a static shape 3
					70 - 76	The 3 pendulums have a static shape 1
					77 - 83	The 3pendulums have a static shape 2
					84 - 90	The 3 pendulums have a static shape 3
					91-97	The 2 pendulums have a static shape