



YELLOWRIVER
MAKE YOUR STAGE TO BE MORE EXCELLENT

700W Moving Head Profile Light (Model: YR-700Q)



User Manual

Please read these instructions carefully before use

Attention:

Any damage caused by ignoring this manual does not belong to the scope of the warranty, and the manufacturer does not bear any responsibility for all consequences and problems caused by this. Please note that the damage caused by violation of the operating procedures is not within the scope of the warranty.

1. Technical indicators:**Light source parameters:**

Light source: 700W LED module

Average life: 20,000 hours

Color temperature: 6300K

CRI: Standard mode > 70, high display mode > 90

Pure light source luminous flux: 42500LM

Control parameters:

Optical path lens: combined lens, the whole lamp linear focusing magnification 4.5° -50 °, the spot evenly full

Stroboscopic: electronic stroboscopic 1-30 times/second

Dimming: Linear dimming

Control signal: DMX512(Digital MultipleX 512)+RDM, in line with international standard light control transmission protocol, support console set address code, support DMX interface upgrade software

Control channels: 36 channels

Operation mode: console, manual, master-slave, optional DMX512 wireless signal control

Color: 7 high-gloss coating colors + white light, half-color effect, with two-way variable speed flow effect

CMY: An independent CMY color mixing system

CTO: Independent 3200K-6300K color temperature linear adjustment

Metal gobo: 8 patterns + white light, support replacement, with variable speed jitter, two-way variable speed flow effect

Glass gobo: 7 patterns + white light holes, with rotation function, index function, two-way variable speed flow effect

Effect wheel: 1 flame plate, can simulate the super dazzling sensation of moving flame effect

Prism: 8 prism +6 rows of mirrors, can be rotated independently, can be rotated bidirectional variable speed

Frost: 1 independent atomizer, 0-100% linear frost effect

Profile system: 8 motor four cutting pieces, each piece can be individually cut light, cutting light edge flat without deformation, cutting pattern can be rotated 160 degrees

Aperture: An independent optical brake with 5%-100% smooth adjustment

Scanning: horizontal 540 degrees, vertical 270 degrees, using photoelectric reset + Hall correction + zero point, end point detection of double precision reset, so that positioning more accurate, while automatic error correction, with automatic return function, smooth subdivision technology to run more smoothly

Display function: equipped with a 2.8 inch touch screen, the screen can be automatically reversed, Chinese and English switching, automatic screen off/lasting bright screen, can display the light source time, can monitor the lamp temperature, fault detection, software version information, can restore factory Settings

Light source on mode: On and off

Over temperature protection: high precision temperature control full process inspection, can automatically cut off the protection of the light source

Working parameters:

Operating voltage: AC100V-240V (50/60HZ)

Total rated power: 980W

Power factor: 0.99

Rated current: 4.32A

Maximum ambient temperature: 40 degrees

Lamp parameters:

Wire: The high pressure part uses high temperature resistant silicone wire, the weak part uses 1332 Teflon high temperature wire

Shell: high temperature resistant engineering plastic

Display: LCD display +4 mechanical buttons

Power interface: Twist brittle head, one blue (in)

Signal interface: Signal socket 3-core male + female, can plug DMX512 wireless signal receiver

IP rate: IP20

N.W. : 34.3KG



合格证

Certification

产品名称: _____
Item Name

产品型号: _____
Item NO.

检验员: _____
Inspector

检验日期: _____
Inspection Date

执行标准: GB7000 - 217-2008
Implementation Standards

本产品经检验合格, 准予出厂!

This product passed the inspection

广东雅格莱灯光音响有限公司
Guangdong YaGe Lai Lighting & Audio Limited

全国电话: 400-618-4388
Tel: 400-618-4388

保修卡

Protection to Fix Card

非常感谢您使用我们的产品

1.本产品从购买日起, 正常操作使用并未经拆修, 经保修人员确认属产品大质量问题, 一年内享受保修服务(其中光源为易耗品只享受三个月保修), 在作保正常情况下均提供免费维修。

2.保修卡在您购买时予填写, 保修卡无本公司保修章无效。产品维护时请带保修卡。

Very thank you for using our products

1. From the date of purchase, if the product is operated correctly without disassembling and fixing, at the same time, the quality problem was confirmed by our after-sale service department, we will offer maintenance service at any time under any normal situation within one year.

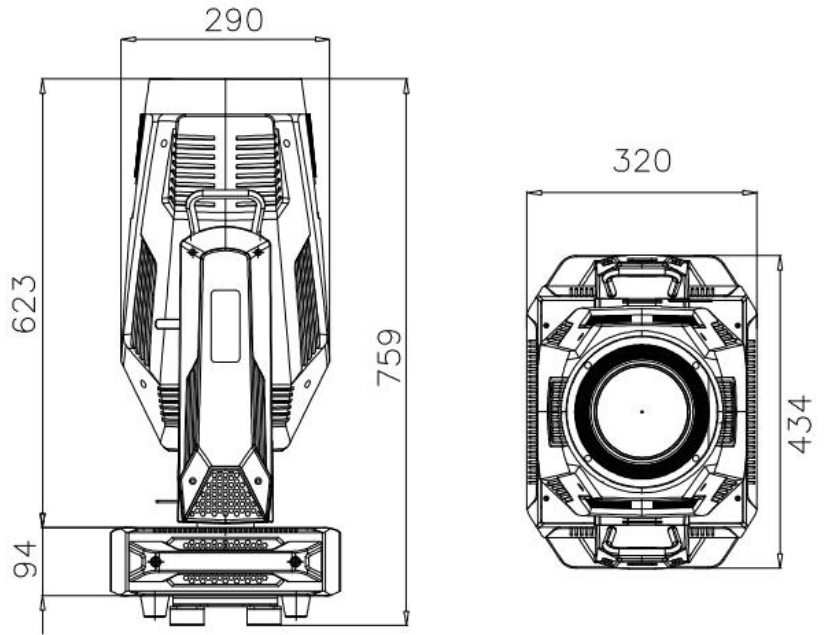
2. The warranty card should be filled in at the time of purchase. The warranty card is invalid without our company's warranty seal. Please bring the warranty card when maintaining the product.

| 顾客姓名 Customer Name | 购买日期 Purchasing Date | 产品型号 Product Model | 购买商 Purchaser |
|---------------------------|-------------------------|-----------------------|------------------|
| 保修记录: Warranty record: | | | |

广东雅格莱灯光音响有限公司
Guangdong YaGe Lai Lighting & Audio Limited

地址: 肇庆市高新区大旺大道1号肇庆万洋众创城010
Address: C10 Yunyangguochuangcheng No. 01, Dawang Avenue, Dawang Hi-tech Zone, Zhaoqing, GD, Guangdong Province

2. SIZE



3.CHANNEL

| CHANNEL | Function | Number | Description |
|---------|--------------------|---------|---------------------------------------|
| [CH1] | X-axis | 0-255 | 0-540 degrees |
| [CH2] | X-axis trim | 0-255 | 0-2 degrees |
| [CH3] | Y-axis | 0-255 | 0-270 degrees |
| [CH4] | Y-axis fine-tuning | 0-255 | 0-1 degrees |
| [CH5] | XY velocity | 0-255 | From fast to slow |
| [CH6] | stroboscopic | 0-3 | Shut out |
| | | 4-127 | From slow to fast pulse stroboscopic |
| | | 128-191 | Speed change from slow to fast |
| | | 192-251 | Random stroboscopic from slow to fast |
| | | 252-255 | Opening the light |

| | | | |
|---------|---------|-------|----------------|
| [CH7] | dimming | 0-255 | 0-100% dimming |
|---------|---------|-------|----------------|

6.Installation requirement

1. The product shall be free from corrosive vapors and gases in the operating environment and shall not contain inflammable and explosive articles.
2. Keep the distance between the light outlet direction and the subject at least more than 1 meters.
- 3.The direction of the light is an optical lens. No external force can hit the glass in the process of operation. If the lens is damaged, it can only be used after the professional technician replacing the lens of the same specifications .
4. When the outer cover of the power cord is damaged, it must be replaced with a new power cord of the same specification by relevant professional personnel before use.
- 5.When the product is hung and installed, the load bearing of the hanging device shall be at least 3 times greater than the weight of the product, and the safety rope shall be fastened on the auxiliary hanging device of the lamp, and the load bearing of the safety rope shall be more than 3 times greater than the weight of the product.
6. In the operating environment, it must be determined that the current voltage provided is within the range required by this specification well grounded.

The company reserves the right to amend this product manual without prior notice.

| | | | |
|--|--|---------|--|
| | | 216-219 | non-function |
| | | 220-235 | Reset the effect motor after 3 seconds |
| | | 236-239 | non-function |
| | | 240-255 | Reset the lights in 3 seconds |

4. Instructions and remarks



Warning !Risk of shock

The light source inside this machine should be replaced by our company or our service agent or person with similar qualification

1. Check whether the power supply and voltage are normal before use. If the voltage fluctuates greatly, it is recommended to use voltage stabilizer or voltage regulator.
2. The equipment belongs to the first-level protective lamps. The power cord of the product must be grounded and well grounded when used
3. This equipment shell temperature around 40°C (104°F) to 50 °C (122°F) while work, do not touch the shell.
4. The internal components of the equipment must be purchased from the manufacturer
5. Use the console control as far as possible avoid neighbors have interference sources
(example: wireless walkie-talkie, high frequency source, etc.)
6. When using this product, the same signal lines within 20 meters maximum control 20 sets of the same products, beyond this range should be an additional signal amplification devices amplify the signal to use
7. Light source in use, must be controlled within the indicated the use time of light source, out of timer, please change the light source;

| | | | |
|----------|--------------------------------|---------|--------------------------------|
| [CH8] | cyan | 0-255 | |
| [CH9] | Magenta | 0-255 | |
| [CH10] | yellow | 0-255 | |
| [CH11] | Temperature | 0-255 | |
| [CH12] | Colour wheel | 0-127 | Linear color |
| | | 128-135 | Color 1 |
| | | 136-143 | Color 2 |
| | | 144-151 | Color 3 |
| | | 152-159 | Color 4 |
| | | 160-167 | Color 5 |
| | | 168-175 | Color 6 |
| | | 176-183 | Color 7 |
| | | 184-191 | Color 8 |
| | | | |
| | | 223-224 | stop |
| | | 225-255 | Flow from slow to fast |
| [CH13] | CRI glass | 0-255 | |
| [CH14] | Gobo wheel | 0-9 | White light |
| | | 10-19 | Gobo 1 |
| | | 20-29 | Gobo 2 |
| | | 30-39 | Gobo 3 |
| | | 40-49 | Gobo 4 |
| | | 50-59 | Gobo 5 |
| | | 60-69 | Gobo 6 |
| | | 70-79 | Gobo 7 |
| | | 80-89 | Gobo 8 |
| | | 90-99 | Shake gobo 1 from slow to fast |
| | | 100-109 | Shake gobo 2 from slow to fast |
| | | 110-119 | Shake gobo 3 from slow to fast |
| | | 120-129 | Shake gobo 4 from slow to fast |
| 130-139 | Shake gobo 5 from slow to fast | | |

| | | | | | |
|----------|--------------------|----------|---------------------------------|---------|---------------------------------|
| | | | | | |
| | | 140-149 | Shake gobo 6 from slow to fast | | |
| | | 150-159 | Shake gobo 7 from slow to fast | | |
| | | 160-169 | Shake gobo 8 from slow to fast | | |
| | | 170-210 | Flow backward from fast to slow | | |
| | | 211-215 | stop | | |
| | | 216-255 | Flow from slow to fast | | |
| [CH15] | Rotated gobo wheel | 0-9 | White light | | |
| | | 10-19 | Gobo 1 | | |
| | | 20-29 | Gobo 2 | | |
| | | 30-39 | Gobo 3 | | |
| | | 40-49 | Gobo 4 | | |
| | | 50-59 | Gobo 5 | | |
| | | 60-69 | Gobo 6 | | |
| | | 70-79 | Gobo 7 | | |
| | | 80-89 | Shake gobo 1 from slow to fast | | |
| | | 90-99 | Shake gobo 2 from slow to fast | | |
| | | 100-109 | Shake gobo 3 from slow to fast | | |
| | | 110-119 | Shake gobo 4 from slow to fast | | |
| | | 120-129 | Shake gobo 5 from slow to fast | | |
| | | 130-139 | Shake gobo 6 from slow to fast | | |
| | | 140-149 | Shake gobo 7 from slow to fast | | |
| | | 150-190 | Flow backward from fast to slow | | |
| | | 191-192 | stop | | |
| | | 193-255 | Flow from slow to fast | | |
| | | [CH16] | Self rotated gobo wheel | 0-127 | 0-360 degrees |
| | | | | 128-190 | Flow backward from fast to slow |
| 191-192 | stop | | | | |

| | | | |
|----------|----------------------|---------|---------------------------------|
| | | 193-255 | Flow from slow to fast |
| [CH17] | Gobo effect | 0-255 | |
| [CH18] | focusing | 0-255 | From far to near |
| [CH19] | Focusing fine tuning | 0-255 | |
| [CH20] | Blow up | 0-255 | From big to small |
| [CH21] | Prism 1 | 0-127 | Empty |
| | | 128-255 | Insert prism 1 |
| [CH22] | Prism rotation | 0-127 | 0-360 degrees |
| | | 128-187 | Flow from fast to slow |
| | | 188-195 | stop |
| | | 196-255 | Flow backward from slow to fast |
| [CH23] | Prism 2 | 0-127 | Empty |
| | | 128-255 | Insert prism 2 |
| [CH24] | Prism 2 rotation | 0-127 | 0-360 degrees |
| | | 128-187 | Flow from fast to slow |
| | | 188-195 | stop |
| | | 196-255 | Flow backward from slow to fast |
| [CH25] | Frost 1 | 0-3 | Empty |
| | | 4-255 | Linear frost |
| [CH26] | Slice 1 | 0-255 | |
| [CH27] | Slice 2 | 0-255 | |
| [CH28] | Slice 3 | 0-255 | |
| [CH29] | Slice 4 | 0-255 | |
| [CH30] | Slice 5 | 0-255 | |
| [CH31] | Slice 6 | 0-255 | |
| [CH32] | Slice 7 | 0-255 | |
| [CH33] | Slice 8 | 0-255 | |
| [CH34] | Slice rotation | 0-255 | |
| [CH35] | Aperture | 0-255 | |
| [CH36] | Reset/ | 0-209 | non-function |

| | | | |
|--|----------|---------|--------------------------------|
| | function | 210-215 | Reset XY motor after 3 seconds |
|--|----------|---------|--------------------------------|